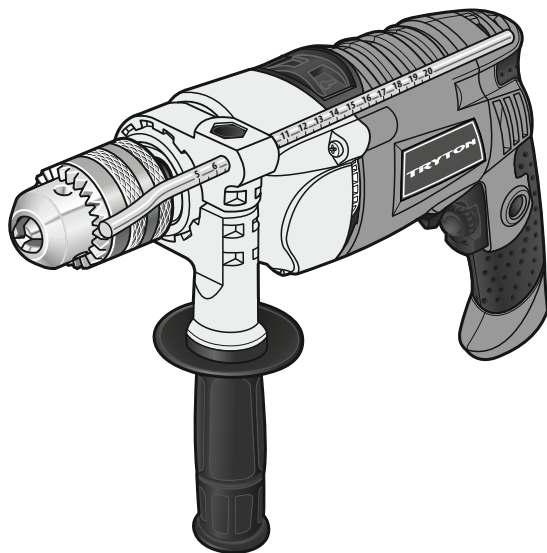


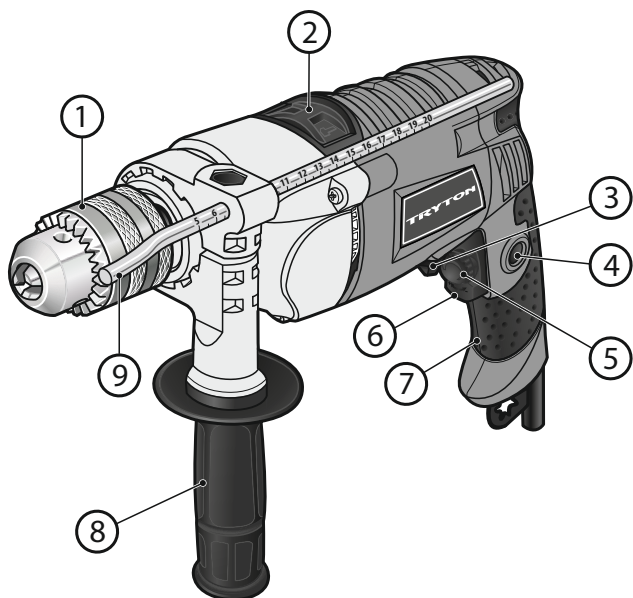
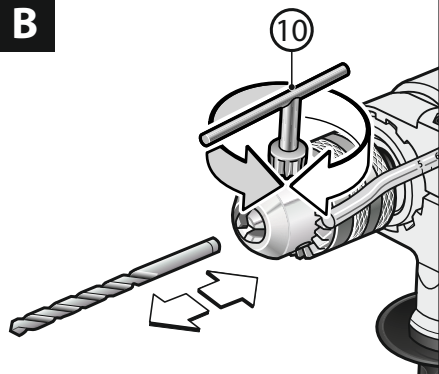
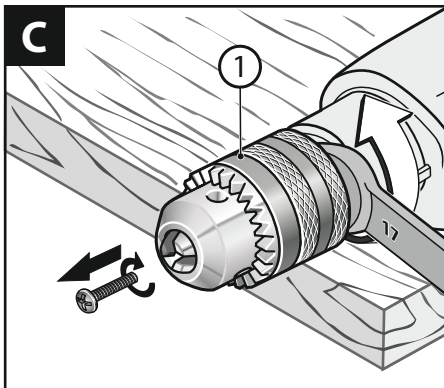
TRYTON

ELEKTRONARZĘDZIA



TDW1050

GB	Operating instruction	IMPACT DRILL	3
PL	Oryginalna instrukcja obsługi	WIERTARKA UDAROWA	7
RU	Инструкция по эксплуатации	УДАРНАЯ ДРЕЛЬ	12
RO	Instrucțiuni de folosire	BORMAȘINĂ CU ROTOPERCUTOR	18
LV	Lietošanas instrukcija	TRIECIENURBJMAŠĪNA	23
CZ	Návod na obsluhu	PŘÍKLEPOVÁ VRTAČKA	28
HU	Használati utasítások	ÜTVEFÚRÓ	33
LT	Naudojimo instrukcija	SMŪGINIS GRĘŽTUVAS.....	38


A**B****C**



BEFORE YOU START USING THE MACHINE READ THOROUGHLY THIS MANUAL.

Keep this document for future reference.



WARNING! Read all safety warnings marked with a symbol  and all operating safety instructions.

To limit the risk of fire, electric shock and injury while using the device, follow all operating safety instructions and tips provided below.

Keep all work safety instructions and tips for future reference.

In warnings provided herein the expression "power tool" means a power tool powered from the mains (with a power cord) or a battery powered power tool (cordless).



WARNING! General work safety warnings for use of the tool.

Workplace safety:

- Keep your workplace tidy and well lit. Untidiness and bad lighting result in higher accident rate.
- Do not use the power tool in explosive environments, created by flammable liquids, gases or dusts. The power tool generates sparks that can ignite dust or vapors.
- Keep children and unauthorized persons away from the place where the power tools are used. Inattention may result in losing control over your power tool.



WARNING! General warnings regarding the use of power tools.

Electric safety:

- Plugs used in power tools must match wall outlets. Never modify the plug of your power tool. Do not use any extension cables when operating a power tool with a grounding/earthing conductor (PE). Any modifications of plugs and outlets increase the risk of electric shock.
- Avoid touching earthed surfaces or grounded items like pipes, heaters, central heating radiators and refrigerators. Touching earthed or grounded surfaces increases the risk of electric shock.
- Do not expose your power tool to rain or damp environments. Water penetrating the tool increases the risk of electric shock.
- Do not damage the power cord. Never use the power cord to carry, pull the power tool and do not pull by its power cord to disconnect plug from the outlet. Keep the power cord away from sources of heat, oils, sharp edges and moving parts. Damaged or entangled power cords increase the risk of electric shock.
- When your power tool is operated outdoors use extension cords intended for outdoor use only. Using an extension cable intended for outdoor use decreases the risk of electric shock.
- It is recommended to connect the device to a mains supply equipped with a residual current device (RCD) with a rated current of 30mA or less.
- When it is unavoidable to use your power tool in a damp environment use an RCD (Residual Current Device) for protection. The use of RCDs decreases the risk of electric shock.



WARNING! General warnings regarding the use of power tools.

Personal safety:

- This equipment is not intended for use by persons (including children) disabled physically, mentally, sensorial or persons with no experience and knowledge in operating the equipment unless they operate the equipment under supervision or follow user's instructions provided by persons responsible for their safety.
- It is necessary to predict steps, watch and keep common sense when using power tools. Do not operate power tools when you are tired, under influence of drugs, medicine or alcohol. A moment of inattention while operating a power tool may result in serious personal injury.
- Use personal protective equipment (PPE). Always wear safety goggles. Wearing personal protective equipment (PPE) including a dust mask, anti-slippery footwear, a helmet and ear protection reduces personal injury.
- Avoid unexpected start up. Before connecting your power tool to the mains and/or inserting a battery make sure its power switch is in off position. Carrying your power tool with a finger on its power switch or without disconnecting it from the mains (switched on) may result in an accident.
- Before starting your power tool remove any keys/wrenches. Leaving a key/wrench in the rotating part of your power tool may result in personal injury.
- Do not lean forward too far. Always remain stable and maintain balance. It will allow you to have a better control over your power tool in unpredictable situations.
- Wear appropriate clothing. Do not wear loose clothes or jewelry. Keep your hair tied. Keep your clothes away from moving parts. Loose clothes, jewelry or long hair may be caught by moving parts.
- If your power tool allows for using an external dust extraction or collection system, make sure it is connected and used properly. Using dust collectors may reduce dust affected risks.



WARNING! General warnings regarding the use of power tools.

Use and taking care of your power tool:

- Do not overload your power tool. Use a power tool with power adjusted to work being done. An appropriately chosen power tool will allow you to work better and safer under load it has been designed for.
- Do not use a power tool when its power switch is out of order (it does not switch it on or off). Any power tool with its power switch out of order is dangerous and must be repaired.
- Always disconnect the plug from the power source and/or disconnect its battery before changing any settings, performing replacement or storage. Such preventive measures reduce the risk of accidental power tool start up.
- Keep your power tool out of reach of children and do not allow unauthorized persons to use the power tool. Power tools in hands of untrained persons can be dangerous.

- e) **Power tools require maintenance.** Check power tools for concentricity or jamming of moving parts, any cracks and all other factors affecting the power tool work safety. If any damage to the power tool is detected, it should be repaired before use. Improper power tool maintenance is a reason for many accidents.
- f) **Cutting tools should be sharp and clean.** Keeping sharp cutting edges in good condition reduces the risk of jamming and facilitates operation.
- g) **Power tools, equipment, working tools etc. should be used according to this user's manual taking into account operating conditions and the work to be done.** Misusing a power tool can result in dangerous situations.
- h) **At low temperatures and after a long brakes in operation it is recommended to turn the power tool to operate it with no load for a few minutes to provide proper grease distribution inside its driving mechanism.**
- i) **Use soft, damp (cannot be wet) cloth and soap to clean power tools.** Do not use petrol, solvents and other agents that may damage your equipment.
- j) **Power tools can be stored/carried after making sure that all moving components are locked and protected against release with original devices intended for this purpose.**
- k) **Store power tools in a dry, dust and water-protected place.**
- l) **Carry your power tool in its original packaging to provide protection against mechanical damage.**



WARNING! General warnings regarding the use of power tools.

Repair:

- a) **Warranty and post-warranty repairs of its power tools are carried out by PROFIX Service, which guarantees the best quality or repair and use of genuine spare parts.**



WARNING!

While operating power tools it is necessary to observe basic work safety rules to avoid fire, electric shock or mechanical injury.



WARNING! IMPACT DRILL, Additional Safety Warnings –

Personal Safety:

- a) **Wear ear protectors with impact drills.** Exposure to noise can cause hearing loss.
- b) **Hold power tool by insulated gripping surfaces, when performing an operation where the cutting accessory may contact hidden wiring or its own cord.** Cutting accessory contacting a "live" wire may make exposed metal parts of the power tool "live" and could give the operator an electric shock.
- c) **Use appropriate detectors to determine if utility lines are hidden in the work area or call the local utility company for assistance.** Contact with electric lines can lead to fire and electric shock. Damaging a gas line can lead to explosion. Penetrating a water line causes property damage or may cause an electric shock.
- d) **Do not work materials containing asbestos.** Asbestos is considered carcinogenic.

- e) **Keep your workplace clean and tidy.** Material mixtures are extremely dangerous. Light metal dusts can ignite or explode.
- f) **Protect the object machined.** Make sure all clamps are closed and check for excessive clearance. It is safer to fix the object machined in a fixing device or a vice than holding it in your hand.
- g) **Use auxiliary handles supplied with the tool.** Loss of control can cause personal injury.
- h) **Always hold firmly the power tool with your both hands using both the main and auxiliary handle keeping a stable position.** It is safer to control your power tool with both hands.
- i) **Turn the power tool immediately when the bit jams.** Expect intense vibrations that can result in a kickoff. The bit jams when the power tool is overloaded or is bent inside the object.
- j) **Always unplug the tool from the mains socket during breaks, prior to changing bits, during repairs, cleaning or making adjustments.** Before you put the power tool aside make sure it is completely stopped. The bit can jam resulting in losing control over the power tool.
- k) **Do not use a power tool with its power cord damaged. Do not touch the power cord when damaged; in case of damaging the power cord during operation unplug it from the mains.** Damaged power cords increase the risk of electric shock.
- l) **If the power cord is damaged, it must be replaced with a special cord available from an authorized service center.**

APPLICATIONS AND CONSTRUCTION:

The impact drill is intended for drilling holes in wood, metal, plastics and ceramics; its impact mode is used to drill in bricks, stone and concrete. The tool is equipped with an electronic control system and right-hand/left-hand operation switch and is also suitable for tightening/undoing screws and threading.

It is absolutely prohibited to use the tool in other applications.

The impact drill is powered by a single-phase electric motor and is intended for use in DIY under average load. It is not suitable for heavy duty tasks. **It is prohibited to use the tool to carry out operations that require using professional equipment.**

Each application of the tool not in line with the intended use as specified below is strictly forbidden and makes the warranty terms null and void. The manufacturer shall not be held responsible for possible consequential damage that may arise due to or in connection with such application.

Any modifications of the tool by the user relieve the manufacturer from responsibility for any damage and injuries to the user and the surroundings.

Application of the tool in accordance with the intended use also refers to its maintenance, storage, transportation and repairs.

Defective electric tools can be handed over for repairs exclusively to service workshops appointed by the tool manufacturer. The tools supplied from electric grid shall be repaired exclusively by authorized electricians.

Despite using the tool according to its intended application it is impossible to eliminate certain residual risk factors. Considering the tool construction the following risks may occur when operating the tool:

- Touching the rotating drill bit with the hand, operator's clothes or power cord.
- Burns when changing drill bits (Drill bits heat up intensely during

operation; use protective gloves when changing the drill bit).

- Throwing back machined object or its fragment.
- Bending/breaking the drill.

■ The set includes

- Impact drill - 1 piece
- Auxiliary handle - 1 piece
- Depth stop - 1 piece
- Chuck key - 1 piece
- User's manual - 1 piece
- Warranty card - 1 piece

■ Device components (see Fig. A,B,C)

The numbering of device components refers to graphics presented on page 2 of the user's manual:

1. Drilling chuck with a toothed ring
2. Operation mode switch **drill / impact drill**
3. Rotation direction switch
4. Switch lock
5. Rotational speed control
6. Switch
7. Main handle
8. Auxiliary handle
9. Depth stop
10. Key for the drilling chuck with a toothed ring

SPECIFICATIONS:

MODEL	TDW1050
Voltage	220-230 V
Frequency	50 Hz
Power consumption	1050 W
No load speed	0-2800 rpm
Drill chuck (keyed)	13 mm
Maximum hole diameter	steel - 10 mm
	concrete - 13 mm
	wood - 25 mm
Weight (with no accessories)	3,0 kg
Equipment Class	□/II
Ingress protection	IP20
Sound pressure level (LpA)	92,3 dB(A)
Sound power level (LwA)	103,3 dB(A)
Vibration level according to valid standard EN 60745-2-1:2010	
No impact drilling (metal), main handle a_{hb}	3,914 m/s ²
Impact drilling (concrete) a_{hb}	14,953 m/s ²
tolerance of measurements K=1,5 m/s ²	

The vibration level value given refers to basic application of the tool. If the tool is used for other applications or with other tools, or if it is not maintained properly, the vibration level may differ from the values given. The above-mentioned causes may lead to higher exposure to vibrations during the whole work time.

One must implement additional safety measures to protect the

operators from exposure to vibrations, such as maintenance of the electric tool and work tools, assurance of proper hand temperature, or determination of the sequence of work operations.

BEFORE YOU START:

1. Make sure that power supply parameters meet the requirements provided on the drill nameplate.
2. Make sure the drill switch is in off position and switch lock (4) is released. Do not put the device aside when the lock is on. To release the lock press the switch (6) again.
3. The auxiliary handle (8) can be installed by inserting the handle clamping ring onto the chuck and locking it by tightening the handle. The depth stop (9) can be installed by inserting it into the hole of the auxiliary handle and tightening the auxiliary handle to lock it.
4. When using an extension cord make sure its parameters and cable cross-section meet the drill power requirements. Extension cords should be as short as possible. When in use extension cords must be fully uncoiled.

OPERATION:

■ Selecting a drill bit

When drilling in concrete, bricks, stone masonry bits must be used. When drilling holes in metal, plastics, wood (hole diameters up to 6mm) use metal bits.

When drilling holes with a diameter exceeding 6 mm in wood, use wood drill bits.

■ Fixing a drill bit

Insert a drill bit into the loosened chuck (1) and fix it by tightening jaws by turning the outer ring clockwise with the key (10) inserted one by another into 3 holes provided in the chuck body (see Fig.: B).


■ Setting the drilling depth

The depth stop (9) can be used to set drilling depth.


Extend the drill stop to set the distance between depth stop tip and drill bit tip that equals to the drilling depth required.

■ Selecting an operation mode

• Drilling and tightening/undoing screws:

Set the operation mode switch (2) to position «drill» marked with symbol - .

• Impact drilling:

Set the operation mode switch (2) to position «impact drill» marked with symbol - .

NOTE: Never change the operation mode when the drill chuck (1) rotates.

■ Changing the rotation direction

Move the rotation direction lever (3) to a selected position until you feel resistance. Symbols on the housing near the switch: **R** - clockwise rotation, **L** - counterclockwise rotation.

NOTE: Never change the rotation direction when the drill chuck (1) rotates.

■ Turning on/off

To turn the power tool on press its switch (6) button and keep it pressed.

To lock the switch in on position press the lock (4).

To turn the power tool off just release the switch (6) button or, when it is locked with switch lock (4), press it for a moment and then release it.

■ Controlling the speed

By increasing or decreasing the pressure on switch (6) the user can control the rotational speed steplessly.

Low pressure on the switch (6) results in low speed. Increasing the pressure raises the speed.

■ Setting the speed

Using rotational speed control (5) the user can set a desired speed. It can be done during operation.

Speed depends on the material drilled and working conditions and can be determined by performing a test.

CHANGING THE DRILL CHUCK:



NOTE! Prior to any work on the power tool unplug it from the mains socket.

The chuck installed on a right-hand/ left-hand rotating drill is fixed with a left-hand thread bolt. Prior to changing the drill chuck, undo the screw using a Phillips type (Ph2) screwdriver inserting it from the front through the chuck opening.

A left-hand thread screw can be undone only by turning it clockwise.

To remove the chuck (1) put the drill on a stable surface, e.g. on a work bench, apply a two-hole spanner (17 mm) to notches at the spindle. Hold the chuck with one hand and turn the spanner counterclockwise with the other until the chuck is completely removed (see Fig. C).

The drill chuck installation should be carried out in the opposite order.

No dirt is allowed on the chuck seat and spindle thread.

TIPS REGARDING OPERATION:

- After a longer operation at low speeds run the power tool at its maximum speed with no load for about 3 minutes to cool it down.
- To drill holes in ceramic tiles set the operation mode switch (2) to position «drill». Once the hole in the ceramic tile is ready, set the operation mode switch to position «impact drill» and continue drilling in this mode.
- When drilling in concrete, stone or walls hard alloy drill bits should be used.
- When drilling in metal use sharp metal drill bits only.

NOTE: Proper drill bit selection reduces vibrations during drilling, which increases drilling efficiency considerably.

- When tightening/undoing screws place the bit onto the screw/nut when the chuck is stopped.

STORAGE AND MAINTENANCE:

Generally, this power tool does not require any special maintenance. Store the machine in a place away from children, keep it clean and protect from humidity and dust. Storage conditions should exclude any mechanical damage and weathering.

After drilling in concrete, in intensely dusty environments it is recommended to remove dust from ventilation openings and the drill chuck with a stream of compressed air. It will protect bearings and

remove the dust obstructing motor cooling air supply.

TRANSPORTATION:

The drill should be transported and stored in a box providing protection against humidity, dust and tiny objects penetration; special care should be taken to protect ventilation inlets. Small objects that get into the device can damage the motor.

TROUBLESHOOTING GUIDE (TYPICAL PROBLEMS):

The drill does not work:

- check whether the power cord is properly connected and check fuses.

The drill works with interruptions or generates sparks:

- check and replace carbon brushes.

NOTE! Carbon brushes can be replaced only by competent electricians.

- If the power tool does not work despite being supplied from a proper power source, have the tool repaired sending it to the service center. The addresses are provided in the warranty card.

MANUFACTURER:

PROFIX Ltd.,
34 Marywilka Street,
03-228 Warsaw, POLAND.

PROTECTION OF THE ENVIRONMENT:



NOTE: The symbol nearby denotes that old equipment must never be thrown away together with other waste (with the penalty of a fine). Hazardous components of electronic equipment may adversely affect the natural environment and human health.

Each household may contribute to the recovery and reuse (recycling) of old machinery and equipment. Both in Poland and Europe a system for recovery of used equipment either exists or is being created. The system obliges all organizations that sell such equipment to collect the used machinery and appliances. Moreover, general purpose collecting points for such equipment are available.

PICTOGRAMS:

Explanation of the icons located on the nominal plate and the information tags.



«Read this instruction before switching on the power supply and starting the work»



«Always wear safety goggles»



«Wear hearing protection»



«Wear a dust mask»



The policy of the PROFIX company consists in permanent improvements of the offered products and therefore the company reserves the right to make amendments to the product specification without a prior notice. The images included into the operation manual are only of the exemplary nature and may slightly differ from actual appearance of the device purchased. This instruction manual is protected by copyright. Copying it without the written consent of PROFIX Co. Ltd. is prohibited.



PRZED PRZYSTĄPIENIEM DO UŻYTKOWANIA NALEŻY ZAPOZNAĆ SIĘ NINIEJSZĄ INSTRUKCJĄ.

Zachowaj instrukcję do ewentualnego przyszłego wykorzystania.



OSTRZEŻENIE! Należy przeczytać wszystkie ostrzeżenia dotyczące bezpieczeństwa użytkowania oznaczone symbolem ⚠ i wszystkie wskazówki dotyczące bezpieczeństwa użytkowania.

Nieprzestrzeganie podanych niżej ostrzeżeń dotyczących bezpieczeństwa i wskazówek dotyczących bezpieczeństwa może być przyczyną porażenia prądem elektrycznym, pożaru i/lub poważnych obrażeń.

Zachowaj wszystkie ostrzeżenia i wskazówki dotyczące bezpieczeństwa, aby móc skorzystać z nich w przyszłości.

W podanych niżej ostrzeżeniach wyrażenie „elektronarzędzie” oznacza elektronarzędzie zasilane z sieci (z przewodem zasilającym) lub elektronarzędzie zasilane z akumulatora (bezwprzewodowe).



OSTRZEŻENIE! Ogólne ostrzeżenia dotyczące bezpieczeństwa użytkowania narzędzia.

Bezpieczeństwo w miejscu pracy:

- W miejscu pracy należy utrzymywać porządek i dobre oświetlenie. Nieporządek i złe oświetlenie przyczynia się do wypadków.
- Nie należy używać elektronarzędzia w środowiskach wybuchowych, tworzonych przez łatwo palne ciecze, gazy lub pyły. Elektronarzędzie wytwarza iskry, które mogą zapalić pył lub opary.
- Nie należy dopuszczać dzieci i obserwatorów do miejsc, w których używa się elektronarzędzi. Rozproszenie uwagi może spowodować utratę kontroli nad elektronarzędziem.



OSTRZEŻENIE! Ogólne ostrzeżenia dotyczące bezpieczeństwa użytkowania narzędzia.

Bezpieczeństwo elektryczne:

- Wtyczki elektronarzędzi muszą pasować do gniazdek. Nigdy w żaden sposób nie należy przerabiać wtyczki. Nie należy używać żadnych przedłużaczy w przypadku elektronarzędzi mających przewód z żyłą uziemienia ochronnego. Brak przerobek we wtyczkach i gniazdkach wtyczkowych zmniejsza ryzyko porażenia prądem elektrycznym.
- Należy unikać dotykania powierzchni uziemionych lub zwartych z masą, takich jak rury, ogrzewacze, grzejniki centralnego ogrzewania i chłodziarki. W przypadku dotknięcia części uziemionych lub zwartych z masą, wzrasta ryzyko porażenia prądem elektrycznym.
- Nie należy narażać elektronarzędzi na działanie deszczu lub warunków wilgotnych. W przypadku przedostania się do elektronarzędzia wody, wzrasta ryzyko porażenia prądem elektrycznym.
- Nie należy nadwierać przewodów przyłączeniowych. Nigdy nie należy używać przewodu przyłączeniowego do przenoszenia, ciągnięcia elektronarzędzia lub wyciągania wtyczki z gniazdka. Należy trzymać przewód przyłączeniowy z

daleka od źródeł ciepła, olejów, ostrych krawędzi lub ruchomych części. Uszkodzone lub zaplątane przewody przyłączeniowe zwiększają ryzyko porażenia prądem elektrycznym.

- W przypadku, gdy elektronarzędzie używa się na wolnym powietrzu, przewody przyłączeniowe należy przedłużać przedłużaczami przeznaczonymi do pracy na wolnym powietrzu. Używanie przedłużacza przeznaczonego do pracy na wolnym powietrzu zmniejsza ryzyko porażenia prądem elektrycznym.
- Zaleca się podłączenie urządzenia do sieci elektrycznej wyposażonej w wyłącznik różnicowo-prądowy (RCD) o prądzie wyciągnięcia 30mA lub mniejszym.
- W przypadku, gdy używanie elektronarzędzia w środowisku wilgotnym jest nieuniknione, jako ochronę przed napięciem zasilania należy stosować urządzenie różnicowoprądowe (RCD). Zastosowanie RCD zmniejsza ryzyko porażenia prądem elektrycznym.



OSTRZEŻENIE! Ogólne ostrzeżenia dotyczące bezpieczeństwa użytkowania narzędzia.

Bezpieczeństwo osobiste:

- Niniejszy sprzęt nie jest przeznaczony do użytkowania przez osoby (w tym dzieci) o ograniczonej zdolności fizycznej, czuciowej lub psychicznej, lub osoby nie mające doświadczenia lub znajomości sprzętu, chyba że odbywa się to pod nadzorem lub zgodnie z instrukcją użytkowania sprzętu, przekazanej przez osoby odpowiadające za ich bezpieczeństwo.
- Należy być przewidującym, obserwować co się robi i zachowywać rozsądek podczas używania elektronarzędzia. Nie należy używać elektronarzędzia, gdy jest się zmęczonym lub pod wpływem narkotyków, alkoholu lub leków. Chwila nieuwagi podczas pracy elektronarzędziem może spowodować poważne osobiste obrażenia.
- Należy stosować wyposażenie ochronne. Należy zawsze zakładać okulary ochronne. Używanie w odpowiednich warunkach wyposażenia ochronnego, takiego jak maska przeciwpyłowa, obuwie antypoślizgowe, kask lub ochronniki słuchu, zmniejsza osobiste obrażenia.
- Należy unikać niezamierzonego rozruchu. Przed przyłączeniem do źródła zasilania i/lub przed podłączeniem akumulatora oraz zanim podniesie się lub przeniesie się narzędzie należy upewnić się, że wyłącznik elektronarzędzia jest w pozycji wyłączony. Przenoszenie elektronarzędzia z palcem na wyłączniku lub przyłączenie elektronarzędzia do sieci zasilającej przy załączonym wyłączniku może być przyczyną wypadku.
- Przed uruchomieniem elektronarzędzia należy usunąć wszystkie klucze. Pozostawienie klucza w obracającej się części elektronarzędzia może spowodować osobiste obrażenia.
- Nie należy wychylać się za daleko. Należy cały czas stać pewnie i zachować równowagę. Umożliwi to lepszą kontrolę nad elektronarzędziem w sytuacjach nieprzewidywalnych.
- Należy odpowiednio się ubierać. Nie należy nosić luźnego ubrania ani biżuterii. Należy utrzymywać swoje włosy,

ubranie i rękawiczki z dala od części ruchomych. Luźne ubrania, biżuteria lub długie włosy mogą zostać zacepione przez części ruchome.

- h) Jeżeli urządzenia są przystosowane do przyłączenia zewnętrznego odciągu pyłu i pochłaniacza pyłu, należy upewnić się, że są one przyłączone i prawidłowo użyte. Użycie pochłaniacza pyłu może zredukować zagrożenia zależne od zapylenia.



OSTRZEŻENIE! Ogólne ostrzeżenia dotyczące bezpieczeństwa użytkowania narzędzia.

Użytkowanie i troska o elektronarzędzie:

- a) Nie należy elektronarzędzia przeciążać. Należy stosować elektronarzędzie o mocy odpowiedniej do wykonywanej pracy. Właściwe elektronarzędzie umożliwi pracę lepszą i bezpieczniejszą przy obciążeniu, na jakie zostało zaprojektowane.
- b) Nie należy używać elektronarzędzia, jeżeli łącznik go nie załącza i nie wyłącza. Każde elektronarzędzie, którego nie można załączać lub wyłączać łącznikiem, jest niebezpieczne i musi zostać naprawione.
- c) Należy odłączać wtyczkę ze źródła zasilania elektronarzędzia i/lub odłączyć akumulator przed wykonaniem każdej nastawy, wymiany części lub magazynowaniem. Takie zapobiegawcze środki bezpieczeństwa redukują ryzyko przypadkowego rozruchu elektronarzędzia.
- d) Nieużywane elektronarzędzie należy przechowywać poza zasięgiem dzieci i nie należy pozwalać osobom niezaznajomionym z elektronarzędziem lub niniejszą instrukcją na używanie elektronarzędzia. Elektronarzędzia są niebezpieczne w rękach nieprzeszkolonych użytkowników.
- e) Elektronarzędzia należy konserwować. Należy sprawdzać współosiowość lub zakleszczenie się części ruchomych, pęknięcia części i wszystkie inne czynniki, które mogą mieć wpływ na pracę elektronarzędzia. Jeżeli stwierdzi się uszkodzenia, należy elektronarzędzie przed użyciem naprawić. Przyczyną wielu wypadków jest niefachowy sposób konserwacji elektronarzędzia.
- f) Narzędzia tnące powinny być ostre i czyste. Odpowiednie utrzymywanie ostrych krawędzi narzędzi tnących zmniejsza prawdopodobieństwo zakleszczenia i ułatwia obsługę.
- g) Elektronarzędzie, wyposażenie, narzędzia robocze itp. należy stosować zgodnie z niniejszą instrukcją, biorąc pod uwagę warunki pracy i rodzaj pracy do wykonania. Używanie elektronarzędzia w sposób, do jakiego nie jest przewidziane, może spowodować niebezpieczne sytuacje.
- h) W niskich temperaturach, lub po dłuższym okresie nie użytkowania, zalecane jest włączenie elektronarzędzia bez obciążenia na okres kilku minut w celu właściwego rozprowadzenia smaru w mechanizmie napędu.
- i) Do czyszczenia elektronarzędzi stosować miękką, wilgotną (nie mokra) szmatkę i mydło. Nie stosować benzyny, rozpuszczalników i innych środków mogących uszkodzić urządzenie.
- j) Elektronarzędzie należy przechowywać/transportować po upewnieniu się, że wszystkie jego elementy ruchome są zablokowane i zabezpieczone przed odblokowaniem za

pomocą oryginalnych elementów do tego przeznaczonych.

- k) Elektronarzędzie należy przechowywać w miejscu suchym, zabezpieczone przed kurzem i wnikaniem wilgoci.
- l) Transportowanie elektronarzędzia powinno odbywać się w opakowaniu oryginalnym, zabezpieczającym przed uszkodzeniami mechanicznymi.



OSTRZEŻENIE! Ogólne ostrzeżenia dotyczące bezpieczeństwa użytkowania narzędzia.

Naprawa:

- a) Naprawy gwarancyjne i pogwarancyjne swoich elektronarzędzi wykonuje Serwis PROFIX, co gwarantuje najwyższą jakość napraw oraz stosowanie oryginalnych części zamiennych.



OSTRZEŻENIE! Wiertarka udarowa, ostrzeżenia dotyczące bezpieczeństwa –

Bezpieczeństwo osobiste:

- a) Zakładaj ochronniki słuchu podczas pracy wiertarką udarową. Narażenie się na hałas może spowodować utratę słuchu.
- b) Podczas wykonywania prac, przy których narzędzie robocze mogłoby natrafić na ukryte przewody elektryczne lub na własny przewód zasilający, elektronarzędzie należy trzymać za izolowane powierzchnie rękojeści. Kontakt z przewodami sieci zasilającej może spowodować przekazanie napięcia na części metalowe elektronarzędzia, co mogłoby spowodować porażenie prądem elektrycznym.
- c) Należy używać odpowiednich przyrządów poszukiwawczych w celu lokalizacji ukrytych przewodów zasilających, lub poprosić o pomoc administrację obiektu. Kontakt z przewodami znajdującymi się pod napięciem może doprowadzić do powstania pożaru i porażenia elektrycznego. Uszkodzenie przewodu gazowego może doprowadzić do wybuchu. Wniknięcie do przewodu wodociągowego powoduje szkody rzeczowe.
- d) Nie należy obrabiać materiału zawierającego azbest. Azbest powoduje chorobę nowotworową.
- e) Miejsce pracy należy utrzymywać w czystości. Mieszanki materiałów są szczególnie niebezpieczne. Pył z metalu lekkiego może się zapalić lub wybuchnąć.
- f) Należy zabezpieczyć obrabiany przedmiot. Upewnij się, czy wszystkie zaciski mocujące są ściśnięte i zweryfikować, ażeby nie było przesadnego luzu. Zamocowanie obrabianego przedmiotu w urządzeniu mocującym lub imadle jest bezpieczniejsze niż trzymanie go w ręku.
- g) Narzędzia używać z dodatkowymi rękojeściami dostarczonymi z narzędziem. Utrata kontroli może spowodować osobiste obrażenia operatora.
- h) Elektronarzędzie podczas pracy należy mocno trzymać oburącz za rękojeść główną i rękojeść pomocniczą oraz dbać o stabilną pozycję. Elektronarzędzie prowadzone jest bezpiecznie w obydwu rękach.
- i) Należy natychmiast wyłączyć elektronarzędzie, gdy zablokuje się używane narzędzie. Należy być przygotowanym na wysokie wibracje, które powodują odrzut. Używane narzędzie zablokowane się, gdy: elektronarzędzie jest przeciążone, lub gdy skrzywi się w obrabianym przedmiocie.

- j) **Należy odłączyć maszynę od sieci elektrycznej podczas przerwy w pracy, podczas wymiany nasadek, remontu, czyszczenia lub regulacji. Przed odłożeniem elektronarzędzia, należy poczekać, aż znajdzie się ono w bezruchu. Narzędzie robocze może się zablokować i doprowadzić do utraty kontroli nad elektronarzędziem.**
- k) **Nie wolno używać elektronarzędzia z uszkodzonym przewodem zasilającym. Nie należy dotykać uszkodzonego przewodu; w przypadku uszkodzenia przewodu podczas pracy, należy wyciągnąć wtyczkę z gniazda. Uszkodzone przewody podwyższają ryzyko porażenia prądem.**
- l) **Jeżeli przewód przyłączeniowy zasilający elektronarzędzie jest uszkodzony, to musi zostać zastąpiony przewodem przyłączeniowym dostępnym w sieci serwisu.**

PRZEZNACZENIE I BUDOWA WIERTARKI:

Wiertarka udarowa jest przeznaczona do wiercenia otworów w drewnie, metalu, tworzywach sztucznych, ceramice, do wiercenia z udarem w cegle, kamieniu i betonie. Urządzenie jest wyposażone w system regulacji elektronicznej i bieg w prawo/lewo i nadaje się również do wkręcania/wykręcania śrub i gwintowania.

Kategorycznie wyklucza się wykorzystanie urządzenia do wszelkich innych celów.

Wiertarka udarowa jest napędzana silnikiem jednofazowym i przeznaczona się do robót domowych o przeciętnej intensywności. Nie nadaje się do długotrwałych robót w ciężkich warunkach. **Nie wolno wykorzystywać narzędzia do wykonywania prac wymagających zastosowania profesjonalnego urządzenia.**

Każde użycie elektronarzędzia niezgodne z przeznaczeniem podanym wyżej jest zabronione i powoduje utratę gwarancji oraz brak odpowiedzialności producenta za powstałe w wyniku tego szkody.

Jakiegokolwiek modyfikacje urządzenia dokonane przez użytkownika zwalniają producenta z odpowiedzialności za uszkodzenia i szkody wyrządzone użytkownikowi i otoczeniu.

Poprawne użytkowanie elektronarzędzia dotyczy także konserwacji, składowania, transportu i napraw.

Elektronarzędzie może być naprawiane wyłącznie w punktach serwisowych wyznaczonych przez producenta. Urządzenia zasilane z sieci powinny być naprawiane tylko przez osoby uprawnione.

Pomimo zgodnego z przeznaczeniem stosowania nie można całkowicie wyeliminować określonych czynników ryzyka resztkowego. Ze względu na konstrukcję i budowę maszyny mogą wystąpić następujące niebezpieczeństwa:

- Dotknięcie obracającego się wiertła w trakcie pracy ręką lub ubraniem operatora, przewodem zasilającym.
- Oparzenie przy wymianie wiertła. (Podczas pracy wiertło bardzo się rozgrzewa, żeby uniknąć oparzenia przy jego wymianie należy stosować rękawice ochronne).
- Odrzucenie przedmiotu obrabianego lub części przedmiotu obrabianego.
- Skrzywienie/złamanie wiertła.

■ Kompletacja

- Wiertarka udarowa - 1 szt.
- Rękojeść pomocnicza - 1 szt.
- Ogranicznik głębokości wiercenia - 1 szt.

- Klucz do uchwytu wiertarskiego z wieniem zębatym - 1 szt.
- Instrukcja obsługi - 1 szt.
- Karta gwarancyjna - 1 szt.

■ Elementy urządzenia (patrz rys. A, B, C)

Numeracja elementów urządzenia odnosi się do przedstawienia graficznego umieszczonego na stronie 2 instrukcji obsługi:

1. Uchwyt wiertarski z wieniem zębatym
2. Przełącznik trybu pracy **wiercenie bez udaru / z udarem**
3. Przełącznik kierunku obrotów
4. Blokada włącznika
5. Pokrętko regulacji prędkości obrotowej
6. Włącznik
7. Rękojeść główna
8. Rękojeść pomocnicza
9. Ogranicznik głębokości wiercenia
10. Klucz do uchwytu wiertarskiego z wieniem zębatym

DANE TECHNICZNE:

MODEL	TDW1050
Napięcie zasilania	220-230 V
Częstotliwość zasilania	50 Hz
Moc pobierana	1050 W
Prędkość obrotowa bez obciążenia	0-2800 /min
Uchwyt wiertarski (kluczykowy)	13 mm
Maksymalna średnica wiercenia	stal - 10 mm
	beton - 13 mm
	drewno - 25 mm
Masa (bez akcesoriów)	3,0 kg
Klasa narzędzia	□/II
Stopień ochrony	IP20
Poziom ciśnienia akustycznego LpA	92,3 dB(A)
Poziom mocy akustycznej LwA	103,3 dB(A)
Poziom wibracji wg normy EN 60745-2-1/A11:07	
wiercenie bez udaru (metal), rękojeść główna a_{hb}	3,914 m/s ²
wiercenie z udarem (beton) a_{hb}	14,953 m/s ²
tolerancja pomiaru K=1,5 m/s ²	

Podany poziom drgań jest reprezentatywny dla podstawowych zastosowań elektronarzędzia. Jeżeli elektronarzędzie użyte zostanie do innych zastosowań lub z innymi narzędziami roboczymi, a także jeśli nie będzie wystarczająco konserwowane, poziom wibracji może odbiegać od podanego.

Podane powyżej przyczyny mogą spowodować podwyższenie ekspozycji na wibrację podczas całego czasu pracy. Należy wprowadzić dodatkowe środki bezpieczeństwa, mające na celu ochronę operatora przed skutkami ekspozycji na wibracje, np.: konserwacja elektronarzędzia i narzędzi roboczych, zabezpieczenie odpowiedniej temperatury rąk, ustalenie kolejności operacji roboczych.

PRZED PRZYSTĄPIENIEM DO PRACY:

1. Upewnić się, że źródło zasilania ma parametry odpowiadające

parametrom wiertarki podanym na tabliczce znamionowej.

- Upewnić się że włącznik wiertarki jest w pozycji wyłączenia i blokada włącznika (4) jest zwolniona. Nie wolno odkładać pracującej wiertarki gdy blokada jest włączona. Wyłączenie blokady następuje przez ponowne wciśnięcie włącznika (6).
- Rękojeść pomocniczą (8) mocuje się przekładając obejmę rękojeści przez uchwyt wiertarki i blokuje przez dokręcenie rączką. Ogranicznik głębokości wiercenia (9) należy wsunąć w otwór w rękojeści pomocniczej i zablokować przez dokręcenie rączki rękojeści pomocniczej.
- W przypadku pracy z przedłużaczem należy upewnić się że parametry przedłużacza, przekroje przewodów, odpowiadają parametrom wiertarki. Zaleca się stosowanie jak najkrótszych przedłużaczy. Przedłużacz powinien być całkowicie rozwinięty.

W TRAKCIE PRACY:

■ Dobór wiertła

Przy wierceniu w betonie, cegle, kamieniu stosować wiertła do betonu. Do wiercenia w metalu, tworzywach sztucznych, drewnie (przy średnicy otworu do 6 mm) stosować wiertła do metalu.

Do wiercenia w drewnie otworów o średnicy powyżej 6 mm stosować wiertła do drewna.

■ Mocowanie wiertła

Wsunąć wiertło do oporu do poluzowanego uchwytu wiertarskiego (1) i unieruchomić je przez dociśnięcie szczęk obrotowym pierścieniem zewnętrznym za pomocą klucza (10), korzystając kolejno z trzech otworów w korpusie uchwytu (patrz rys. B).

■ Nastawienie głębokości wiercenia

Ogranicznikiem głębokości (9) można ustawić głębokość wiercenia.


Ogranicznik głębokości wyciągnąć tak daleko, by odległość pomiędzy końcówką wiertła, a końcówką ogranicznika głębokości wynosiła tyle co pożądana głębokość wiercenia.

■ Przelączanie trybu pracy

• Wiercenie i wkręcanie/wykręcanie śrub:

Przeszawić przełącznik trybu pracy (2) w położenie «wiercenie» oznaczone symbolem - .

• Wiercenie z udarem:

Przeszawić przełącznik trybu pracy (2) w położenie «wiercenie z udarem» oznaczone symbolem - .

UWAGA: *Nigdy nie przelączać trybu pracy, gdy uchwyt wiertarski (1) jest w ruchu.*

■ Zmiana kierunku obrotów

Przesunąć przełącznik kierunku obrotów (3) do oporu w odpowiednie położenie. Oznaczenia na obudowie przy włączniku: R - obroty zgodne z ruchem wskazówek zegara, L - obroty przeciwne ruchowi wskazówek zegara.

UWAGA: *Nigdy nie przelączać kierunku obrotów, gdy uchwyt wiertarski (1) jest w ruchu.*

■ Włączanie/wyłączenie

W celu włączenia elektronarzędzia należy nacisnąć włącznik (6) i trzymać wciśnięty.

Aby zablokować włącznik w pozycji włączony należy wcisnąć blokadę włącznika (4).

W celu wyłączenia elektronarzędzia, należy włącznik (6) zwolnić, lub gdy jest on unieruchomiony przyciskiem blokady (4), nacisnąć go krótko i następnie zwolnić.

■ Regulowanie prędkości obrotowej

Przez zwiększenie lub zmniejszenie nacisku na włącznik (6) można bezstopniowo regulować prędkość obrotową.

Lekki nacisk na włącznik (6) powoduje małą prędkość obrotową. Zwiększony nacisk podwyższa prędkość obrotową.

■ Nastawianie prędkości obrotowej

Pokrętle regulacji prędkości obrotowej (5) można nastawić wymaganą prędkość obrotową. Można to zrobić również podczas pracy.

Wymagana prędkość obrotowa zależna jest od obrabianego materiału i warunków pracy i można ją ustalić przeprowadzając próbę praktyczną.

WYMIANA UCHWYTU WIERTARSKIEGO:



UWAGA: *Przed wszystkimi pracami przy elektronarzędziu należy wyciągnąć wtyczkę z gniazda.*

Uchwyt wiertarski w wiertarce o ruchu obrotowym w prawo/w lewo jest unieruchomiony przy pomocy śruby z lewym gwintem. Przed wymianą uchwytu wiertarskiego konieczne jest wykręcenie tej śruby za pomocą odpowiedniego wkrętaka krzyżowego (PH2) od przodu przez otwór uchwytu wiertarskiego.

Śrubę z gwintem lewym można zwolnić tylko przez obracanie w prawo.

Aby zdemontować uchwyt wiertarski (1) należy położyć wiertarkę na stabilnym podłożu, np. na ławie roboczej i przyłożyć klucz widełkowy (17 mm) do nacięcia, znajdujących się na wrzecionie. Przytrzymać uchwyt jedną ręką, a drugą przekręcać klucz w kierunku przeciwnym do ruchu wskazówek zegara, aż do całkowitego wykręcenia uchwytu (patrz. rys. C).

Montaż uchwytu wiertarskiego odbywa się w odwrotnej kolejności.

Na gnieździe uchwytu i gwincie wrzeciona nie powinny znajdować się żadne zanieczyszczenia.

WSKAZÓWKI DOTYCZĄCE PRACY:

- Po trwającej dłużej pracy z małą prędkością obrotową należy uruchomić elektronarzędzie w celu ochłodzenia przez ok. 3 minuty przy maksymalnej prędkości obrotowej bez obciążenia.
- Aby wierceć otwory w płytkach ceramicznych należy przesławić przełącznik trybu pracy (2) w położenie «wiercenie». Po przewierceniu otworu w płytce ceramicznej należy przesławić przełącznik trybu pracy w położenie «wiercenie z udarem» i pracować dalej z udarem.
- Przy pracach w betonie, kamieniu i murze należy używać wiertła ze stopu twardego.
- Do wiercenia w metalu należy używać tylko ostrych wiertel do metalu.

UWAGA: *Dobór odpowiedniego wiertła do każdego rodzaju pracy zapewni zmniejszenie drgań podczas wiercenia, co w znacznym stopniu zwiększa wydajność wiercenia.*

- Przy wkręcaniu /wykręcaniu śrub /nakrętek przykładać końcówkę roboczą do śruby /nakrętki gdy uchwyt wiertarski nie obraca się.

PRZECHOWYWANIE I KONSERWACJA:

Maszyna w zasadzie nie wymaga specjalnych zabiegów konserwacyjnych. Maszynę należy przechowywać w miejscu, niedostępnym dla dzieci, utrzymywać w stanie czystości, chronić przed wilgocią i zapyleniem. Warunki przechowywania powinny wykluczać możliwość uszkodzeń mechanicznych oraz wpływ czynników atmosferycznych.

Po wierceniu w betonie, w środowisku silnie pyłącym zaleca się przedmuchiwanie sprężonym powietrzem otworów wentylacyjnych i uchwytu wiertarskiego. Zapobiegnie to uszkodzeniom łożysk, usunie pył blokujący dopływ powietrza chłodzącego silnik.

TRANSPORT:

Wiertarkę transportować i składować w opakowaniu chroniącym przed wilgocią, wnikaniem pyłu i drobnych obiektów, zwłaszcza należy zabezpieczyć otwory wentylacyjne. Drobne elementy, które dostaną się wewnątrz obudowy mogą uszkodzić silnik.

TYPYWE USTERKI I ICH USUWANIE:

Wiertarka nie działa:

- sprawdzić czy przewód zasilający jest prawidłowo podłączony oraz skontrolować bezpieczniki,

Wiertarka «przerywa» lub iskrzy:

- sprawdzić i wymienić szczotki węglowe.

UWAGA! Wymianę szczotek węglowych może wykonać tylko uprawniony elektryk.

- jeżeli elektronarzędzie nie działa, pomimo że jest zasilane napięciem, należy je wysłać do serwisu naprawczego na adres podany w karcie gwarancyjnej.

PRODUCENT:

PROFIX Sp.z o.o., ul. Marywilska 34, 03-228 Warszawa

OCHRONA ŚRODOWISKA:



UWAGA: Przedstawiony symbol oznacza zakaz umieszczania zużytego sprzętu łącznie z innymi odpadami (z zagrożeniem karą grzywny). Składowiska niebezpieczne znajdujące się w sprzęcie elektrycznym i elektronicznym wpływają negatywnie na środowisko naturalne i zdrowie ludzi.

Gospodarstwo domowe powinno przyczyniać się do odzysku i ponownego użycia (recyklingu) zużytego sprzętu. W Polsce i w Europie tworzony jest lub już istnieje system zbierania zużytego sprzętu, w ramach którego wszystkie punkty sprzedaży ww. sprzętu mają obowiązek przyjmować zużyty sprzęt. Ponadto istnieją punkty zbiórki ww. sprzętu.

PIKTOGRAMY:

Objaśnienia ikonek znajdujących się na tabliczce znamionowej i naklejkach informacyjnych.



«Przed uruchomieniem przeczytać instrukcję obsługi»



«Zawsze stosować okulary ochronne»



«Stosować środki ochrony słuchu»



«Stosować maskę przeciwpyłową»



Polityka firmy PROFIX jest polityką stałego udoskonalania swoich produktów i dlatego firma rezerwuje sobie prawo zmiany specyfikacji wyrobu bez uprzedniego zawiadomienia. Obrazki, podane w instrukcji obsługi, są przykładowe i mogą się nieznacznie różnić od rzeczywistego wyglądu zakupionego urządzenia.


Niniejsza instrukcja jest chroniona prawem autorskim. Kopiowanie/ powielanie jej bez pisemnej zgody firmy Profix Sp. z o.o. jest zabronione.



ПЕРЕД НАЧАЛОМ ЭКСПЛУАТАЦИИ НЕОБХОДИМО ОЗНАКОМИТЬСЯ С НАСТОЯЩЕЙ ИНСТРУКЦИЕЙ.

Хранить инструкцию для возможного применения в будущем.



ПРЕДУПРЕЖДЕНИЕ! Необходимо ознакомиться со всеми предупреждениями, касающимися безопасности при эксплуатации, обозначенными символом  и всеми указаниями по технике безопасности.

Несоблюдение указанных ниже предупреждений, касающихся безопасности и указаний по технике безопасности может привести к поражению электрическим током, пожару и/или серьезным травмам тела.

Необходимо хранить все предупреждения и указания, касающиеся техники безопасности, чтобы можно было воспользоваться ими в будущем.

В указанных ниже предупреждениях слово „электроинструмент“ означает электроинструмент с питанием от сети (посредством электрического кабеля) или электроинструмент, питаемый от аккумулятора (беспроводное питание).



ПРЕДУПРЕЖДЕНИЕ! Общие предупреждения, касающиеся безопасности при эксплуатации инструмента.

Техника безопасности на рабочем месте:

- a) Необходимо поддерживать порядок и хорошее освещение на рабочем месте. *Беспорядок и плохое освещение являются причиной несчастных случаев.*
- б) На следует использовать электроинструмент во взрывоопасной среде, образующейся легко воспламеняющимися жидкостями, газами или пылью. *Электроинструмент создаёт искры, которые могут привести к воспламенению пыли или испарений.*
- в) Не допускать детей и наблюдателей в места, в которых применяются электроинструменты. *Отвлечение внимания может привести к потере контроля над электроинструментом.*



ПРЕДУПРЕЖДЕНИЕ! Общие предупреждения, касающиеся безопасности при эксплуатации инструмента.

Электробезопасность:

- a) Штепсельные вилки должны соответствовать сетевым розеткам. Ни в коем случае не переделывать каким-либо образом штепсельную вилку. Не применять каких-либо удлинителей электропитания в случае использования электроинструментов, имеющих провод электропитания с защитным заземляющим проводником. *Отсутствие переделок штепсельных розеток и сетевых розеток снижает опасность поражения электрическим током.*
- б) Необходимо избегать прикосновения к поверхности заземлённых или закороченных на массу элементов, таких как трубы, нагреватели, радиаторы центрального

отопления и холодильные агрегаты. *В случае прикосновения заземлённого или закороченного на массу элемента увеличивается опасность поражения электрическим током.*

- в) Не подвергать электроинструменты воздействию дождя или влажных условий. *В случае попадания в электроинструмент воды увеличивается опасность поражения электрическим током.*
- г) Не создавать опасности повреждения кабеля электропитания. Ни в коем случае не использовать кабеля электропитания, чтобы переносить или тянуть электроинструмент или для извлечения штепсельной вилки из розетки. Кабель электропитания должен находиться вдали от источников тепла, масел, острых краёв и движущихся частей. *Повреждённые или запутанные кабели электропитания увеличивают опасность поражения электрическим током.*
- д) Если электроинструмент эксплуатируется на свежем воздухе, следует использовать удлинители кабеля электропитания, предназначенные для работы вне помещений. *Использование удлинителя кабеля электропитания, предназначенного для работы вне помещений, снижает опасность поражения электрическим током.*
- е) Рекомендуется подключение устройства к электрической сети, снабженной выключателем остаточного тока (RCD) с током выключения 30 мА или менее.
- ё) Если эксплуатация электроинструмента во влажной среде неизбежна, в качестве защиты от напряжения питания необходимо использовать защитное устройство по разностному току (RCD). *Применение защитного устройства по разностному току снижает опасность поражения электрическим током.*



ПРЕДУПРЕЖДЕНИЕ! Общие предупреждения, касающиеся безопасности при эксплуатации инструмента.

Индивидуальная безопасность:

- a) Настоящее оборудование не предназначено для эксплуатации лицами (включая детей) с физическими, сенсорными или умственными ограничениями или лицами, не имеющими опыта или не знающими оборудования, разве что это осуществляется под надзором или в соответствии с инструкцией по эксплуатации оборудования, переданной лицами, отвечающими за их безопасность.
- б) Необходимо быть предусмотрительным, наблюдать за работой и руководствоваться здравым смыслом во время эксплуатации электроинструмента. Не следует эксплуатировать электроинструмент в состоянии переутомления или находясь под действием наркотиков, алкоголя или лекарств. *Мгновение невнимания во время эксплуатации электроинструмента может быть причиной травмы пользователя.*
- в) Необходимо применять средства личной защиты.

Необходимо обязательно работать с защитными очками. Применение в соответствующих условиях средств личной защиты, таких как противопыльный респиратор, противоскользкая обувь, каска или средства защиты слуха снизит риск получения травмы.

- г) Необходимо избегать случайного запуска в работу. Прежде чем вставить вилку кабеля электропитания в сетевую розетку или подключить аккумулятор, а также перед тем, как поднять или перенести электроинструмент, необходимо убедиться, что выключатель электроинструмента находится в положении «выключено». Перенос электроинструмента с пальцем на выключателе или подключение электроинструмента к сети питания при включенном выключателе может привести к несчастному случаю.
- д) Прежде, чем запустить электроинструмент в работу, необходимо устранить все ключи. Ключ, оставшийся во вращающейся части электроинструмента, может привести к травме пользователя.
- е) Не следует слишком сильно наклоняться. Необходимо всё время сохранять устойчивость и равновесие. Это позволяет лучше контролировать электроинструмент в неожиданных ситуациях.
- ж) Необходимо иметь соответствующую одежду. Не работать в свободной одежде или с бижутерией. Необходимо, чтобы волосы пользователя, его одежда и рукавицы находились вдали от движущихся элементов. Свободная одежда, бижутерия или длинные волосы могут быть зацеплены движущимися частями.
- з) Если оборудование приспособлено для присоединения внешнего пылеотвода (пылеулавливающего устройства) и поглотителя пыли, необходимо убедиться, что они присоединены и правильно применяются. Применение поглотителей пыли может уменьшить опасность, связанную с запыленностью.



ПРЕДУПРЕЖДЕНИЕ! Общие предупреждения, касающиеся безопасности при эксплуатации инструмента.

Эксплуатация и уход за электроинструментом:

- а) Не допускать перегрузки электроинструмента. Применять электроинструмент с мощностью, соответствующей выполняемой работе. Надлежащий электроинструмент позволит лучше и безопаснее работать при нагрузке, на которую он рассчитан.
- б) Не следует применять электроинструмент, если его выключатель не включается и не выключается. Каждый электроинструмент, который не может включаться или выключаться выключателем, представляет опасность и должен быть передан на ремонт.
- в) Необходимо отсоединить штепсельную вилку от источника питания электроинструмента и/или отсоединить аккумулятор прежде чем выполнить какую-либо установку, замену части или складирование устройства. Такие предупредительные меры безопасности снижают риск случайного запуска электроинструмента в

работу.

- г) Неиспользуемый электроинструмент следует хранить в недоступном для детей месте и не разрешать тем, кто незнаком с электроинструментом или настоящей инструкцией, пользоваться электроинструментом. Электроинструмент опасен в руках необученных пользователей.
- д) Следует выполнять технический уход за электроинструментом. Необходимо проверить соосность или отсутствие заедания (защемления) подвижных элементов, трещин частей, а также все другие факторы, могущие влиять на работу электроинструмента. В случае обнаружения неисправности, необходимо выполнить ремонт электроинструмента. Причиной многих несчастных случаев является непрофессиональный способ выполнения технического ухода.
- е) Режущий инструмент должен быть острым и чистым. Соответствующее содержание и уход за острыми кромками режущего инструмента снижает вероятность защемления и упрощает обслуживание.
- ж) Электроинструмент, оснащение, рабочие инструменты и т. п. необходимо применять в соответствии с настоящей инструкцией, учитывая рабочие условия и вид выполняемой работы. Применение электроинструмента не по назначению может привести к опасным ситуациям.
- з) При низкой температуре или после длительного перерыва в эксплуатации рекомендуется включение электроинструмента без нагрузки на несколько минут с целью распределения смазки в механизме привода.
- и) Для чистки электроинструмента применять мягкую, влажную (не мокрую) тряпку и мыло. Не применять бензина, растворителей и других средств, могущих повредить устройство.
- й) Электроинструмент следует хранить/ транспортировать, убедившись, что все его подвижные элементы заблокированы и защищены от разблокировки при помощи оригинальных элементов, предназначенных для этой цели.
- к) Электроинструмент должен храниться в сухом месте и быть защищенным от пыли и проникания влаги.
- л) Транспортировка электроинструмента необходимо выполнять в оригинальной упаковке, защищающей от механических повреждений.



ПРЕДУПРЕЖДЕНИЕ! Общие предупреждения, касающиеся безопасности при эксплуатации инструмента.

Ремонт:

- а) Гарантийный и послегарантийный ремонт своих электроинструментов выполняет сервисная служба компании PROFIX, что гарантирует высочайшее качество ремонта и использование оригинальных запчастей.



ПРЕДУПРЕЖДЕНИЕ!

Во время работы с электроинструментом следует обязательно соблюдать основные меры безопасности

при работе, чтобы избежать взрыва, пожара, поражения электрическим током, или механической травмы.



ПРЕДУПРЕЖДЕНИЕ! УДАРНАЯ ДРЕЛЬ, предупреждения, касающиеся техники безопасности –

Индивидуальная безопасность:

- a) **Использовать средства защиты слуха во время работы с ударной дрелью.** Длительное воздействие шума может привести к потере слуха.
- б) **При выполнении работ, при которых электроинструмент может попасть на скрытую электропроводку или на собственный кабель электропитания, электроинструмент следует держать за изолированную поверхность держателей (рукояток).** Прикосновение к проводу сети питания (кабелю электропитания), находящемуся под напряжением, может привести к попаданию напряжения на металлические части электроинструмента, а это несёт опасность поражения электрическим током.
- в) **Следует применять соответствующие приборы для обнаружения скрытых проводов сети питания и попросить о помощи городские коммунальные службы.** Контакт с проводами, находящимися под напряжением, может привести к пожару или поражения электрическим током. Повреждение газопроводной трубы может привести к взрыву. Проникновение в водопроводную трубу ведёт к материальным потерям и может привести к поражению электрическим током.
- г) **Не обрабатывайте материалы с содержанием асбеста.** Асбест является канцерогеном и вызывает раковые заболевания.
- д) **Необходимо поддерживать чистоту в месте выполнения работы.** Смеси материалов представляют особую опасность. Пыль лёгких металлов может воспламениться или взорваться.
- е) **Необходимо закрепить обрабатываемый предмет.** Проверить, все ли крепящие зажимы зажаты и убедиться, что нет слишком большого зазора. Закрепление обрабатываемого предмета в крепящем устройстве или тисках более безопасно, чем удерживание его рукой.
- ж) **Во время работы следует прочно держать электроинструмент двумя руками за основную и вспомогательную рукоятку и сохранять устойчивое положение.** Переключение электроинструмента безопасно, если выполняется обеими руками.
- з) **Следует немедленно отключить электроинструмент, если заблокируется используемый рабочий инструмент.** Необходимо быть готовым к большим вибрациям, в результате которых может произойти отброс. Блокировка применяемого рабочего инструмента может произойти, если электроинструмент перегружен или если будет иметь место его искривление в обрабатываемом предмете.
- и) **Следует отключать машину от сети электропитания во время перерыва в работе, во время смены насадок, ремонта, чистки или регулировки. Не откладывать электроинструмент, пока он не остановится.** Может произойти блокировка рабочего инструмента, в результате чего будет потеряна контроль над электроинструментом.

- к) **Запрещено эксплуатировать электроинструменты с повреждённым кабелем электропитания. Не прикасаться к повреждённому кабелю электропитания. В случае повреждения кабеля электропитания во время работы, необходимо извлечь штепсельную вилку из розетки.** Повреждённые провода увеличивают опасность поражения электрическим током.
- л) **Повреждённый кабель электропитания электроинструмента должен быть заменён кабелем электропитания, имеющимся в сервисных пунктах.**

ПРЕДНАЗНАЧЕНИЕ И КОНСТРУКЦИЯ ДРЕЛИ:

Ударная дрель предназначена для высверливания отверстий в древесине, металле, пластмассе, керамике, для ударного сверления в кирпиче, камне, бетоне. Устройство имеет систему электронной регулировки и переключение направления вращения вправо/влево. Возможно выполнение ввинчивания / вывинчивания винтов и нарезки резьбы.

Категорически запрещено применять устройство для каких-либо других целей.

Ударная дрель приводится в движение однофазным электродвигателем и предназначена для бытовых работ средней интенсивности. Не пригодна для длительных работ в сложных условиях. **Запрещено применять устройство для работ, требующих применения профессионального оборудования.**

Каждое применение электроинструмента, несоответствующее указанному выше назначению, запрещено и ведёт к потере гарантии и отступлению ответственности производителя за возникший в результате этого ущерб.

Какие-либо модификации электроинструмента, осуществлённые пользователем, освобождают производителя от ответственности за повреждения и ущерб, причинённый пользователю и окружающей среде.

Правильная эксплуатация электроинструмента относится также к техобслуживанию, хранению, транспортировке и ремонту.

Ремонт электроинструмента может выполняться только в определённых производителем сервисных пунктах. Устройства с питанием от сети должны ремонтироваться исключительно лицами, имеющими соответствующий допуск.

Даже применяя устройство по назначению, нельзя полностью исключить определённых факторов остаточного риска. С учётом конструкции устройства может иметь место следующая опасность:

- Прикосновение в процессе работы вращающегося сверла рукой или одеждой оператора, кабелем электропитания.
- Возможность ожога при смене сверла. (В процессе работы сверло сильно разогревается и чтобы избежать ожогов при его смене, необходимо применять защитные рукавицы).
- Отбрасывание обрабатываемого предмета или его части.
- Искривление или поломка сверла.

■ Состав комплекта

- Ударная дрель - 1 шт.
- Вспомогательная рукоятка - 1 шт.
- Ограничитель глубины сверления - 1 шт.
- Ключ для сверлильного патрона - 1 шт.
- Инструкция по обслуживанию - 1 шт.
- Гарантийная карта - 1 шт.

■ Элементы устройства (см. рис. А, В, С)

Нумерация элементов устройства относится к изображениям, находящимся на странице 2 инструкции по эксплуатации:

1. Сверлильный патрон с зубчатым венцом
2. Переключатель режима работы **безударное сверление / ударное сверление**
3. Переключатель направления вращения
4. Блокировка выключателя
5. Регулятор частоты вращения
6. Выключатель
7. Рукоятка основная
8. Рукоятка вспомогательная
9. Ограничитель глубины сверления
10. Ключ для сверлильного патрона с зубчатым венцом

ТЕХНИЧЕСКИЕ ПАРАМЕТРЫ:

МОДЕЛЬ	TDW1050
Напряжение питания	220-230 В
Частота тока питания	50 Гц
Потребляемая мощность	1050 Вт
Частота вращения без нагрузки	0-2800 / мин
Патрон для дрели (ключевой)	13 мм
Максимальный диаметр сверления	сталь - 10 мм
	бетон - 13 мм
	древесина - 25 мм
Вес (без принадлежностей)	3,0 кг
Класс оборудования	□/II
Степень защиты	IP20
Уровень звукового давления (LpA)	92,3 дБ(A)
Уровень звуковой мощности (LwA)	103,3 дБ(A)
Уровень вибрации согласно стандарту EN 60745-2-1:2010	
сверление без удара (металл), главная рукоятка a _{hv}	3,914 м/с ²
сверление с ударом (бетон) _{hb}	14,953 м/с ²
погрешность измерения K=1,5 м/с ²	

Указанный уровень вибрации соответствует основным применениям электроинструмента. Если электроинструмент будет использован для других применений или с другими рабочими инструментами, а также, если не будет выполнен соответствующий технический уход, уровень вибрации может отличаться от указанного. Указанные выше причины могут привести к усилению воздействия вибраций в течение всего времени работы.

Необходимо применять дополнительные меры безопасности с целью защиты оператора от воздействия вибрации, а именно: технический уход за электроинструментом и рабочими инструментами, обеспечение соответствующей температуры рук, определение очередности рабочих операций.

ПРЕЖДЕ ЧЕМ ПРИСТУПИТЬ К РАБОТЕ:

1. Убедиться, что параметры источника питания соответствуют параметрам дрели, указанным на её щитке.

2. Убедиться, что выключатель дрели находится в положении «выключено» и блокировка выключателя (4) выключена. Запрещено откладывать работающую дрель при включенной блокировке. Выключение блокировки производится повторным нажатием выключателя (6).
3. Закрепить вспомогательную рукоятку (8), вкладывая обойму рукоятки через патрон дрели, а затем зафиксировать завинчивая ручку. Ограничитель глубины сверления (9) необходимо вставить в отверстие во вспомогательной рукоятке и зафиксировать завинчивая ручку вспомогательной рукоятки.
4. При работе с удлинителем шнура электропитания необходимо убедиться, что его параметры, сечение проводов соответствуют параметрам дрели. Рекомендуется применять максимально короткие удлинители. Удлинитель должен быть полностью размотан.

ВОВРЕМЯ РАБОТЫ:

■ Выбор сверла

При сверлении в бетоне, кирпиче, камне применять сверла для бетона. При сверлении в металле, пластмассе, древесине (для диаметра отверстия не более 6 мм) применять сверла для металла. При сверлении в древесине отверстий диаметром больше 6 мм применять сверла для древесины.

■ Крепление сверла

Вставить сверло до упора в открытый сверлильный патрон (1) и зафиксировать его путём сжатия зажимных губок вращающимся внешним кольцом при помощи ключа (10), используя по очереди три отверстия в корпусе патрона (см. рис. В).

■ Установка глубины сверления

Ограничителем глубины (9) можно установить глубину сверления. Ограничитель глубины сверления следует выдвинуть так, чтобы расстояние между концом сверла и концом ограничителя глубины соответствовало требуемой глубине сверления.

■ Переключение режима работы

• Сверление и ввинчивание/вывинчивание винтов:

Установить переключатель режима работы (2) в положение «сверление», обозначенное символом -

• Ударное сверление:

Установить переключатель режима работы (2) в положение «ударное сверление», обозначенное символом -

ВНИМАНИЕ: Ни в коем случае не переключать режим работы, если патрон дрели (1) вращается.

■ Изменение направления вращения

Передвинуть переключатель направления вращения (3) до упора в соответствующее положение. Символы на корпусе возле выключателя: **R** - вращение по часовой стрелке, **L** - вращение против часовой стрелки.

ВНИМАНИЕ: Ни в коем случае не переключать направление вращения, если патрон дрели (1) вращается.

■ Включение / выключение

Для включения электроинструмента необходимо нажать выключатель (6) и поддерживать в нажатом состоянии.

Чтобы зафиксировать выключатель в положении «включено» следует нажать кнопку блокировки выключателя (4).

Для выключения электроинструмента, следует отпустить выключатель (6), а если он зафиксирован кнопкой блокировки (4), нажать на него на короткое время и затем отпустить.

■ Изменение скорости вращения

Увеличивая или уменьшая нажим на выключатель (6) можно плавно регулировать частоту вращения.

При слабом нажиме на выключатель (6) скорость вращения будет малой. При более сильном нажиме скорость вращения увеличивается.

■ Регулировка частоты (скорости) вращения

Регулятором частоты вращения (5) можно установить требуемую частоту (скорость) вращения. Это можно осуществлять также во время работы.

Требуемая частота вращения зависит от обрабатываемого материала и условий работы. Можно её определить методом практической пробы.

СМЕНА ПАТРОНА ДРЕЛИ:



ВНИМАНИЕ: Прежде чем приступить работе с электроинструментом, необходимо извлечь штепсельную вилку из розетки.

Патрон в дрели с вращением вправо / влево зафиксирован при помощи винта с левой резьбой. Перед сменой патрона дрели необходимо вывинтить этот винт при помощи соответствующей крестообразной отвёртки (PH2) спереди через отверстие патрона дрели.

Винт с левой резьбой можно открутить только вращением вправо.

Чтобы снять патрон дрели (1), необходимо установить дрель на стабильном основании, напр. на рабочем столе и насадить рожковый ключ (17 мм) на лыски, имеющиеся на шпинделе. Придерживая патрон одной рукой, другой рукой вращать ключ против часовой стрелки, до полного свинчивания патрона со шпинделя (см. рис. С).

Монтаж сверлильного патрона производится в обратной последовательности.

На гнезде и на резьбе шпинделя не должно быть какого-либо загрязнения.

УКАЗАНИЯ ПО РАБОТЕ УСТРОЙСТВА:

- После длительной работы с малой скоростью вращения необходимо с целью охлаждения запустить электроинструмент в работу с максимальной скоростью вращения без нагрузки в течение примерно 3 мин.
- Для сверления отверстий в керамической плитке необходимо установить переключатель режима работы (2) в положение «сверление». После того, как будет высверлено отверстие в керамической плитке, необходимо переставить переключатель режима работы в положение «ударное сверление» и выполнять далее сверление ударом.
- При сверлении в бетоне, камне и кирпичной стене необходимо применять свёрла из твёрдого сплава.
- Для сверления металла необходимо применять только острые свёрла для металла.

ВНИМАНИЕ: Выбор соответствующего сверла для каждого вида

работы обеспечивает снижение вибрации во время сверления, что в значительной степени повышает производительность сверления.

- При ввинчивании/вывинчивании винтов/гаек следует прикладывать рабочий инструмент к винту/гайке, когда патрон дрели не вращается.

ХРАНЕНИЕ И ТЕХНИЧЕСКИЙ УХОД:

Дрель в принципе не требует специальных процедур по техническому уходу. Дрель следует хранить в месте, недоступном для детей, содержать в чистоте, защищать от влаги и попадания пыли. Условия хранения должны исключать возможность механических повреждений и влияния атмосферных условий.

После сверления в бетоне, в условиях сильной запыленности рекомендуется выполнить продувку сжатым воздухом вентиляционных отверстий и патрона дрели. Это предотвратит повреждение подшипников и устранил пыль, блокирующую приток воздуха, охлаждающего двигатель.

ТРАНСПОРТИРОВКА:

Дрель следует транспортировать и складировать в упаковке, защищающей от влаги, проникновения пыли и мелких объектов, особенно необходимо защитить вентиляционные отверстия. Мелкие элементы, попавшие вовнутрь корпуса, могут повредить двигатель.

ТИПИЧНЫЕ НЕИСПРАВНОСТИ И ИХ УСТРАНЕНИЕ:

Дрель не работает:

- проверить правильно ли присоединён кабель электропитания и проверить предохранители;

Имеются перерывы в работе дрели или чрезмерное искрение:

- проверить и заменить угольные щётки.

ВНИМАНИЕ! Замену угольных щёток может выполнить только электрик (соответствующим допуском).

- если электроинструмент не работает, несмотря на наличие напряжения питания, необходимо передать его в ремонтный сервисный пункт по адресу, указанному в гарантийной карте.

ПРОИЗВОДИТЕЛЬ:

ООО «ПРОФИКС»,
ул. Марывильска 34, 03-228 Варшава, Польша

ЗАЩИТА ОКРУЖАЮЩЕЙ СРЕДЫ:



ВНИМАНИЕ: Представленный символ означает запрещение размещения использованного оборудования вместе с другими отходами (за это грозит наказание в виде штрафа). Опасные компоненты, имеющиеся в электрическом и электронном оборудовании отрицательно влияют на окружающую среду и здоровье человека.

Домашнее хозяйство должно способствовать восстановлению и повторному использованию (рециклированию) использованного оборудования. В Польше и в Европе создаётся или уже существует система сбора использованного оборудования, в рамках которой все пункты продажи в/у оборудования обязаны принимать использованное оборудование. Кроме того, имеются пункты приёма в/у оборудования.

ПИКТОГРАММЫ:

Описание знаков, имеющихся на щитке и информационных наклейках на электроинструменте.



— «Перед подключением и началом работы необходимо прочитать инструкцию по эксплуатации»



— «Использовать средства защиты органов слуха»



— «Использовать средства защиты глаз»



— «Использовать средства защиты верхних дыхательных путей»



Политика компании PROFIX - это политика постоянного совершенствования своих изделий, и поэтому компания сохраняет за собой право изменения спецификации изделия без предварительного уведомления. Изображения, имеющиеся в инструкции, являются примерными и могут незначительно отличаться от фактического вида приобретённого электроинструмента.

Настоящая инструкция по эксплуатации защищена авторскими правами. Запрещено её копирование и размножение без согласия ООО «ПРОФИКС».

RO

INSTRUCȚII DE FOLOSIRE
BORMAȘINĂ CU ROTOPERCUTOR TDW1050
Traducere din instrucțiunea originală



ÎNAINTE DE UTILIZARE, CITIȚI ACESTE INSTRUCȚIUNI.

Păstrează instrucțiunile pentru o folosire viitoare.



ATENȚIE! Citește toate avertismentele referitoare la protecția muncii marcate cu simboluri ⚠ și toate indicațiile referitoare la utilizarea în siguranță.

Nerespectarea avertismentelor de mai jos, poate duce la accidente și la electrocutare, incendii și/sau la vătămări corporale.

Păstrează toate avertismentele și indicațiile referitoare la protecția muncii, pentru a le folosi în viitor.

În avertismentele de mai jos, termenul "unealtă electrică" înseamnă o unealtă care este alimentată de la rețea (cu cablu de alimentare) sau o unealtă electrică alimentată din baterie (fără cablu).



ATENȚIE! Reguli generale de protecție a muncii.

Și siguranța la locul de muncă:

- La locul de muncă păstrează curățenie și bună iluminare.** Zonele și bancurile de lucru aglomerate cheamă accidente.
- Nu utilizezi unealta electrică în atmosfere explozive, formate din lichide inflamabile, gaze sau lichide.** Unealta electrică produce scântei, care pot aprinde praful sau aburii.
- Țineți copiii departe de locurile în care unealta electrică este folosită.** Distragerea atenției poate duce la pierderea atenției asupra unelei electrice.



ATENȚIE! Reguli generale cu privire la utilizarea în siguranță a unelei.

Și siguranța electrică:

- Ștecherul unelei electrice trebuie să fie conforme cu priza.** Este interzisă modificarea ștecherului. Este interzisă utilizarea prelungitoarelor în cazul neltoanelor electrice cu cablu de legare la pământ de protecție. Nemodificarea ștecherelor și a prizelor micșorează riscul de electrocutare.
- Evitați să atingeți suprafața de împănăntenire sau conectările la masă, cum ar fi conducte, radiatoare, radiatoare de încălzire centrală și frigider.** În cazul atingerii părților împănăntenite, crește riscul de electrocutare.
- Nu expuneți sculele electrice în condiții de ploaie sau mediu umed.** În caz de infiltrație cu apă, crește riscul de electrocutare.
- Nu abuzați de cablurile de conectare.** Nu folosiți cablul de alimentare la mutarea, tragerea unelei sau tragerea ștecherului din priză. Păstrați cablul de alimentare departe de surse de căldură, ulei, muchii ascuțite sau părți în mișcare. Cablurile deteriorate sau încurcate cresc riscul de electrocutare.
- În cazul în care unealta electrică este folosită în aer liber, conectarea trebuie efectuată cu ajutorul prelungitoarelor destinate funcționării în aer liber.** Folosirea prelungitorului destinat funcționării în aer liber, micșorează riscul de electrocutare.
- Vă recomandăm să racordați aparatul la o rețea electrică dotată cu un comutator cu curent diferențial (RCD) cu amperaj de acționare de 30mA sau mai mic.**
- În cazul în care unealta electrică este folosită în mediu umed, este inevitabilă, utilizarea unui dispozitiv de protecție împotriva tensiunii de alimentare, cum ar fi aplicarea unui dispozitiv de curent rezidual (RCD).** Folosirea RCD micșorează riscul

de electrocutare.



ATENȚIE! Avertismente generale cu privire la siguranța folosirii unelei.

Și siguranță personală:

- Acest echipament nu este destinat utilizării de către persoane (inclusiv copii) cu abilități fizice reduse, senzoriale sau mentale, sau de persoane care nu au experiență sau nu cunosc echipamentul, cu excepția cazului în care are loc sub supraveghere sau în conformitate cu instrucția de folosire a echipamentului, de către o persoană responsabilă pentru siguranța lor.**
- Trebuie să fiți atent, să aveți grijă ce faceți și să păstrați bun simț în timpul folosirii unelei electrice.** Nu folosiți unealta electrică, când sunteți oboșiți sau sub influența drogurilor, alcoolului sau a medicamentelor. Un moment de neatenție în timpul lucrului cu unelata electrică poate cauza vătămări personale grave.
- Folosiți echipament de protecție.** Purtați întotdeauna ochelari de protecție. Folosind echipamentul de protecție cum ar fi masca de praf, pantofi cu anti-alunecare, căști sau protecție auditivă, micșorați riscul de vătămare.
- Evitați pornirea accidentală.** Înainte de conectarea la sursa de alimentare și/sau înainte de conectarea bateriei și înainte de ridicarea sau mutarea unelei asigurativă că comutatorul unelei electrice este în poziția oprită. Mutarea unelei electrice cu degetul pe comutator sau conectarea unelei electrice la rețeaua de alimentare în poziția pornită poate provoca un accident.
- Înainte de pornirea unelei electrice îndepărtați toate uneltele din apropiere.** Lăsarea de unelte pe părțile de mișcare ale unelei electrice poate duce la vătămări corporale.
- Nu vă aplecați prea mult.** Trebuie să stați sigur și să mențineți echilibrul. Acest lucru va permite un control mai bun asupra unelei electrice în situații neașteptate.
- Îmbrăcați-vă corespunzător.** Nu purtați haine largi sau bijuterii. Țineți părul strâns, hainele și mănușile departe de părțile în mișcare. Hainele largi, bijuteria sau părul lung se pot agăța de părțile în mișcare.
- Dacă echipamentul este potrivit pentru conectarea extractorului de praf extern și a colectorului de praf, asigurați-vă că acestea sunt conectate și folosite corect.** Folosirea colectorului de praf poate reduce riscul de pericole legate de prăfuit.



ATENȚIE! Avertismente generale cu privire la folosirea în siguranță a unelei.

Utilizarea și îngrijirea unelei electrice:

- Nu supraîncărcați unealta electrică.** Utilizați o unealtă electrică în funcție de puterea necesară muncii efectuate. Unealta electrică corectă va permite o funcționare mai bună și este sigură în cazul însărcinării, pentru care a fost proiectată.
- Este interzisă utilizarea unelei electrice dacă comutatorul nu pornește și nu oprește unealta.** Fiecare unealtă electrică care nu pornește sau nu se oprește este periculoasă și trebuie reparată.

- c) **Deconectați ștecherul de la sursa de alimentare a unelei electrice și/sau deconectați bateria înainte de orice setare, schimbare de părți sau depozitare. Aceste mijloace de protecție reduc riscul unei porniri accidentale a unelei electrice.**
- d) **Unealta electrică nefolosită trebuie depozitată departe de copii și nu trebuie împrumutată persoanelor care nu cunosc unealta electrică sau care nu au citit această instrucție de folosire a unelei electrice. Unealta electrică este periculoasă când este folosită de o persoană fără experiență.**
- e) **Unealta electrică trebuie bine întreținută. Trebuie controlată alinierea sau bruieră pieselor în mișcare, ruperea pieselor și alți factori care pot avea influență la funcționarea unelei electrice. Dacă găsim o deteriorare, unealta electrică înaintea folosirii trebuie reparată. Cauza multor accidente este întreținerea necorespunzătoare a unelei electrice.**
- f) **Unelele de tăiere trebuie să fie ascuțite și curate. Întreținerea părților ascuțite ale uneltelor de tăiere reduce riscul de blocare în material și ușurează folosirea.**
- g) **Unealta electrică, echipamentul, untele de lucru, etc. trebuie c folosite în conformitate cu această instrucție, ținând cont de tipul și condițiile de lucru. Utilizarea unelei electrice în alt mod decât este destinația, poate duce la situații periculoase.**
- h) **La temperaturi scăzute, sau după o perioadă îndelungată de nefolosire, este recomandată pornirea unelei electrice fără sarcină pentru câteva minute pentru a distribui corect unsoarea în mecanismul de transmisie.**
- i) **Pentru curățirea unelei electrice folosiți o cârpă moale, umedă (nu udă) și săpun. Nu folosiți benzină, diluanți sau alte mijloace care pot deteriora echipamentul.**
- j) **Unealta electrică trebuie depozitată/transportată numai după ce ne-am asigurat că toate elementele în mișcare sunt blocate și asigurate cu ajutorul elementelor originale destinate blocării.**
- k) **Unealta electrică trebuie păstrată într-un loc uscat, asigurat împotriva prafului și a umezelii.**
- l) **Transportul unelei electrice trebuie să aibă loc în ambalajul original, asigurat împotriva deteriorărilor mecanice.**



ATENȚIE! Avertismente generale cu privire la folosirea în siguranță a unelei.

Repararea:

- a) **Reparații în garanție și postgaranție ale uneltelor dumneavoastră electrice sunt efectuate de Service-ul PROFIX, ceea ce garantează calitatea cea mai ridicată a reparațiilor și utilizarea de piese originale de schimb.**



ATENȚIE!

În timpul utilizării unelei electrice se recomandă respectarea regulilor de bază ale siguranței muncii, pentru a evita incendiile, electrocutarea sau vătămări mecanice.



ATENȚIE! BORMAȘINA CU ROTOPERCUTOR, avertizări referitoare la siguranță –

Șiguranța personală:

- a) **Utilizați protecție auditivă în timpul utilizării bormașini cu rotopercutor. Expunerea la zgomot poate provoca pierderea auzului.**
- b) **În timpul lucrului, când este posibil, ca unealta să nimerască cabluri electrice ascunse sau propriul cablu de alimentare,**

unealta electrică trebuie ținută de părțile izolate ale mânerelor. Contactul cu cablul rețelei de alimentare aflate sub tensiune poate cauza transmiterea tensiunii pe părțile metalice ale unelei electrice, fapt ce poate cauza electrocutarea.

- c) **Utilizați instrumente adecvate de localizare a cablurilor ascunse de alimentare sau cereți ajutor de la instituțiile municipale. Contactul cu cablurile aflate sub tensiune poate cauza apariția incendiului sau electrocutarea. Deteriorarea țevii de gaz poate cauza explozie. Perforarea conductei de apă și canalizare poate cauza pagube materiale sau electrocutare.**
- d) **Nu prelucrați materiale care conțin azbest. Azbestul este considerat a fi cancerigen.**
- e) **Locul de muncă trebuie păstrat curat. Amestecul de materiale este foarte periculos. Pulberile de metal ușor se pot aprinde sau exploda.**
- f) **Asigurați elementul prelucrat. Asigurați-vă că toate elementele de fixare sunt bine strânse și verificați să nu fie prea mari distanțe. Fixarea elementului prelucrat în echipamentul de fixare sau mențină este mai sigur decât ținerea elementului cu mâna.**
- g) **Unealta trebuie folosită cu mânerul suplimentar livrat cu unealta. Pierderea controlului poate cauza vătămări corporale ale operatorului.**
- h) **Unealta electrică în timpul utilizării trebuie ținută cu ambele mâini de mânerul principal și suplimentar, menținând o poziție stabilă. Utilizarea unelei electrice este mai sigură dacă este ținută cu ambele mâini.**
- i) **Opriți imediat unealta electrică, dacă se blochează unelata folosită. Fiți pregătiți pentru vibrații puternice, care pot duce la recul. Unealta utilizată se blochează când: unealta electrică este suprainsărcinată, sau când se îndoaie în element.**
- j) **Deconectați imediat unealta de la rețeaua electrică în timpul pauzei, în timpul înlocuirii capetelor, întreținerii, curățării sau reglării. Înainte de așezarea unelei electrice pe banc, așteptați până unelata se oprește. Unealta folosită se poate bloca și duce la pierderea controlului asupra acesteia.**
- k) **Este interzisă utilizarea unelei electrice cu cablu electric deteriorat. Nu atingeți cablul deteriorat; în cazul deteriorării cablului în timpul utilizării, deconectați ștecherul din priză. Cablurile deteriorate măresc riscul de electrocutare.**
- l) **Dacă cablul de alimentare al unelei electrice este deteriorat, acesta trebuie înlocuit cu un cablu de alimentare accesibil în rețeaua de service.**

DESTINAȚIA ȘI CONSTRUCȚIA BORMAȘINI:

Bormașina cu rotopercutor este destinată executării de găuri de foraj în lemn, metal, materiale plastice, ceramice, cu rotopercutor în cărămi, piatră și beton. Unealta este echipată cu sistem de reglare electronică și schimbare direcție în dreapta/stânga și poate fi folosită deasemenea pentru înșurubarea/deșurubarea de șuruburi sau filetare.

Este strict interzisă utilizarea echipamentului în orice alt scop.

Bormașina cu rotopercutor este activată de un motor monofazic și destinată lucrărilor de casă cu intensitate medie. Nu este adecvată pentru lucrări de lungă durată în condiții grele. **Este interzisă folosirea unelei pentru executarea de lucrări care necesită unelte profesionale.**

Fiecare utilizare a unei electrice neconformă cu destinarea acesteia, așa cum a fost indicată mai sus, este interzisă și atrage după sine pierderea garanției precum și privarea de răspundere a producătorului pentru pagubele apărute în urma acestor.

Toate modificările aparatului efectuate de utilizator îl exceptă pe producător de responsabilitate pentru pagubele provocate utilizatorului și mediului.

Utilizarea corespunzătoare a unei electrice se referă de asemenea și la întreținerea, depozitarea, transportul și reparațiile aparatului.

Unealta electrică poate fi reparată doar în punctele de service menționate de producător. Aparatele alimentate la rețea trebuie să fie reparate doar de persoane calificate în acest sens.

În ciuda utilizării în conformitate cu destinarea, nu pot fi eliminați în totalitate anumiți factori de risc. Datorită construcției și proiectării, putem întâlni următoarele pericole:

- Atingerea cu mâna a burghiului în mișcare, a îmbrăcăminții, sau cu cablul de alimentare.
- Arsuri în timpul înlocuirii burghiului. (În timpul funcționării burghiului se încălzește, și pentru a evita arsurile în timpul înlocuirii folosiți mănuși de protecție).
- Reculul elementului prelucrat sau a părților acestuia.
- Curbare/rupere a burghiului.

■ Elemente

- Bormașina cu rotopercurtor - 1 buc.
- Mâner suplimentar - 1 buc.
- Limitator adâncime de forare - 1 buc.
- Cheie mandrina - 1 buc.
- Instrucții de folosire - 1 buc.
- Fișa de garanție - 1 buc.

■ Elementele unelei (vezi fig: A, B, C)

Numerotarea elementelor unelei este prezentată în figura aflată pe pagina 2 a acestei instrucții de folosire:

1. Mandrină cu coroana dîntată
2. Comutator de schimbare tip de lucru **foraj fără rotopercuție/cu rotopercuție**
3. Comutator de schimbare direcție de rotare
4. Blocada comutatorului
5. Buton reglare viteză de rotare
6. Întrerupător
7. Mâner principal
8. Mâner suplimentar
9. Limitator adâncime de forare
10. Cheie pentru mandrina cu coroana dîntată

DATE TEHNICE:

MODEL	TDW1050
Tensiunea de alimentare	220-230 V
Frecvența de alimentare	50 Hz
Puterea	1050 W
Viteza de rotire în gol	0-2800 /min
Mandrină (cu coroana dîntată)	13 mm
Diametrul maxim de foraj	oțel - 10 mm
	beton - 13 mm
	lemn - 25 mm

Greutatea (fără accesorii)	3,0 kg
Clasa echipamentului	□/II
Protecția	IP20
Nivelul presiunii acustice LpA	92,3 dB(A)
Nivelul puterii acustice LwA	103,3 dB(A)
Nivelul de vibrare conform normie EN 60745-2-1:2010	
foraj fără rotopercuție (metal), mâner principal _{ah}	3,914 m/s ²
foraj cu rotopercuție (beton) _{hb}	14,953 m/s ²
incertitudine K=1,5 m/s ²	

Nivelul menționat de vibrații este reprezentativ pentru utilizarea aparatului electric. Dacă aparatul electric va fi utilizat pentru alte scopuri sau cu alte instrumente de lucru precum și dacă nu va fi întreținut corespunzător, nivelul de vibrații ar putea diferi de cel indicat. Motivele indicate mai sus pot duce la sporirea nivelului de expunere la vibrații pe toată durata timpului de funcționare.

Trebuie să introduceți mijloace adiționale de siguranță, care au scopul de a proteja operatorul de efectele de expunere la vibrații, de ex.: întreținere aparat electric și instrumente de lucru, asigurarea temperaturii corespunzătoare a mâinilor, stabilirea ordinii operațiilor de muncă.

ÎNAINTE DE UTILIZARE:

1. Asigurați-vă că sursa de alimentare are parametrii corespunzători parametrilor bormașinei indicați în tabelul nominal.
2. Asigurați-vă că întrerupătorul bormașinei este în poziția oprită și blocada întrerupătorului (4) este eliberată. Este interzisă lăsarea bormașinei când blocada este activă. Oprirea blocadei are loc prin apăsarea suplimentară a întrerupătorului (6).
3. Mânerul suplimentar (8) se fixează prin așezarea acestuia pe axul mandrinei și se blochează prin răsucirea acestuia. Limitatorul adâncimii de forare (9) trebuie introdus în orificiul mânerului suplimentar și blocat prin răsucirea mânerului suplimentar.
4. În cazul utilizării prelungitorului, asigurați-vă că parametrii prelungitorului, secțiunea cablurilor, sunt conforme cu parametrii polizorului. Recomandăm folosirea prelungitoarelor cât mai scurte. Prelungitorul trebuie să fie desfășurat în întregime.

ÎN TIMPUL UTILIZĂRII:

■ Alegerea burghiului

La forarea în beton, cărămidă, piatră, folosiți burghie pentru beton. La forarea metalului, materialelor plastice, lemnului (cu diametrul orificiului până la 6 mm) folosiți burghie pentru metal.

La forarea în lemn a orificiilor cu diametrul mai mare de 6 mm folosiți burghie pentru lemn.

■ Fixarea burghiului


Se introduce burghiul până la capăt în capul slăbit (1) și îl blocăm prin apăsarea fălcilor cu ajutorul răsucirii inelului exterior cu ajutorul cheii (10), folosind pe rând cele trei orificii ale carcasei capătului (vezi fig: B).

■ Setarea adâncimii de foraj


Cu ajutorul limitatorului adâncimii (9) putem stabili adâncimea de foraj. Tragem limitatorul adâncimii, până când distanța între capătul burghiului și capătul limitatorului va fi conformă cu adâncimea dorită de forare.

■ Schimbarea tipului de lucru

• Forare și înșurubare/deșurubare șuruburi:

Setăm comutatorul tipului de lucru (2) în poziția «foraj» notată cu simbolul - .

• Forare cu rotopercuție:

Setăm comutatorul tipului de lucru (2) în poziția «foraj cu rotopercuție» notată cu simbolul - .

ATENȚIE: Este interzisă schimbarea tipului de lucru, când capul bormașinei (1) este în mișcare.

■ Schimbarea direcției de rotație

Deplasați comutatorul direcției de rotare (3) până la capăt în poziția corespunzătoare. Notare pe carcasa întrerupătorului: R – rotare conformă cu direcția acelor de ceas, L- rotare în direcție opusă direcției acelor de ceas.

ATENȚIE: Este interzisă schimbarea direcției de rotare când capul bormașinei (1) este în mișcare.

■ Pornire/Oprire

Pentru a porni unealta electrică apăsați întrerupătorul (6) și ținați-l apăsat.

Pentru a bloca întrerupătorul în poziția pornită apăsați blocada întrerupătorului (4).

Pentru a opri unealta electrică întrerupătorul (6) trebuie eliberat, sau când este blocat cu blocada (4), apăsați-l scurt și apoi eliberați-l.

■ Reglarea vitezei de rotire

Prin mărirea sau micșorarea apăsării pe întrerupător (6) putem regla viteza de rotire.

O ușoară apăsare pe întrerupător (6) duce la o viteză de rotire mică. Apăsare mărită, mărește viteza de rotire.

■ Setarea vitezei de rotire

Butonul de reglare viteză de rotire (5) poate fi setat în funcție de viteză dorită. Puteți seta viteză și în timpul funcționării.

Viteza de rotire dorită este aleasă în funcție de materialul prelucrat și condițiile de muncă, și o putem seta în timpul unei probe practice.

ÎNLOCUIREA MANDRINEI DE FORAJ:



ATENȚIE: Înainte de orice schimbare la unealta electrică, trebuie deconectat ștecherul din priza de alimentare.

Mandrina de foraj în bormașină cu rotire în dreapta/stânga este blocată cu ajutorul șurubului cu filet de stânga. Înainte de înlocuirea mandrinei este necesară deșurubarea acestui șurub cu ajutorul șurubelniței corespunzătoare (PH2) din partea din față prin orificiul mandrinei de foraj.

Șurubul cu filet de stânga poate fi deșurubat doar prin răsucire în dreapta.

Pentru a demonta mandrina (1) așezați mașina de găurit pe o suprafață stabilă, de ex. pe banca de lucru și așezați cheia cu furcă (17 mm) în inciziile situate în ax. Țineți mandrina cu o mână și cu cealaltă rotiți cheia în direcția opusă mișcării acelor de ceas, până ce desfiletați mânerul (vezi fig. C).

Montarea mandrinei se efectuează în ordinea inversă.

În socul mânerului și pe filetul axului nu trebuie să se afle nici un fel de impurități.

INDICAȚII REFERITOARE LA UTILIZARE:

- După o utilizare îndelungată cu viteză mică de rotire, porniți unealta electrică în gol pentru răcire timp de aproximativ 3 minute la viteza maximă.
- Pentru a foră găuri în plăci ceramice, mutați comutatorul tipului de lucru (2) în poziția «foraj». După executarea găurilor, mutați comutatorul în poziția «foraj cu rotopercuție» și continuați cu rotopercuție.
- La executarea în beton, piatră și zid, trebuie sc folosite burghie din aliaj solid.
- La forajul în metal, utilizați doar burghie ascuțite pentru metal.

ATENȚIE: Alegerea burghiului corect pentru fiecare tip de proces asigură micșorarea vibrațiilor în timpul forajului, fapt care îmbunătățește forarea.

- La înșurubarea/deșurubarea șuruburilor/piulițelor, apropiați capătul de șurub/piuliță când axul bormașinei se rotește.

DEPOZITAREA ȘI ÎNTREȚINEREA:

Unealta nu necesită o întreținere specială. Polizorul trebuie depozitat într-un loc uscat, nu la îndemâna copiilor, trebuie menținută curată, protejată de umezeală și praf. Condițiile de depozitare trebuie să elimine posibilitatea de deteriorare mecanică sau efectele nocive ale diferitelor condiții atmosferice

După forajul în beton, praful apărut trebuie îndepărtat cu ajutorul aerului comprimat de pe orificiile de ventilație și mâner. Împiedică deteriorarea lagărelor și îndepărtează pulberea care blochează intrarea aerului de răcire în motor.

TRANSPORT:

Bormașina trebuie transportată și depozitată în ambalaj care o protejează împotriva umezelii, prafului și a obiectelor mici, mai ales trebuie sc asigurate orificiile de ventilație. Elementele mici care infiltră carcasa pot duce la distrugerea motorului.

DEFECȚIUNI TIPICE ȘI ÎNDEPĂRTAREA ACESTORA:

Bormașina nu funcționează:

- controlați dacă cablul de alimentare este conectat corect sau controlați siguranțele,

Bormașina «întrerupe» sau face scânteii:

- controlați și înlocuiți periile de carbon.

ATENȚIE! Înlocuirea periilor de carbon poate fi efectuată doar de un electric autorizat.

- dacă unealta electrică nu funcționează, chiar dacă este conectată la alimentare, trebuie trimisă la un service autorizat pe adresa indicată.

PRODUCĂTOR:

PROFIX Sp. z o.o.,
str. Marywilska 34,
03-228 Varșovia, POLONIA

PROTECȚIA MEDIULUI ÎNCONJURĂTOR:



ATENȚIE: Simbolul prezentat înseamnă interdicția de a amplasa aparatul uzat împreună cu alte deșeuri (sub amenințarea unei amenzi). Componentele periculoase aflate în aparatul electrică și electronică influențează negativ mediul natural și sănătatea oamenilor.

Fiecare gospodărie casnică trebuie să contribuie la redobândirea și refolosirea (recykling) aparaturii uzate. Atât în Polonia, cât și în Europa se organizează sau deja există sistemul de culegere a aparaturii uzate, în cadrul căruia toate punctele de vânzare a respectivei aparaturi sunt obligate să preia aparatura uzată. În plus, există centrele de colectare a acestuia tip de aparatură.

PICTOGRAME:

Explicațiile imaginilor de pe tabelul nominal și de pe etichetele informative.



– *«Înainte de cuplare și de a începe operarea trebuie să citiți prezenta instrucțiune»*



– *«Folosiți întotdeauna ochelari de protecție»*



– *«Folosiți mijloace de protecție auditivă»*



– *«Folosiți întotdeauna măști de praf»*



Politica firmei PROFIX este aceea de perfecționare continuă a produselor sale și de aceea firma își rezervă dreptul de modificare a specificației produsului fără înștiințarea anterioară. Imaginile indicate în instrucțiunile de utilizare sunt doar exemple și se pot diferi puțin de aspectul real al dispozitivului achiziționat.

Prezenta instrucțiune este protejată prin dreptul de autor. Copierea/inmulțirea fără acordul în scris al firmei PROFIX Sp. z.o.o. este interzisă.



LIETOŠANAS INSTRUKCIJA TRIECIENURBJMAŠĪNA TDW1050


Oriģinālās instrukcijas tulkojums



PIRMS DARBA SĀKUMA NEPIECIEŠAMS IEPAZĪTIES AR ŠO INSTRUKCIJU.

Saglabā instrukciju varbūtējam turpmākam lietošanai.



BRĪDINĀJUMS! Nepieciešams izlasīt visus brīdinājumus apzīmētus ar simboliem , kuri attiecas uz lietošanas drošību un visus lietošanas drošības norādījumus.

Neievērojot zemāk uzrādītos drošības brīdinājumus un norādījumus attiecībā uz drošību var būt par elektriskās strāvas triecienu, ugunsgrēku un/vai nopietnu traumu iemeslu.

Ievērot visus brīdinājumus un norādījumus attiecībā uz drošību, lai tos turpmāk varētu izmantot.

Zemāk uzrādītos brīdinājumus „elektroinstruments” nozīmē elektroinstrumentu, kurš tiek barots no elektriskā tīkla (ar barošanas vadu) vai elektroinstruments barots no akumulatora (bezvadu).



BRĪDINĀJUMS! Vispārējie instrumenta drošas lietošanu norādījumi.

Darba vietas drošība:

- Darba vietā nepieciešams uzturēt kārtību un labu apgaismojumu. Nekārtība un slikts apgaismojums ir negadījumu iemesls.
- Nedrīkst lietot elektroinstrumentu sprāgstošā, viegli uzliesmojošā, gāzu un putekļainā vidē. Elektroinstrumenta darbības laikā rodas dzirksteles, no kurām var aizdegties putekļi un tvaiki.
- Vietā, kur tiek lietoti elektroinstrumenti nevar atrasties bērni un novērotāji. Novēršot uzmanību var zaudēt kontroli par elektroinstrumentu.



BRĪDINĀJUMS! Vispārējie instrumenta drošas lietošanu norādījumi.

Elektriskā drošība:

- Elektroinstrumenta kontaktdakšīnām jābūt pielāgotām pie kontaktlīdzdām. Nekad nekādā gadījumā nedrīkst mainīt kontaktdakšīņu. Nedrīkst lietot nekādus pagarinātājus gadījumā, ja elektroinstruments ir apgādāts ar vadu ar aizsardzības iezemējuma dzislu. Ja netiek darītas kontaktdakšīņu un kontaktlīdzdu izmaiņas, tas samazina elektriskā triecienu risku.
- Nepieciešams izvairīties no iezemētām virsmām vai savienotām ar masu, kā piemēram caurules, sildītāji, centrālāpkures radiatoru un dzesinātāji. Gadījumā, ja netiek kontakts ar iezemētām vai ar masu savienotām daļām pieaug elektriskās strāvas triecienu risks.
- Nedrīkst pakļaut elektroinstrumentus uz lietus vai mitruma iedarbību. Gadījumā, ja elektroinstrumentā iekļūst ūdens pieaug elektriskās strāvas triecienu risks.
- Nedrīkst pārslogot savienojuma vadus. Nekad nedrīkst lietot savienojuma vadu elektroinstrumenta pārnēsāšanai, vilkšanai vai izvilkst kontaktdakšīņu no kontaktlīdzdas aiz vada. Nepieciešams turēt savienojuma vadu tālu no siltuma avotiem, eļļainām, asām šķautnēm vai kustīgām daļām. Bojāti

vai sapīti savienojuma vadi palielina elektriskās strāvas triecienu risku.

- Gadījumā, ja elektroinstruments tiek lietots ārpusē, savienojuma vadus nepieciešams pagarināt ar pagarinātājiem, kuri ir piemēroti darbam ārpusē. Lietojot pagarinātājus piemērotus darbam ārpusē samazinās elektriskās strāvas triecienu risks.
- Ieteicams ierīci pievienot pie elektriskā tīkla, kurš ir aprīkots ar RCD slēdzi ar 30mA vai mazāku izslēgšanas strāvu.
- Gadījumā, ja ir nepieciešamība lietot elektroinstrumentu mitrā vidē, par sprieguma aizsardzību nepieciešams lietot strāvas starpības ierīci (RCD). Lietojot RCD samazinās elektriskās strāvas triecienu risks.



BRĪDINĀJUMS! Vispārējie instrumenta drošas lietošanu norādījumi.

Individuālā drošība:

- Šī ierīce nav piemērota lietot cilvēkiem (tai skaitā bērniem) ar ierobežotām fiziskām, jūtības un psihiskām spējām, vai cilvēkiem bez ierīces darbības pieredzes vai zināšanām, izņemot, ja tas notiek uzraudzībā vai saskaņā ar ierīces lietošanas instrukciju, ar kuru ir iepazinušās par drošību atbildīgas personas.
- Elektroinstrumenta lietošanas laikā nepieciešams būt tālredzīgiem, novērot kas notiek un saglabāt skaidru saprāti. Nedrīkst lietot elektroinstrumentu noguruma laikā vai narkotisku vielu, alkohola vai zāļu iedarbībā. Neuzmanības mirklis strādājot ar elektroinstrumentu var radīt nopietnas ķermeņa traumas.
- Nepieciešams lietot individuālos aizsardzības līdzekļus. Vienmēr nepieciešams lietot aizsargbrilles. Lietojot attiecīgos apstākļos aizsardzības līdzekļus, tādas kā putekļu maskas, neslidošus apavus, ķiveres vai dzirdes aizsardzības līdzekļus, samazināsies individuālās traumas.
- Nepieciešams izvairīties no neparedzētām kustībām. Pirms pieslēgšanas pie barošanas avota un/vai pirms akumulatora pieslēgšanas kā arī pirms tam, kad paceļam vai pārceļam ierīci nepieciešams pārliecināties, ka elektroinstrumenta slēdzis atrodas izslēgšanas stāvoklī. Pārnēsāt elektroinstrumentu ar pirkstu uz slēdža vai barošanas tīklā pieslēgtu elektroinstrumentu pie ieslēgta slēdža var būt par negadījuma iemeslu.
- Pirms elektroinstrumenta palaišanas nepieciešams novākt visas atslēgas. Atslēga atstāta rotējošā elektroinstrumenta tuvumā var radīt individuālas traumas.
- Nedrīkst pārlieku tālu izlikties. Visu laiku nepieciešams stāvēt stabili un saglabāt līdzsvaru. Tas dos iespēju neparedzētās situācijās labāk kontrolēt elektroinstrumentu.
- Nepieciešams attiecīgi ģērbties. Nedrīkst nēsāt vaļīgas apģērbus vai rotas lietas. Nepieciešams turēt savus matus, apģērbu un cimdus tālu no kustīgām daļām. Vaļīgs apģērbs, rotas lietas vai gari mati var tikt aizķerti ar kustīgām daļām.
- Ja ierīce ir pielāgota ārējai putekļu sūkšanai un putekļu uzsūkšanai, nepieciešams pārliecināties, ka tie ir pieslēgti un pareizi lietoti. Lietojot putekļu sūcēju var samazināt putekļu

ieelpošanas bīstamību.



BRĪDINĀJUMS! Vispārējie instrumenta drošas lietošanu norādījumi.

Lietošana un gādība par elektroinstrumentu:

- a) **Nedrīkst pārslēgt elektroinstrumentu.** Nepieciešams piemērot elektroinstrumentu veiktajam darbam. Pareizs elektroinstruments nodrošinās labāku un drošāku darbu pie slodzes, kādam tas tika projektēts.
- b) **Nedrīkst lietot elektroinstrumentu, ja slēdzis to neieslēdz un neizslēdz.** *Katrs elektroinstruments, kuru nevar ieslēgt vai izslēgt ar slēdzi ir bīstams un to nepieciešams labot.*
- c) **Nepieciešams atvienot elektroinstrumenta kontaktdakšīņu no barošanas avota un/vai atslēgt akumulatoru pirms tiek veikta jebkāda uzstādīšana, detaļu maiņa vai instrumenta glabāšana.** Tādas drošības darbības reducē neparedzētu elektroinstrumenta palaišanu.
- d) **Nelietotu elektroinstrumentu nepieciešams glabāt bērniem nepieejamās vietās un nedrīkst atļaut personām, kuras nav iepazinušas ar elektroinstrumentu vai šo lietošanas instrukciju lietot elektroinstrumentu.** Elektroinstrumenti ir bīstami neapmācītu lietotāju rokās.
- e) **Elektroinstrumentu nepieciešams konservēt.** Nepieciešams pārbaudīt asu sakrītību vai kustīgo daļu iekļīšanās, detaļu plīsumus un visus apstākļus, kuri varētu ietekmēt elektroinstrumenta darbu. Ja tiek konstatēts bojājums, elektroinstrumentu pirms lietošanas nepieciešams salabot. Daudzu negadījumu iemesls ir nepareiza elektroinstrumenta konservācija.
- f) **Griezējinstrumentiem jābūt asiem un tīriem.** Attiecīgi uzturēti asi griezējinstrumenta asmeņi samazina iekļīšanās iespējas un atvieglo apkalpošanu.
- g) **Elektroinstrumentu, aprīkojumu, darba instrumentus un tml. nepieciešams lietot saskaņā ar šo instrukciju, ņemot vērā darba apstākļus un veicamo darbu.** Lietot elektroinstrumentu tam neparedzētā veidā var novest pie bīstamām situācijām.
- h) **Zemās temperatūrās vai pēc ilgāka nelietošanas laika, ieteicams uz pāris minūtēm ieslēgt elektroinstrumentu bez slodzes, lai piedziņas mehānismā sāktu pareizi darboties smērējļa.**
- i) **Elektroinstrumentu tīrīšanai lietot mikstu, mitru (ne slapju) drānu un ziepes.** Nelietot benzīnu, šķīdinātājus un citus līdzekļus, kuri varētu sabojāt ierīci.
- j) **Elektroinstrumentu nepieciešams glabāt / transportēt iepriekš pārliecinoties, ka visas kustīgās daļas ir nobloķētas un nodrošinātas pret atbloķēšanu ar oriģināliem šim nolūkam paredzētiem elementiem.**
- k) **Elektroinstrumentu nepieciešams glabāt sausā, no putekļiem un mitruma sargātā vietā.**
- l) **Elektroinstrumenta transportēšanu jāveic oriģinālā iepakojumā, kurš pasargā no mehāniskiem bojājumiem.**



BRĪDINĀJUMS! Vispārējie instrumenta drošas lietošanu norādījumi.

Remonts:

- a) **Savu elektroinstrumentu garantijas un pēcgarantijas remontus veic PROFIX serviss, kas garantē visaugstāko remonta kvalitāti kā arī tiek izmantotas oriģinālas rezerves daļas.**



BRĪDINĀJUMS!

Darba laikā ar elektrisko instrumentu ieteicams vienmēr ievērot galvenos drošības principus, lai izvairītos no ugunsgrēka, elektriskās strāvas trieciena vai mehāniskām traumām.



BRĪDINĀJUMS! TRIECIENURBJEĀŠĪNA, drošības brīdinājumi –

Individuālā drošība:

- a) **Strādājot ar triecienuvārdienu lietot dzirdes aizsardzības līdzekļus.** *Trokšņa iedarbība var zaudēt dzirdi.*
- b) **Veicot darbus, kur darba instruments varētu trāpīt uz noslēptiem elektriskiem vadiem vai uz pašu barošanas vada, elektroinstrumentu nepieciešams turēt pie roktura izolētām virsmām.** *Kontakts ar barošanas tīkla vadu, kurš ir zem sprieguma var radīt sprieguma pārvešanu uz elektroinstrumenta metāla daļām kā rezultātā var notikt elektriskās strāvas trieciens.*
- c) **Nepieciešams lietot attiecīgas meklēšanas ierīces, lai lokalizētu slēptus barošanas vadus vai lūgt pilsētas dienestu palīdzību.** *Kontakts ar vadiem, kuri ir zem sprieguma var novest līdz ugunsgrēkam vai elektriskās strāvas triecienam. Gāzes vada bojājums var novest līdz sprādzienam. Ūdensvada pārraušana rada materiālus zaudējumus vai notikt elektriskās strāvas trieciens.*
- d) **Neapstrādājiet materiālus, kas satur azbestu.** *Azbestam piemīt kancerogēnu asīpašības.*
- e) **Darba vietu nepieciešams uzturēt tīru.** *Materiālu maisījumi ir sevišķi bīstami. Metāla putekļi var viegli aizdegties un uzsprāgt.*
- f) **Apstrādājamo priekšmetu nepieciešams nostiprināt.** *Pārļiecināties, ka visi stiprināšanas elementi ir nostiprināti un pārbaudīti, lai nebūtu pārmeģas pielāides. Apstrādājamo priekšmetu ir drošāk nostiprināt stiprināšanas ierīcē vai skrūvspīlēs nekā turēt to rokā.*
- g) **Instrumentus lietot kopā ar papildus patronu pievienotu pie instrumenta.** *Zaudējot kontroli var operatoram rodas traumu bīstamība.*
- h) **Elektroinstrumentu darba laikā nepieciešams stipri turēt abās rokās aiz galvenā roktura un palīgroktura, ievērot stabilu pozīciju.** *Elektroinstrumentu drošāk vadīt abās rokās.*
- i) **Elektroinstrumentu nepieciešams nekavējoties izslēgt, kad bloķējas lietotais griezējinstrumenti. Nepieciešams būt gatavam lielai vibrācijai, kura var radīt atmešanu.** *Lietotais instruments bloķējas, ja elektroinstruments ir pārslēgots vai saliecis apstrādājamā priekšmetā.*
- j) **Pārtraucot darbu, instrumentu maiņas, remonta, tīrīšanas vai regulēšanas laikā nepieciešams atslēgt mašīnu no elektriskā tīkla.** *Pirms elektroinstrumenta nolikšanas pagaidīt līdz tas apstājas. Darba instruments var iebloķēties, kas rada kā tiek zaudēta kontrole par elektroinstrumentu.*
- k) **Elektroinstrumentu nedrīkst lietot ar bojātu barošanas vadu.** *Nedrīkst pieskarties pie bojāta vada; ja vads tiek bojāts darba laikā, nepieciešams izvilkt kontaktdakšīņu no kontaktdakšīņas. Bojāti vadi palielina elektriskās strāvas trieciena risku.*

- l) Ja elektroinstrumenta barošanas vads tiek bojāts, to jāapmaina ar savienojuma vadu, kurš ir pieejams servisa punktā.

URBJMAŠĪNAS PIELIETOJUMS UN UZBŪVE:

Triecienuurbjmašīna ir paredzēta caurumu urbšanai kokā, metālā, plastmasā, keramikā, urbšanai ar triecienu ķieģeli, akmeni un betonā. Ierīce ir apgādāta ar elektronisko regulēšanas sistēmu un labo/kreiso ātrumu, kā arī pielāgota skrūvju ieskrūvēšanai/izskrūvēšanai un vītņošanai.

Kategoriski izslēgts lietot ierīci citos nolūkos.

Triecienuurbjmašīna ar vienfāzes dzinēja piedziņu ir paredzēta mājas un vidēji profesionāliem darbiem. Nav piemērota ilgai darbībai smagos apstākļos. **Nedrīkst lietot ierīci veicot darbus, kur nepieciešams lietot profesionālas ierīces.**

Aizliegtas elektroinstrumentu pielietot neatbilstoši augstāk uzrādītam pielietojumam, tas rada garantijas zaudēšanu kā arī ražotājs neatbild par šādā veidā radītiem zaudējumiem.

Jebkādas ierīces modifikācijas, kuras veic lietotājs atbrīvo ražotāju no atbildības par bojājumiem un zaudējumiem, kuri nodarīti lietotājam un apkārtējiem.

Pareiza elektroinstrumenta lietošana attiecas arī uz konservāciju, glabāšanu, transportu un remontu.

Elektroinstrumentu drīkst lietot tikai ražotāja uzrādītos servisa punktus. Ierīces, kuras tiek barotas no elektriskā tīkla drīkst lietot tikai pilnvarotas personas.

Neskatoties uz pielietojumam paredzēto lietošanu nevar pilnībā izslēgt atsevišķus riska elementus. Ņemot vērā mašīnas konstrukciju un uzbūvi var rasties sekojošas bīstamības:

- Operatora rokas, apģērba vai barošanas vada pieskāšanās pie rotējoša urbjja darba laikā.
- Aplaušanās mainot urbi. (Darba laikā urbis ļoti stipri sakarst, lai novērstu aplaušanos to mainot nepieciešams lietot aizsargcimdus).
- Apstrādājamā priekšmeta vai tā daļu atmešana.
- Urbja saliekššanās/salaušana.

■ Komplektācija

- Triecienuurbjmašīna - 1 gab.
- Palīgrokturis - 1 gab.
- Urbšanas dziļuma ierobežotājs - 1 gab.
- Urbju patronas atslēga - 1 gab.
- Apkalpošanas instrukcija - 1 gab.
- Garantijas karte - 1 gab.

■ Ierīces elementi (skat. zīm.: A, B, C)

Ierīces elementu numerācija attiecas uz grafisko zīmējumu, kurš atrodas apkalpošanas instrukcijas 2.lapasē:

1. Atslēgas urbjmašīnas patrona
2. Darba režīma slēdzis **urbšana bez triecienu / ar triecienu**
3. Apgriezienu virziena maiņas slēdzis
4. Slēdža bloķēšana
5. Griešanās ātruma regulācija
6. Slēdzis
7. Galvenais rokturis
8. Palīgrokturis
9. Urbšanas dziļuma ierobežotājs
10. Urbju patronas atslēga

TEHNISKIEDATI:

MODELIS	TDW1050
Barošanas spriegums	220-230 V
Barošanas frekvence	50 Hz
Jauda	1050 W
Griešanās ātrums bez slodzes	0-2800 /min
Urbjmašīnas patrona (atslēgas)	13 mm
Maksimālais urbšanas diametrs	tērauds - 10 mm
	betons - 13 mm
	koks - 25 mm
Masa (bez aprīkojuma)	3,0 kg
Ierīces klase	□/II
Aizsardzības pakāpe	IP20
Akustiskā spiediena līmenis LpA	92,3 dB(A)
Akustiskās jaudas līmenis LwA	103,3 dB(A)
Vibrācijas līmenis atbilstoši normai EN 60745-2-1:2010	
urbšana bez triecienu (metāla) galvenais rokturis a _{hb}	3,914 m/s ²
urbšana ar triecienu (betons) a _{hb}	14,953 m/s ²
mērījumu izkliede K=1,5 m/s ²	

Uzrādītais vibrācijas līmenis ir reprezentatīvs elektroinstrumenta pamata lietošanai. Ja elektroinstrumentu tiek lietots citos nolūkos vai ar citiem darba instrumentiem, vai arī ja nebūs pietiekami konservēts, vibrācijas līmenis var atšķirties no uzrādītā. Augstāk uzrādītie iemesli var radīt vibrācijas ekspozīcijas palielināšanos visā darba laikā.

Nepieciešams realizēt papildus drošības līdzekļus, kuri pasargās operatoru no vibrācijas ekspozīcijas, piem.: Elektroinstrumenta un darba instrumenta konservācija, atbilstošas roku temperatūras nodrošināšana, darba operāciju veikšanas secības noteikšana.

PIRMS DARBAS SĀKUMA:

1. Pārliedzieties, ka barošanas avota parametri atbilst parametriem uzrādītiem urbjmašīnas plāksnītes.
2. Pārliedzieties, ka urbjmašīnas slēdzis ir izslēgšanas stāvoklī un slēdža bloķēšana (4) ir atbrīvota. Nedrīkst noliekt strādājošu urbjmašīnu, kad bloķēšana ir ieslēgta. Bloķēšanas izslēgšana notiek atkārtoti nospiežot slēdzi (6).
3. Palīgrokturis (8) uzstāda aplikot raktu stiprināšanas gredzenu ap urbjmašīnas korpusu un nofiksēt to ieskrūvējot raktu skrūvi. Urbšanas dziļuma ierobežotāju (9) nepieciešams iebidēt palīgroktura caurumā un nofiksēt ieskrūvējot palīgroktura skrūvi.
4. Gadījumā, ja strādā ar pagarinātāju nepieciešams pārliedzieties, ka pagarinātāja parametri, vadu šķērsriezums atbilst urbjmašīnas parametriem. Ieteicams lietot pēc iespējas īsus pagarinātājus. Pagarinātājam jābūt pilnībā attītam.

DARBA LAIKĀ:

■ Urbja izvēle

Urbjot betonā, ķieģeli, akmeni lietot betona urbi. Urbjot metālā, plastmasā, kokā (cauruma diametrs līdz 6 mm) lietot metāla urbi. Urbjot kokā caurumu diametru lielākus par 6 mm lietot koka urbjju.

■ Urbja stiprināšana


Iebīdīt urbi līdz atdurei atbrīvotā urbjmašīnas patronā (1) un nofiksēt to spasiņot žokļus ar ārējo gredzenu lietojot atslēgu (10), patronas korpusā atrodas attiecīgi trīs caurumi (skat. zīm.: B).

■ Urbšanas dziļuma uzstādīšana


Ar urbjmašīnas dziļuma ierobežotāju (9) var uzstādīt urbjšanas dziļumu. Urbšanas dziļuma ierobežotāju izvilkot tik tālu, lai attālums starp urbju galu un dziļuma ierobežotāja galu būtu tik cīk dziļi nepieciešams urbt.

■ Darba režīma pārslēgšana

• Urbšana un skrūvju ieskrūvēšana/izskrūvēšana:

Novietot darba režīma slēdzi (2) stāvokli «urbšana» apzīmēts ar simbolu .

• Urbšana ar triecienu:

Novietot darba režīma slēdzi (2) stāvokli «urbšana ar triecienu» apzīmēts ar simbolu .

UZMANĪBU: Nekad nepārslēgt darba režīmu, kad urbjmašīnas patrona (1) ir kustībā.

■ Apgrīezienu virziena maiņa

Pārīdīt apgrīezienu virziena maiņas slēdzi (3) līdz atdurei vēlamā stāvokli. Apzīmējums pie slēdža uz korpusa: **R** – apgrīezieni pulksteņa rādītāja kustības virzienā, **L** – apgrīezieni pretēji pulksteņa rādītāja kustības virzienam.

UZMANĪBU: Nekad nepārslēgt darba režīmu, kad urbjmašīnas patrona (1) ir kustībā.

■ Ieslēgšana/izslēgšana

Lai ieslēgtu elektroinstrumentu nepieciešams nospriest slēdzi (6) un turēt nospriestu.

Lai bloķētu slēdzi ieslēgšanas stāvokli nepieciešams nospriest slēdža bloķēšanu (4).

Elektroinstrumentu izslēgšanai nepieciešams atbrīvot slēdzi (6), vai ja tas ir bloķēts ar bloķēšanu (4), nospriest to uz brīdi un atlaist.

■ Apgrīezienu ātruma regulēšana

Palielinot vai samazinot spiedienu uz slēdzi (6) var elastīgi regulēt griešanās ātrumu.

Viegls spiediens uz slēdzi (6) rada mazu apgrīezienu ātrumu. Palielinot spiedienu palielinās griešanās ātrums.

■ Apgrīezienu ātruma uzstādīšana

Ar ātruma regulāciju (5) var uzstādīt vēlamo apgrīezienu ātrumu. To var darīt arī darba laikā.

Vēlamais apgrīezienu ātrums ir atkarīgs no apstrādājamā materiāla un darba apstākļiem, un to var noteikti veicot praktisko mēģinājumu.

URBJMAŠĪNAS PATRONAS MAIŅA:



UZMANĪBU: Pirms visiem elektroinstrumenta apkalpošanas darbiem nepieciešams izvilkot kontaktdakšīņu no kontaktlīdzās.

Urbjmašīnas patrona urbjmašīnā ar labo/kreiso kustību ir stiprināta ar kreisās vītnes skrūvi. Pirms urbjmašīnas patronas maiņas noteikti nepieciešams izskrūvēt šo skrūvi ar attiecīgu krustveida skrūvgriezi (PH2) no priekšpusē caur urbjmašīnas caurumu.

Kreisās vītnes skrūvi var atbrīvot tikai griežot pa labi. Urbjmašīnas patronas (1) demontāžai nepieciešams novietot

urbjmašīnu uz stabilas pamatnes, piem. uz darba galdā un pie iegriezumiem, kuri atrodas uz vārpstas pielikt dakšveidīgo atslēgu (17 mm). Ar vienu roku tur patronu, bet ar otru roku pagriezt atslēgu pretēji pulksteņa rādītāja kustības virzienam līdz pilnīgai patronas izskrūvēšanai (skat. zīm. C).

Urbjmašīnas patronas montāžā notiek atgriezeniskā kārtība.

Patronas ligzdā un uz vārpstas vītnes nedrīkst atrasties nekādi netirumi.

DARBA NORĀDĪJUMI:

- Pēc ilgāka darba ar mazu griešanās ātrumu, lai atdzesētu dzinēju nepieciešams ieslēgt elektroinstrumentu apm. 3 minūtes ar maksimālo griešanās ātrumu bez slodzes.
- Lai urbtu caurumus keramiskā flīzē nepieciešams pārslēgt darba režīma slēdzi (2) stāvokli «urbšana». Pēc cauruma izurbšanas keramiskā flīzē darba režīma slēdzi var pārslēgt stāvokli «urbšana ar triecienu» un tālāk strādāt ar triecienu.
- Strādājot betonā, akmeņi un mūri nepieciešams lietot cietsakausējuma urbjus.
- Metāla urbjšanai lietot tikai asus metāla urbjus.

UZMANĪBU: Attiecīga urbja izvēle katram darba veidam nodrošina urbjšanas vibrācijas samazināšanos, kas ievērojami palielina urbjšanas efektivitāti.

- Ieskrūvējot/izskrūvējot skrūves/uzgriežņus darba uzgali pielikt pie skrūves/uzgriežņa, kad urbjmašīna negriežas.

GLABĀŠANA UN KONSERVĀCIJA:

Mašīnai būtībā nav nepieciešama speciāla konservācija. Mašīnu nepieciešams glabāt bērniem nepieejamā vietā, uzturēt tīru, sargāt no mitruma un putekļiem. Glabāšanas apstākļiem jāizslēdz mehānisko bojājumu iespēju kā arī atmosfēras apstākļu iedarbību.

Pēc betona urbjšanas, stipri putekļainā vidē ieteicams ventilācijas atveres un urbjmašīnas rokturi izpūst ar saspiesto gaisu. Tas novērsīs gultnu defektu, likvidēs putekļus, kuri bloķē dzinēja dzesēšanas gaisu.

TRANSPORTS:

Urbjmašīnu transportēt un glabāt iepakojumā, kurš sargā no mitruma, putekļiem un smalkiem elementiem, it īpaši nepieciešams nodrošināt ventilācijas atveres. Smalkie elementi, kuri iekļūst korpusa iekšpusē var sabojāt dzinēju.

TIPISKIE DEFEKTI UN TO NOVĒRŠANA:

Urbjmašīna nedarbojas:

- pārbaudīt vai barošanas vads ir pareizi pieslēgts un pārbaudīt drošinātāju,

Urbjmašīna «pārtrauc darbu» vai dzirksteļo:

- pārbaudīt un apmainīt ogļišu suku.

UZMANĪBU! Ogļišu suku var mainīt tikai pilnvarots elektriķis.

- ja elektroinstruments nedarbojas, neskatoties uz to ka ir spriegums, to nepieciešams nosūtīt uz remonta servisa punktu. Adrese uzrādītas garantijas kartē.

RAŽOTĀJS:

PROFIX SIA,

Maryvilka iela 34,
03-228 Varšava, Polija

VIDES AIZSARDZĪBA:



UZMANĪBU: Tajā veidā apzīmētus izstrādājumus, neizpildes gadījumā paredzot naudas sodu, nedrīkst izmest kopā ar parastiem atkritumiem. Elektriskajā un elektroniskajā iekārtā esošas briesmīgas vielas var kaitēt apkārtējai videi un cilvēku veselībai.

Nepieciešams veicināt iekārtu atkritumu pārstrādāšanu un atkārtotai izmantošanai (reciklēšanai). Polijā un Eiropā tiek veidots, vai jau eksistē, iekārtu atkritumu vākšanas sistēma, saskaņā ar ko visiem iepriekšminētās iekārtas pārdošanas punktiem ir pienākums pieņemt nolietotu iekārtu. Turklāt, ir pieejamas iepriekšminētās iekārtas vākšanas punkti.

PIKTOGRAMMAS:

Apzīmējumu skaidrojums, kuri atrodas uz plāksnītes un informācijas uzlīmēm.



– «**Pirms ieslēgšanas un darba sākuma nepieciešams iepazīties ar šo instrukciju**»



– «**Lietot dzirdes aizsardzības līdzekļus**»



– «**Vienmēr lietot aizsargbrilles**»



– «**Lietot putekļu maskas**»



Firmas PROFIX politika ir nepārtraukta savu produktu pilnveidošanas politika, tāpēc firma sev rezervē tiesības ievest izstrādājuma specifikācijas izmaiņas bez iepriekšējas paziņošanas. Zīmējumi, kuri uzrādīti apkalpošanas instrukcijā kalpo tikai kā piemērs un var nedaudz atšķirties no iegādātās ierīces reālā izskata.


Šī instrukcija ir sargāta ar autortiesībām. Aizliegts to kopēt/pavairot bez PROFIX SIA rakstiskas atļaujas.



PŘED ZAHÁJENÍM POUŽÍVÁNÍ SE SEZNAMTE S TÍMTO NÁVODEM.

Uchovávejte návod pro případné další použití.



POZOR! Přečtěte si všechny výstrahy týkající se bezpečnosti používání označené symbolem  a veškeré pokyny týkající se bezpečnosti používání.

Nedodržování uvedených bezpečnostních výstrah a bezpečnostních pokynů může být příčinou zásahu elektrickým proudem, požáru a/nebo závažných úrazů.

Uchovávejte výstrahy a pokyny týkající se bezpečnosti pro případné použití v budoucnosti.

V níže uváděných výstrahách pojem „elektronářadí“ znamená elektronářadí napájené z elektrické sítě (elektrickým vodičem) nebo elektronářadí napájené baterií (bezdrátové).



VÝSTRAHA! Všeobecné výstrahy týkající se bezpečného používání nářadí.

Bezpečnost na pracovišti:

- Udržujte na pracovišti pořádek a zajistěte zde dobré osvětlení. Nepořádek a špatné osvětlení často zapříčiňují nehody.
- Nepoužívejte elektronářadí ve výbušném prostředí tvořeném hořlavými tekutinami, plyny nebo prachem. Elektronářadí vytváří jiskry, které by mohly zapálit prach nebo výpary.
- Nepouštějte děti ani jiné pozorovatele na místa, kde se používá elektronářadí. Rušení pozornosti může způsobit ztrátu kontroly nad elektronářadím.



VÝSTRAHA! Všeobecné výstrahy týkající se bezpečného používání nářadí.

Elektrická bezpečnost:

- Zástrčky nářadí musí odpovídat zásuvkám. Nikdy žádným způsobem nepředělávejte zástrčky. V případě elektronářadí, které má vodič s ochranným uzemněním, nepoužívejte žádné prodlužovačky. Původní nepředělané zástrčky a zásuvky snižují riziko zásahu elektrickým proudem.
- Vyvarujte se dotýkání uzemněných ploch nebo takových, které jsou spojené s hmotou, jako jsou trubky, ohřivače, radiátory ústředního topení a chladničky. V případě dotýkání takových ploch a předmětů roste riziko zásahu elektrickým proudem.
- Nevystavujte elektronářadí na působení deště nebo vlhka. Pokud by se do elektronářadí dostala voda, roste riziko zásahu elektrickým proudem.
- Kabely se nesmí žádným způsobem namáhat. Nikdy nepoužívejte kabel k nošení, tažení elektronářadí nebo k vytažování zástrčky ze zásuvky. Kabel musí být umístěn daleko od zdrojů tepla, oleje, ostrých hran nebo pohyblivých částí. Poškozené nebo propletené kabely zvyšují riziko zásahu elektrickým proudem.
- V případě, že se elektronářadí používá venku, je třeba prodlužovat elektrické kabely prodlužovací určenými na práci venku. Používání prodlužovače určeného do venkovního prostředí snižuje riziko zásahu elektrickým proudem.
- Doporučuje se připojení zařízení k elektrické síti vybavené

proudovým chráničem (RCD) s vypínacím proudem 30mA nebo menším.

- Pokud je nezbytné použití elektronářadí ve vlhkém prostředí, je třeba použít jako ochranu proudový chránič (RCD). Použití RCD snižuje riziko zásahu elektrickým proudem.



VÝSTRAHA! Všeobecné výstrahy týkající se bezpečného používání nářadí.

Osobní bezpečnost:

- Toto zařízení nesmí používat osoby (včetně dětí) s omezenou fyzickou, smyslovou nebo psychickou schopností, nebo osoby, které nemají odpovídající zkušenosti nebo znalosti zařízení, leda že je používají s příslušným dozorem, nebo v souladu s návodem na používání zařízení, který jim předají osoby zodpovědné za jejich bezpečnost.
- Při používání elektronářadí je třeba být předvídavý, pozorovat, co se děje, a používat zdravý rozum. Nepoužívejte elektronářadí, pokud jste unaveni nebo pod vlivem drog, alkoholu nebo léků. Chvilce nepozornosti při práci s elektronářadím může způsobit závažné osobní úrazy.
- Je třeba používat osobní ochranné prostředky. Je třeba vždy používat ochranné brýle. Používání v příslušných podmínkách takových ochranných prostředků, jako je protiprachová respirační maska, protiskluzová obuv, přilba nebo chrániče sluchu, snižují nebezpečí osobních úrazů.
- Je třeba se vyhnout neplánovanému spuštění. Před připojením k elektrickému zdroji a/nebo před zapojením baterie a než se nářadí zvedne, nebo přenese, je třeba se ujistit, že je vypínač elektronářadí v poloze vypnuto. Přenášení elektronářadí s prstem na vypínači nebo připojení elektronářadí do sítě se zapojeným vypínačem může být příčinou nehody.
- Před spuštěním elektronářadí je třeba odstranit všechny klíče. Ponechání klíče v otáčející se části elektronářadí může způsobit poranění.
- Je zakázáno přilížit se naklánět. Po celou dobu musíte stát pevně a udržovat rovnováhu. Umožní Vám to dobře kontrolovat elektronářadí při nepředvídatelných situacích.
- Je třeba mít vhodné oblečení. Při práci nenoste volné oblečení ani bižuterii. Je třeba zajistit, aby Vaše vlasy, oblečení a rukavice byly v bezpečné vzdálenosti od pohyblivých částí. Volné oblečení, bižuterie nebo dlouhé vlasy se mohou zachytit do pohyblivých částí.
- Pokud je zařízení přizpůsobeno na napojení k vnějšímu odsávání prachu a pohlcovači prachu, ujistěte se, že jsou připojeny a řádně se používají. Použitím pohlcovači prachu můžete omezit nebezpečí závislé na prašnosti.



VÝSTRAHA! Všeobecné výstrahy týkající se bezpečného používání nářadí.

Používání elektronářadí a péče o ně:

- Elektronářadí se nesmí přetěžovat. Je třeba používat elektronářadí s výkonem vhodným pro provádění určité práce. Správné elektronářadí umožní lepší a bezpečnější práci se zátěží, na kterou bylo naprojektováno.

- b) Elektronářadí, u kterého nefunguje spínač, se nesmí používat. Každé elektronářadí, které nelze zapínat nebo vypínat spínačem, je nebezpečné a je třeba je opravit.
- c) Před provedením každého seřízení, výměny součástky nebo před skladováním odpojte zástrčku elektronářadí od zdroje elektrického proudu a/nebo odpojte baterii. Takový bezpečnostní postup omezuje riziko náhodného spuštění elektronářadí.
- d) Nepoužívané elektronářadí uchovávejte mimo dosah dětí a nedovolte přístup osobám, které nejsou obeznámené s elektronářadím nebo s tímto návodem na používání elektronářadí. Elektronářadí může být nebezpečné v rukách nevyškolených uživatelů.
- e) Elektronářadí je třeba udržovat. Je třeba kontrolovat sousost nebo zaseknutí pohyblivých částí, praskliny součásti a veškeré další faktory, které by mohly ovlivnit činnost elektronářadí. Pokud zjistíte poškození, musíte elektronářadí před použitím opravit. Příčinou mnohých nehod je neodborná údržba elektronářadí.
- f) Řezací nástroje musí být ostré a čisté. Řádná údržba ostrých hran řezacích nástrojů snižuje pravděpodobnost zaseknutí a usnadňuje obsluhu.
- g) Elektronářadí, vybavení, pracovní nástroje apod. používejte v souladu s tímto návodem, při čemž zohledňujte pracovní podmínky a druh prováděné práce. Používání jiným způsobem, pro který není elektronářadí určeno, může způsobit nebezpečné situace.
- h) V nízkých teplotách, nebo pokud se nářadí po delší dobu nepoužívá, doporučuje se zapnout elektronářadí bez zátěže po dobu několika minut za účelem řádného promazání mechanismu pohonu.
- i) K čištění elektronářadí použijte měkký, vlhký (ne mokry) hadřík a mýdlo. Nepoužívejte benzin, rozpouštědla a další prostředky, které by mohly poškodit zařízení.
- j) Elektronářadí je třeba skladovat / dopravovat až potom, co se ujistíte, že jsou veškeré jeho pohyblivé součásti zablokované a zajištěné proti odblokování s použitím původních součástek určených k tomuto účelu.
- k) Elektronářadí skladujte na suchém místě chráněném proti prachu a průniku vlhkosti.
- l) Doprava elektronářadí by měla probíhat v původním obalu tak, aby bylo chráněné proti mechanickému použití.
- narazit na skryté elektrické vedení nebo na vlastní napájecí vodič, držte elektronářadí za izolované plochy držáku. Styk s elektrickým vedením může způsobit předání napětí na kovové součástky elektronářadí, což by mohlo v důsledku způsobit úraz elektrickým proudem.
- c) Používejte vhodné vyhledávací nástroje na zjištění skrytých elektrických vedení, nebo požádejte o pomoc správce budovy. Styk s vedením, které je pod napětím, může vést k vzniku požáru nebo k úrazu elektrickým proudem. Poškození plynového potrubí může způsobit výbuch. Průnik do vodovodního potrubí způsobí věcné škody.
- d) Nezpracovávejte materiál obsahující azbest. Azbest způsobuje onemocnění nádorovou nemocí.
- e) Udržujte pracoviště čisté. Obzvláště nebezpečné bývají směsi materiálů. Prach z lehkého kovu se může vznítit nebo vybuchnout.
- f) Předmět, který zpracováváte, je třeba zajistit. Ujistěte se, zda jsou všechny upevňující svěrky stažené a zkontrolujte, jestli není uchycení volné. Upevnění obráběného předmětu v držáku nebo svěrku je bezpečnější než jeho držení rukou.
- g) Používejte elektronářadí s přídatnými držáky, které jsou součástí dodávky. Ztráta kontroly může způsobit zranění obsluhy.
- h) Elektronářadí je třeba při práci pořádně držet oběma rukama za hlavní držák a pomocný držák a udržovat stabilní postoj. Je vhodné z bezpečnostních důvodů vést elektronářadí v obou rukách.
- i) Pokud by se nástroj zasekl, je třeba elektronářadí okamžitě vypnout. Musíte být v takové situaci připraveni na vysoké vibrace, které způsobí zpětný ráz. Nástroj se může zaseknout, když je elektronářadí přetížené nebo když se v obráběném předmětu zkrví.
- j) Při pracovním přestávce, během výměny nástrojů, oprav, čištění nebo nastavování je třeba zařízení odpojit od přívodu elektrického proudu. Dříve, než elektronářadí odložíte, počkejte, až se zcela zastaví. Pracovní nástroj se může zaseknout, což může způsobit ztrátu kontroly nad nářadím.
- k) Nepoužívejte elektronářadí s poškozeným vodičem napájení. Nedotýkejte se poškozeného vodiče; v případě, že dojde k poškození vodiče během práce, vytáhněte zástrčku ze zásuvky. Poškozené vodiče zvyšují riziko zásahu elektrickým proudem.
- l) Pokud je vodič napájení elektronářadí poškozený, musí se v servisu vyměnit za bezvadný.



VÝSTRAHA! Všeobecné výstrahy týkající se používání nářadí.

Oprava:

- a) Záruční a pozáruční opravy svého elektronářadí provádí Servis PROFIX, což zaručuje nejvyšší kvalitu oprav a používání původní náhradních dílů.



VÝSTRAHA! PŘÍKLEPOVÁ VRTAČKA, výstrahy týkající se bezpečnosti –

Osobní bezpečnost:

- a) Při práci s příklepovou vrtačkou používejte chrániče sluchu. Vystavení se nadměrnému hluku může způsobit ztrátu sluchu.
- b) Během provádění prací, při nichž by mohl pracovní nástroj

URČENÍ A KONSTRUKCE VRTAČKY:

Příklepová vrtačka je určená na vrtnání otvorů ve dřevě, kovu, umělých hmotách, keramice, k vrtnání s přiklepem v cihlách, kameni a betonu. Zařízení je vybaveno systémem elektronického nastavení chodu doprava /doleva a je také vhodné na zašroubování/vyšroubování šroubu a na závitování.

Je kategoriicky vyloučeno využívat zařízení k jakýmkoliv jiným účelům.

Příklepová vrtačka má pohon jednofázovým motorem a je určená k práci v domácnosti i k průmyslovému využití s průměrnou intenzitou. Není vhodná k dlouhodobým pracím v těžkých podmínkách. **Nářadí se nesmí používat k provádění prací vyžadujících použití profesionálního zařízení.**

Každé použití zařízení jinak, než to vyplývá z jeho výše uvedeného určení, je zakázáno, způsobuje ztrátu záruky a osvobozuje výrobce od odpovědnosti za takto způsobené škody.

Jakékoliv úpravy zařízení prováděné uživatelem osvobozuje výrobce od odpovědnosti za poškození a škody způsobené uživateli a v okolí.

Správné používání elektronářadí se týká také údržby, skladování, dopravy a oprav.

Elektronářadí mohou opravovat pouze servisní opravny určené výrobcem. Zařízení, které je napájeno ze sítě, by měly opravovat pouze osoby, které jsou k tomuto oprávněny.

I při používání nářadí v souladu s jeho určením nelze zcela eliminovat určité rizikové faktory. Vzhledem ke konstrukci a stavbě stroje se mohou vyskytnout následující ohrožení:

- Dotek během práce otáčejícího se vrtáku rukou nebo oděvem obsluhy, vodičem napájení.
- Popáleniny při výměně vrtáku. (Během práce se vrták velmi zahřívá, pro ochranu proti popálení používejte při výměně vrtáku rukavice).
- Zpětný ráz zpracovávaného předmětu nebo jeho části.
- Zkřivení / zlomení vrtáku.

■ Kompletace

- Příklepová vrtačka - 1 ks.
- Pomocný držák - 1 ks.
- Omezovač hloubky vrtání - 1 ks.
- Klíč ke sklíčidlu s ozubeným vřecem - 1 ks.
- Návod na obsluhu - 1 ks.
- Záruční list - 1 ks.

■ Součásti zařízení (viz obr. A, B, C)

Číslování součástí zařízení se vztahuje ke grafickému znázornění umístěnému na stránce 2 návodu na obsluhu:

1. Sklíčidlo na klíč
2. Přepínač pracovního režimu **vrtání bez příklepu / s příklepem**
3. Přepínač směru otáček
4. Blokování vypínače
5. Knoflík nastavení rychlosti otáček
6. Vypínač
7. Hlavní držák
8. Pomocný držák
9. Omezovač hloubky vrtání
10. Klíč na sklíčidlo

TECHNICKÉ ÚDAJE:

MODEL	TDW1050
Jmenovité napětí	220-230 V
Jmenovitý kmitočet	50 Hz
Odebíraný výkon	1050 W
Rychlost otáček bez zátěže	0-2800 /min
Sklíčidlo (na klíč)	13 mm
Maximální průměr vrtán	ocel - 10 mm
	beton - 13 mm
	dřevo - 25 mm
Hmotnost (bez příslušenství)	3,0 kg
Třída zařízení	□/II
Stupeň ochrany	IP20

Hladina akustického tlaku (LpA)	92,3 dB(A)
Hladina akustického výkonu (LwA)	103,3 dB(A)
Úroveň vibrací podle normy EN 60745-2-1:2010	
vrtání bez příklepu (kov) hlavní držák a_{hb}	3,914 m/s ²
vrtání s příklepem (beton) a_{hb}	14,953 m/s ²
tolerance měření $K=1,5$ m/s ²	

Uvedená úroveň vibrací platí pro základní použití elektronářadí. Pokud by bylo elektronářadí použito jinak nebo s jinými pracovními nástroji, a také pokud nebude prováděna dostatečná údržba, úroveň vibrací se může lišit od uvedené. Výše uvedené důvody mohou způsobit zvýšení vystavení vibracím během celé doby práce.

Je třeba uplatnit další bezpečnostní prostředky, jejichž účelem je ochrana obsluhy pily proti důsledkům vystavení vibracím, např.: údržba elektronářadí a pracovních nástrojů, zajištění vhodné teploty rukou, určení pořadí pracovních úkonů.

PŘED ZAČÁTKEM PRÁCE:

1. Přesvědčte se, že zdroj elektrické energie má parametry odpovídající parametrům vrtačky uvedeným na výrobním štítku.
2. Přesvědčte se, že je vypínač vrtačky ve vypnuté poloze a blokování vypínače (4) je povoleno. Neodkládejte vrtačku za chodu, pokud by bylo blokování zapnuto. Blokování vypnete opětovným stlačením vypínače (6).
3. Pomocný držák (8) se upevňuje přeložením objímky držáku přes vrtací hlavu a dotažením klíčkou. Omezovač hloubky vrtání (9) je třeba nasunout do otvoru v pomocném vrtáku a upevnit dotažením pomocného držáku.
4. Pokud pracujete s prodlužovacím kabelem, upevněte se, že parametry prodlužovacího kabelu, průřezy vodičů, odpovídají parametrům vrtačky. Doporučujeme použití co nejkratší prodlužovačky. Prodlužovačka by měla být zcela rozvinutá.

PŘI PRÁCI:

■ Volba vrtáku

Při vrtání v betonu, cihlách, kamenu použijte vrtáky na beton. K vrtání v kovu, umělé hmotě, dřevě (při průměru otvoru do 6 mm) použijte vrtáky na kov.

K vrtání ve dřevě otvorů s průměrem větším než 6 mm použijte vrtáky na dřevo.

■ Upevnění vrtáku

Zasuňte vrták nadoraz do povoleného sklíčidla (1) a znehybněte jej dotažením čelisti otáčecím vnějším kroužkem s použitím klíče (10), při čemž použijte postupně všechny tři otvory v těle sklíčidla (viz obr. B).


■ Nastavení hloubky vrtání

Omezovačem hloubky (9) lze nastavit hloubku vrtání.

Omezovač hloubky vytáhněte tak daleko, aby vzdálenost mezi koncem vrtáku a koncem omezovače hloubky byla taková, jaká je požadovaná hloubka vrtání.

■ Přepínání pracovního režimu

• Vrtání a zašroubování/vyšroubování šroubů:

Nastavit přepínač pracovního režimu (2) do polohy «vrtání» označené symbolem .

• Vrtání s příklepem:

Nastaví přepínač pracovního režimu (2) do polohy «vrtání s příklepem» označené symbolem - **T**.

POZOR: Nikdy nepřepínejte pracovní režim, pokud je sklíčidlo (1) v pohybu.

■ Změna směru otáček

Přepnete přepínač směru otáček (3) nadoraz do příslušné polohy. Značky na krytu u vypínače: **R** – otáčky ve směru pohybu hodinových ručiček, **L** – otáčky v protisměru pohybu hodinových ručiček.

POZOR: Nikdy nepřepínejte směr otáček, pokud je sklíčidlo (1) v pohybu.

■ Zapínání/vypínání

Za účelem zapnutí elektronářadí je třeba stlačit vypínač (6) a držet jej stlačeným.

Pro zablokování vypínače v zapnuté poloze je třeba stlačit blokování vypínače (4).

Za účelem vypnutí elektronářadí je třeba povolit vypínač (6), nebo – pokud je zablokovaný tlačítkem (4), stlačit krátce vypínač a následně jej povolit.

■ Řízení rychlosti otáček

Zvýšením nebo snížením tlaku na vypínač (6) lze plynule řídit rychlost otáček.

Lehkým stlačením vypínače (6) uvedete zařízení do chodu s nízkou rychlostí otáček. Zvýšením tlaku zvyšujete rychlost otáček.

■ Nastavení rychlosti otáček

Knoflíkem na nastavení rychlosti otáček (5) lze nastavit požadovanou rychlost otáček. Je to možné provést také během práce.

Vyžadovaná rychlost otáček je závislá na zpracovávaném materiálu a pracovních podmínkách, lze ji odhadnout provedením praktické zkoušky.

VÝMĚNA SKLIČIDLA:

Před jakoukoliv prací na elektronářadí je třeba vytáhnout elektrickou zástrčku ze zásuvky.

Pozor: Sklíčidlo u vrtačky s možností otáček doprava/doleva je znehybněno šroubem s levým závitem. Před výměnou sklíčidla je nezbytné tento šroub vyšroubovat s použitím příslušného křížového šroubováku (PH2) z přední strany přes otvor sklíčidla.

Šroub s levým závitem povolíte pouze otáčením doprava.

Pro odmontování vrtacího sklíčidla (1) položit vrtačku na stabilní podklad, např. na pracovní stůl, a uchytit vidlicová klíč (17 mm) do zářezů, které jsou na vřetenu. Přidržet sklíčidlo jednou rukou a druhou otáčet klíčem v protisměru pohybu hodinových ručiček, až bude sklíčidlo zcela vyšroubované (viz obr. C).

Namontování sklíčidla probíhá v opačném pořadí.

V sedle a na závitu sklíčidla nesmí být žádná nečistota.

POKYNY TÝKAJÍCÍ SE PRÁCE:

- Po déle trvající práci s nízkými otáčkami je třeba za účelem zchlazení spustit zařízení na dobu cca 3 minut při maximální rychlosti otáček bez zátěže.
- Pro vrtání otvorů v keramických dlaždicích je třeba přemístit přepínač pracovního režimu (2) do polohy «vrtání». Po vyvrtání otvoru v keramice je třeba přesunout přepínač pracovního režimu do polohy «vrtání s příklepem» a dále pracovat s příklepem.
- Při práci v betonu, kameni a zdivu používejte vrták z tvrdé slitiny.

- Na vrtání v kovu používejte pouze ostré vrtáky na kov.

POZOR: Volba vhodného vrtáku pro každý druh práce Vám zajistí menší vibrace během vrtání, což významně zvýší účinnost vrtání.

- Při zašroubování/vyšroubování šroubů/matic přikládejte pracovní koncovku na šroub/matici, dokud se sklíčidlo netočí.

UCHOVÁVÁNÍ A ÚDRŽBA:

Stroj v podstatě nevyžaduje zvláštní údržbu. Uchovávejte zařízení na dětem nedostupném místě, udržujte je čisté, chráňte proti vlhkosti a zaprášení. Podmínky skladování by měly být takové, aby vyloučily možnost mechanického poškození a působení atmosférických vlivů.

Po vrtání do betonu v silně prašném prostředí se doporučuje přefoukání stlačeným vzduchem ventilačních otvorů a sklíčidla. Zabrání to poškození ložisek a odstraní prach blokující přísun vzduchu chladicího motor.

DOPRAVA:

Vrtačku dopravujte a skladujete v obalu, který ji chrání ji proti vlhkosti, průniku prachu a drobných částic, chráňte především ventilační otvory. Drobné částice, které se dostanou dovnitř krytu, by mohly poškodit motor.

TYPICKÉ PORUCHY A JEJICH ODSTRAŇOVÁNÍ:

Vrtačka nefunguje:

- zkontrolujte, zda je vodič napájení řádně zapojený a zkontrolujte pojistky,

Vrtačka «přerušuje chod» anebo jiskří:

- zkontrolujte uhlíkové kartáče, v případě potřeby je vyměňte.

POZOR! Výměnu uhlíkových kartáčů může provést pouze elektrikář s příslušným oprávněním.

- Pokud elektronářadí stále nefunguje, i když má požadované napájení a má neopotřebované uhlíkové kartáče, odevzdejte je do servisní opravy, jejíž adresa je uvedena v záruce.

VÝROBCE:

PROFIX s.r.o.; ul. Marywilska 34, 03-228 Varšava, Polsko

OCHRANA ŽIVOTNÍHO PROSTŘEDÍ:



POZOR: Zobrazený symbol znamená zákaz likvidace zařízení dohromady s jinými odpady (na porušení zákazu se vztahuje pokuta). Nebezpečné složky, které se nacházejí v elektrickém a elektrotechnickém vybavení mají negativní vliv na životní prostředí a lidské zdraví.

Domácnosti by se měly zapojit do získávání zpět a opětovného využívání (recyklace) starých elektrospotřebičů. V Polsku a v Evropě se tvoří nebo už existuje systém sběru elektroodpadu, v rámci kterého mají všechna prodejní místa elektrospotřebičů povinnost přijímat elektroodpad. Kromě toho existují sběrná místa pro elektroodpad.

PIKTOGRAMY:

Vysvětlení ikon umístěných na firemním štítku a na informačních nálepkách na zařízení:



— «Před spuštěním zařízení si přečtěte návod na obsluhu»



— «Vždy používejte ochranné brýle»



– «Používejte ochranné masky proti prachu»



– «Používejte ochranné masky proti prachu»




Politika firmy PROFIX je politikou průběžného zdokonalování výrobků, z toho důvodu si firma vyhrazuje právo změnit specifikaci výrobku bez předchozího informování. Obrázky, uvedené v návodu na obsluhu, jsou pouze příklady a mohou se lišit od skutečného vzhledu zakoupeného zařízení.

Tento návod je chráněný autorským zákonem. Jeho kopírování / rozmnožování bez písemného souhlasu společnosti PROFIX s.r.o. je zakázané.

**HASZNÁLAT ELŐTT OLVASSA EL EZEKET AZ UTASÍTÁSOKAT!**

Tartsa meg ezt az útmutatót későbbi tájékozódás céljából!



FIGYELEM! Olvassa el a  szimbólummal jelzett, a munkavédelemmel kapcsolatos összes figyelmeztetést és a biztonságos használatra vonatkozó összes utasítást!

A következő biztonsági előírások be nem tartása miatt baleset, áramütés, tűzveszély és/vagy komoly sérülés fordulhat elő

Őrizze meg az összes munkavédelmi figyelmeztetést és utasítást későbbi felhasználás céljából!

Az alábbi figyelmeztetések során használt „elektromos szerszám” kifejezés olyan szerszámot jelöl, melynek áramellátása hálózatról (tápkábellel) vagy akkumulátorral (kábel nélkül) történik.

**FIGYELEM! Általános munkavédelmi szabályok: Munkahelyi biztonság:**

- Tartsa tisztán a munkaterületét és ügyeljen a jó megvilágításra! A munkaterületén uralkodó rendetlenség balesetekhez vezethet.
- Ne dolgozzon elektromos szerszámmal robbanásveszélyes környezetben, gyulladásveszélyes folyadékok, gázok vagy folyadékok közelében. Az elektromos szerszámok használata során szikra keletkezhet, mely belobbanthatja a port és a gőzöket.
- Tartsa távol a gyermekeket attól a helytől, ahol használja az elektromos szerszámot. A figyelemelterelés miatt elveszítheti kontrollját az elektromos szerszám felett.

**FIGYELEM! A szerszám biztonságos használatával kapcsolatos általános szabályok:****Elektromos biztonság:**

- Az elektromos szerszám csatlakozó dugója meg kell feleljen az aljzattal. Tilos a csatlakozó dugó módosítása! Tilos hosszabbítók használata a védőföldeléses kábellel ellátott elektromos szerszámok esetében! A csatlakozó dugók és aljzatok módosítása növeli az áramütés kockázatát!
- Kerülje a testi érintkezést a földelt felületekkel vagy tárgyakkal, mint a csövek, fűtőtestek, fűtőradiátorok vagy hűtőszekrények! A földelt részekkel való érintkezés esetén nő az áramütés kockázata!
- Ne tegye ki esőnek vagy nedves környezetnek az elektromos szerszámot! Víz behatolása esetén nő az áramütés kockázata!
- Ne erőltesse a csatlakozó kábel! Ne használja a hálózati kábelt a szerszám mozgatására, húzására vagy a csatlakozó dugó aljzattól történő kihúzására. Tartsa távol a hálózati kábelt hőforrásoktól, olajtól, éles szélektől és mozgó alkatrészekről! A sérült vagy összegabalyodott kábelek növelik az áramütés kockázatát!
- Amennyiben az elektromos szerszámot a szabadban használja, a csatlakozást a szabadban történő használatra alkalmas kültéri hosszabbítókkal kell megoldani. A szabadban

történő használatra alkalmas hosszabbítók használata csökkenti az áramütés kockázatát.

- A berendezést 30mA vagy kisebb kioldó áramú védőkapcsolós (RCD) elektromos hálózatra javasolt kapcsolni csatlakoztatni.
- Amennyiben az elektromos szerszámot nedves környezetben használja, elkerülhetetlen egy feszültségvédelmi eszköz használata, mint egy hibaáram védelmi kapcsolóé (RCD). Az RCD használata csökkenti az áramütés kockázatát.

**FIGYELEM! A szerszám használatának biztonságával kapcsolatos általános figyelmeztetések:****Személyi biztonság:**

- Ez a berendezés nem használható csökkentett fizikai, szenzoriális vagy mentális képességű személyek (beleértve a gyermekeket is), tapasztalattal nem rendelkező személyek vagy olyan személyek által, akik nem ismerik a berendezést, kivélt képeznek azok a helyzetek, amikor a berendezés használata felügyelet alatt vagy a használati utasítások betartásával történik egy, a biztonságot felelős személy által.
- Legyen figyelmes, összpontosítson arra, amit csinál és legyen mindig annak tudatában, hogy elektromos szerszámmal dolgozik! Ne használja az elektromos szerszámot, ha fáradt, ha kábítószert, alkoholt vagy gyógyszer befolyása alatt áll! Elektromos szerszám használatánál egy pillanatnyi figyelmetlenség is komoly sérülések okozója lehet!
- Hordjon védőruházatot! Minden esetben viseljen védőszemüveget! Olyan védőruházat hordása mint a porvédő maszk, csúszásbiztos cipő, fülvédő vagy hallásvédő csökkenti a sérülések kockázatát!
- Kerülje el, hogy az elektromos szerszám véletlenül bekapcsoljon! A hálózati áramforrásra történő csatlakozás és/vagy az akkumulátor csatlakoztatása, valamint a szerszám felemelése vagy mozgatása előtt, győződjön meg arról, hogy az elektromos szerszám kapcsolója kikapcsolt állapotban van! Az elektromos szerszám mozgatása vagy bekapcsolt állapotban történő használata balesetet okozhat!
- Az elektromos szerszám beindítása előtt távolítson el minden szerszámot a közelből! Az elektromos szerszám mozgó részein hagyott szerszámok sérüléseket okozhatnak!
- Ne hajoljon le mélyen! Álljon biztosan és tartsa meg az egyensúlyát! Ez az elektromos szerszám jobb ellenőrzését teszi lehetővé váratlan helyzetekben.
- Öltözzön fel megfelelően! Ne hordjon bő ruházatot vagy ékszert! Haját kösse be, ruházatát és kesztyűjét tartsa távol a mozgó alkatrészekről! A bő ruházat, az ékszer és a hosszú haj beleakadhat a mozgó alkatrészekbe.
- Amennyiben a berendezés alkalmas külső porszivó és porgyűjtő csatlakoztatására, győződjön meg arról, hogy ezek helyesen lettek csatlakoztatva és használva. A porgyűjtő használata csökkentheti a porral járó veszélyek kockázatát.



FIGYELEM! A szerszám biztonságos használatára vonatkozó általános figyelmeztetések:

Az elektromos szerszám használata és gondozása:

- a) Ne terhelje túl az elektromos szerszámot! Az elvégzendő munkához szükséges teljesítmény függvényében használjon elektromos szerszámokat! *A megfelelő elektromos szerszám jobb működést és biztosabb terhelést tesz lehetővé.*
- b) **Tilos az elektromos szerszám használata, ha a kapcsoló nem indítja el és nem állítja meg a szerszámot!** *Minden elektromos szerszám, amely nem indul el vagy nem áll meg, veszélyes és meg kell javítani!*
- c) Minden beállítás, alkatrészcsere vagy tárolás előtt húzza ki a csatlakozó dugót az elektromos szerszám hálózati áramforrásából és/vagy vegye ki az akkumulátort! *Ezek a biztonsági intézkedések csökkentik az elektromos áram véletlenszerű bekapcsolását.*
- d) A használaton kívüli elektromos szerszámot gyermekektől távol kell tárolni, és nem szabad kölcsön adni olyan személyeknek, akik nem ismerik az elektromos szerszámot vagy nem olvasták el annak használati utasításait! *Az elektromos szerszám veszélyes, ha tapasztalat nélküli személy használja!*
- e) Az elektromos szerszámot karban kell tartani! Ellenőrizni kell a mozgásban lévő alkatrészek vonalbeállítását vagy zavarát, az alkatrészek törését és egyéb tényezőket, melyek befolyásolhatják az elektromos szerszám működését! **Ha rongálódást észlelünk, az elektromos szerszámot még használat előtt meg kell javítani!** *Számos baleset oka az elektromos szerszám nem megfelelő karbantartása.*
- f) **A vágószerszámok élesek és tiszták kell legyenek!** *A vágószerszámok éles alkatrészeinek karbantartása csökkenti az anyagba történő beakadás kockázatát és megkönnyíti a használatot.*
- g) **Az elektromos szerszámot, a berendezést, a munkaszerszámokat, stb. jelen utasításoknak megfelelően kell használni, figyelembe véve a munka jellegét és feltételeit.** *Az elektromos szerszám rendeltetésétől eltérő használata veszélyes helyzeteket okozhat.*
- h) **Alacsony hőmérsékleten vagy hosszabb használaton kívüli időszakot követően ajánlott az elektromos szerszám teher nélküli elindítása néhány percra a kenőanyag átviteli mechanizmusba történő helyes elosztása érdekében.**
- i) **Az elektromos szerszám tisztításához puha, nedves (nem vizes) rongyot és szappant használjon!** **Ne használjon benzint, oldószert vagy egyéb anyagokat, amelyek károsíthatják a berendezést!**
- j) **Az elektromos szerszámot csak azután lehet tárolni/shállítani, miután megbizonyosodtunk arról, hogy minden mozgó eleme rögzítésre és biztosításra került a rögzítésre szánt eredeti elemek segítségével.**
- k) **Az elektromos szerszámot száraz helyen kell tartani, védve a portól és a nedvességtől.**
- l) **Az elektromos szerszám szállítása az eredeti csomagolásban történhet, megvédve ezáltal a mechanikai sérülésektől.**



FIGYELEM! A szerszám biztonságos használatára vonatkozó általános figyelmeztetések:

Javítás:

- a) **Az elektromos szerszámok garanciális és garancia utáni javítását a PROFIX Szerviz végzi, ami garantálja a javítás kiváló minőségét és az eredeti alkatrészek használatát.**



FIGYELEM! ÜTVEFŰRŐ, biztonságra vonatkozó figyelmeztetések-

Személyi biztonság:

- a) **Az ütvefűrő használata során használjon hallásvédőt!** *A zajnak való kitettség hallásvesztést okozhat!*
- b) **Amikor olyan munkát végez, melynek során a csavar hozzáérhetne a rejtett elektromos kábelekhez, az elektromos szerszámot a fogantyú szigetelt részénél kell fogni!** *A tápkábellel való érintkezés a feszültség egy részét a készülék fém alkatrészeinek továbbíthatja, ami áramütéshez vezethet.*
- c) **Használjon megfelelő keresőeszközöket a rejtett elektromos kábelek helymegjelöléséhez, vagy kérjen tájékoztatást az önkormányzati intézményektől!** *A feszültség alatt lévő kábelekkel történő érintkezés tüzeseteket vagy áramütést idézhet elő! A gázvezeték sérülése robbanásveszélyes! A víz- és csatornacsovek kilyukadása anyagi károkat okoznak!*
- d) **Ne munkáljon meg azbeszt tartalmú anyagokat!** *Az azbeszt rákkeltőnek minősül!*
- e) **A munkavégzés helyét tisztán kell tartani!** *Az anyagkeverékek kifejezetten veszélyesek! A fémpor be- és felrobbanhat!*
- f) **Biztosítsa a megmunkált tárgyat!** *Bizonyosodjon meg arról, hogy az összes rögzítő elem meg van szorítva és ellenőrizze, hogy ne legyenek nagy távolságok! A megmunkált elem rögzítő szerszamba vagy csavaros szorítóba történő rögzítése biztonságosabb, mint kézben tartása.*
- g) **A szerszámot az azzal együtt leszállított pótfogantyúval kell használni!** *Az ellenőrzés elvesztése a kezelő súlyos testi sérüléseit okozhatja!*
- h) **Használat közben az elektromos szerszámot mindkét kézzel a fő és pótfogantyúnál kell fogni, stabil pozíciót tartva.** *Az elektromos szerszám használata biztonságosabb, ha mindkét kézzel tartják.*
- i) **Azonnal állítsa meg az elektromos szerszámot, ha az leblokkol!** *Készüljön fel az erős vibrációkra, mely visszaugrást idézhet elő! A használt szerszám leállhat, ha az elektromos szerszám túlterhelt vagy amikor egyik emel meghajol.*
- j) **Szünetek, gépfejek cseréje, karbantartás, tisztítás vagy beállítás idejére azonnal húzza ki a csatlakozó dugót az elektromos szerszám hálózati áramforrásából!** **Az elektromos szerszám padra történő helyezése előtt várja meg, amíg a szerszám megáll!** *A használt szerszám leállhat és a felette való ellenőrzés elvesztéséhez vezet.*
- k) **Tilos az elektromos készülék sérült tápkábellel történő használata!** **Ne érintse meg a sérült kábelt!** **Amennyiben a kábel a készülék használata közben sérül meg, húzza ki a csatlakozó dugót az aljzattól!** *Sérült kábelek növelik az áramütés kockázatát!*

- l) **Ha az elektromos szerszám tápkábele sérült, ezt egy, a szervizhálózatban kapható tápkábelrel kell kicserélni!**

AZ ÜTVEFÚRÓ FELÉPÍTÉSE ÉS RENDELTEZÉSE:

Az ütvefúró rendeltetése: fúrólyuk végzése fába, fémbe, műanyagba, kerámiába, tégla, kőbe és betonba. A szerszám egy elektronikus beállítórendszerrel és bal/jobbr irányváltóval rendelkezik és ugyanakkor csavarok be/kicsavarozására és menetelésre is használható.

Tilos a berendezés más célból történő felhasználása!

Az ütvefúrót egy monofázisú motor működtet és közepes intenzitáú otthoni munkák elvégzésére ajánlatos. Nem megfelelő hosszú és nehéz körülmények között végzett munkálatokra! **Tilos a szerszámot olyan munkák végzésére használni, melyek professzionális készüléket igényelnek!**

Az elektromos készülék minden olyan használata, amely eltér a fent említett rendeltetéstől, tilos és a garancia elvesztéséhez vezet, a gyártó nem felelős az ezekből eredő károkért.

A készülék összes, a felhasználó által végzett módosítása mentesíti a gyártót a felelősség alól a felhasználónak és a környezetnek okozott károkért.

Ugyanakkor az elektromos szerszám megfelelő használata a karbantartásra, tárolásra, szállításra és javításra is vonatkozik.

Az elektromos szerszámot csak a gyártó által megjelölt javítóműhelyben javítható! A hálózatra kötött készülékeket csak engedélyezett személyek javíthatják!

Egyes reziduális kockázati tényezők még abban az esetben sem küszöbölhetők ki teljesen, ha a készüléket a rendeltetésnek megfelelően használták. Az építési módtól és felépítéstől függően a következő kockázatok jelenhetnek meg:

- a mozgásban lévő fúrófej kézzel, ruházattal vagy tápkábelrel történő megérintése;
- a fúrófej cseréje közbeni égések (Működésben közben a gépféj nagyon felmelegszik. Az égések elkerülése érdekében a gépféj-csere közben használjon harapófogót és védőkesztyűt!);
- a megmunkált elem vagy annak egy részének visszaugrása;
- a fúrófej görbülése/törése.

■ Elemek

- Ütvefúró – 1 db.
- Pótfogantyú – 1 db.
- Fúrásmélység határoló – 1 db.
- Tokmánykulcs – 1 db.
- Használati utasítás – 1 db.
- Garanciaalap – 1 db.

■ A szerszám elemei (lásd A., B., C., ábra)

A szerszám elemeinek számozását a jelen használati utasítások 2. oldalán szereplő ábra mutatja be:

1. Fogaskoszorús tokmány
2. „Fúrás/ütvefúrás” átkapcsoló
3. Forgásirányt váltó kapcsoló
4. Kapcsolózá
5. Forgási sebességet beállító gomb
6. Kapcsoló
7. Főfogantyú
8. Pótfogantyú

9. Fúrásmélység határoló

10. Fogaskoszorús tokmány kulcs

MŰSZAKI ADATOK:

TÍPUS	TDW1050
Tápfeszültség	220-230 V
Tápfrekvencia	50 Hz
Teljesítmény	1050 W
Forgási sebesség üres járatban	0-2800/perc
(Fogaskoszorús) tokmány	13 mm
Fúrás maximális átmérője	acél - 10 mm
	beton - 13 mm
	fa - 25 mm
Súly (kiegészítők nélkül)	3,0 kg
Berendezés osztálya	□/II
Védelem	IP20
Hangnyomás szint (LpA)	92,3 dB(A)
Hangerő szint (LwA)	103,3 dB(A)
EN 60745-2-1:2010 szabvány szerinti vibrációs szint	
fúrás (fém), főfogantyú a_{hD}	3,914 m/s^2
ütvefúrás (konkrét) a_{hD}	14,953 m/s^2
Bizonytalanság $K=1,5 m/s^2$	

Az említett vibrációs szint reprezentatív az elektromos készülék használata szempontjából. Amennyiben az elektromos készülék más célból vagy egyéb munkaeszközzel kerül használatra, illetve ha karbantartása nem megfelelő, a vibrációs szint eltérhet a megjelölttől. A fent említett okok a vibrációs expozíció szintje növekedéséhez vezethetnek a működés teljes ideje alatt.

Kiegészítő védelmi eszközöket kell használni, melyek célja a vibrációs expozíció kezelőre gyakorolt hatásaitól való védelem, mint pl.: Elektromos készülék és munkaeszközök karbantartása, a kezek megfelelő hőmérsékletének biztosítása, a munkatevékenységek sorrendjének megállapítása.

HASZNÁLATELŐTT:

1. Bizonyosodjon meg arról, hogy az áramforrás a nominális táblán feltüntetett paramétereknek megfelelő paraméterekkel rendelkezik!
2. Bizonyosodjon meg arról, hogy az ütvefúró kapcsolója kikapcsolt pozícióban van és a kapcsoló (4) ki van engedve! Tilos az ütvefúrót működésben hagyni, ha a zár be van kapcsolva! A zár kikapcsolása a kapcsoló (6) újbóli megnyomásával történik!
3. A pótfogantyú (8) a tokmánytengelelyre történő helyezésével kerül rögzítésre és ennek csavarozásával rögzül. A fúrásmélység határolót (9) a pótfogantyú nyílásába kell helyezni és a pótfogantyú csavarásával kell rögzíteni.
4. Amennyiben hosszabbítót használ, bizonyosodjon meg arról, hogy a hosszabbító paraméterei, a kábelek szakaszai megfelelnek a csavarozó paramétereivel. Ajánlott minél rövidebb hosszabbítót használni! A hosszabbító teljesen ki kell legyen feszítve!

HASZNÁLATKÖZBEN:

■ A fúrófej kiválasztása

Betonba, téglába, kőbe fúráshoz használjon beton fúráshoz való

fúrófejet! Fém, műanyag, (legtöbb 6 mm-es nyílásátmérőjű) fa fúrásához használjon fém fúrásához való fúrófejet!

Fába történő 6 mm-esnél nagyobb átmérőjű nyílás fúrásához fa fúrásához való fúrófejet használjon!

■ A fúrófej rögzítése

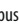
Helyezze be a fúrófejet végig a gyenge fejbe (1) és a kulccsal (10) történő külső gyűrű csavarásának segítségével a kapocs megnyomásával rögzítse, a gépfé gépházán lévő mindhárom nyílás sorban történő használatával (lásd: B. ábra).

■ A fúrásmélység beállítása

A mélység határoló (9) segítségével megállíthatjuk a fúrás mélységét. Addig húzzuk a mélység határolót, amíg a fúrófej és a határoló vége megfelel a kívánt fúrásmélységnek.

■ Munkatípus megváltoztatása

• Fúrás és csavarok be/kicsavarozása:

Állítsuk be a munkatípus kapcsolót (2) a  szimbólummal jelölt «fúrás» pozícióba!

• Ütvefúrás:

Állítsuk be a munkatípus kapcsolót (2) a  szimbólummal jelölt «ütvefúrás» pozícióba!

FIGYELEM! Az ütvefúró (1) működése közben tilos a munkatípust változtatni!

■ Forgásirány változtatása

Mozgassa a forgásirány kapcsolót (3) egészen végig a megfelelő pozícióba! A kapcsolóházon szereplő jelölések: R – az órajárással megegyező irányba történő forgás, L – az órajárással ellentétes irányba történő forgás

FIGYELEM! Az ütvefúró (1) működése közben tilos a munkatípust változtatni!

■ Be/kikapcsolás

Az elektromos szerszám bekapcsolásához nyomja meg a kapcsolót (6) és hagyja lenyomva!

A kapcsoló bekapcsolt pozícióba történő rögzítéséhez nyomja meg a kapcsolózárt (4)!

Az elektromos szerszám kapcsolójának (6) kikapcsolásához, vagy amikor azár (4) blokkolva van, nyomja meg röviden azt, majd tegye szabaddá!

■ Forgási sebesség beállítása

A kapcsoló (6) nyomásának növelésével vagy csökkenésével beállíthatjuk a forgási sebességet.

A kapcsoló (6) finom megnyomása kisebb forgási sebességet eredményez. Az erősebb nyomás növeli a forgási sebességet.

■ A forgási sebesség szabályozása

A forgási sebességet beállító gomb (5) a kívánt sebesség függvényében szabályozható. Szabályozhatja a sebességet és a működés idejét. A kívánt forgási sebességet a megmunkált anyagnak és a munkafeltételeknek függvényében kell kiválasztani. Ez a gyakorlati próba ideje alatt beállítható.

A FÚRÓTOKMÁNYCSERÉJE:



FIGYELEM! Az elektromos szerszám bármilyen cseréje előtt húzza ki a csatlakozó dugót az aljzatból!

A bal/jobbs forgásos ütvefúró fúrótokmánya balmenetes csavar segítségével került rögzítésre. A tokmány cseréje előtt megfelelő

csavarral (PH2) elülről, a fúrótokmány nyílásán keresztül csavarozza le ezt a csavart!

A balmenetes csavart jobb oldalra történő csavarozással lehet kicsavarni.

A tokmány (1) leszereléséhez helyezze stabil helyre a fúrógépet, pl. egy munkapadra és helyezze a villás csavarkulcsot (17 mm) a tengelyen található bemetszésbe! Egy kézzel tartsa meg a tokmányt, a másikkal pedig csavarja a kulcsot az óra járásával ellentétes irányba, amíg lecsavarozza a fogantyút (lásd C. ábra)

A tokmány beszerelése fordított sorrendben történik.

A fogantyú alapzatán és a tengely menetén nem lehet semmiféle szennyeződés.

HASZNÁLATTAL KAPCSOLATOS UTASÍTÁSOK:

- Hosszú idejű kis forgási sebességgel történő használat után kapcsolja be az elektromos szerszámot és körülbelül 3 percen keresztül maximális sebességgel járassa üresben a szerszám lehűtése céljából.
- Kerámialapokban történő lyukak fúrása esetén mozgassa a munkatípus kapcsolóját (2) a «fúrás» pozícióba! A lyukak elvégzése után, mozgassa a kapcsolót a «forgással történő fúrás» pozícióba és folytassa forgással!

- Betonba, kőbe és falba történő munkáknál használjon szilárd ötvözetű fúrófejet!

- Fémbe történő fúrásához csak fémből készült, éles fúrófejeket használjon!

FIGYELEM! A fúrófej helyes kiválasztása minden eljárás típusnál csökkenti a fúrás közbeni rezgést, amely javítja a fúrást.

- A csavarok/csavaranyák be/kicsavarozásánál, amikor a fúrógép tengelye forog, közelítse a csavar/csavanya fejét.

TÁROLÁS ÉS KARBANTARTÁS:

A szerszám nem igényel különleges karbantartást. A szerszámot gyermekektől távol, tisztán kell tartani, óvni a nedvességtől és a portól! A tárolási körülmények ki kell küszöbölniük a mechanikus rongálódások vagy a különböző időjárási viszonyok káros hatásainak lehetőségét!

Betonba történő fúrást követően a képződött port a szellőzőnyílások és fogantyú felé irányított sűrített levegővel kell eltávolítani. Ez meggátolja a csapágyak megromlását és eltávolítja a port, amely gátolja a motor hűtése számára fontos levegővel való ellátást.

SZÁLLÍTÁS:

Az ütvefúrórt hordládában kell szállítani és tárolni, amely megóvja a nedvességtől, a portól és a kisméretű tárgyaktól! Különösen a szellőzőnyílásokat kell védeni! A gépházba bejutó kis elemek rongálhatják a motort!

TIPIKUS MEGHIBÁSODÁSOK ÉS EZEK MEGOLDÁSA:

Az ütvefúró nem működik:

- Ellenőrizze, hogy a tápkábel helyesen van csatlakoztatva vagy ellenőrizze a biztosítékokat!

Az ütvefúró «akadozik» vagy szikrák képez:

- Ellenőrizze és cserélje ki a szénkeféket!

FIGYELEM! A szénkefék cseréjét csak engedélyezett villanyszerelő végezheti!

- Amennyiben az elektromos szerszám továbbra sem működik, noha biztosított az áramellátás és a szénkefék jó állapotban vannak, vigye el a garanciaupon megjelölt címen szereplő javítóműhelybe!

GYÁRTÓ:

PROFIX Sp. z o.o.

Marywilka u.34,

03-228 Varsó, LENGYELORSZÁG

KÖRNYEZETVÉDELEM:



FIGYELEM! Ez a jel jelöli, hogy a használt készüléket tilos egyéb hulladékkal egy helyen elhelyezni (pénzüntetés terhe mellett). Elektromos és elektronikus gépek veszélyes alkotórészei negatívan befolyásolják a környezetet és az emberek egészségét.

Minden háztartásnak hozzá kell járulnia a használt készülékek visszanyeréséhez és újrahasznosításához. Úgy Lengyelországban, mint Európában megszervezik vagy már létezik a használt készülékek gyűjtési rendszere, melynek keretében az adott készülék minden értékesítési helyén kötelesek átvenni a használt készüléket. Ezenkívül léteznek ilyen típusú készülékek gyűjtő központjai.

PIKTOGRAMOK:

A névleges táblázatban szereplő rajzok magyarázata:



– **«Bekapcsolás és működtetés előtt olvassa el a használati utasításokat!»**



– **«Védőszemüveg használata kötelező!»**



– **«Hallásvédő használata kötelező!»**



– **«Porvédő maszk használata kötelező!»**



A PROFIX cég politikája az, hogy folyamatosan tökéletesítse termékeit, ezért fenntartja magának azt a jogot, hogy a termék specifikációit előzetes tájékoztatás nélkül módosítsa! A használati utasításokban megjelölt ábrák csak példák, ezek kicsit eltérhetnek a megvásárolt eszköz valódi arculatától!

Jelen használati utasítást szerzői jogok védik. A PROFIX Sp. z o.o. társaság írásos hozzájárulása nélküli másolása/sokszorosítása tilos!



PRIEŠ RADEKANT DARBĄ SUSIPAŽINKITE SU INSTRUKCIJA.

Išsaugokite instrukciją, nes gali būti reikalinga vėliau.



ĮSPĖJIMAS! Prašome perskaityti visus įspėjimus dėl saugaus naudojimo pažymėtus simboliais ⚠ bei visas nuorodas dėl saugaus naudojimo.

Žemiau pateikiamų įspėjimų dėl saugos bei saugos nuorodų nesilaikymas gali būti elektros smūgio, gaisro ir/arba sunkių kūno sužalojimų priežastimi.

Išsaugokite visus įspėjimus ir visas saugos nuorodas, kad vėliau būtų galima jais pasinaudoti.

Žemiau pateiktuose įspėjimuose sąvoka „elektros prietaisas“ apibūdina elektros prietaisą maitinamą elektros energija iš elektros tinklo (maitinimo laidas) arba elektros prietaisą maitinamą akumuliatoriumi (belaidis).



ĮSPĖJIMAS! Bendri įspėjimai dėl saugaus įrankio naudojimo.

Sauga darbo vietoje:

- Darbo vietoje turi būti švaru, tvarkinga bei geras apšvietimas. Netvarka bei netinkamas darbo vietos apšvietimas gali būti nelaimingų atsitikimų priežastimi.
- Nenaudoti elektros prietaiso sprogioje aplinkoje, kurioje yra degūs skysčiai, degios dujos arba dulksės. Elektros prietaiso darbo metu susidaro elektros kibirkštis, todėl gali užsidegti esantis aplinkoje garai.
- Darbo vietoje negali būti vaikai bei pašaliniai. Dėmesio nukreipimas gali būti elektros prietaiso valdymo praradimo priežastimi.



ĮSPĖJIMAS! Bendri įspėjimai dėl saugaus įrankio naudojimo.

Elektros sauga:

- Elektros prietaisų kištukai turi atitikti elektros lizdo tipui. Jokiu būdu negalima keisti kištuko. Jeigu elektros prietaisas turi įžeminimą, negalima naudoti ilgintuvo. Originalių kištukų bei lizdų naudojimas sumažina elektros smūgio riziką.
- Venkite kūno kontakto su įžemintais paviršiais, tokias kaip vamzdžiai, šildytuvai, centrinio šildymo radiatoriai bei šaldytuvais. Kontaktas su įžemintais paviršiais didina elektros smūgio pavojų.
- Saugokite prietaisą nuo lietaus ir drėgmės. Jeigu vanduo patenka į elektros prietaisą, padidėja elektros smūgio rizika.
- Nenaudokite laidų ne pagal paskirtį. Neneškite įrenginio paėmę už laido, netraukite už jo norėdami išjungti kištuką iš elektros lizdo. Laidą klokite taip, kad jo neveiktų karštis, jis neišsitemptų alyva ir jo nepažeistų aštrios detalės ar judančios prietaiso dalys. Pažeistas laidas gali tapti elektros smūgio priežastimi.
- Jeigu elektros prietaisas yra naudojamas lauke, laido prailginimui naudokite tik specialiai tam skirtus prailgintuvus. Prailgintuvų skirtų darbui lauke naudojimas sumažina elektros smūgio riziką.
- Įrankį rekomenduojama jungti į elektros maitinimo tinklą, turintį likutinės srovės įrenginį (RCD), kurio išjungimo srovė

yra 30 mA arba mažesnė.

- Jeigu negalima išvengti elektros prietaiso naudojimo drėgnoje aplinkoje, naudokite RCD įrenginį. RCD įrenginio naudojimas sumažina elektros smūgio riziką.



ĮSPĖJIMAS! Bendri įspėjimai dėl saugaus įrankio naudojimo.

Žmonių sauga:

- Prietaisu negali naudotis asmenys (tame tarpe vaikai) turintys fizinius, jutimo arba psichinius negalavimus, taip pat asmenys neturintys darbo patirties arba nesupažinę su prietaisu, nebent toks darbas vyksta stebint specialistui arba pagal prietaiso naudojimo instrukciją, kurį buvo perduota asmeniui atsakingu už saugą.
- Būkite atidūs, sutelkite dėmesį į tai, ką Jūs darote ir, dirbdami su elektros prietaisu, vadovaukitės sveiku protu. Nedirbkite su prietaisu, jei esate pavargę arba vartojote narkotikus, alkoholių ar medikamentus. Akimirksnio neatidumas naudojant prietaisą gali tapti rimtų sužalojimų priežastimi.
- Dėvėkite tinkamą aprangą. Nešiokite apsauginius akinius. Apsauginės aprangos, tokios kaip dulkių kaukė, neslystantis apsauginiai batai, šalmas, asinės, naudojimas sumažina sužalojimų grėsmę.
- Saugokitės, kad neįjungtumėte prietaiso atsitiktinai. Prieš įjungiant kištuką į elektros lizdą ir/arba prieš akumuliatoriaus įjungimą bei prieš paimant arba pernešant prietaisą išitikinkite, kad prietaisas yra išjungtas. Prietaiso pernešimas su pirštu ant jungiklio arba prietaiso įjungimas į maitinimo tinklą gali tapti nelaimingo atsitikimo priežastimi.
- Prieš įjungdami prietaisą pašalinkite raktus. Prietaiso besisukančioje dalyje esantis įrankis ar raktas gali tapti sužalojimų priežastimi.
- Nepasilenkite pernelyg į priekį. Dirbdami atstokite patikimai ir visada išlaikykite pusiausvyrą. Patikima stovėseną ir tinkamą kūno laikysena leis geriau kontroliuoti prietaisą netikėtoje situacijoje.
- Dėvėkite tinkamą aprangą. Nedėvėkite plaučių drabužių ir papuošalų. Saugokite plaukus, drabužius ir pirštines nuo besisukančių prietaiso dalių. Laisvus drabužius, papuošalus bei ilgus plaukus gali įtraukti besisukančios prietaiso dalys.
- Jeigu įrenginiai yra pritaikyti prijungimui prie dulkių nusiurbimo ir dulkių surinkėjo, išitikinkite, kad šie įrenginiai tinkamai prijungti ir panaudoti pagal paskirtį. Dulkių surinkėjų panaudojimas sumažina dulkių poveikio pasekmes.



ĮSPĖJIMAS! Bendri įspėjimai dėl saugaus įrankio naudojimo.

Rūpestinga elektros prietaisų priežiūra ir naudojimas

- Neperkraukite prietaiso. Naudojamo prietaiso galingumas turi atitikti atliekamam darbui. Tinkamai parinktas elektros prietaisas leis atlikti darbą gerai ir saugiai.
- Nenaudokite elektros prietaiso su sugedusiu jungikliu. Elektros prietaisas, kurio nebegalima įjungti ar išjungti, yra pavojingas ir jį reikia remontuoti.

- c) **Prieš reguliuodami prietaisą, keisdami darbo įrankius arba prieš sandėliavimą ištraukite kištuką iš elektros lizdo ir/arba atjunkite akumuliatorių. Ši saugumo priemonė apsaugos jus nuo netikėto prietaiso įsijungimo.**
- d) **Nenaudojamą prietaisą sandėliuokite vaikams ir nemokantiems juo naudotis arba nesusipažinusiems su instrukcija asmenims neprieinamoje vietoje. Elektriniai įrankiai yra pavojingi, kai juos naudoja nepatyrę asmenys.**
- e) **Rūpestingai prižiūrėkite prietaisą. Patikrinkite, ar besisukančios prietaiso dalys tinkamai veikia ir niekur nekliūva, ar nėra sulūžusių ar šiaip pažeistų dalių, kurios įtakotų elektros prietaiso veikimą. Jeigu yra gedimai suremontuokite prietaisą. Daugelio nelaimingų atsitikimų priežastis yra blogai prižiūrimi elektros prietaisai.**
- f) **Pjovimo įrankiai turi būti aštrūs ir švarūs. Rūpestingai prižiūrėti elektros prietaisai su aštriais pjovimo įrankiais yra lengviau valdomi ir juos geriau kontroliuoti.**
- g) **Elektros prietaisą, papildomus įrankius, darbo įrankius ir t.t. naudokite tik pagal instrukciją, turėdami omeny darbo sąlygas bei atliekamo darbo pobūdį. Elektros prietaiso naudojimas ne pagal paskirtį gali sukelti pavojingas situacijas.**
- h) **Jeigu prietaisas nebuvo naudojamas ilgesnį laiką arba yra naudojamas žemos temperatūros sąlygose, įjunkite jį kelioms minutėms be apkrovos tam, kad tepalas tinkamai pasiskirstytų pavaros mechanizme.**
- i) **Elektros prietaisas valykite minkštu, drėgnu (ne šlapiu) skuduru ir muilu. Nenaudokite benzino, tirpiklių bei kitų priemonių galinčių pažeisti prietaisą.**
- j) **Elektros prietaisą laikykite/transportuokite tik po to, kai įsitikinsite, kad jo visos besisukančios dalys yra užblokuotos ir saugomos originaliomis, specialiai tam skirtomis detalėmis.**
- k) **Elektros prietaisą laikykite sausoje, apsaugotoje nuo dulkių bei drėgmės vietoje.**
- l) **Elektros prietaisą transportuokite originalioje pakuotėje, saugančioje nuo mechaninių pažeidimų.**



ĮSPĖJIMAS! Bendri įspėjimai dėl saugaus įrankio naudojimo.

Remontas:

- a) **Garantinį ir pogarantinį elektros įrankių remontą atlieka PROFIX servisas, todėl garantuojama aukščiausia remonto darbų kokybė bei originalios atsarginės dalys.**



DĖMESIO!
SMŪGINIS GRĘŽTUVAS, saugaus darbo nuorodos.

Žmonių sauga:

- a) **Darbo metu naudokite klausos apsaugos priemones. Ilgalaikis darbas triukšme gali sukelti klausos praradimą.**
- b) **Darbo metu, kai yra pavojus užkliudyti elektros laidus arba paties prietaiso laidą, elektros prietaisą laikykite už izoliuotus paviršius. Jeigu yra kontaktas su elektros laidais, tai visos metalinės prietaiso dalys taip pat yra po įtampa, o tai gali sukelti elektros smūgį.**
- c) **Elektros laidų lokalizavimui naudokite tinkamus lokalizavimo prietaisus arba kreipkitės į pastato administraciją. Kontaktas su elektros laidais gali būti gaisro bria**

elektros smūgio priežastimi. Dujų vamzdžio pažeidimas gali sukelti sprogamą. Vandentiekio vamzdžių pažeidimas gali sugadinti aplinkoje esančius daiktus.

- d) **Draudžiama dirbti su medžiagomis, kurių sudėtyje yra asbestas. Asbestas gali būti navikinių susirgimų priežastimi.**
- e) **Darbo vietoje turi būti švaru. Ypač pavojingi yra medžiagų mišiniai. Lengvos metalo dulksės gali užsidegti arba sprogti.**
- f) **Būtina patikimai pritvirtinti apdorojamą daiktą. Įsitinkite, kad visi tvirtinimo gnybtai yra užverti bei patikrinkite, kad jie nebūtų pernelyg laisvi. Apdorojamo daikto pritvirtinimas tvirtinimo mechanizmu arba spaustuvoje didina darbo saugumą.**
- g) **Naudoti papildomas rankenas. Kontrolės praradimas gali būti susijalajimo priežastimi.**
- h) **Elektros prietaisą laikykite abiem rankomis ir užtikrinkite stabilią darbo poziciją. Elektros įrankio laikymas abiem rankomis užtikrina didesnę saugumą.**
- i) **Jeigu naudojamas įrankis įstrigo, nedelsiant ištraukite elektros prietaiso kištuką iš elektros lizdo. Būkite pasiruošę įrankio vibravimui, kuriuo metu gali būti atmeta apdorojama medžiaga. Naudojamas įrankis gali įstrigti, jeigu: elektros prietaisas bus perkrautas arba išsikreivins apdorojamoje medžiagoje.**
- j) **Prietaiso kištuką ištraukite iš lizdo darbo pertraukus metu, antgalių keitimui metu, remonto, valymo arba reguliavimo metu. Prietaisą dėkite tik, kai jo dalis jau visiškai nejuda. Darbo įrankis gali užstrigti ir tokiu atveju galima prarasti kontrolę.**
- k) **Draudžiama naudotis prietaisu, jeigu jo maitinimo laidas yra pažeistas. Jeigu laidas yra pažeistas, jokių būdu neleskite jo; jeigu laidas yra pažeidžiamas darbo metu, iš karto ištraukite jo kištuką iš elektros lizdo. Pažeistas maitinimo laidas gali būti elektros smūgio priežastimi.**
- l) **Jeigu sugedo elektros prietaiso laidas, jį pakeisti galima pas gamintoją, specializuotame remonto punkte arba gali tai atlikti specialistas tam, kad išvengtumėte pavojaus.**

GRĘŽTUVO PASKIRTIS IR SANDARA:

Smūginis gręžtuvas yra skirtas gręžti medienoje, metale, plastike, keramikoje, taip pat atlikti smūginį gręžimą plytose, akmenyje ir betone. Kalimo funkcija turi elektroninę reguliavimo sistemą bei sukimosi į dešinę/į kairę funkciją, įrankiu taip pat galima įsukti/išsukti varžtus ir atlikti įsriegimą.

Kategoriškai draudžiama naudoti prietaisą kitiems tikslams.

Smūginis gręžtuvas tai varomas vienfaziu varikliu įrankis, skirtas atlikti vidutinio intensyvumo darbus namų ūkyje. Netinka ilgalaikiam darbiui sunkiose sąlygose. **Draudžiama naudotis prietaisu atliekant darbus reikalaujančius profesionalių įrenginių.**

Kiekvienas elektros prietaiso panaudojimas ne pagal paskirtį sukelia garantijos praradimą bei gamintojas tokiu atveju nėra atsakingas už patirtas žalias.

Bet kokios prietaiso modifikacijos padarytos naudotoju atleidžia gamintoją nuo atsakomybės už žalias patirtas tokiu atveju naudotoju bei aplinkiniams.

Tinkamas naudojimas taip pat apima tinkama elektros prietaiso priežiūrą, sandėliavimą, transportavimą bei remontą.

Elektros prietaiso remontą galima atlikti tik specialiuose punktuose

nurodytuose gamintoju. Prietaisų, maitinamų elektra remontą gali atlikti tik įgalioti asmenys.

Nepaisant tinkamo prietaiso naudojimo negalima visiškai išvengti rizikos. Galimi rizikos atvejai:

- Besusukamčio darbo įrankio lietimasis ranka arba rūbais, kontaktas su maitinimo laidu.
- Apsišūtinimas keičiant darbo įrankį. (Darbo metu darbo įrankis labai įkaista ir tam, kad išvengtų apsišūtinimo jo keitimo metu būtina naudoti apsaugines pirštines).
- Apdorojamos medžiagos arba jos dalies atmetimas;
- Darbo įrankio iškreivimas / lūžis.

■ Komplektavimas

- Smūginis gręžtuvas - 1 vnt.
- Papildoma rankena - 1 vnt.
- Gręžimo gylio ribotuvas - 1 vnt.
- Dantytojo gręžimo patrono raktas - 1 vnt.
- Naudojimo instrukcija - 1 vnt.
- Garantinis lapas - 1 vnt.

■ Prietaiso elementai (žiūrėkite pav. A, B, C):

Prietaiso dalių numeracija atitinka grafinėms piešinims 2 puslapyje naudojimo instrukcijos:

1. Dantytas gręžimo patronas
2. Darbo režimo jungiklis **įprastas gręžimas / smūginis gręžimas**
3. Apsukimų krypties jungiklis
4. Paleidimo jungiklio blokavimo mygtukas
5. Apsukimų greičio regulatorius
6. Paleidimo jungiklis
7. Pagrindinė rankena
8. Papildoma rankena
9. Gręžimo gylio ribotuvas
10. Dantytojo gręžimo patrono raktas

TECHNINIAI DUOMENYS:

MODELIS	TDW1050
Maitinimo įtampa	220-230 V
Maitinimo dažnis	50 Hz
Sunaudojamas pajėgumas	1050 W
Apsukimų greitis be apkrovos	0-2800 /min
Gręžimo laikiklis (raktinis)	13 mm
Maksimalus gręžimo skersmuo	plienas - 10 mm
	betonas - 13 mm
	mediena - 25 mm
Masė (be papildomos įrangos)	3,0 kg
Prietaiso klasė	□/II
Saugumo lygis	IP20
Akustinio slėgio lygis LpA	92,3 dB(A)
Akustinio pajėgumo lygis LwA	103,3 dB(A)
Vibracijos lygis pagal EN 60745-2-1/A11:07 normą	
Įprastas gręžimas (metalinis), pagrindinė rankena a _{hd}	3,914 m/s ²
Smūginis gręžimas (betonas) a _{hd}	14,953 m/s ²
matavimo paklaida K=1,5 m/s ²	

Pateiktas virpesių lygis yra reprezentatyvus pagrindiniams prietaiso panaudojimams. Jeigu elektros prietaisais bus panaudotas kitiems tikslams arba su kitais papildomais darbo įrankiais bei jeigu nebus tinkamai prižiūrimas, virpesių lygis gali skirtis.

Pateiktos aukščiau priežastys gali padidinti vibracijų lygį darbo metu. Būtina panaudoti papildomas priemones, saugančias naudotoją nuo vibracijų pasekmių, pav.: prietaiso ir darbo įrankių priežiūra, veiksmų eilės nustatymas.

PRIEŠ PRADEDANT DARBĄ:

1. Prieš pradėdamas darbą patikrinti ar pateikti prietaiso firminėje lentelėje duomenys atitinka elektros tinklo parametrus.
2. Įsitikinkite, kad gręžtuvo jungiklis yra padėtyje „išjungtas“ ir jo blokavimo mygtukas (4) yra atlaisvintas. Nepadėkite įjungto gręžtuvo, jei yra paspaustas jungiklio blokavimo mygtukas. Blokavimas išjungiamas dar kartą paspaudus jungiklį (6).
3. Pagalbinė rankena (8) yra tvirtinama perdėdamas jos apkabę per laikiklį ir blokuojama užsukant rankenėlę. Gręžimo gylio ribotuvas (9) būtina įstumti į pagalbinės rankenos angą ir užfiksuoti suktą pagalbinės rankenos rankenėlę.
4. Jei naudojate ilgutuvą įsitikinkite, kad jo parametrai, laidų skersmuo, atitinka gręžtuvo parametrus. Patariama naudoti kuo trumpesnius prailgintuvus. Prailgintuvus turi būti išvyniotas visame ilgyje.

APTARNAVIMAS:

■ Grąžo parinkimas

Gręžimui betone, plytose, akmenyje naudokite grąžtus skirtus betonui. Gręžimui metalė, plastike, medienoje (angos skersmuo iki 6 mm) naudokite grąžtus metalui.

Gręžiant medienoje angas didesnes nei 6 mm naudokite grąžtus medienai.

■ Grąžo tvirtinimas

Grąžtą įdėkite iki galo į atlaisvintą laikiklį (1) ir užfiksuokite sukdami išorinį žiedą raktu (10), naudokite iš eilės visas tris angas laikiklio korpuse (žiūrėkite pav.B).

■ Gręžimo gylio nustatymas

Gylio ribotuvas (9) yra skirtas gręžimo gylio nustatymui.


Ištraukite gylio ribotuvas, kol atstumas tarp grąžo galo ir ribotuvo galo pasiekia reikiamą gręžimo gylių.

■ Darbo režimo keitimas

• Gręžimas, varžtų įsukimas/išsukimas:

Perstumkite darbo režimo jungiklį (2) iki padėties «gręžimas», pažymėtos simboliu - .

• Smūginis gręžimas:

Perstumkite darbo režimo jungiklį (2) iki padėties «smūginis gręžimas», pažymėtos simboliu - .

DĖMESIO: Niekada neperjunkite darbo režimo, kai įrankio laikiklis (1) juda.

■ Apsukų krypties keitimas

Perstumkite apsučių krypties jungiklį (3) iki reikiamos padėties. Ženklinimas korpuse prie jungiklio: **R** – darbas pagal laikrodžio rodyklę, **L** – darbas priešinga laikrodžio rodyklę kryptimi.

DĖMESIO: Niekada nekeiskite apsučių greičio, kai įrankio laikiklis (1) juda.

■ Įjungimas/išjungimas

Norėdami įjungti elektros prietaisą paspauskite jungiklį (6) ir laikykite jį paspaustą.

Norėdami užfiksuoti jungiklį pozicijoje „įjungtas“ paspauskite jungiklio blokavimo mygtuką (4).

Norėdami išjungti elektros prietaisą paspauskite jungiklį (6) ir paleisti po to, kai jis yra užfiksuotas blokavimo mygtuku (4), neilgam paspausti ir atlaisvinti.

■ Apsukimų greičio reguliavimas

Apsukimų greitis sklandžiai reguliuojamas didinant arba mažinant jungiklio (6) spaudimą.

Lengvas jungiklio (6) spaudimas duoda nedidelį apskukimų greitį.

■ Apsukimų greičio/smūgių skaičiaus nustatymas

Apsukimų greičio jungikliu (5) nustatomas sūkių greitis/smūgių skaičius. Galima tai padaryti taip pat darbo metu.

Apsukimų greitis priklauso nuo apdorojamos medžiagos bei darbo sąlygų. Jį galima nustatyti atliekant praktinį bandymą.

GRĘŽIMO LAIKIKLIO KEITIMAS:



DĖMESIO!

Prieš atlikdami bet kokius priežiūros darbus ištraukite maitinimo laidą kištuką iš elektros lizdo.

Gręžimo laikiklis, judantis į dešinę/į kairę tvirtinamas varžtu su kairiuoju sriegiu. Prieš kleisdami laikiklį išsukite šį varžtą; naudokite tam atitinkamą kryžminį sukutvą (PH2); varžtą išsukite iš gręžimo laikiklio priekio.

Kairysis išsukamas tik sukant jį į dešinę.

Norėdami nuimti laikiklį (1), padėkite gręžtuvą stabiliam paviršiuje, pvz. darbatalyje ir pridėkite atvirą veržliaraktį (17 mm) prie veleno įpjovų. Prilaikykite laikiklį viena ranka, o kita – pasukite raktą priešinga laikrodžio rodykles kryptimi (žiūrėk pieš. C).

Gręžimo laikiklio uždėjimas atliekamas atvirkštine tvarka.

Laikiklio angoje ir veleno sriegyje negali būti jokių nešvarumų.

DARBO PATARIMAI:

- Po to, kai prietaisas ilgai dirba mažų apskukimų greičiu, būtina jį paleisti 3 min. maksimaliu apskukimų greičiu be apkrovos.
- Norėdami gręžti angas keramikos plytelėse perjunkite darbo režimo jungiklį (2) į padėtį „gręžimas“. Po to, kai skylė bus padaryta, perjunkite jungiklį į padėtį „smūginis gręžimas“ ir dirbkite toliau smūginio gręžimo režimu.

- Dirbant su betonu, akmeniu plytomis naudokite kieto lydinio gręžtuvą.

- Metalui naudokite tik gręžtuvus skirtus metalui.

DĖMESIO: Tinkamas grąžto parinkimas sumažina virpesius gręžimo metu, kas didina gręžimo našumą.

- Įsukant/išsukant varžtus, veržles įrankio antgalį prie varžto/veržlės pridėkite kai laikiklis nebesisuka.

LAIKYMAS IR PRIEŽIŪRA:

Prietaisas beveik nereikalauja specialios priežiūros. Prietaisą laikykite vietoje nepasiekiamoje vaikams; prietaisai turi būti švarus bei saugomas



PROFİX įmonė siekia tobulinti savo produktus, todėl gali keistis produktų specifikacijos. Apie šiuos pasikeitimus įmonė nėra įpareigota nepranešti. Paveikslėliai esantis aptarnavimo instrukcijoje tai tik pavyzdžiai bei gali skirtis nuo nusipirktu prietaisu. Ši instrukcija yra apsaugojama autoriaus teise. Kopijavimas/plėtojimas be PROFİX Sp. z o.o. leidimo raštu draudžiamas.

nuo dulkių ir drėgmės. Laikymo sąlygos turi užtikrinti saugumą nuo mechaninių pažeidimų bei oro sąlygų poveikio.

Po gręžimo betone arba dulkėtoje aplinkoje rekomenduojama prapūsti visas ventiliacines angas ir patrono suslėgtu oru. Tokiu būdu bus saugomi guoliai, pašalintos dulksės, kurios gali blokuoti variklį.

TRANSPORTAS:

Gręžtuvą laikykite bei transportuokite pakuotėje saugančioje nuo drėgmės, dulkių ir smulkių objektų įsiskverbimo, ypač saugokite ventiliacines angas. Smulkūs elementai, patenkantys į korpusą gali pažeisti variklį.

TIPIŠKI GEDIMAI IR JŪŠALINIMAS:

Gręžtuvas neveikia:

- patikrinkite ar maitinimo laidas yra tinkamai prijungtas; patikrinkite ar elektros lizde yra įtampą;

Gręžtuvas «blokuojasi» arba kibirkščiuoja:

- patikrinkite anglies šepetėlių būklę ir pagal poreikį pakeiskite;

DĖMESIO! Anglies šepetėlius keitimą gali atlikti tik elektrikas.

- jeigu elektros prietaisas neveikia nepaisant to, kad turi elektros maitinimą, o jo anglies šepetėliai yra geros būklės, būtinai nuvežkite prietaisą į serviso punktą adresu nurodytu garantiniame lape.

GAMINTOJAS:

PROFİX Sp. z o.o., Marywilka 34, 03-228 Varšuva, Lenkija

APLINKOS APSAUGA:



DĖMESIO: Pateiktas simbolis reiškia, kad panaudotus prietaisus draudžiama išmesti kartu su kitomis atliekomis (už pažeidimą gresia piniginė bauda). Panaudoti elektros prietaisai bei elektroninės dalis ir komponentai turi neigiamą poveikį aplinkai ir žmonių sveikatai.

Namų ūkis turėtų prisidėti prie panaudotos įrangos utilizavimo bei pakartotino medžiagų panaudojimo (perdirbimo). Lenkijoje ir Europoje yra kuriama arba jau veikia panaudotos įrangos surinkimo sistema. Todėl visi paminėtos įrangos pardavimo taškai yra įpareigoti priimti panaudotą įrangą. Be to yra specialūs panaudotos įrangos priėmimo taškai.

PIKTOGRAMAI:

Paveikslėlių esančių prietaiso firminėje lentelėje ir informaciniuose lipdukuose paaiškinimas.



– «Prieš įjungdami perskaitykite naudojimo instrukciją!»



– «Visada dėvėkite apsauginius akinius!»



– «Naudokite klausos apsaugos priemones!»



– «Naudokite dulkių kaukę!»

DT-C2/d_zg/0114/05

Łomna Las: 2018.08.17

(GB) EC/EU DECLARATION OF CONFORMITY
(PL) DEKLARACJA ZGODNOŚCI WE/UE
(RO) DECLARAȚIE DE CONFORMITATE CE/UE

(LV) EK/ES ATBILSTĪBAS DEKLARĀCIJA
(LT) EB/ES ATITIKTIES DEKLARACIJA
(CZ) ES/EU PROHLÁŠENÍ O SHODĚ

(HU) EK/EU-MEGFELELŐSÉGI NYILATKOZATA

(GB) MANUFACTURER	(PL) PRODUCENT	(RO) PRODUCĂTOR	(LV) RAŽOTĀJS	(LT) GAMINTOJAS	(CZ) VÝROBCE	(HU) GYÁRTÓ
----------------------	-------------------	--------------------	------------------	--------------------	-----------------	----------------

PROFIX Sp. z o.o. ul. Marywilska 34, 03-228 Warszawa

(GB) Person who was authorized to develop technical documentation: (LT) Asmuo įgaliotais parengti techninę dokumentaciją;
(PL) Osoba upoważniona do przygotowania dokumentacji technicznej: (CZ) Osoba oprávněna připravit technickou dokumentaci;
(RO) Persoana împuternicită pentru pregătirea documentației tehnice: (HU) Műszaki dokumentáció elkészítésére meghatalmazott személy;
(LV) Persona atbildīga par tehnikās dokumentācijas sagatavošanu: (HU) Műszaki dokumentáció elkészítésére meghatalmazott személy;

Mariusz Rotuski, Centrum Dystrybucyjno-Handlowe PROFIX, ul. Dobra 3, Łomna Las, 05-152 Czosnów

(GB) Impact drill (PL) Wiertarka udarowa (RO) Bormașina cu rotopercutor (LV) Triecienuurbjašina (LT) Smūginis gręžtuvas (CZ) Příklepová vrtačka
(HU) Űtvefűrógép

TRYTON TDW1050

AT3230

220-230 V; 50 Hz; 1050 W; kl. II; n₀: 0-2800/min

S1819 -...- S2117

(GB) The object of the declaration described above is in conformity with the relevant Union harmonisation legislation: (PL) Wymieniony powyżej przedmiot niniejszej deklaracji jest zgodny z odpowiednimi wymaganiami unijnego prawodawstwa harmonizacyjnego: (RO) Obiectul declarației descris mai sus este în conformitate cu legislația relevantă de armonizare a Uniunii: (LV) Iepriekš aprakstītais deklarācijas priekšmets atbilst attiecīgajam Savienības saskaņošanas tiesību aktam (LT) Pirmiau aprašytas deklaracijos objektas atitinka susijusius derinamosius Sąjungos teisės aktus: (CZ) Výše popsaný předmět prohlášení je ve shodě s příslušnými harmonizačními právními předpisy Unie: (HU) A fent ismertetett nyilatkozat tárgya megfelel a vonatkozó uniós harmonizációs jogszabálynak:

(GB) 2006/42/EC (OJ L 157, 9.6.2006, p. 24–86); 2014/30/EU (OJ L 96, 29.3.2014, p. 79–106); 2011/65/EU of the European Parliament and of the Council of 8 June 2011 on the restriction of the use of certain hazardous substances in electrical and electronic equipment;

(PL) 2006/42/WE (Dz.U. L 157 z 9.6.2006, str. 24–86); 2014/30/UE (Dz.U. L 96 z 29.3.2014, str. 79–106); 2011/65/UE z dnia 8 czerwca 2011 r. w sprawie ograniczenia stosowania niektórych niebezpiecznych substancji w sprzęcie elektrycznym i elektronicznym (Dz.U. L 174 z 1.7.2011, str. 88–110)

(RO) 2006/42/CE (JO L 157, 9.6.2006, p. 24–86); 2014/30/UE (JO L 96, 29.3.2014, p. 79–106); 2011/65/UE a Parlamentului European și a Consiliului din 8 iunie 2011 privind restricțiile de utilizare a anumitor substanțe periculoase în echipamentele electrice și electronice;

(LV) 2006/42/EK (OV L 157, 9.6.2006., 24./86. lpp.); 2014/30/ES (OV L 96, 29.3.2014., 79./106. lpp.); 2011/65/ES (2011. gada 8. jūnijs) par dažu bīstamu vielu izmantošanas ierobežošanu elektriskās un elektroniskās iekārtās;

(LT) 2006/42/EB (OL L 157, 2006 6 9, p. 24–86); 2014/30/ES (OL L 96, 2014 3 29, p. 79–106); 2011/65/ES 2011 m. birželio 8 d. dėl tam tikrų pavojingų medžiagų naudojimo elektros ir elektroninėje įrangoje apribojimo;

(CZ) 2006/42/ES (Úř. věst. L 157, 9.6.2006, s. 24–86); 2014/30/EU (Úř. věst. L 96, 29.3.2014, s. 79–106); 2011/65/UE z dne 8. června 2011 o omezení používání některých nebezpečných látek v elektrických a elektronických zařízeních;

(HU) 2006/42/EK (HL L 157., 2006.6.9., 24–86. o.); 2014/30/EU (HL L 96., 2014.3.29., 79–106. o.); 2011/65/EK irányelve (2011. június 8.) egyes veszélyes anyagok elektromos és elektronikus berendezésekben való alkalmazásának korlátozásáról;

(GB) and have been manufactured in accordance with the standards:

(PL) oraz został(y) wyprodukowany(e) zgodnie z normą(ami):

(RO) și au fost produse conform normelor:

(LV) un tika izgatavoti atbilstoši normām:

(LT) bei yra pagamintas pagal normas:

(CZ) a byla(y) vyrobeny(y) podle normy(em):

(HU) és gyártás(uk) az alábbi szabvány(ok)nak megfelelően történt:

EN 60745-1:2009+A11:2010 EN 60745-2-1:2010

EN 55014-1:2017 EN 55014-2:2015 EN 61000-3-2:2014 EN 61000-3-3:2013

IEC 62321-4:2013 IEC 62321-5:2013 IEC 62321-6:2015 IEC 62321-3-1:2013 IEC 62321-7-1:2015

Mariusz Rotuski

Półnomocnik Zarządu ds. Certyfikacji

...Represéntative of the Board for Certification

(GB) This declaration of conformity is issued under the sole responsibility of the manufacturer. (PL) Niniejsza deklaracja zgodności wydana zostaje na wyłączną odpowiedzialność producenta. (RO) Prezenta declarație de conformitate este emisă pe răspunderea exclusivă a producătorului. (LV) Šī atbilstības deklarācija ir izdota vienīgi uz šāda ražotāja atbildību. (LT) Ši atitikties deklaracija išduota tik gamintojo atsakomybe. (CZ) Toto prohlášení o shodě vydal na vlastní odpovědnost výrobce. (HU) E megfelelősségi nyilatkozat a gyártó kizárólagos felelősségére kerül kibocsátásra.

