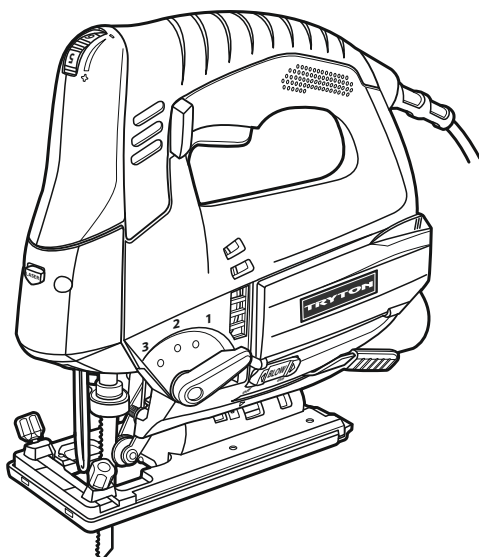


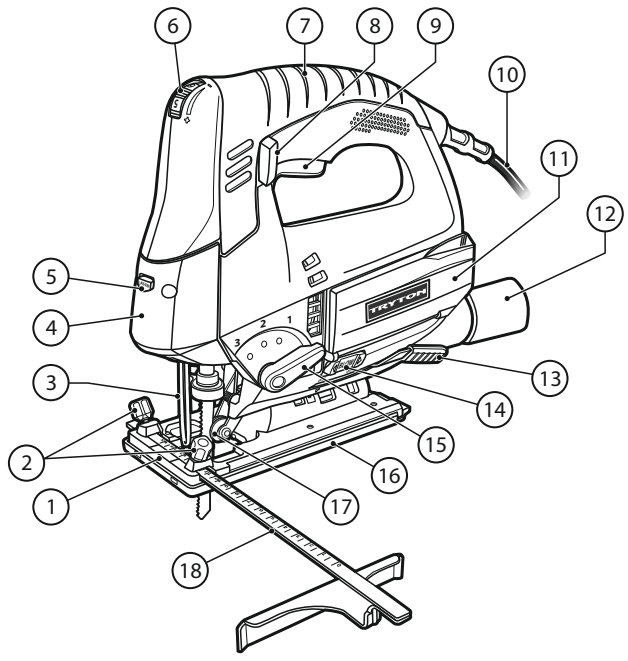
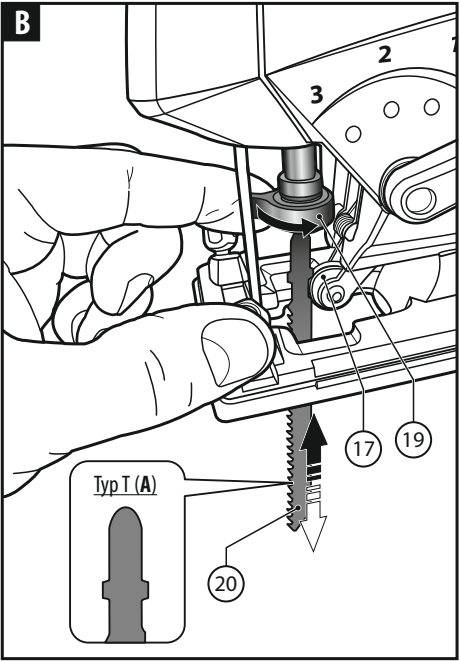
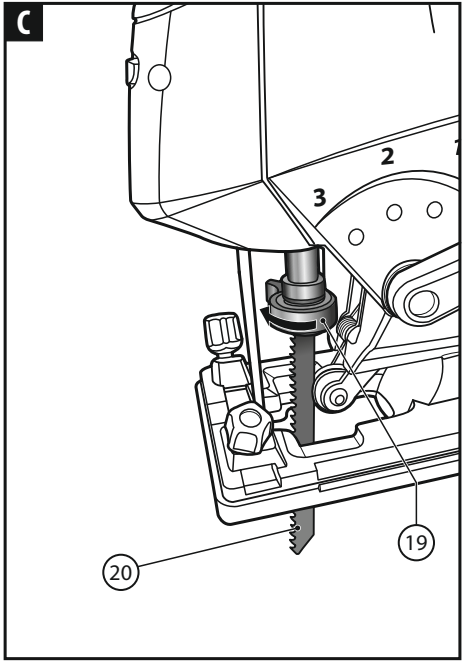
TRYTON

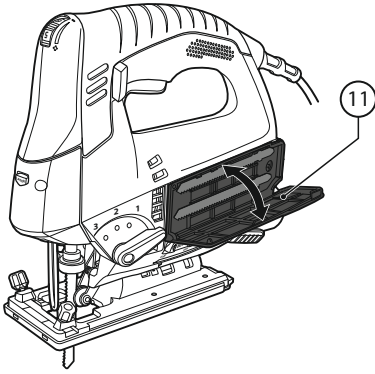
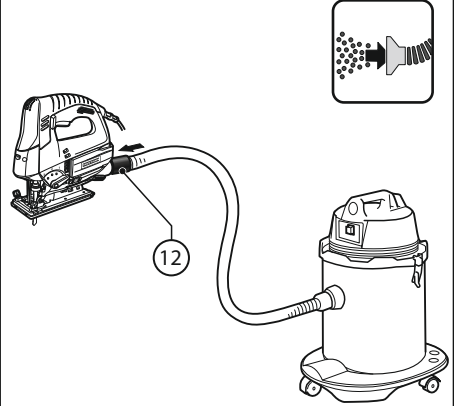
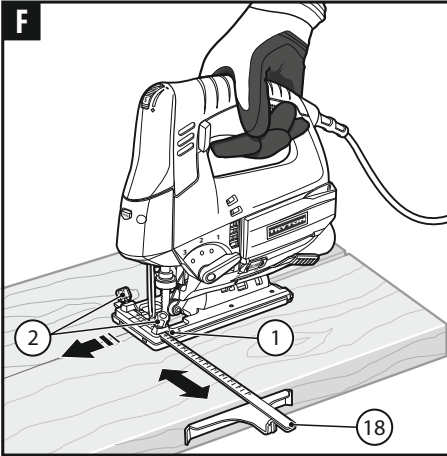
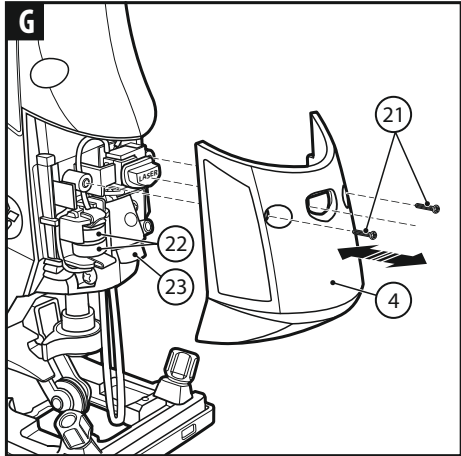
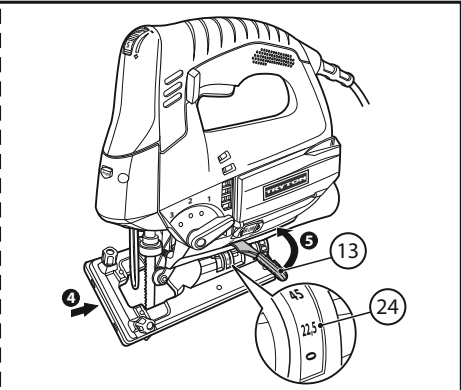
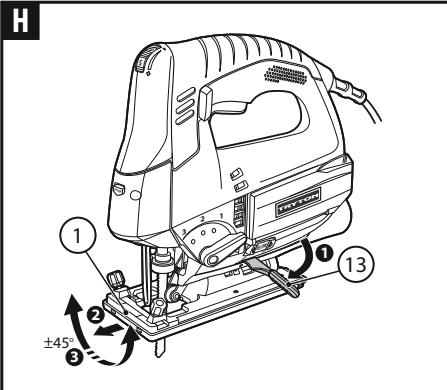
ELEKTRONARZĘDZIA



TMR800K

GB	Operating instruction	JIG SAW	4
PL	Oryginalna instrukcja obsługi	WYRZYNARKA	10
RU	Инструкция по эксплуатации	ЭЛЕКТРИЧЕСКИЙ ЛОБЗИК	16
RO	Instrucțiuni de folosire	TRAFORAJ ELECTRIC.....	23
LT	Naudojimo instrukcija	SIŪLINIS PJŪKLELIS	29
LV	Lietošanas instrukcija	FIGŪRZĀĢIS	35
CZ	Návod na obsluhu	ELEKTRICKÁ VYŘEZÁVACÍ PILA.....	41

A**B****C**

D**E****F****G****H**

**BEFORE YOU START USING THE MACHINE READ THOROUGHLY THIS MANUAL.**

Keep this document for future reference.



WARNING! Read all safety warnings marked with a symbol  and all operating safety instructions.

To limit the risk of fire, electric shock and injury while using the device, follow all operating safety instructions and tips provided below.

Keep all work safety instructions and tips for future reference.

In warnings provided herein the expression "power tool" means a power tool powered from the mains (with a power cord) or a battery powered power tool (cordless).



WARNING! General work safety warnings for use of the tool.

Workplace safety:

- Keep your workplace tidy and well lit.** *Untidiness and bad lighting result in higher accident rate.*
- Do not use the power tool in explosive environments, created by flammable liquids, gases or dusts.** *The power tool generates sparks that can ignite dust or vapors.*
- Keep children and unauthorized persons away from the place where the power tools are used.** *Inattention may result in losing control over your power tool.*



WARNING! General warnings regarding the use of power tools.

Electrics safety:

- Plugs used in power tools must match wall outlets. Never modify the plug of your power tool. Do not use any extension cables when operating a power tool with a grounding/earthing conductor (PE).** *Any modifications of plugs and outlets increase the risk of electric shock.*
- Avoid touching earthed surfaces or grounded items like pipes, heaters, central heating radiators and refrigerators.** *Touching earthed or grounded surfaces increases the risk of electric shock.*
- Do not expose your power tool to rain or damp environments.** *Water penetrating the tool increases the risk of electric shock.*
- Do not damage the power cord. Never use the power cord to carry, pull the power tool and do not pull by its power cord to disconnect plug from the outlet. Keep the power cord away from sources of heat, oils, sharp edges and moving parts.** *Damaged or entangled power cords increase the risk of electric shock.*
- When your power tool is operated outdoors use extension cords intended for outdoor use only. Using an extension cable intended for outdoor use decreases the risk of electric shock.**
- When it is unavoidable to use your power tool in a damp environment use an RCD (Residual Current Device) for protection.** *The use of RCDs decreases the risk of electric shock.*



WARNING! General warnings regarding the use of power tools.

Personal safety:

- This equipment is not intended for use by persons (including children) disabled physically, mentally, sensorial or persons with no experience and knowledge in operating the equipment unless they operate the equipment under supervision or follow user's instructions provided by persons responsible for their safety.**
- It is necessary to predict steps, watch and keep common sense when using power tools. Do not operate power tools when you are tired, under influence of drugs, medicine or alcohol.** *A moment of inattention while operating a power tool may result in serious personal injury.*
- Use personal protective equipment (PPE).** *Always wear safety goggles. Wearing personal protective equipment (PPE) including a dust mask, anti-slippery footwear, a helmet and ear protection reduces personal injury.*
- Avoid unexpected start up. Before connecting your power tool to the mains and/or inserting a battery make sure its power switch is in off position.** *Carrying your power tool with a finger on its power switch or without disconnecting it from the mains (switched on) may result in an accident.*
- Before starting your power tool remove any keys/wrenches.** *Leaving a key/wrench in the rotating part of your power tool may result in personal injury.*
- Do not lean forward too far. Always remain stable and maintain balance.** *It will allow you to have a better control over your power tool in unpredictable situations.*
- Wear appropriate clothing. Do not wear loose clothes or jewelry. Keep your hair tied. Keep your clothes away from moving parts.** *Loose clothes, jewelry or long hair may be caught by moving parts.*
- If your power tool allows for using an external dust extraction or collection system, make sure it is connected and used properly. Using dust collectors may reduce dust affected risks.**



WARNING! General warnings regarding the use of power tools.

Use and taking care of your power tool:

- Do not overload your power tool. Use a power tool with power adjusted to work being done.** *An appropriately chosen power tool will allow you to work better and safer under load it has been designed for.*
- Do not use a power tool when its power switch is out of order (it does not switch it on or off).** *Any power tool with its power switch out of order is dangerous and must be repaired.*
- Always disconnect the plug from the power source and/or disconnect its battery before changing any settings, performing replacement or storage.** *Such preventive measures reduce the risk of accidental power tool start up.*
- Keep your power tool out of reach of children and do not allow unauthorized persons to use the power tool.** *Power tools in hands of untrained persons can be dangerous.*

- e) **Power tools require maintenance. Check power tools for concentricity or jamming of moving parts, any cracks and all other factors affecting the power tool work safety. If any damage to the power tool is detected, it should be repaired before use. Improper power tool maintenance is a reason for many accidents.**
- f) **Cutting tools should be sharp and clean. Keeping sharp cutting edges in good condition reduces the risk of jamming and facilitates operation.**
- g) **Power tools, equipment, working tools etc. should be used according to this user's manual taking into account operating conditions and the work to be done. Misusing a power tool can result in dangerous situations.**
- h) **At low temperatures and after a long brakes in operation it is recommended to turn the power tool to operate it with no load for a few minutes to provide proper grease distribution inside its driving mechanism.**
- i) **Use soft, damp (cannot be wet) cloth and soap to clean power tools. Do not use petrol, solvents and other agents that may damage your equipment.**
- j) **Power tools can be stored/carried after making sure that all moving components are locked and protected against release with original devices intended for this purpose.**
- k) **Store power tools in a dry, dust and water-protected place.**
- l) **Carry your power tool in its original packaging to provide protection against mechanical damage.**
- e) **Secure the workpiece. Make sure that all the clamps are fastened and that there is no excessive clearance. It is safer to fix the workpiece in a holding device or vice than to hold it in your hands.**
- f) **Always use protective goggles and hearing protection. Whenever it is necessary use proper personal protective equipment:**
 - a face mask to reduce the risk of inhaling harmful dusts;
 - protective gloves when the blade is moving and a rough material is being handled.
- g) **Make sure that the adjustable foot (1) is properly secured during the cutting process. A blocked blade can break or cause kickback.**
- h) **Use only blades that are in an impeccable condition. Bent or dull blades can break or cause a kickback.**
- i) **Start the tool before the blade touches the material. Otherwise, there is a risk of kickback when the tool blocks in the workpiece.**
- j) **Hold your hands away from the cutting range. Do not place your hands under the workpiece. You may suffer cuts when touching the blade.**
- k) **After the work is completed, switch off the tool. The blade may be taken out of the workpiece after its motions stop. This way, kickback can be avoided and the tool can be safely put away.**
- l) **Disconnect the tool from the power supply during breaks, when replacing the blade, and when repairing, cleaning, or adjusting the tool.**
- m) **Never use a tool with damaged cord. Do not touch a damaged cord; if the cord becomes damaged during work, take out the plug from the power socket. Damaged cords increase the risk of electric shock.**



WARNING! General warnings regarding the use of power tools.

Repair:

- a) **Power tools can be repaired by competent persons only who use original spare parts. It will provide safe operation for the power tool.**




WARNING! While operating power tools it is necessary to observe basic work safety rules to avoid fire, electric shock or mechanical injury.



WARNING! **JIG SAW, Additional Safety Warnings:**

- a) **When performing works where the tool could hit concealed electric wires or the tool's own cord, the electric tool must be held by the insulated surfaces of the handle. Contact with a mains cable may transfer could make the metal parts of the tool live and result in an electric shock of the operator.**
- b) **Use proper devices to locate concealed power supply cables or ask the building's administrator. Contact with live wires may cause a fire and electric shock. Damage to a gas pipe may cause an explosion. Damage to a water supply pipe may cause damage to property.**
- c) **Do not work with materials containing asbestos. Asbestos is a recognized carcinogenic substance.**
- d) **The work place must be tidy at all times. Mixtures of materials are particularly dangerous. Light metal dust may become lit up or explode.**

- n)  **The jig saw is provided with a laser pointer, with class 2 laser according to the EN60825-1:2007 standard. Never look at the laser beam and point the beam at people's or animals' eyes. Looking at a beam emitted by a class 2 laser is not hazardous, provided that it lasts no more than 0,25 s. The eye closing reflex is generally a sufficient protection. Use of optical devices, such as glasses or binoculars does not increase the risk of eye injury.**

DESIGN AND PURPOSE OF THE JIG SAW:

The jig saw is a tool with second protection class (double insulation), is supplied with a single-phase engine, and is provided with an electric speed control system. The possibility to control the speed and the 4-step adjustment of the blade movement guarantee optimum efficiency of the cutting process.

The jigsaw is intended for cutting in wood and wood-based materials, plastics, metal, ceramic tiles, and rubber. The cutting process is effected with a proper blade which is suitable for the material being cut.

The tool is suitable for straight and inclined cuts, up to 45°. It is intended for home and industrial use with medium intensity. It is not suitable for long use in hard conditions.

The tool must not be used for work requiring a professional. Any use of the jig saw that is not in observance with the above-mentioned purpose is forbidden, leads to the loss of warranty, and

relieves the manufacturer from responsibility for the resulting damage.

Any modifications of the tool by the user relieve the manufacturer from responsibility for any damage and injuries to the user and the surroundings.

Proper use of the jig saw also pertains to maintenance, storage, transport, and repairs.

The jig saw must only be repaired in service points designated by the manufacturer. Electric tools supplied from the mains must be repaired by properly authorized persons.

Proper use cannot guarantee that no residual risk will occur. Due to the design of the machine, the following risks may occur:

- the operator may touch the blade during work in a part of the jig saw that is not covered;
- the operator may suffer burns when replacing the blade (the blade heats up during work and to avoid burns one must use protective gloved when replacing it);
- the workpiece or its part may be thrown away by the saw;
- the blade may crack/break;
- the operator may suffer a hearing injury due to the failure to use the required hearing protection equipment;
- the operator may inhale the harmful wood dust while performing work in closed premises.

COMPONENTS:

- Jigsaw – 1 pc
- Rip fence – 1 pc
- Footplate - 1 piece
- Blades - 2 pieces (metal, timber)
- Hex key – 1 pc
- Vacuum cleaner connector – 1 pc
- Graphite brushes - 2 pcs.
- Transport box – 1 pc
- User's manual - 1 pc
- Warranty card - 1 pc

ELEMENTS OF THE DEVICE:

Numbering scheme of elements of the device relates to the figures on pages 2-3 of the operating manual:

- Fig. A:**
1. Adjustable foot (0° - 45°)
 2. Rip fence fixing screws
 3. Protection guard
 4. Laser cover
 5. Laser pointer ON/OFF switch
 6. Speed control knob
 7. Handle with anti-slip plate
 8. Switch lock pushbutton
 9. Switch
 10. Power cord
 11. Magnetic compartment for blades
 12. Vacuum cleaner connector
 13. Locking lever of a fret saw foot
 14. Chips blowout on/off switch
 15. Orbital action switch
 16. Foot plate
 17. Guide roll
 18. Rip fence

Fig. B: 19. Blade holder

20. Blade

Fig. G: 21. Fixing screws

22. Laser battery

23. Laser pointer

Fig. H: 24. Bevel angle scale

TECHNICAL DATA:

Rated voltage	230V	
Rated frequency	50 Hz	
Rated power	800 W	
Operating speed	800-3100 rpm	
Stroke length	23 mm	
Angle cuts	0° - 45°	
Cutting depth:	wood	110 mm
	aluminum	15 mm
	steel	10 mm
Laser pointer:	laser class	2
	laser wavelength	650 nm
	laser power	≤1mW
Protection class	II	
Power cord length	3 m	
Net weight	2,65 kg	
Sound pressure level (LpA), (K=±3dB(A))	88,2 dB(A)	
Sound power level (LwA), (K=±3dB(A))	99,2 dB(A)	
Vibration level acc. to EN 60745 (measurement tolerance K=1,5 m/s ²)	cutting in wood	9,321 m/s ²
	cutting in metal	7,898 m/s ²

The vibration level value given refers to basic application of the tool. If the tool is used for other applications or with other tools, or if it is not maintained properly, the vibration level may differ from the values given. The above-mentioned causes may lead to higher exposure to vibrations during the whole work time.

One must implement additional safety measures to protect the operators from exposure to vibrations, such as maintenance of the electric tool and work tools, assurance of proper hand temperature, or determination of the sequence of work operations.

PREPARATION FOR WORK:

1. Make sure that the parameters of the power source match the parameters of the jig saw enumerated on the data plate.
2. Make sure that the switch of the jig saw is in the OFF position.
3. When working with an extension cord, make sure that the parameters of the extension cord and the cross-sections of the cables match the parameters of the jig saw. Use the shortest extension cords possible. The extension cord used should be completely unfolded.
4. When cutting a wood piece that has been processed, watch out for foreign objects, such as nails, screws, etc.

NOTE! Remove the plug from the power tool's mains before any adjustments, replacement of parts or storage of the device.

■ Installing the blade

The jig saw can work with any blades with T-type (type A acc. to Profix catalogue). The tools sold by the manufacturers, most often in sets, depending on their intended use, can have different size and type of the cutting teeth. The manufacturer usually provides information on the intended use of the different blades on the blade set package or in an

attached leaflet. The individual blades may be marked with different colors for different materials to be cut.



ATTENTION! Before installing the blade and performing any maintenance work, make sure that the power cord of the jig saw is not connected to a power source.

When mounting the saw blade, wear protective gloves. Danger of injury when touching the saw blade.

A special grip (19) provides quick installation of the blade.

- Pull a grip wheel (19) towards the arrow (Fig. B), so that the fastening groove was parallel to the longitudinal axis of the fret saw.
- Insert the selected blade (20), with teeth facing out, all the way into the grip's slot (19). Release the grip wheel that automatically locks the blade (Fig. C).

ATTENTION! Check if the blade is fixed firmly. Loose blade may fall out and injure the operator.

- In order to remove the blade, perform the above-mentioned actions in the reverse order.

■ Compartments for blades

Integrated magnetic compartments for blades (11) are located on both sides of the fret saw. They can be used for storing the blades.

- Open the compartment cover (11), holding the catch at the top of the cover and pull it out (Fig. D).
- Blades are mounted in the compartment by means of a magnetic strip. To take the blade out, press one of its ends and pull out holding its raised part.
- Close the cover of the blades' compartment (11).

NOTE! Before you start working, make sure that the compartments are properly locked.

■ Footplate

The device is equipped with a plastic foot plate (16) that prevents scratching of the surface being cut. If the plate is damaged during operation, replace it with a new one.

USE:

■ Switching the jig saw on/off

- To turn the power tool on press its switch button (9) and keep it pressed.
- To lock the switch in on position press the lock (8). The continuous operation lock button is available on both sides of the fret saw and allows for easy and comfortable operation by both the right and left-handed users.
- To turn the power tool off just release the switch (9) button or, when it is locked with switch lock (8), press it for a moment and then release it.

■ Preliminary selection of the speed

In the top front part of the jig saw handle there is a speed control knob (6). The knob can be used to set up the cutting speed, which depends on the type of material to be cut and the working conditions, and can be selected by trial and error.

After long work with low speed, cool down the motor by switching it off and making it work without load with maximum speed for approx. 3 minutes.

■ Adjustment of the orbital cutting action

On the left side of the jig saw body there is a switch to control the ancillary orbital cutting action (15) of the jig saw head (the undercut function).

This additional functionality makes it possible to optimize the work process for specific materials.

The following four options of the orbital cutting action can be selected with the switch (15). The options can be changed when the tool is on:

Option 0 – Orbital cutting action off

Option 1 – Small orbit cutting action

Option 2 – Medium orbit cutting action

Option 3 – Large orbit cutting action

It is recommended that:

- The orbital cutting action should be the smaller (or off) the finer and cleaner the cutting edge must be.
- When cutting thin materials, such as metal sheet, orbital cutting action should be off.
- In the case of hard materials, such as steel, small orbit cutting action should be selected.
- In the case of soft materials and for ripping large orbit cutting action should be selected.
- When using knife-type blade, orbital cutting action should be off.

The optimum work parameters can only be found by trial and error.

When cutting metal, it is recommended to use a proper cooling-lubricating agent along the cut line.

■ Protection guard

The protection guard (3) located on the tool's housing prevents the user from inadvertently touching the blade during work. The guard must not be removed.

■ Sawdust Blower Device

With the air jet of the sawdust blower device, the cutting line can be kept free of dust and chips.

- Switching on the sawdust blower device: set the switch (14) to on.
- Switching off the sawdust blower device: set the switch (14) to off.

■ Sucking out saw dust and fillings (see fig. E)

The jig saw is provided with a connector (12) for connecting a vacuum cleaner in order to remove all the saw dust and fillings. The vacuum cleaner must be suitable for the material being cut.

NOTE! Before connecting the vacuum cleaner, make sure that the power cord of the fret saw is unplugged.

- Insert the connecting element (12) to a dust removal nozzle and connect the vacuum cleaner hose to it.

NOTE: When extracting chips, the blowout on/off switch (14) should be set to off position.

■ Rip cut (see fig. F)

Loosen the clamping screws (2) and slide the parallel guide (18) through the holders in the foot (1). Set the required width with the scale on the interior side of the guide. Fasten the fixing screws and make the cut.

■ Laser pointer

The laser pointer (23) shows the line of the cut. Mark the required cut line on the surface of the workpiece and guide the laser line along the marked line during the cutting operation.

- In order to switch the laser pointer on or off, press the ON/OFF button (5).

Before you start the cutting operation, make sure the line of the cut is shown properly. The laser pointer may change its position due to

vibrations present during intensive use of the tool.

REMARK: After the cutting operation is completed, remember to switch off the laser.

■ Battery replacement (see Fig. G)

A laser pointer (23) is powered by two alkaline batteries AG13 1.5V. Batteries should be replaced when the laser light becomes dim and the beam is scattered.

- Unscrew the fastening screws (21) to detach the laser cover (4) from the fret saw. Pull the laser cover forwards.
- Remove old batteries (22) and put the new ones of the AG13 type in their place. Make sure that the positive(+) and negative (-) poles are connected properly. Put the laser cover (4) back to its place.

NOTE! Do not dispose used batteries with other waste. Used batteries or accumulators shall be left at the waste collection points.

■ Cutting

- Using a drill make a 10 mm hole in the material to be cut.
- Insert your jigsaw blade into the hole and start cutting.

■ Adjusting the saw foot for bevel cutting (see Fig. H)

NOTE! Do not use the fret saw with disassembled or untightened foot.

The fret saw foot (1) is factory set to the middle position (0°) and can be adjusted for bevel cutting both to the left and right, up to the angle of 45°.



NOTE! Before changing the fret saw's foot setting angle, make sure that the power cable is unplugged.

1. Pull the locking lever of the fret saw foot (13) out to unlock the foot.
2. Pull the fret saw foot (1) to the front.
3. Set the required angle 22.5° or 45°, using the scale (24).
4. Push the fret saw foot (1) to the back.
5. Move the locking lever of the fret saw foot (13) to the back to lock the fret saw foot (1).



NOTE! Make sure that the adjustable foot is properly secured during the cutting process. A blocked blade can break or cause kickback.

To reset the fret saw foot (1) for straight cutting, repeat the procedure described above, setting the foot at an angle of 0°.

■ Tips regarding the operation

The basic principles of proper use of the jig saw:

- cut the material with medium pressure, so that the jig saw is not overloaded;
- excessive pressure on the jig saw may slow down or interrupt the movement of the blade and slow down or stop the cutting process;
- when cutting with the jig saw, its foot should rest with its whole surface on the workpiece;
- prior to cutting openings in hard materials, a hole must be drilled so as to place the blade in it;
- when cutting lines forming an acute angle or connected with a small-radius arc, use narrow blades and switch off the orbital cutting action;
- use of the guide facilitates staying on the cut line.

STORAGE AND MAINTENANCE:

The tool must be stored in a place that is not accessible to children and must be kept clean and protected from moisture and dust. The storage conditions should prevent potential mechanical damage and impact of

the weather conditions.

The jig saw in principle does not require any special maintenance or service. However, by periodically lubricating the blade guide roll (17) you can extend its service life.

Regularly check the condition of the screws fastening the fret saw body and the foot. If necessary, tighten them.

After work is completed, the ventilation openings and the blade holder should be cleaned with compressed air. This will prevent damage to the bearings and remove the dust blocking the access of air to cool the engine.

The body must be cleaned with a clean, moist cloth with small quantity of soap and then wiped dry. Do not use any detergents or solvents as they can damage parts made from plastics.

Make sure that no water enters inside the tool.

Visible dirt in the outlet orifice of the laser beam should be gently removed with use of sticks with cotton buds soaked with liquids for glass cleaning.

TROUBLESHOOTING:

The electric tool fails to switch on or works with breaks:

- check whether the power cord (10) is correctly plugged in and the electric power outlet is energized;
- check condition of carbon brushes and replace them if necessary.

NOTE! Carbon brushes can be replaced only by competent electricians.

- if the defect persists, the tool fails to work despite of voltage presence and carbon brushes are in good condition, hand the tool over for repair to an authorized workshop to the address specified in warranty card.

TRANSPORT:

The jig saw must be transported and stored in the transport case which protects it from moisture, penetration of dust and small objects. In particular, the ventilation slots of the jig saw must be protected. Small items that get inside the housing may damage the engine.

MANUFACTURER:

PROFIX Co. Ltd.
34, Marywilaska St.,
03-228 Warsaw, POLAND

This appliance is in conformity with national and European standards as well as with general safety guidelines.

NOTE! Any repairs are allowed to be carried out exclusively by qualified staff with use of original spare parts.

ENVIRONMENTAL PROTECTION:



NOTE: The symbol nearby denotes that old equipment must never be disposed together with other wastes (with the penalty of a fine). Hazardous components of electronic equipment may adversely affect the natural environment and human health.

Each household may contribute to recovery and reuse (recycling) of old machinery and equipment. Both in Poland and Europe a system for recovery of used equipment either exists or is being developed. The system obliges all organizations that sell such equipment to collect back the used machinery and appliances. Moreover, general purpose collecting points for such equipment are also available.

PICTOGRAMS:

Explanation of the icons located on the nominal plate and the information tags.



– «*Read this instruction before switching on the power supply and starting the work*»



– «*Always wear safety goggles*»



– «*Wear ear protectors*»



– «*Wear a dust mask*»



The policy of the PROFIX company consists in permanent improvements of the offered products and therefore the company reserves the right to make amendments to the product specification without a prior notice. The images included into the operation manual are only of the exemplary nature and may slightly differ from actual appearance of the device purchased.

This instruction manual is protected by copyright. Copying it without the written consent of PROFIX Co. Ltd. is prohibited.



PRZED PRYZYŚCIENIEM DO UŻYTKOWANIA NALEŻY ZAPOZNAĆ SIĘ Z NINIEJSZĄ INSTRUKCJĄ.

Zachowaj instrukcję do ewentualnego przyszłego wykorzystania.



OSTRZEŻENIE! Należy przeczytać wszystkie ostrzeżenia dotyczące bezpieczeństwa użytkowania oznaczone symbolem ⚠ i wszystkie wskazówki dotyczące bezpieczeństwa użytkowania.

Nieprzebrnięcie podanych niżej ostrzeżeń dotyczących bezpieczeństwa i wskazówek dotyczących bezpieczeństwa może być przyczyną porażenia prądem elektrycznym, pożaru i/lub poważnych obrażeń.

Zachowaj wszystkie ostrzeżenia i wskazówki dotyczące bezpieczeństwa, aby móc skorzystać z nich w przyszłości.

W podanych niżej ostrzeżeniach wyrażenie „elektronarzędzie” oznacza elektronarzędzie zasilane z sieci (z przewodem zasilającym) lub elektronarzędzie zasilane z akumulatora (bezprowadowe).



OSTRZEŻENIE! Ogólne ostrzeżenia dotyczące bezpieczeństwa użytkowania narzędzia.

Bezpieczeństwo w miejscu pracy:

- W miejscu pracy należy utrzymywać porządek i dobre oświetlenie.** Nieporządek i złe oświetlenie przyczynia się do wypadków.
- Nie należy używać elektronarzędzia w środowiskach wybuchowych, tworzonych przez łatwopalne ciecze, gazy lub pyły.** Elektronarzędzie wytwarza iskry, które mogą zapalić pył lub opary.
- Nie należy dopuszczać dzieci i obserwatorów do miejsc, w których używa się elektronarzędzi.** Rozproszenie uwagi może spowodować utratę kontroli nad elektronarzędziem.



OSTRZEŻENIE! Ogólne ostrzeżenia dotyczące bezpieczeństwa użytkowania narzędzia.

Bezpieczeństwo elektryczne:

- Wtyczki elektronarzędzi muszą pasować do gniazdek.** Nigdy w żaden sposób nie należy przerabiać wtyczki. Nie należy używać żadnych przedłużaczy w przypadku elektronarzędzi mających przewód z żyłą uziemienia ochronnego. Brak przeróbek we wtyczkach i gniazdkach wtyczkowych zmniejsza ryzyko porażenia prądem elektrycznym.
- Należy unikać dotykania powierzchni uziemionych lub zwartych z masą, takich jak rury, ogrzewacze, grzejniki centralnego ogrzewania i chłodziarki.** W przypadku dotknięcia części uziemionych lub zwartych z masą, wzrasta ryzyko porażenia prądem elektrycznym.
- Nie należy narażać elektronarzędzi na działanie deszczu lub warunków wilgotnych.** W przypadku przedostania się do elektronarzędzia wody, wzrasta ryzyko porażenia prądem elektrycznym.
- Nie należy nadwierać przewodów przyłączeniowych.** Nigdy nie należy używać przewodu przyłączeniowego do

przenoszenia, ciągnięcia elektronarzędzia lub wyciągania wtyczki z gniazdka. Należy trzymać przewód przyłączeniowy z daleka od źródeł ciepła, olejów, ostrych krawędzi lub ruchomych części. Uszkodzone lub zaplątane przewody przyłączeniowe zwiększają ryzyko porażenia prądem elektrycznym.

- W przypadku, gdy elektronarzędzie używa się na wolnym powietrzu, przewody przyłączeniowe należy przedłużać przedłużaczami przeznaczonymi do pracy na wolnym powietrzu.** Używanie przedłużacza przeznaczonego do pracy na wolnym powietrzu zmniejsza ryzyko porażenia prądem elektrycznym.
- W przypadku, gdy używanie elektronarzędzia w środowisku wilgotnym jest nieuniknione, jako ochronę przed napięciem zasilania należy stosować urządzenie różnicowoprądowe (RCD).** Zastosowanie RCD zmniejsza ryzyko porażenia prądem elektrycznym.



OSTRZEŻENIE! Ogólne ostrzeżenia dotyczące bezpieczeństwa użytkowania narzędzia.

Bezpieczeństwo osobiste:

- Niniejszy sprzęt nie jest przeznaczony do użytkowania przez osoby (w tym dzieci) o ograniczonej zdolności fizycznej, czuciowej lub psychicznej, lub osoby nie mające doświadczenia lub znajomości sprzętu, chyba że odbywa się to pod nadzorem lub zgodnie z instrukcją użytkowania sprzętu, przekazanej przez osoby odpowiadające za ich bezpieczeństwo.**
- Należy być przewidującym, obserwować co się robi i zachowywać rozsądek podczas używania elektronarzędzia.** Nie należy używać elektronarzędzia, gdy jest się zmęczonym lub pod wpływem narkotyków, alkoholu lub leków. Chwila nieuwagi podczas pracy elektronarzędziem może spowodować poważne osobiste obrażenia.
- Należy stosować wyposażenie ochronne.** Należy zawsze zakładać okulary ochronne. Używanie w odpowiednich warunkach wyposażenia ochronnego, takiego jak maska przeciwpyłowa, obuwie antypoślizgowe, kask lub ochronniki słuchu, zmniejsza osobiste obrażenia.
- Należy unikać niezamierzonego rozruchu.** Przed przyłączeniem do źródła zasilania i/lub przed podłączeniem akumulatora oraz zanim podniesie się lub przeniesie się narzędzie należy upewnić się, że wyłącznik elektronarzędzia jest w pozycji wyłączony. Przenoszenie elektronarzędzia z palcem na wyłączniku lub przyłączenie elektronarzędzia do sieci zasilającej przy załączonym wyłączniku może być przyczyną wypadku.
- Przed uruchomieniem elektronarzędzia należy usunąć wszystkie klucze.** Pozostawienie klucza w obracającej się części elektronarzędzia może spowodować osobiste obrażenia.
- Nie należy wychylać się za daleko.** Należy cały czas stać pewnie i zachować równowagę. Umożliwi to lepszą kontrolę nad elektronarzędziem w sytuacjach nieprzewidywalnych.
- Należy odpowiednio się ubierać.** Nie należy nosić luźnego ubrania ani biżuterii. Należy utrzymywać swoje włosy,

ubranie i rękawiczki z dala od części ruchomych. Luźne ubrania, biżuteria lub długie włosy mogą zostać zacepione przez części ruchome.

- h) Jeżeli urządzenia są przystosowane do przyłączenia zewnętrznego odciągu pyłu i pochłaniacza pyłu, należy upewnić się, że są one przyłączone i prawidłowo użyte. Użycie pochłaniacza pyłu może zredukować zagrożenia zależne od zapylenia.



OSTRZEŻENIE! Ogólne ostrzeżenia dotyczące bezpieczeństwa użytkowania narzędzia.

Użytkowanie i troska o elektronarzędzie:

- a) Nie należy elektronarzędzia przeciążać. Należy stosować elektronarzędzie o mocy odpowiedniej do wykonywanej pracy. Właściwe elektronarzędzie umożliwi pracę lepszą i bezpieczniejszą przy obciążeniu, na jakie zostało zaprojektowane.
- b) Nie należy używać elektronarzędzia, jeżeli łącznik go nie załącza i nie wyłącza. Każde elektronarzędzie, którego nie można załączać lub wyłączać łącznikiem, jest niebezpieczne i musi zostać naprawione.
- c) Należy odłączyć wtyczkę ze źródła zasilania elektronarzędzia i/lub odłączyć akumulator przed wykonaniem każdej nastawy, wymiany części lub magazynowaniem. Takie zapobiegawcze środki bezpieczeństwa redukują ryzyko przypadkowego rozruchu elektronarzędzia.
- d) Nieużywane elektronarzędzie należy przechowywać poza zasięgiem dzieci i nie należy pozwalać osobom niezaznajomionym z elektronarzędziem lub niniejszą instrukcją na używanie elektronarzędzia. Elektronarzędzia są niebezpieczne w rękach nieprzeszkolonych użytkowników.
- e) Elektronarzędzia należy konserwować. Należy sprawdzać współosiowość lub zakleszczenie się części ruchomych, pęknięcia części i wszystkie inne czynniki, które mogą mieć wpływ na pracę elektronarzędzia. Jeżeli stwierdzi się uszkodzenia, należy elektronarzędzie przed użyciem naprawić. Przyczyną wielu wypadków jest niefachowy sposób konserwacji elektronarzędzia.
- f) Narzędzia tnące powinny być ostre i czyste. Odpowiednie utrzymywanie ostrych krawędzi narzędzi tnących zmniejsza prawdopodobieństwo zakleszczenia i ułatwia obsługę.
- g) Elektronarzędzie, wyposażenie, narzędzia robocze itp. należy stosować zgodnie z niniejszą instrukcją, biorąc pod uwagę warunki pracy i rodzaj pracy do wykonania. Używanie elektronarzędzia w sposób, do którego nie jest przewidziane, może spowodować niebezpieczną sytuację.
- h) W niskich temperaturach, lub po dłuższym okresie nie użytkowania, zalecane jest włączenie elektronarzędzia bez obciążenia na okres kilku minut w celu właściwego rozprowadzenia smaru w mechanizmie napędu.
- i) Do czyszczenia elektronarzędzi stosować miękką, wilgotną (nie mokra) szmatkę i mydło. Nie stosować benzyny, rozpuszczalników i innych środków mogących uszkodzić urządzenie.
- j) Elektronarzędzie należy przechowywać/transportować po upewnieniu się, że wszystkie jego elementy ruchome są zablokowane i zabezpieczone przed odblokowaniem za

pomocą oryginalnych elementów do tego przeznaczonych.

- k) Elektronarzędzie należy przechowywać w miejscu suchym, zabezpieczone przed kurzem i wnikaniem wilgoci.
- l) Transportowanie elektronarzędzia powinno odbywać się w opakowaniu oryginalnym, zabezpieczającym przed uszkodzeniami mechanicznymi.



OSTRZEŻENIE! Ogólne ostrzeżenia dotyczące bezpieczeństwa użytkowania narzędzia.

Naprawa:

- a) Naprawę elektronarzędzia należy zlecać wyłącznie osobie wykwalifikowanej, wykorzystującej wyłącznie oryginalne części zamienne. Zapewni to, że użytkowanie elektronarzędzia będzie nadal bezpieczne.



OSTRZEŻENIE!

Podczas pracy narzędziem elektrycznym zaleca się zawsze przestrzegać podstawowych zasad bezpieczeństwa pracy, w celu uniknięcia wybuchu pożaru, porażenia prądem elektrycznym lub obrażenia mechanicznego.




OSTRZEŻENIE!

WYRZYNARKA, szczególne wskazówki dotyczące bezpiecznego użytkowania urządzenia:

- a) Podczas wykonywania prac, przy których narzędzie mogłoby natrafić na ukryte przewody elektryczne lub na własny przewód zasilający, elektronarzędzie należy trzymać za izolowane powierzchnie rękojeści. Kontakt z przewodem sieci zasilającej może spowodować przekazanie napięcia na części metalowe elektronarzędzia, co mogłoby spowodować porażenie prądem elektrycznym.
- b) Należy używać odpowiednich przyrządów poszukiwawczych w celu lokalizacji ukrytych przewodów zasilających, lub poprosić o pomoc administrację obiektu. Kontakt z przewodami znajdującymi się pod napięciem może doprowadzić do powstania pożaru i porażenia elektrycznego. Uszkodzenie przewodu gazowego może doprowadzić do wybuchu. Wniknięcie do przewodu wodociągowego powoduje szkody rzeczowe.
- c) Nie należy obrabiać materiału zawierającego azbest. Azbest powoduje chorobę nowotworową.
- d) Miejsce pracy należy utrzymywać w czystości. Mieszanki materiałów są szczególnie niebezpieczne. Pył z metalu lekkiego może się zapalić lub wybuchnąć.
- e) Należy zabezpieczyć obrabiany przedmiot. Upewnić się, czy wszystkie części mocujące są ściśnięte i zweryfikować, aby nie było przesadnego luzu. Zamocowanie obrabianego przedmiotu w urządzeniu mocującym lub imadło jest bezpieczniejsze niż trzymanie go w ręku.
- f) Należy zawsze zakładać okulary ochronne i ochronniki słuchu. Stosuj, kiedy jest to konieczne, odpowiednie środki ochrony osobistej:
- maskę ochronną w celu zmniejszenia zagrożenia wdychania szkodliwego pyłu,
 - rękawice ochronne, kiedy brzeszczot jest w ruchu i manipuluje się chropowatym materiałem.
- g) Należy uważać, by stopa regulowana (1) podczas cięcia była dokładnie zamocowana. Zablokowany brzeszczot może się złamać lub doprowadzić do odrzutu.

- h) **Należy używać jedynie nie uszkodzonych brzeszczotów bez zarzutu.** Skrzywione lub tępe brzeszczoty mogą się złamać lub spowodować siłę zwrotną.
- i) **Elektronarzędzie uruchomić przed zetknięciem brzeszczotu z materiałem.** W przeciwnym wypadku istnieje niebezpieczeństwo odrzutu, gdy użyte narzędzie zablokuje się w obrabianym przedmiocie.
- j) **Należy trzymać ręce z daleka od zakresu cięcia. Nie wsuwać ich pod obrabiany przedmiot.** Przy kontakcie z brzeszczotem istnieje niebezpieczeństwo zranienia się.
- k) **Po zakończeniu pracy należy wyłączyć elektronarzędzie. Brzeszczot można wyprowadzić z obrabianego materiału wtedy, gdy znajduje się on w bezruchu.** W ten sposób uniknie się odrzutu i można odłożyć bezpiecznie elektronarzędzie.
- l) **Należy odłączyć maszynę od sieci elektrycznej podczas przerwy w pracy, podczas wymiany brzeszczotów, remontu, czyszczenia lub regulacji.**
- m) **Nie wolno używać elektronarzędzia z uszkodzonym przewodem zasilającym. Nie należy dotykać uszkodzonego przewodu; w przypadku uszkodzenia przewodu podczas pracy, należy wyciągnąć wtyczkę z gniazda.** Uszkodzone przewody podwyższają ryzyko porażenia prądem.

UWAGA! Jeżeli przewód zasilający nieodłączalny ulegnie uszkodzeniu, to powinien on być zastąpiony specjalnym przewodem lub zespołem dostępnym u wytwórcy lub w specjalistycznym zakładzie naprawczym.

- n)  **Wyrzynarka jest urządzeniem wyposażonym we wskaźnik laserowy, z laserem klasy 2 wg EN60825-1:2007. Nie wolno wpatrywać się w wiązkę światła laserowego i kierować promienia lasera bezpośrednio w oczy ludziom oraz zwierzętom.** Spojrzenie w promień emitowany przez laser klasy 2 nie jest szkodliwe, jeżeli nie trwa dłużej niż 0,25 s. Odruch zamykania powiek na ogół stanowi wystarczającą ochronę. Użycie przyrządów optycznych, na przykład okularów, lornetek nie powoduje zwiększenia ryzyka uszkodzenia oczu.

BUDOWA I PRZEZNACZENIE WYRZYNARKI:

Wyrzynarka brzeszczotowa jest urządzeniem w drugiej klasie ochronności (podwójna izolacja), napędzana silnikiem jednofazowym i jest wyposażona w elektroniczny system regulacji prędkości działania. Możliwość regulacji prędkości oraz 4-stopniowa regulacja posuwu brzeszczotu pozwala na optymalną skuteczność procesu cięcia.

Wyrzynarka służy do wykonywania cięć i wykrojów w drewnie i materiałach pochodnych, tworzywach sztucznych, metalu, płytach ceramicznych i gumie. Proces cięcia jest realizowany za pomocą odpowiedniego brzeszczotu, dostosowanego do obrabianego materiału. Urządzenie jest przystosowane do wykonywania cięć prostych i ukośnych, pod kątem do 45°. Przeznacza się do robot domowych i przemysłowych o przeciętnej intensywności. Nie nadaje się do długotrwałych robót w ciężkich warunkach.

Nie wolno wykorzystywać narzędzia do wykonywania prac wymagających zastosowania profesjonalnego urządzenia. Każde użycie wyrzynarki niezgodne z przeznaczeniem podanym wyżej jest zabronione i powoduje utratę gwarancji oraz brak odpowiedzialności producenta za powstałe w wyniku tego szkody.

Jakiegokolwiek modyfikacje urządzenia dokonane przez użytkownika zwalniają producenta z odpowiedzialności za uszkodzenia i szkody wyrządzone użytkownikowi i otoczeniu.

Poprawne użytkowanie wyrzynarki dotyczy także konserwacji, składowania, transportu i napraw.

Wyrzynarka może być naprawiana wyłącznie w punktach serwisowych wyznaczonych przez producenta. Urządzenia zasilane z sieci powinny być naprawiane tylko przez osoby uprawnione.

Pomimo zgodnego z przeznaczeniem stosowania nie można całkowicie wyeliminować określonych czynników ryzyka resztkowego. Ze względu na konstrukcję i budowę maszyny mogą wystąpić następujące niebezpieczeństwa:

- Dotknięcie brzeszczotu w trakcie pracy w nieosłoniętym obrębie wyrzynarki;
- Oparzenie przy wymianie brzeszczotu. (Podczas pracy brzeszczot bardzo się rozgrzewa, żeby uniknąć oparzenia przy jego wymianie należy stosować rękawice ochronne);
- Odrzucenie przedmiotu obrabianego lub części przedmiotu obrabianego;
- Pęknięcie/złamanie brzeszczotu;
- Uszkodzenie słuchu w wypadku niestosowania koniecznej ochrony słuchu;
- Szkodliwe dla zdrowia emisje pyłów drzewnych w przypadku wykonywania prac w zamkniętych pomieszczeniach.

KOMPLETACJA:

- Wyrzynarka - 1 szt.
- Prowadnica równoległa - 1 szt.
- Nakładka na stopę - 1 szt.
- Brzeszczoty - 2 szt. (metal, drewno)
- Kluczyk imbusowy - 1 szt.
- Łącznik do podłączenia odkurzacza - 1 szt.
- Szczotki węglowe - 2 szt.
- Kufer transportowy - 1 szt.
- Instrukcja obsługi - 1 szt.
- Karta gwarancyjna - 1 szt.

ELEMENTY URZĄDZENIA:

Numeracja elementów urządzenia odnosi się do przedstawienia graficznego umieszczonego na stronach 2-3 instrukcji obsługi:

- Rys.A:**
1. Stopa regulowana (0° - 45°)
 2. Śruby mocujące prowadnicę
 3. Osłona antykontaktowa
 4. Pokrywa lasera
 5. Przycisk w/wył wskaźnika laserowego
 6. Pokrętko regulacji prędkości skokowej
 7. Rękojeść z nakładką antypoślizgową
 8. Przycisk blokady włącznika
 9. Włącznik
 10. Przewód zasilający
 11. Schowek magnetyczny na brzeszczoty
 12. Łącznik do podłączenia odkurzacza
 13. Dźwignia blokady stopy wyrzynarki
 14. Włącznik/wyłącznik wydmuchu wiórow
 15. Przełącznik ruchu wahadłowego
 16. Nakładka na stopę
 17. Rolka prowadząca
 18. Prowadnica równoległa
- Rys.B**
19. Uchwyt do brzeszczotów
 20. Brzeszczot

- Rys.G** 21. Wkręty mocujące
22. Baterii do zasilania lasera
23. Wskaźnik laserowy

Rys.H 24. Skala kąta ukosu

DANE TECHNICZNE:

Napięcie znamionowe		230V
Częstotliwość znamionowa		50 Hz
Moc znamionowa		800 W
Prędkość obrotowa		800-3100/min
Długość skoku		23 mm
Cięcie pod kątem		0° - 45°
Maksymalna głębokość cięcia	drewno	110 mm
	aluminium	15 mm
	stal	10 mm
Wskaźnik laserowy	klasa lasera	2
	długość fal lasera	650 nm
	moc lasera	≤ 1mW
Klasa sprzętu		II
Długość przewodu zasilającego		3 m
Masa własna		2,65 kg
Poziom ciśnienia akustycznego (LpA), (K=±3dB(A))		88,2 dB(A)
Poziom mocy akustycznej (LwA), (K=±3dB(A))		99,2 dB(A)
Wibracja wg EN 60745 (tolerancja pomiaru K=1,5 m/s ²)	cięcie w drewnie	9,321 m/s ²
	cięcie w metalu	7,898 m/s ²

Podany poziom drgań jest reprezentatywny dla podstawowych zastosowań elektronarzędzia. Jeżeli elektronarzędzie użyte zostanie do innych zastosowań lub z innymi narzędziami roboczymi, a także jeśli nie będzie wystarczająco konserwowane, poziom drgań może odbiegać od podanego. Podane powyżej przyczyny mogą spowodować podwyższenie ekspozycji na drgania podczas całego czasu pracy. Należy wprowadzić dodatkowe środki bezpieczeństwa, mające na celu ochronę operatora przed skutkami ekspozycji na drgania, np.: konserwacja elektronarzędzia i narzędzi roboczych, zabezpieczenie odpowiedniej temperatury rąk, ustalenie kolejności operacji roboczych.

PRZYGOTOWANIE DO PRACY:

1. Upewnić się, że źródło zasilania ma parametry odpowiadające parametrom wyrzynarki podanym na tabliczce znamionowej.
2. Upewnić się, że włącznik wyrzynarki jest w pozycji wyłączenia.
3. W przypadku pracy z przedłużaczem należy upewnić się że parametry przedłużacza, przekroje przewodów, odpowiadają parametrom wyrzynarki. Zaleca się stosowanie jak najkrótszych przedłużaczy. Przedłużacz powinien być całkowicie rozwinięty.
4. W wypadku cięcia już obrabianego drewna uważać na ciała obce, np. gwoździe, wkręty itd.

UWAGA! Należy odłączyć wtyczkę ze źródła zasilania elektronarzędzia przed wykonaniem każdej nastawy, wymiany części lub magazynowaniem.

■ Montaż brzeszczotu

Do wyrzynarki mogą być stosowane wszelkie dostępne w handlu brzeszczoty z końcówką typu T (typ A wg katalogu Profix). Brzeszczoty oferowane przez producentów najczęściej w kompletach, w zależności od przeznaczenia, mogą różnić się wielkością i rodzajem uzębienia tnącego. Na opakowaniu kompletu brzeszczotów lub w załączonej ulotce producent zwykle informuje o przeznaczeniu poszczególnych ostrzy.

Same brzeszczoty mogą być ponadto oznakowane kolorami, różnymi dla różnych materiałów przewidzianych do cięcia.



UWAGA! Przed montażem brzeszczotu i wszystkimi pracami konserwacyjnymi należy upewnić się, że przewód zasilający wyrzynarki jest odłączony od źródła zasilania.

Przy montażu brzeszczotu należy nosić rękawice ochronne. Przy dotknięciu brzeszczotu istnieje niebezpieczeństwo zranienia się.

Specjalny uchwyt (19) zapewnia szybki montaż brzeszczotu.

- Odciągnąć kółko uchwytu (19) w kierunku strzałki (rys. B), tak żeby rowek mocujący był równoległy do podłużnej osi wyrzynarki.
- Włożyć wybrany brzeszczot (20), uzębieniem skierowany na zewnątrz, do oporu w rowek uchwytu (19). Puścić kółko uchwytu, który automatycznie zablokuje brzeszczot (rys. C).

UWAGA! Należy skontrolować, czy brzeszczot jest dobrze osadzony. Luźny brzeszczot może wypaść i zranić obsługującego.

- W celu zwolnienia brzeszczotu, należy postępować odwrotnie.

■ Schowki na brzeszczoty

Po obu stronach wyrzynarki znajdują się zintegrowane schowki magnetyczne na brzeszczoty (11), w których można przechowywać brzeszczoty.

- Otworzyć pokrywę schowka (11), przytrzymując zaczep na górze pokrywy i pociągając go na zewnątrz (rys. D).
- Brzeszczoty umocowane są w schowku za pomocą paska magnetycznego. Aby wyjąć brzeszczot, należy nacisnąć jeden z jego końców i wyjąć go za podniesioną część.
- Zamknąć pokrywę schowka brzeszczotów (11).

UWAGA! Przed rozpoczęciem pracy upewnij się, że schowki są dokładnie zamknięte.

■ Nakładka na stopę

Urządzenie jest wyposażone w plastikową nakładkę na stopę (16), która zapobiega zarysowaniu ciętej powierzchni. Jeśli w czasie pracy nakładka ulegnie uszkodzeniu należy ją wymienić na nową.

OBSŁUGA:

■ Włączanie/wyłączenie

- W celu włączenia elektronarzędzia należy nacisnąć włącznik (9) i trzymać wciśnięty.
- Aby zablokować włącznik w pozycji włączonej należy wcisnąć blokadę włącznika (8). Przycisk blokady do pracy ciągłej jest dostępny z obu stron wyrzynarki i pozwala na łatwą i wygodną obsługę osobom prawolęworęcznym.
- W celu wyłączenia elektronarzędzia, należy włącznik (9) zwolnić, lub gdy jest on unieruchomiony przyciskiem blokady (8), nacisnąć go krótko i następnie zwolnić.

■ Wstępny wybór prędkości skokowej

W przedniej górnej części rękojeści wyrzynarki znajduje się pokrętło regulatora prędkości skokowej (6). Pozwala to na dobranie prędkości cięcia, która zależy od rodzaju obrabianego materiału oraz warunków pracy i może zostać optymalnie dobrana drogą praktycznych prób.

Po dłuższej pracy z niewielką prędkością skokową ochłodzić silnik urządzenia włączając je i pozwalając pracować przez ok. 3 minuty bez obciążenia z maksymalną prędkością skokową.

■ Regulacja ruchu wahadłowego

Na korpusie pilarki, po lewej stronie znajduje się przełącznik regulacji pomocniczego ruchu wahadłowego (15) głowicy wyrzynarki (funkcja

podcinanie). To dodatkowe udogodnienie pozwala na optymalizację przebiegu procesu pracy, przy obróbce określonego materiału.

Ruch wahadłowy może być nastawiany przełącznikiem (15) w czterech zakresach. Przełączanie może następować przy pracującym urządzeniu:

Stopień 0 - Oscylacja wyłączona

Stopień 1 - Mała wielkość oscylacji

Stopień 2 - Średnia wielkość oscylacji

Stopień 3 - Duża wielkość oscylacji

Zaleca się:

- Zakres oscylacji wahadłowej wybierać tym mniejszy, wzgl. w ogóle wyłączyć, im gładziej powinna być krawędź cięcia.
- Podczas obróbki cienkich materiałów jak np. blachy w ogóle wyłączyć ruch wahadłowy.
- W twardych materiałach jak np. stal pracować z niewielkim ruchem wahadłowym.
- W miękkich materiałach i podczas piłowania zgodnie z kierunkiem włókien pracować maksymalnym ruchem wahadłowym.
- Przy stosowaniu brzeszczotu typu nożowego, zaleca się wyłączyć ruch wahadłowy.

Optymalne parametry pracy można dobrać jedynie w drodze praktycznych prób.

Przy cięciu metalu zaleca się stosowanie wzdłuż linii cięcia odpowiedniego czynnika chłodząco-smarującego.

■ Osłona antykontaktowa

Umieszczona na obudowie osłona antykontaktowa (3) zapobiega niezamierzonemu dotykowi brzeszczotu podczas procesu pracy i nie wolno jej usunąć.

■ Wydmuch wirów z linii cięcia

Aby zapewnić widoczność podczas cięcia, opisywana wyrzynarka jest wyposażona w system wydmuchu, który w czasie pracy oczyszcza miejsce cięcia z pyłu i wirów.

- Aby wyłączyć system wydmuchu wirów należy przesunąć przełącznik (14) w pozycję **on** (wł).
- Aby wyłączyć system wydmuchu wirów należy przesunąć przełącznik (14) w pozycję **off** (wył).

■ Odsysanie wirów i opiłków (patrz rys. E)

Do wyrzynarki dołączony jest łącznik (12), który pozwala na podłączenie wyrzynarki do odkurzacza, co umożliwi dokładne odsysanie wirów i opiłków. Odkurzacze musi być zdalny do obrabianego materiału.

UWAGA! Przed podłączeniem odkurzacza należy upewnić się, że przewód zasilający wyrzynarki jest odłączony od źródła zasilania.

- Wsunąć łącznik (12) w dyszę do odprowadzania pyłu i podłączyć do niego wąż odkurzacza.

UWAGA! Podczas odsysania wirów włącznik/wyłącznik wydmuchu wirów (14) powinien być ustawiony w pozycji **off** (wył).

■ Cięcie równoległe (patrz rys. F)

Zwolnić śruby mocujące (2) i wsunąć prowadnicę równoległą (18) przez uchwyty w stopce (1). Nastawić wymaganą szerokość cięcia za pomocą skali na zewnętrznej stronie prowadnicy. Dokręcić śruby mocujące i wykonać cięcie.

■ Wskaźnik laserowy

Wskaźnik laserowy (23) pokazuje linię cięcia. Na powierzchni obrabianego przedmiotu należy zaznaczyć wymagany przebieg cięcia, a

podczas cięcia prowadzić linię laserową wzdłuż linii zaznaczonej.

- W celu włączenia lub wyłączenia wskaźnika laserowego należy przycisnąć włącznik/wyłącznik (5).

Sprawdzić przed rozpoczęciem piłowania, czy linia cięcia jest prawidłowo pokazywana. Wskaźnik laserowy może się przestawić z powodu wibracji podczas intensywnego użytkowania elektronarzędzia.

UWAGA! Po każdym procesie piłowania należy wskaźnik laserowy wyłączyć.

■ Wymiana baterii (patrz rys. G)

Wskaźnik laserowy (23) zasila się za pomocą dwóch baterii alkalicznych typu **AG13** 1,5V. Baterii powinny być wymienione, gdy światło lasera staje się nienależyte i promień lasera jest rozproszony.

- W tym celu należy oddzielić pokrywę lasera (4) od wyrzynarki poprzez odkręcenie wkrętów mocujących (21) i pociągnięcie pokrywy lasera do przodu.
- Wyjąć zużyte baterie (22) i włożyć na ich miejsce nowe baterie typu **AG13**, upewniając się, że bieguny (+) i (-) zostały podłączone poprawnie. Zamontować z powrotem pokrywę lasera (4).

UWAGA! Nie wyrzucać zużytych baterii razem z innymi odpadami. Zużyte baterie lub akumulatory można zostawić tylko w punktach zbierania tych odpadów.

■ Wycinanie

- Za pomocą wiertarki wywiercić 10 mm otwór w wycinanym obszarze.
- Wprowadzić brzeszczot wyrzynarki w otwór i rozpocząć wycinanie.

■ Ustawianie stopy wyrzynarki do cięcia skośnego (patrz rys. H)

UWAGA! Nie wolno używać wyrzynarki ze zdemontowaną lub nie dokręconą stopą.

Stopa wyrzynarki (1) jest ustawiona fabrycznie w położeniu środkowym (0°) i może być ustawiana do cięcia skośnego zarówno w lewo jak i w prawo maksymalnie pod kątem 45°.



UWAGA! Przed zmianą kąta ustawienia stopy wyrzynarki należy upewnić się, że przewód zasilający wyrzynarki jest odłączony od źródła zasilania.

1. Pociągnąć dźwignię blokady stopy wyrzynarki (13) na zewnątrz, aby odblokować stopę.
2. Pociągnąć stopę wyrzynarki (1) do przodu.
3. Ustawić potrzebny kąt 22,5° lub 45°, posługując się skalą (24).
4. Popchnąć stopę wyrzynarki (1) do tyłu.
5. Przeszawić dźwignię blokady stopy wyrzynarki (13) do tyłu, aby unieruchomić stopę wyrzynarki (1).



UWAGA! Należy skontrolować, czy stopa wyrzynarki jest dobrze unieruchomiona. Ruchoma, poluzowana stopa może stać się przyczyną wypadku podczas pracy.

Aby z powrotem ustawić stopę wyrzynarki (1) do cięcia prostego, opisaną powyżej procedurę należy powtórzyć, ustawiając tym razem stopę pod kątem 0°.

WSKAZÓWKI DOTYCZĄCE PRACY:

Podstawowe zasady prawidłowego posługiwania się wyrzynarką:

- należy przecinać materiał stosując umiarkowany nacisk, nie dopuszczając do nadmiernego obciążenia wyrzynarki;
- nadmierny docisk wyrzynarki może spowodować zwolnienie lub przerwania ruchu posuwisto-zwrotnego, co prowadzi do zwolnienia lub przerwania procesu cięcia;

- przy cięciu, stopa pilarki całą powierzchnią powinna przylegać do materiału obrabianego;
- wycinanie otworu kształtowego w twardych materiałach, należy poprzedzić wywierceniem otworu, umożliwiającego wsunięcie brzeszczotu. W przeciwnym wypadku istnieje niebezpieczeństwo odrzutu i złamania brzeszczotu;
- przy cięciu linii tworzących ostry kąt lub połączonych łukiem o małym promieniu, należy stosować najlepiej wąskie brzeszczoty i wyłączyć wspomagający ruch wahliwy głowicy;
- stosowanie przewodnicy ułatwia utrzymanie linii cięcia.

PRZECHOWYWANIE I KONSERWACJA:

Maszynę należy przechowywać w miejscu niedostępnym dla dzieci, utrzymywać w stanie czystości, chronić przed wilgocią i zapyleniem. Warunki przechowywania powinny wykluczać możliwość uszkodzeń mechanicznych oraz wpływ czynników atmosferycznych.

Zasadniczo wyrzynarka nie wymaga specjalnej obsługi i konserwacji. Jednak okresowe naolejenie rolki prowadzącej (17) zapewni jej dłuższą trwałość.

Należy regularnie kontrolować stan wkrętów mocujących korpus i stopę wyrzynarki. W razie potrzeby dokręcić.

Po pracy zaleca się przedmuchiwanie sprężonym powietrzem otworów wentylacyjnych i uchwytu brzeszczotu. Zapobiegnie to uszkodzeniu łożysk, usunie pył blokujący dopływ powietrza chłodzącego silnik.

Korpus należy czyścić przy pomocy czystej, wilgotnej ściereczki z niewielką ilością mydła, wycierając następnie do sucha.

Nie używać żadnych środków czyszczących ani rozpuszczalników – mogą one uszkodzić części urządzenia wykonane z tworzywa sztucznego.

Należy uważać, aby do wnętrza urządzenia nie dostała się woda.

Widoczne zanieczyszczenia w otworze wyjściowym wiązki laserowej ostrożnie usunąć patyczkiem z wacikiem, wykorzystując płyny do czyszczenia szkła.

TYPOWE USTERKI I ICH USUWANIE:

Elektronarzędzie nie włącza się lub przerywa pracę:

- sprawdzić czy przewód zasilający (10) jest prawidłowo podłączony oraz dopływ prądu do gniazda zasilającego;
- sprawdzić stan szczotek węglowych i w razie potrzeby wymienić.

UWAGA! Wymianę szczotek węglowych może wykonać tylko uprawniony elektryk.

- jeżeli elektronarzędzie nadal nie działa, pomimo że jest zasilane napięciem i ma nieużyte szczotki węglowe, należy je wysłać do serwisu naprawczego na adres podany w karcie gwarancyjnej.

TRANSPORT:

Wyrzynarkę transportować i składować w kufrze transportowym, chroniącym przed wilgocią, wnikaniem pyłu i drobnych obiektów,

zwłaszcza należy zabezpieczyć otwory wentylacyjne. Drobne elementy, które dostaną się wewnątrz obudowy mogą uszkodzić silnik.

PRODUCENT:

PROFIF Sp z o.o.,
ul. Marywiłska 34,
03-228 Warszawa

Niniejsze urządzenie jest zgodne z normami krajowymi i europejskimi, oraz z wytycznymi bezpieczeństwa.

UWAGA! Wszelkie naprawy muszą być przeprowadzane przez wykwalifikowany personel, używając oryginalnych części zamiennych.

OCHRONA ŚRODOWISKA:



UWAGA! Przedstawiony symbol oznacza zakaz umieszczenia zużytego sprzętu łącznie z innymi odpadami (z zagrożeniem karą grzywny). Składniki niebezpieczne znajdujące się w sprzęcie elektrycznym i elektronicznym wpływają negatywnie na środowisko naturalne i zdrowie ludzi.

Gospodarstwo domowe powinno przyczyniać się do odzysku i ponownego użycia (recyklingu) zużytego sprzętu. W Polsce i w Europie utworzony jest lub już istnieje system zbierania zużytego sprzętu, w ramach którego wszystkie punkty sprzedaży ww. sprzętu mają obowiązek przyjmować zużyty sprzęt. Ponadto istnieją punkty zbiórki ww. sprzętu.

PIKTOGRAMY:

Objaśnienia ikonek znajdujących się na tabliczce znamionowej i naklejkach informacyjnych.



PROMIENIOWANIE LASEROWE
NIE WPATRYWAĆ SIĘ W WIĄZKĘ
URZĄDZENIE LASEROWE KLASY 2
λ: 650 nm P_e 1 mW
EN 60825-1:2007



«Przed uruchomieniem należy przeczytać instrukcję obsługi»



«Zawsze stosować okulary ochronne»



«Stosować środki ochrony słuchu»



«Stosować maskę przeciwpyłową»



Polityka firmy PROFIF jest polityką stałego udoskonalania swoich produktów i dlatego firma rezerwuje sobie prawo zmiany specyfikacji wyrobu bez uprzedniego zawiadomienia. Obrazki, podane w instrukcji obsługi, są przykładowe i mogą się nieznacznie różnić od rzeczywistego wyglądu zakupionego urządzenia.

Niniejsza instrukcja jest chroniona prawem autorskim. Kopiowanie/ powielanie jej bez pisemnej zgody firmy Profif Sp. z o.o. jest zabronione.



ПЕРЕД НАЧАЛОМ ЭКСПЛУАТАЦИИ НЕОБХОДИМО ОЗНАКОМИТЬСЯ С НАСТОЯЩЕЙ ИНСТРУКЦИЕЙ.

Хранить инструкцию для возможного применения в будущем.



ПРЕДУПРЕЖДЕНИЕ! Необходимо ознакомиться со всеми предупреждениями, касающимися безопасности при эксплуатации, обозначенными символом ⚠ и всеми указаниями по технике безопасности.

Несоблюдение указанных ниже предупреждений, касающихся безопасности и указаний по технике безопасности может привести к поражению электрическим током, пожару и/или серьёзным травмам тела.

Необходимо хранить все предупреждения и указания, касающиеся техники безопасности, чтобы можно было воспользоваться ними в будущем.

В указанных ниже предупреждениях слово „электроинструмент“ означает электроинструмент с питанием от сети (посредством электрического кабеля) или электроинструмент, питаемый от аккумулятора (беспроводное питание).



ПРЕДУПРЕЖДЕНИЕ! Общие предупреждения, касающиеся безопасности при эксплуатации инструмента.

Техника безопасности на рабочем месте:

- Необходимо поддерживать порядок и хорошее освещение на рабочем месте. Беспорядок и плохое освещение являются причиной несчастных случаев.
- На следует использовать электроинструмент во взрывоопасной среде, образующейся легко воспламеняющимися жидкостями, газами или пылью. Электроинструмент создаёт искры, которые могут привести к воспламенению пыли или испарений.
- Не допускать детей и наблюдателей в места, в которых применяются электроинструменты. Отвлечение внимания может привести к потере контроля над электроинструментом.



ПРЕДУПРЕЖДЕНИЕ! Общие предупреждения, касающиеся безопасности при эксплуатации инструмента.

Электробезопасность:

- Штепсельные вилки должны соответствовать сетевым розеткам. Ни в коем случае не переделывать каким-либо образом штепсельную вилку. Не применять каких-либо удлинителей электропитания в случае использования электроинструментов, имеющих провод электропитания с защитным заземляющим проводником. Отсутствие переделок штепсельных розеток и сетевых розеток снижает опасность поражения электрическим током.
- Необходимо избегать прикосновения к поверхности заземлённых или закороченных на массу элементов,

таких как трубы, нагреватели, радиаторы центрального отопления и холодильные агрегаты. В случае прикосновения заземлённого или закороченного на массу элемента увеличивается опасность поражения электрическим током.

- Не подвергать электроинструменты воздействию дождя или влажных условий. В случае попадания в электроинструмент воды увеличивается опасность поражения электрическим током.
- Не создавать опасности повреждения кабеля электропитания. Ни в коем случае не использовать кабеля электропитания, чтобы переносить или тянуть электроинструмент или для извлечения штепсельной вилки из розетки. Кабель электропитания должен находиться вдали от источников тепла, масел, острых краёв и движущихся частей. Повреждённые или запутанные кабели электропитания увеличивают опасность поражения электрическим током.
- Если электроинструмент эксплуатируется на свежем воздухе, следует использовать удлинители кабеля электропитания, предназначенные для работы вне помещений. Использование удлинителя кабеля электропитания, предназначенного для работы вне помещений, снижает опасность поражения электрическим током.
- Если эксплуатация электроинструмента во влажной среде неизбежна, в качестве защиты от напряжения питания необходимо использовать защитное устройство по разностному току (RCD). Применение защитного устройства по разностному току снижает опасность поражения электрическим током.



ПРЕДУПРЕЖДЕНИЕ! Общие предупреждения, касающиеся безопасности при эксплуатации инструмента.

Индивидуальная безопасность:

- Настоящее оборудование не предназначено для эксплуатации лицами (включая детей) с физическими, сенсорными или умственными ограничениями или лицами, не имеющими опыта или не знающими оборудования, разве что это осуществляется под надзором или в соответствии с инструкцией по эксплуатации оборудования, переданной лицами, отвечающими за их безопасность.
- Необходимо быть предусмотрительным, наблюдать за работой и руководствоваться здравым смыслом во время эксплуатации электроинструмента. Не следует эксплуатировать электроинструмент в состоянии переутомления или находясь под действием наркотиков, алкоголя или лекарств. Мгновенное невнимания во время эксплуатации электроинструмента может быть причиной травмы пользователя.
- Необходимо применять средства личной защиты.

Необходимо обязательно работать с защитными очками. Применение в соответствующих условиях средств личной защиты, таких как противопыльный респиратор, противоскользкая обувь, каска или средства защиты слуха снизит риск получения травмы.

- г) **Необходимо избегать случайного запуска в работу.** Прежде чем вставить вилку кабеля электропитания в сетевую розетку или подключить аккумулятор, а также перед тем, как поднять или перенести электроинструмент, необходимо убедиться, что выключатель электроинструмента находится в положении «выключено». Перенос электроинструмента с пальцем на выключателе или подключение электроинструмента к сети питания при выключенном выключателе может привести к несчастному случаю.
- д) **Прежде, чем запустить электроинструмент в работу, необходимо устранить все ключи.** Ключ, оставшийся во вращающейся части электроинструмента, может привести к травме пользователя.
- е) **Не следует слишком сильно наклоняться.** Необходимо всё время сохранять устойчивость и равновесие. Это позволяет лучше контролировать электроинструмент в неожиданных ситуациях.
- ж) **Необходимо иметь соответствующую одежду. Не работать в свободной одежде или с бижутерией.** Необходимо, чтобы волосы пользователя, его одежда и рукавицы находились вдали от движущихся элементов. Свободная одежда, бижутерия или длинные волосы могут быть зацеплены движущимися частями.
- з) **Если оборудование приспособлено для присоединения внешнего пылеотвода (пылеулавливающего устройства) и поглотителя пыли, необходимо убедиться, что они присоединены и правильно применяются.** Применение поглотителей пыли может уменьшить опасность, связанную запыленностью.



ПРЕДУПРЕЖДЕНИЕ! Общие предупреждения, касающиеся безопасности при эксплуатации инструмента.

Эксплуатация и уход за электроинструментом:

- а) **Не допускать перегрузки электроинструмента.** Применять электроинструмент с мощностью, соответствующей выполняемой работе. Надлежащий электроинструмент позволит лучше и безопаснее работать при нагрузке, на которую он рассчитан.
- б) **Не следует применять электроинструмент, если его выключатель не включается и не выключается.** Каждый электроинструмент, который не может включаться или выключаться выключателем, представляет опасность и должен быть передан на ремонт.
- в) **Необходимо отсоединить штепсельную вилку от источника питания электроинструмента и/или отсоединить аккумулятор прежде чем выполнять какую-либо установку, замену части или складирование устройства.** Такие предупредительные меры безопасности снижают риск случайного запуска электроинструмента в

работу.

- г) **Неиспользуемый электроинструмент следует хранить в недоступном для детей месте и не разрешать тем, кто незнаком с электроинструментом или настоящей инструкцией, пользоваться электроинструментом.** Электроинструмент опасен в руках необученных пользователей.
 - д) **Следует выполнять технический уход за электроинструментом.** Необходимо проверить соосность или отсутствие заедания (заземления) подвижных элементов, трещин частей, а также все другие факторы, могущие влиять на работу электроинструмента. В случае обнаружения неисправности, необходимо выполнить ремонт электроинструмента. Причиной многих несчастных случаев является непрофессиональный способ выполнения технического ухода.
 - е) **Режущий инструмент должен быть острым и чистым.** Соответствующее содержание и уход за острыми кромками режущего инструмента снижает вероятность заземления и упрощает обслуживание.
 - ж) **Электроинструмент, оснащение, рабочие инструменты и т. п. необходимо применять в соответствии с настоящей инструкцией, учитывая рабочие условия и вид выполняемой работы.** Применение электроинструмента не по назначению может привести к опасным ситуациям.
 - з) **При низкой температуре или после длительного перерыва в эксплуатации рекомендуется включение электроинструмента без нагрузки на несколько минут с целью распределения смазки в механизме привода.**
 - и) **Для чистки электроинструмента применять мягкую, влажную (не мокрую) тряпку и мыло. Не применять бензина, растворителей и других средств, могущих повредить устройство.**
 - й) **Электроинструмент следует хранить/транспортировать, убедившись, что все его подвижные элементы заблокированы и защищены от разблокировки при помощи оригинальных элементов, предназначенных для этой цели.**
 - к) **Электроинструмент должен храниться в сухом месте и быть защищенным от пыли и проникания влаги.**
 - л) **Транспортировку электроинструмента необходимо выполнять в оригинальной упаковке, защищающей от механических повреждений.**
- ПРЕДУПРЕЖДЕНИЕ!** Общие предупреждения, касающиеся безопасности при эксплуатации инструмента.



Ремонт:

- а) **Ремонт электроинструмента необходимо поручать исключительно квалифицированному лицу, использующему только оригинальные запасные части.** Это гарантирует безопасность дальнейшей эксплуатации электроинструмента.



ПРЕДУПРЕЖДЕНИЕ!

Во время работы с электроинструментом следует обязательно соблюдать основные меры безопасности при работе, чтобы избежать взрыва, пожара, поражения электрическим током, или механической травмы.



ПРЕДУПРЕЖДЕНИЕ! ЭЛЕКТРИЧЕСКИЙ ЛОБЗИК, предупреждения по технике безопасности

Индивидуальная безопасность:

- а) При выполнении работ, при которых рабочий инструмент может попасть на скрытую электропроводку или на собственный кабель электропитания, электроинструмент следует держать за изолированную поверхность рукоятки. В результате прикосновения к проводу сети питания (кабелю электропитания), находящемуся под напряжением, может произойти попадание напряжения на металлические части электроинструмента, а это несёт опасность поражения электрическим током.
- б) Следует применять соответствующие приборы для обнаружения скрытой электропроводки сети питания или попросить о помощи городские коммунальные службы. Контакт с проводами, находящимися под напряжением, может привести к пожару или поражению электрическим током. Повреждение газопроводной трубы может привести к взрыву. Проникновение в водопроводную трубу ведёт к материальным потерям.
- в) Не обрабатывать материалы, содержащие асбест. Асбест является канцерогенным материалом.
- г) Необходимо поддерживать чистоту в месте выполнения работы. Смеси материалов представляют особую опасность. Пыль лёгких металлов может воспламениться или взорваться.
- д) Необходимо закрепить обрабатываемый предмет. Убедиться, все ли крепящие зажимы зажаты, и проверить, нет ли слишком большого зазора. Закрепление обрабатываемого предмета в крепящем устройстве или тисках более безопасно, чем удерживание его рукой.
- е) Необходимо обязательно работать с защитными очками и средствами защиты слуха. При необходимости применять соответствующие средства индивидуальной защиты:
 - защитную маску (респиратор) с целью снижения опасности вдыхания вредной пыли,
 - защитные рукавицы, если пыльное полотно движется и выполняется работа с шероховатым материалом.
- ж) Необходимо следить, чтобы регулируемая опорная подошва (1) была надёжно закреплена. Заблокированное пыльное полотно может сломаться или произойдёт отброс.
- з) Необходимо применять только неповреждённые пыльные полотна, находящиеся в идеальном состоянии. Искривлённые или тупые пыльные полотна могут сломаться или привести к появлению возвратной силы.
- и) Электроинструмент следует запустить в работу перед соприкосновением пыльного полотна с материалом. В противном случае имеется опасность отброса, поскольку наступит блокировка используемого инструмента в обрабатываемом предмете.

й) Держать руки вдали от области резки. Не вкладывать их под обрабатываемый предмет. При соприкосновении с пыльным полотном имеется опасность травмы.

к) По завершении работы электроинструмент следует выключить. Пыльное полотно можно извлечь из обрабатываемого материала после его остановки. Тем самым можно избежать отброса и безопасно отложить электроинструмент в сторону.

л) Необходимо отключать электроинструмент от сети электропитания во время перерыва в работе, во время смены пыльных полотен, ремонта, чистки или регулировки.

м) Запрещено эксплуатировать электроинструмент с повреждённым кабелем электропитания. Не прикасаться к повреждённому кабелю электропитания. В случае повреждения кабеля электропитания во время работы, извлечь штепсельную вилку из розетки. Повреждённые провода увеличивают опасность поражения электрическим током.

ВНИМАНИЕ! Если неотсоединяемый кабель электропитания будет повреждён, необходимо заменить его специальным кабелем или блоком на предприятии-изготовителе или специализированном ремонтном предприятии.

н) Электролобзик является устройством, оснащённым лазерным указателем, с лазером класса «2» согласно стандарту EN 60825-1:2007.

Запрещено смотреть в луч лазера и направлять луч лазера непосредственно в глаза людей и животных.

Кратковременное попадание луча лазера класса «2» в глаз является безвредным, если время воздействия не превысит 0,25 сек. Непроизвольное закрывание глазных век в общем случае является достаточной защитой. Использование оптических устройств, напр. очков, биноклей и т.п. не увеличивает опасность травмы глаз.

КОНСТРУКЦИЯ И НАЗНАЧЕНИЕ ЭЛЕКТРИЧЕСКОГО ЛОБЗИКА:

Электрический лобзик имеет второй класс электрической защиты (двойная изоляция), приводится в движение однофазным двигателем и имеет электронную систему регулировки скорости работы. Возможность регулировки скорости (частоты) и 4-ступенчатая регулировка хода пыльного полотна позволяет выполнять резку с оптимальной эффективностью.

Электролобзик предназначен для распиливания и вырезания (выполнения вырезов) древесины и производных материалов, пластмассы, металла, керамической плитки и резины. Процесс резки осуществляется при помощи пыльного полотна, соответствующего обрабатываемому материалу.

Электроинструмент приспособлен для выполнения прямого пропила и пропила под углом 45°. Предназначен для работ в быту и не пригоден для длительных работ в сложных условиях.

Запрещено применять электроинструмент для работ, требующих применения профессионального устройства. Каждое применение электролобзика, несоответствующее указанному выше назначению, запрещено и ведёт к потере гарантии и отсутствию ответственности производителя за возникший в результате этого ущерб.

Какие-либо модификации устройства, выполненные пользователем, освобождают производителя от ответственности за повреждения и ущерб, причинённый пользователю и окружающей среде.

Правильная эксплуатация электролобзика касается также техобслуживания, хранения, транспортировки и ремонта.

Ремонт электролобзика может выполняться только в определённых производителем сервисных пунктах. Устройства с питанием от сети должны ремонтироваться исключительно лицами, имеющими соответствующий допуск.

Даже применяя устройство по назначению, нельзя полностью исключить определённых факторов остаточного риска. С учётом конструкции электроинструмента может иметь место следующая опасность:

- Прикосновение к пыльному полотну в незащищённой области электролобзика;
- Ожоги при смене пыльного полотна. (Пыльное полотно сильно нагревается во время работы и чтобы избежать ожогов при его смене, необходимо применять защитные рукавицы);
- Отбрасывание обрабатываемого предмета или его части;
- Трескание / поломка пыльного полотна;
- Ухудшение слуха в результате неприменения необходимых средств защиты слуха;
- Вредное для здоровья выделение древесной пыли в случае выполнения работ в закрытом помещении.

СОСТАВ КОМПЛЕКТА:

- Электрический лобзик - 1 шт.
- Параллельная направляющая - 1 шт.
- Накладка на опорную подошву - 1 шт.
- Пыльные полотна - 2 шт. (металл, древесина)
- Ключ шестигранный - 1 шт.
- Патрубок для присоединения пылесоса - 1 шт.
- Угльные щётки - 2 шт.
- Кейс для транспортировки - 1 шт.
- Инструкция по обслуживанию - 1 шт.
- Гарантийная карта - 1 шт.

ЭЛЕМЕНТЫ УСТРОЙСТВА:

Нумерация элементов устройства относится к изображениям, находящимся на страницах 2-3 инструкции по эксплуатации:

- Рис. А:**
1. Регулируемая опорная подошва (0° - 45°)
 2. Винты крепления направляющей
 3. Защита от прикосновения
 4. Крышка лазера
 5. Кнопка «вкл./выкл.» лазерного указателя
 6. Регулятор частоты хода
 7. Рукоятка с противоскользящей накладкой
 8. Кнопка блокировки выключателя
 9. Выключатель
 10. Кабель электропитания
 11. Магнитный контейнер для пыльных полотен
 12. Патрубок для присоединения пылесоса
 13. Рычаг фиксации опорной подошвы электролобзика
 14. Выключатель/выключатель сдвигания опилок
 15. Переключатель маятникового движения
 16. Накладка на опорную подошву
 17. Ведущий ролик

18. Параллельная направляющая

Рис. В: 19. Держатель пыльного полотна

20. Пыльное полотно

Рис. Г: 21. Винты крепления

22. Батарея для питания лазера

23. Шалерный указатель

Рис. Н: 24. Шкала угла косого пропила

ТЕХНИЧЕСКИЕ ПАРАМЕТРЫ:

Напряжение питания номинальное		230 В
Частота питания номинальная		50 Гц
Мощность номинальная		800 Вт
Частота хода		800-3100/мин
Длина хода		23 мм
Резка под углом		0° - 45°
Макс. глубина пропила:	древесина	110 мм
	алюминий	15 мм
	сталь	10 мм
Лазерный указатель	класс лазера	2
	длина волны лазерного излучения	650 нм
	мощность лазера	≤1 мВт
Класс оборудования		II
Длина кабеля электропитания		3 м
Собственный вес		2,65 кг
Уровень звукового давления (LpA), (K=±3дБ(A))		88,2 дБ(A)
Уровень звуковой мощности (LwA), (K=±3дБ(A))		99,2 дБ(A)
Уровень вибрации согласно EN 60745	резка древесины	9,321 м/с ²
	резка металла	7,898 м/с ²
(коэффициент погрешности измерения K=1,5 м/с ²)		

Указанный уровень вибрации соответствует основным применениям электроинструмента. Если электроинструмент будет использован для других применений или с другими рабочими инструментами, а также, если не будет выполнен соответствующий технический уход, уровень вибрации может отличаться от указанного. Указанные выше причины могут привести к усилению воздействия вибраций в течение всего времени работы.

Необходимо применять дополнительные меры безопасности с целью защиты оператора от воздействия вибрации, а именно: технический уход за электроинструментом и рабочими инструментами, обеспечение соответствующей температуры рук, определение очередности рабочих операций.

ПОДГОТОВКА К РАБОТЕ:

1. Убедиться, что источник питания имеет параметры, соответствующие параметрам электрического лобзика, указанным на щитке машины.
2. Убедиться, что выключатель электрического лобзика находится в положении «выключено».
3. При работе с удлинителем шнура электропитания необходимо убедиться, что параметры удлинителя, сечения проводов соответствуют параметрам электрического лобзика. Рекомендуется применять максимально короткие удлинители электропитания. Удлинитель должен быть полностью размотан.

4. При распиловке обрабатывавшейся раньше древесины, необходимо следить за возможным наличием посторонних элементов, например, гвоздей, шурупов и т. д.

ВНИМАНИЕ! Необходимо отсоединить штепсельную вилку от источника питания электроинструмента перед выполнением каждой регулировки, замены частей или складированием устройства.

■ Установка пильного полотна

Для электрического лобзика могут применяться все имеющиеся в продаже пильные полотна с хвостовиком типа **T** (тип **A** по каталогу Profix).

Пильные полотна предлагаются производителями как правило в комплектах, в зависимости от назначения и могут отличаться размером и видом режущих зубьев. На упаковке комплекта пильных полотен или в прилагаемой информационной листовке производитель обычно указывает назначение отдельных пил. Кроме того, сами пильные полотна могут быть обозначены разными цветами, соответствующими разным материалам, для резки которых они предназначены.



ВНИМАНИЕ! Прежде чем приступить к установке пильного полотна, каким-либо работам по техническому уходу, необходимо убедиться, что кабель электропитания электролобзика отсоединён от источника питания.

При установке пильного полотна следует работать в защитных рукавицах. При соприкосновении с пильным полотном имеется опасность ранения.

Специальный держатель (**19**) обеспечивает быструю установку пильного полотна.

- Оттянуть кольцо держателя (**19**) в направлении стрелки (см. рис. **B**) так, чтобы паз крепления был расположен параллельно продольной оси электролобзика.
- Вставить требуемое пильное полотно (**20**) до упора в паз держателя (**19**), зубья полотна при этом должны быть направлены наружу. Отпустить кольцо держателя, который автоматически зафиксирует пильное полотно (см. рис. **C**).

ВНИМАНИЕ! Необходимо убедиться, что пильное полотно хорошо посажено и зафиксировано. Незафиксированное пильное полотно может выпасть и поранить оператора электролобзика.

- Чтобы освободить пильное полотно, необходимо действовать в обратной последовательности.

■ Контейнеры для пильных полотен

С обеих сторон электролобзика имеются встроенные магнитные контейнеры для пильных полотен (**11**), в которых можно хранить пильные полотна.

- Открыть крышку контейнера (**11**), придерживая зацепку, имеющуюся сверху крышки, потянув её наружу (рис. **D**).
- Пильные полотна фиксируются в контейнере при помощи магнитной полосы. Чтобы извлечь пильное полотно, следует нажать на один из его концов и извлечь, удерживая его выступающую часть.
- Закрыть крышку контейнера для пильных полотен (**11**).

ВНИМАНИЕ! Прежде, чем начать работу следует убедиться, что контейнеры хорошо закрыты.

■ Накладка на опорную подошву

Устройство оснащено пластмассовой накладкой на опорную подошву (**16**), которая предохраняет разрезаемую поверхность от

царапин. Если при работе накладка повредится, необходимо заменить её новой.

ОБСЛУЖИВАНИЕ:

■ Включение/выключение

- Для включения электроинструмента необходимо нажать включатель (**9**) и удерживать в нажатом состоянии.
- Чтобы зафиксировать включатель в положении «включено» следует нажать блокировку включателя (**8**). Доступ к кнопке блокировки включателя для непрерывной работы имеется с обеих сторон электролобзика, что позволяет удобно пользоваться инструментом как правой, так и левой рукой.
- Для выключения электроинструмента, следует отпустить включатель (**9**), либо, если он зафиксирован кнопкой блокировки (**8**), кратковременно нажать на него, а затем отпустить.

■ Предварительный выбор частоты ходов

В передней верхней части рукоятки электролобзика имеется колёсико регулятора частоты ходов (**6**). Данный регулятор позволяет подобрать скорость резки, которая зависит от вида обрабатываемого материала и условий работы и может быть подобрана оптимально путём практических проб.

При длительной работе в режиме малой частоты ходов, необходимо охладить электродвигатель электроинструмента. Для этого следует включить его и позволить поработать ок. 3 минут без нагрузки на максимальной частоте ходов.

■ Регулировка маятникового хода

На корпусе электролобзика, с левой стороны имеется переключатель регулировки вспомогательного маятникового хода (**15**) головки электролобзика (функция подрезание). Эта дополнительная возможность позволяет оптимизировать работу при обработке определённого материала.

Маятниковый ход может устанавливаться переключателем (**15**) в четырёх диапазонах. Переключение можно осуществлять при работающем электроинструменте:

Ступень **0** - Колебания выключены

Ступень **1** - Малая амплитуда колебаний

Ступень **2** - Средняя амплитуда колебаний

Ступень **3** - Большая амплитуда колебаний

Рекомендуется:

- Чем более аккуратным и гладким должен быть край реза, тем меньшую амплитуду маятниковых колебаний следует выбирать, или вообще выключить маятниковый ход.
- При обработке тонких материалов, напр. жести, маятниковый ход следует выключить.
- В случае твёрдых материалов, напр. стали, следует работать с небольшой амплитудой маятникового хода.
- В случае мягких материалов и резки вдоль волокон следует работать с максимальной амплитудой маятникового хода.
- При применении пильного полотна ножевого типа рекомендуется выключить маятниковый ход.

Оптимальные параметры работы можно подобрать только путём практических проб.

Для резки металла рекомендуется вдоль линии резки применять соответствующее охлаждающе-смазывающее средство.

■ Защита от прикосновения

Размещённая на корпусе защита от прикосновения (3) предотвращает непреднамеренное прикосновение пыльного полотна во время работы. Запрещено её удалять.

■ Сдувание опилок с линии реза

Для обеспечения четкой видимости при резке, данный электролобзик оснащён системой сдува опилок с линии реза, что улучшает качество и скорость выполняемой работы.

- Чтобы включить систему сдува опилок, необходимо передвинуть переключатель (14) в положение **on** (вкл.).
- Чтобы выключить систему сдува опилок, необходимо передвинуть переключатель (14) в положение **off** (выкл.).

■ Отсос стружки и опилок (см. рис. Е)

Электролобзик оснащён патрубком (12), позволяющим присоединить пылесос для тщательного отсоса стружки и опилок. Пылесос должен быть приспособлен для обрабатываемого материала.

ВНИМАНИЕ! Перед присоединением пылесоса необходимо убедиться, что кабель электропитания электролобзика отсоединён от источника питания.

- Вставить соединитель (12) в сопло отвода пыли и присоединить к нему шланг пылесоса.

ВНИМАНИЕ: Во время отсоса опилок включатель/выключатель выдувания опилок (14) должен быть установлен в положение **off** (выкл.).

■ Параллельная резка (см. рис. F)

Ослабить крепящие винты (2) и вдвинуть параллельную направляющую (18) сквозь держатели на опорной подошве (1). Установить требуемую ширину пропила при помощи измерительной шкалы на наружной стороне направляющей. Затянуть крепящие винты и выполнить пропил.

■ Лазерный указатель

Лазерный указатель (23) указывает линию резы. Необходимо обозначить на поверхности обрабатываемого предмета требуемый ход резы, а во время резы вести лазерную линию вдоль обозначенной линии.

- Для включения или выключения лазерного указателя необходимо нажать включатель/выключатель (5).

Прежде, чем начать резку, следует проверить, правильно ли показывается линия резы. Установка лазерного указателя может измениться в результате вибрации при интенсивной эксплуатации электроинструмента.

ВНИМАНИЕ: После завершения процесса резы лазерный указатель необходимо выключить.

■ Замена батареек (см. рис. G)

Питание лазерного указателя (23) осуществляется при помощи двух щёлочных батареек типа **AG13** 1,5 В. Батарейки необходимо заменить, если свет лазера становится слабым, а лазерный луч рассеивается.

- Для этого необходимо отсоединить крышку лазера (4) от электролобзика, отвинтив крепящие винты (21) и потянув крышку лазера вперёд.
- Извлекая разряженные батарейки (22) и вставить вместо них новые батарейки типа **AG13**, при этом необходимо следить, чтобы правильно присоединить полюса (+) и (-). Вставить

обратно крышку лазера (4).

ВНИМАНИЕ! Не выбрасывать использованные батарейки вместе с другими отходами. Использованные батарейки можно оставить только в пунктах сбора таких отходов.

■ Вырезание

- При помощи дрели высверлить отверстие диаметром 10 мм в вырезаемой области.
- Ввести пыльное полотно в отверстие и начать вырезание.

■ Установка опорной подошвы электролобзика для выполнения косых резов (см. рис. H)

ВНИМАНИЕ! Запрещено пользоваться электролобзиком со снятой или не полностью привинченной опорной подошвой.

Опорная подошва (1) имеет заводскую установку в среднем положении (0°) и может быть установлена для выполнения косых резов, как влево, так и вправо под углом не более 45°.



ВНИМАНИЕ! Прежде чем изменить угол установки опорной подошвы электролобзика, необходимо убедиться, что кабель электропитания электролобзика отсоединён от источника питания.

1. Потянуть рычаг фиксации опорной подошвы электролобзика (13) наружу, чтобы снять фиксацию опорной подошвы.
2. Потянуть опорную подошву электролобзика (1) вперёд.
3. Установить требуемый угол 22,5° или 45°, пользуясь шкалой (24).
4. Протолкнуть опорную подошву электролобзика (1) назад.
5. Передвинуть рычаг фиксации опорной подошвы электролобзика (13) назад, чтобы зафиксировать опорную подошву (1).



ВНИМАНИЕ! Следует проконтролировать, чтобы опорная подошва электролобзика была надёжно закреплена. Ослабленная, подвижная подошва может привести к несчастному случаю во время работы.

Чтобы опять установить опорную подошву электролобзика (1) для прямого пропила, необходимо повторить описанную выше процедуру, установив на этот раз опорную подошву до углом 0°.

УКАЗАНИЯ КАСАЮЩИЕСЯ РАБОТЫ:

Основные принципы правильного пользования электрическим лобзиком:

- разрезать материал следует с умеренным нажимом, не допуская чрезмерной перегрузки электролобзика;
- чрезмерный прижим электролобзика может привести к замедлению и прекращению возвратно-поступательного движения, что ведёт к замедлению или прекращению процесса резы;
- во время резы опорная подошва должна прилегать всей своей поверхностью к обрабатываемому материалу;
- перед вырезанием в материале фигурного отверстия необходимо предварительно высверлить отверстие, позволяющее вставить пыльное полотно;
- при резке вдоль линий, образующих острый угол или соединённых дугой с малым радиусом лучше всего использовать узкие пыльные полотна;
- для поддержания линии резы применяется направляющая.

ХРАНЕНИЕ И ТЕХНИЧЕСКИЙ УХОД:

Электроинструмент следует хранить в месте, недоступном для

детей, содержать в чистоте, защищать от влаги и попадания пыли. Условия хранения должны исключать возможность механических повреждений и влияния атмосферных условий.

В принципе электрический лобзик не требует специального технического ухода и обслуживания. Однако периодическая смазка ведущего ролика (17), направляющего пыльное полотно, увеличит его срок службы.

Необходимо регулярно контролировать состояние винтов, крепящих корпус и опорную подошву электролобзика.

После окончания работы рекомендуется выполнить продувку сжатым воздухом вентиляционных отверстий и держателя пыльного полотна. Это предотвратит повреждение подшипников и устранил пыль, блокирующую приток воздуха, охлаждающего двигатель.

Корпус следует чистить чистой влажной тряпкой с небольшим количеством мыла, а затем протереть насухо. Не применять каких-либо чистящих средств или растворителей. Они могут повредить пластмассовые элементы электроинструмента.

Необходимо следить за тем, чтобы вовнутрь электроинструмента не попала вода.

Видимые загрязнения в выходном отверстии лазерного луча следует осторожно устранить палочкой с ваткой, применяя жидкость для чистки стекла.

ТИПИЧНЫЕ НЕИСПРАВНОСТИ И ИХ УСТРАНЕНИЕ:

Электроинструмент не включается или имеются перемены в работе:

- проверить, правильно ли присоединён кабель электропитания (10), а также наличие напряжения в сетевой розетке;
- проверить состояние угольных щёток и, в случае необходимости, заменить их.

ВНИМАНИЕ! Замену угольных щёток может выполнить только электрик с соответствующим допуском.

- если электроинструмент не работает при наличии напряжения питания и имеет при этом неизношенные угольные щётки, необходимо отправить его в ближайший сервисный пункт для ремонта, по адресу, указанному в гарантийной карте.

ТРАНСПОРТИРОВКА:

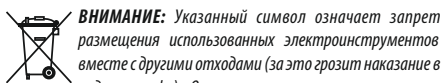
Электрический лобзик следует транспортировать и складировать в транспортном кейсе, защищающем от влаги, проникновения пыли и мелких объектов, особенно необходимо защитить вентиляционные отверстия. Мелкие элементы, попавшие вовнутрь корпуса, могут повредить электродвигатель.

ПРОИЗВОДИТЕЛЬ:

ООО «ПРОФИКС»; ул. Марыльска 34, 03-228 Варшава, ПОЛЬША
Настоящее устройство соответствует польским и европейским стандартам, а также указаниям по технике безопасности.

ВНИМАНИЕ! Все работы по ремонту должны выполняться квалифицированным персоналом, с использованием оригинальных запасных частей.

ЗАЩИТА ОКРУЖАЮЩЕЙ СРЕДЫ:

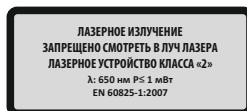


ВНИМАНИЕ: Указанный символ означает запрет размещения использованных электроинструментов вместе с другими отходами (за это грозит наказание в виде штрафа). Опасные компоненты, имеющиеся в электрическом и электронном оборудовании, отрицательно влияют на окружающую среду и здоровье.

Домашнее хозяйство должно способствовать восстановлению и повторному использованию (рециклированию) использованного оборудования. В Польше и в Европе создаётся или уже существует система сбора использованного оборудования, предусматривающая, что все пункты продажи в/у оборудования обязаны принимать использованное оборудование. Кроме того, имеются пункты приёма в/у оборудования.

ПИКТОГРАММЫ:

Описание знаков, имеющихся на щитке и информационных наклейках электроинструмента.



— «Перед подключением и началом работы необходимо прочитать инструкцию по эксплуатации»



— «Использовать средства защиты органов зрения»



— «Использовать средства защиты органов слуха»



— «Использовать средства защиты верхних дыхательных путей»



Политика компании PROFIX - это политика постоянного совершенствования своих изделий, и поэтому компания сохраняет за собой право изменения спецификации изделия без предварительного уведомления. Изображения, имеющиеся в инструкции, являются примерными и могут незначительно отличаться от фактического вида приобретённого электроинструмента.

Настоящая инструкция по эксплуатации защищена авторскими правами. Запрещено её копирование и размножение без согласия ООО «ПРОФИКС».



ÎNAINTE DE UTILIZARE, CITIȚI ACESTE INSTRUCȚIUNI.

Păstrează instrucțiunile pentru o folosire viitoare.

ATENȚIE! Citește toate avertismentele referitoare la protecția muncii marcate cu simboluri ⚠ și toate indicațiile referitoare la utilizarea în siguranță.



Nerespectarea avertismentelor de mai jos, poate duce la accidente și la electrocutare, incendii și/sau la vătămări corporale.

Păstrează toate avertismentele și indicațiile referitoare la protecția muncii, pentru a le folosi în viitor.

În avertismentele de mai jos, termenul "unealtă electrică" înseamnă *unealtă care este alimentată de la rețea (cu cablu de alimentare) sau unealtă electrică alimentată din baterie (fără cablu).*



ATENȚIE! Reguli generale de protecție a muncii.

Siguranța la locul de muncă:

- La locul de muncă păstrează curățenii și bună iluminare.** Zonele și bancurile de lucru aglomerate cheamă accidentele.
- Nu utilizezi unealta electrică în atmosfere explozive, formate din lichide inflamabile, gaze sau lichide.** Unelata electrică produce scântei, care pot aprinde praful sau aburul.
- Țineți copiii departe de locurile în care unealta electrică este folosită.** Distragerea atenției poate duce la pierderea atenției asupra unelei electrice.



ATENȚIE! Reguli generale cu privire la utilizarea în siguranță a unelei.

Siguranța electrică:

- Ștecherul unelei electrice trebuie să fie conforme cu priza.** Este interzisă modificarea ștecherului. Este interzisă utilizarea prelungitoarelor în cazul uneltelor electrice cu cablu de legare la pământ de protecție. Nemođificarea ștecherelor și a prizelor micșorează riscul de electrocutare.
- Evitați să atingeți suprafața de împământenire sau conectările la masă, cum ar fi conducte, radiatoare, radiatoare de încălzire centrală și frigider.** În cazul atingerii părților împământenite, crește riscul de electrocutare.
- Nu expuneți sculele electrice în condiții de ploaie sau mediu umed.** În caz de infiltrație cu apă, crește riscul de electrocutare.
- Nu abuzați de cablurile de conectare.** Nu folosiți cablul de alimentare la mutarea, tragerea unelei sau tragerea ștecherului din priză. Păstrați cablul de alimentare departe de surse de căldură, ulei, muchii ascuțite sau părți în mișcare. Cablurile deteriorate sau încurcate cresc riscul de electrocutare.
- În cazul în care unealta electrică este folosită în aer liber, conectarea trebuie efectuată cu ajutorul prelungitoarelor destinate funcționării în aer liber.** Folosirea prelungitorului destinat funcționării în aer liber, micșorează riscul de electrocutare.
- În cazul în care unealta electrică este folosită în mediu umed, este inevitabilă, utilizarea unui dispozitiv de protecție împotriva tensiunii de alimentare, cum ar fi aplicarea unui dispozitiv de curent rezidual (RCD).** Folosirea RCD micșorează riscul de electrocutare.



ATENȚIE! Avertismente generale cu privire la siguranța folosirii unelei.

Siguranță personală:

- Acest echipament nu este destinat utilizării de către persoane (inclusiv copii) cu abilități fizice reduse, senzoriale sau mentale, sau de persoane care nu au experiență sau nu cunosc echipamentul, cu excepția cazului în care are loc sub supraveghere sau în conformitate cu instrucția de folosire a echipamentului, de către o persoană responsabilă pentru siguranța lor.**
- Trebuie să fii atent, să aveți grijă ce faceți și să păstrați bun simț în timpul folosirii unelei electrice.** Nu folosiți unealta electrică, când sunteți obosiți sau sub influența drogurilor, alcoolului sau a medicamentelor. Un moment de neatenție în timpul lucrului cu unelata electrică poate cauza vătămări personale grave.
- Folosiți echipament de protecție.** Purtați întotdeauna ochelari de protecție. Folosind echipamentul de protecție cum ar fi masca de praf, pantofi cu anti-alunecare, căști sau protecție auditivă, micșorai riscul de vătămare.
- Evitați pornirea accidentală.** Înainte de conectarea la sursa de alimentare și/sau înainte de conectarea bateriei și înainte de ridicarea sau mutarea unelei asigurativă că comutatorul unelei electrice este în poziția oprită. Mutarea unelei electrice cu degetul pe comutator sau conectarea unelei electrice la rețeaua de alimentare în poziția pornită poate provoca un accident.
- Înainte de pornirea unelei electrice îndepărtați toate uneltele din apropiere.** Lăsarea de unelte pe părțile de mișcare ale unelei electrice poate duce la vătămări corporale.
- Nu vă aplecați prea mult.** Trebuie să stați siguri și să mențineți echilibrul. Acest lucru va permite un control mai bun asupra unelei electrice în situații neașteptate.
- Îmbrăcați-vă corespunzător.** Nu purtați haine largi sau bijuterii. Țineți părul strâns, hainele și mânușile departe de părțile în mișcare. Hainele largi, bijuteria sau părul lung se pot agăța de părțile în mișcare.
- Dacă echipamentul este potrivit pentru conectarea extractorului de praf extern și a colectorului de praf, asigurați-vă că acestea sunt conectate și folosite corect.** Folosirea colectorului de praf poate reduce riscul de pericole legate de prăfuit.



ATENȚIE! Avertismente generale cu privire la folosirea în siguranță a unelei.

Utilizarea și îngrijirea unelei electrice:

- Nu supraîncărcați unealta electrică.** Utilizați o unealtă electrică în funcție de puterea necesară muncii efectuate. Unealta electrică corectă va permite o funcționare mai bună și este sigură în cazul însărcinării, pentru care a fost proiectată.
- Este interzisă utilizarea unelei electrice dacă comutatorul nu pornește și nu oprește unealta.** Fiecare unealtă electrică care nu pornește sau nu se oprește este periculoasă și trebuie reparată.

- c) **Deconectați ștecherul de la sursa de alimentare a unei electrice și/sau deconectați bateria înainte de orice setare, schimbare de părți sau depozitare.** Aceste mijloace de protecție reduc riscul unei porniri accidentale a unelei electrice.
- d) **Unelata electrică nefolosită trebuie depozitată departe de copii și nu trebuie împrumutată persoanelor care nu cunosc unelata electrică sau care nu au citit această instrucție de folosire a unelei electrice.** Unelata electrică este periculoasă când este folosită de o persoană fără experiență.
- e) **Unelata electrică trebuie bine întreținută.** Trebuie controlată alinierea sau bruierea pieselor în mișcare, ruperea pieselor și alți factori care pot avea influență la funcționarea unelei electrice. Dacă găsim o deteriorare, unelata electrică înaintea folosirii trebuie reparată. Cauza multor accidente este întreținerea necorespunzătoare a unelei electrice.
- f) **Uneltele de tăiere trebuie să fie ascuțite și curate.** Înțreținerea părților ascuțite ale uneltelei de tăiere reduce riscul de blocare în material și ușurează folosirea.
- g) **Unelata electrică, echipamentul, uneltele de lucru, etc. trebuie folosite în conformitate cu această instrucție, ținând cont de tipul și condițiile de lucru.** Utilizarea unelei electrice în alt mod decât este destinația, poate duce la situații periculoase.
- h) **La temperaturi scăzute, sau după o perioadă îndelungată de nefolosire, este recomandată pornirea unelei electrice fără sarcină pentru câteva minute pentru a distribui corect unsoarea în mecanismul de transmisie.**
- i) **Pentru curățirea unelei electrice folosiți o cârpă moale, umedă (nu udă) și săpun.** Nu folosiți benzină, diluanți sau alte mijloace care pot deteriora echipamentul.
- j) **Unelata electrică trebuie depozitată/transportată numai după ce ne-am asigurat că toate elementele în mișcare sunt blocate și asigurate cu ajutorul elementelor originale destinate blocării.**
- k) **Unelata electrică trebuie păstrată într-un loc uscat, asigurat împotriva prafului și a umezelii.**
- l) **Transportul unelei electrice trebuie să aibă loc în ambalajul original, asigurat împotriva deteriorărilor mecanice.**



ATENȚIE! Avertismentele generale cu privire la folosirea în siguranță a unelei.

Repararea:

- a) **Repararea unelei electrice trebuie efectuată de persoane calificate, care folosesc doar piese de schimb originale.** Acest lucru asigură că folosirea unelei electrice va fi în siguranță.



ATENȚIE!

În timpul utilizării unelei electrice se recomandă respectarea regulilor de bază ale siguranței muncii, pentru a evita incendiile, electrocutarea sau vătămări mecanice.



AVERTISMENT! FERĂSTRĂU ELECTRIC, mențiuți detaliate referitoare la utilizarea în condiții de siguranță a aparatului:

- a) **Atunci când efectuați lucrări în timpul cărora aparatul ar putea atinge cabluri electrice ascunse sau propriul cablu de alimentare, aparatul electric trebuie ținut de suprafața**

izolată a mânerului. Contactul cu cablul de rețea poate transmite o parte de tensiune pe piesele metalice ale aparatului iar acest lucru ar putea duce la electrocutare.

- b) **Trebuie să folosiți instrumente de căutare corespunzătoare pentru a localiza cablurile de alimentare ascunse, sau să cereți informații la administrația clădirii.** Contactul cu cablurile sub tensiune poate provoca incendii și constituie pericol de electrocutare. Deteriorarea furtunului de alimentare cu gaz constituie pericol de explozie. Perforarea țevilor de canalizare produce pagube materiale.
- c) **Se interzice prelucrarea de materiale care conțin azbest.** Azbestul poate provoca cancer.
- d) **Locul de muncă trebuie menținut curat.** Amestecurile de materiale sunt extrem de periculoase. Pulberea de metale ușoare se poate aprinde sau poate exploda.
- e) **Trebuie să asigurați obiectul prelucrat.** Asigurați-vă că toate clemele de fixare sunt strânse și verificați ca să nu joace prea tare. Veți fi mai în siguranță dacă fixați obiectul prelucrat într-un aparat de fixare sau cu o menghină decât dacă îl țineți în mână.
- f) **Trebuie să purtați mereu ochelari de protecție și protecție auditivă. Folosiți, atunci când este necesar, măsurile de protecție personală corespunzătoare:**
- masca de protecție pentru a diminua riscul de inhalare de praf cu efect nociv,
 - mănuși de protecție atunci când lama se mișcă și prelucrați un material poros.
- g) **Aveți grijă ca piciorul de ajustare (1) în timpul tăierii să fie montat corespunzător.** Lama blocată se poate rupe și poate provoca recul.
- h) **Trebuie să folosiți numai lame care nu sunt deteriorate și nu au defecte.** Lamele strâmbе sau neascuțite se pot rupe sau pot provoca apariția forței de revenire.
- i) **Aparatul electric trebuie pornit înainte ca lama să atingă materialul.** În caz contrar există pericolul de recul, deoarece aparatul folosit se blochează în obiectul prelucrat.
- j) **Trebuie să țineți mâinile departe de spațiul de tăiere.** Nu așezați mâinile sub obiectul prelucrat. În caz de contact cu lama există pericolul de arnire.
- k) **După ce terminați lucrarea trebuie să opriți aparatul electric.** Lama poate fi scoasă din materialul prelucrat atunci când este oprită. Astfel evitați reculul și puteți așeza deoparte în condiții de siguranță aparatul electric.
- l) **Trebuie să decuplați aparatul de la rețeaua electrică în timpul pauzelor de muncă, când schimbați lama, în timpul renovării, când îl curățați sau ajustați.**
- m) **Nu este permisă utilizarea aparatului electric cu cablu de alimentare deteriorat.** Nu atingeți cablul deteriorat; în cazul în care cablul se deteriorează în timp ce folosiți aparatul trebuie să scoateți ștecherul din priză. Cablurile deteriorate măresc riscul de electrocutare.

ATENȚIE! În cazul în care cablul de alimentare nedemontabil se deteriorează, trebuie înlocuit cu un cablu special sau cu ansamblul disponibil la producător ori într-un atelier de reparații specializat.

n)



Trafoajul este un aparat dotat cu un indocator cu laser clasa 2 cf. EN 60825-1:2007. Este interzis privitul înspre fascicolul de laser și dirijarea acestuia direct în ochii oamenilor sau a animalelor. Privitul în fascicolul de laser clasa 2 emis nu este dăunător dacă durează mai puțin de 0,25 s. Reflexul de închidere a pleoapelor este îndejuns de obicei pentru a asigura protecția necesară. Folosirea de echipament optic, de exemplu ochelari, binoclu nu duce la mărirea riscului de deteriorare a ochilor.

CONSTRUCȚIA ȘI DESTINAȚIA TRAFORAJULUI:

Trafoajul cu lamă este un aparat din clasa a doua de protecție (izolație dublă), acționat cu un motor monofazic și este dotat cu un sistem electronic de setare a vitezei de operare. Posibilitatea de reglare a vitezei și reglarea cu 4 nivele de distanțare a lamei vă asigură eficacitatea optimă a procesului de tăiere.

Trafoajul este utilizat pentru efectuarea de tăieri și decupaje în lemn și materiale derivate, mase plastice, metal, plăci ceramice și cauciu. Procesul de tăiere este realizat cu o lamă corespunzătoare, ajustată pentru materialul prelucrat.

Aparatul este adaptat pentru realizarea de tăieri drepte și oblice, la un unghi de până la 45°. Este destinat pentru lucrări casnice și industriale cu intensitate medie. Nu este fabricat pentru lucrări îndelungate în condiții grele.

Nu folosiți aparatul pentru efectuarea de lucrări care necesită utilizarea unui aparat profesional. Fiecare utilizare a trafoajului care nu corespunde destinației acestuia ce a fost menționată mai sus este interzisă și duce la pierderea garanției iar producătorul nu este responsabil pentru pagubele ce au loc în aceste circumstanțe.

Toate modificările aparatului efectuate de utilizator îl exceptă pe producător de responsabilitate pentru pagubele provocate utilizatorului și mediului.

Utilizarea corespunzătoare a trafoajului se referă de asemenea și la întreținere, depozitare, transport și reparații.

Trafoajul poate fi reparat doar la punctele de service indicate de către producător. Aparatele alimentate la rețea trebuie să fie reparate doar de persoane autorizate.

Chiar dacă se respectă regulile de utilizare conformă cu destinația aparatului este imposibilă eliminarea în totalitate a anumitor factori de risc rezidual. În funcție de modul de construcție și alcătuirea aparatului pot fi identificate următoarele tipuri de pericol:

- Atingerea lamei în timpul funcționării în spațiul neacoperit al trafoajului;
- Arsurile la înlocuirea lamei. (În timpul operării lama se încălzește foarte tare, pentru a evita arsurile la înlocuirea acestuia trebuie să folosiți mănuși de protecție);
- Aruncarea obiectului prelucrat sau a unor părți din obiectul prelucrat;
- Fisurarea/ruperea lamei;
- Deteriorarea auzului în cazul în care nu se folosește protecția auditivă necesară;
- Emisiile de praf de lemn dăunător pentru sănătate în cazul în care se efectuează lucrări în încăperi închise.

CONȚINUT:

- Ferăstrău electric - 1 buc.
- Ghidaj paralel - 1 buc.
- Suprapunere pe picior - 1 buc.

- Lame - 2 buc. (metal, lemn)
- Cheie imbus - 1 buc.
- Cuplaj pentru conectarea aspiratorului - 1 buc.
- Perii de cărbune - 2 buc.
- Valiză pentru transport - 1 buc.
- Instrucțiuni de utilizare - 1 buc.
- Fișă de garanție - 1 buc.

PIESE APARAT:

Numotarea pieselor aparatului este legată de reprezentarea grafică publicată pe paginile 2-3 din instrucțiunile de utilizare:

- Des.A:**
1. Talpă ajustabilă (0° - 45°)
 2. Șuruburi de fixare a ghidajului
 3. Protecție anticontact
 4. Capac laser
 5. Buton por/opri indicator laser
 6. Buton de ajustare a vitezei de salt
 7. Mâner cu adaos antiderapant
 8. Buton blocadă comutator
 9. Comutator
 10. Cablu alimentare
 11. Compartiment magnetic pentru lame
 12. Conector pentru cuplarea aspiratorului
 13. Levier pentru blocat pricioarul ferăstrăului
 14. Buton pornire/oprire suflare rumeguș
 15. Comutator mișcare pendulară
 16. Suprapunere pe picior
 17. Rolă ghidaj
 18. Ghidaj paralel
- Des.B**
19. Suport pentru lame
 20. Lamă
- Des.G:**
21. Șuruburi de fixare
 22. Baterii pentru alimentare laser
 23. Indicator cu laser
- Des.H:**
24. Scală unghi de înclinare

INFORMAȚII TEHNICE:

Tensiune nominală		230V
Frecvență nominală		50 Hz
Putere nominală		800 W
Turația fără sarcină		800-3100/min
Lungimea saltului		23 mm
Tăiere la unghi		0° - 45°
Adâncimea de tăiere	lemn	110 mm
	aluminiu	15 mm
	oțel	10 mm
Indicator cu laser:	clasă laser	2
	lungime unde laser	650 nm
	putere laser	≤1mW
Clasa echipamentului		II
Lungimea cablului de alimentare		3 m
Masă proprie		2,65 kg
Nivelul presiunii acustice (LpA), (K=±3dB(A))		88,2 dB(A)
Nivelul puterii acustice (LwA), (K=±3dB(A))		99,2 dB(A)

Nivelul de vibrații conform EN 60745 (toleranță de măsurare $K=1,5 \text{ m/s}^2$)	Tăiere în lemn	9,321 m/s^2
	Tăiere în metal	7,898 m/s^2

Nivelul menționat de vibrații este reprezentativ pentru utilizarea aparatului electric. Dacă aparatul electric va fi utilizat pentru alte scopuri sau cu alte instrumente de lucru precum și dacă nu va fi întreținut corespunzător, nivelul de vibrații ar putea diferi de cel indicat. Motivele indicate mai sus pot duce la sporirea nivelului de expunere la vibrații pe toată durata timpului de funcționare.

Trebuie să introduceți mijloace adiționale de siguranță, care au scopul de a proteja operatorul de efectele de expunere la vibrații, de ex.: întreținere aparat electric și instrumente de lucru, asigurarea temperaturii corespunzătoare a mâinilor, stabilirea ordinii operațiilor de muncă.

PREGĂTIRE PENTRU UTILIZARE:

1. Asigurați-vă că sursa de alimentare are parametrii care corespund parametrilor indicați pe tabelul nominal.
2. Asigurați-vă că aveți comutatorul traforajului la poziția oprit.
3. În cazul în care lucrați cu un prelungitor trebuie să vă asigurați că parametrii prelungitorului, secțiunile cablurilor corespund parametrilor traforajului. Se recomandă folosirea unor prelungitoare cât mai scurte. Prelungitorul trebuie să fie întins cu totul.
4. În cazul în care tăiați lemn care a fost deja prelucrat aveți grijă la corpurile străine, de ex. cuie, suruburi etc.

ATENȚIE! Trebuie să decuplați ștecherul de la sursa de alimentare a uneltei electrice înainte de a efectua orice setare, de a schimba vreo piesă sau de a depozita aparatul.

Montare lamă

Traforajul poate fi utilizat cu toate tipurile de lame disponibile în comerț cu capăt tip T (tip A cf catalog Proflix). Lamele oferite de producători, cel mai adesea în seturi, în funcție de destinație, se pot deosebi prin dimensiune și tipul dinților de tăiere. Pe ambalajul setului de lame sau în instrucțiunile atașate producătorilor informează de obicei despre destinația fiecărui tip de tăis. Mai mult, lamele se pot deosebi prin culori diferite pentru diferitele materiale prevăzute pentru tăiere.



ATENȚIE! Înainte de montarea lamei și de toate lucrările de întreținere trebuie să vă asigurați că nu aveți cablul de alimentare conectat la sursa de curent.

Atunci când montați pânda de traforaj trebuie să purtați mănuși de protecție. Atunci când atingeți pânda de traforaj puteți să vă răniți.

Mănerul special (19) asigură montarea rapidă a lamei.

- Trageți roțița mânerului (19) în direcția săgeții (des. B), astfel încât canelura de fixare să fie paralelă cu axul longitudinal al mașinii de tăiat.
- Introduceți lama selectată (20), cu dinții înspre exterior, până la refuz în canelura suportului (19). Dați drumul la roțița mânerului, care blochează automat lama (des. C).

ATENȚIE! Trebuie să controlați dacă lama este bine introdusă. Lama care se mișcă liber poate să cadă și să rănească operatorul.

- Pentru a scoate lama, trebuie să efectuați aceiași pași dar în direcție opusă.

Compartimente pentru lame

Pe ambele părți ale ferăstrăului se află compartimente magnetice încorporate pentru lame (11), în care puteți ascunde lamele.

- Deschideți capacul compartimentului (11), țineți clema din partea

de sus a capacului și trageți în exterior (des. D).

- Lamele sunt susținute în compartiment cu o bandă magnetică. Pentru a scoate lama trebuie să apăsați un capăt și să trageți de partea ridicată.

- Închideți capacul compartimentului pentru lame (11).

ATENȚIE! Înainte de a începe să lucrați asigurați-vă că ați închis bine compartimentele.

Ajutajul pentru picior

Aparatul este dotat cu un ajutor de plastic pentru picior (16), care previne zgărirea suprafeței tăiate. În cazul în care pe durata muncii ajutorul se deteriorează trebuie să-l schimbați cu unul nou.

OPERARE:

Pornire/oprire

- Pentru a porni unealta electrică apăsați comutatorul (9) și ținați-l apăsat.
- Pentru a bloca comutatorul în poziția pornită apăsați blocada comutatorului (8). Butonul de blocare pentru lucru continuu este disponibil pe ambele părți ale ferăstrăului și permite utilizarea facilă a acestuia atât persoanelor dreptace cât și stângace.
- Pentru a opri unealta electrică comutatorul (9) trebuie eliberat, sau când este blocat cu blocada (8), apăsați-l scurt și apoi eliberați-l.

Selectarea inițială a vitezei de salt

În partea anterioară a mânerului traforajului se află butonul regulatorului vitezei de salt (6). Acest fapt permite selectarea vitezei de tăiere care depinde de tipul de material prelucrat precum și de condițiile de funcționare și poate fi adaptată optim prin probe practice.

După ce lucrați timp îndelungat cu o viteză de salt mică trebuie să răciți motorul aparatului. Pentru a face acest lucru porniți aparatul și lăsați-l în funcțiune aprox. 3 minute fără sarcină la viteză maximă de salt.

Reglarea mișcării de pendulare

Pe carcasa traforajului, pe partea stângă se află butonul auxiliar de setare a mișcării de pendulare (15) a capului traforajului (funcția decupare). Această facilitare adițională vă permite să optimizați parcursul procesului de funcționare atunci când prelucrați un anumit tip de material.

Mișcarea de pendulare poate fi setată cu comutatorul (15) în patru poziții. Schimbarea poate fi efectuată chiar când aparatul este în funcțiune:

Nivel 0 - Oscilație oprită

Nivel 1 - Valoare mică oscilație

Nivel 2 - Valoare medie oscilație

Nivel 3 - Valoare mare oscilație

Serecomandă:

- Ca valoarea oscilației de pendulare să fie cu atât mai mică și chiar să o opriți în funcție de cât de delicată și de curată trebuie să fie marginea suprafeței tăiate.
- Atunci când prelucrați materiale subțiri cum ar fi tabla trebuie să opriți cu totul mișcarea de pendulare.
- Atunci când prelucrați materiale tari cum ar fi oțelul folosiți o mișcare de pendulare cu valoare mică.
- În cazul materialelor moi și atunci când tăiați de-a lungul fibrelor folosiți valoarea maximă a mișcării de pendulare.
- Atunci când folosiți lamă tip cuțit vă recomandăm să opriți mișcarea de pendulare.

Parametrii optimi de funcționare pot fi selectați doar în urma probelor practice.

Atunci când tăiați metale vă recomandăm să folosiți de-a lungul liniei de tăiere o substanță de răcire-ungere corespunzătoare.

■ Protecția anticontact

Protecția anticontact amplasată pe carcasă (3) împiedică atingerea neintenționată a lamei în timpul funcționării aparatului și nu trebuie scoasă.

■ Dispozitiv de suflare a așchiilor

Cu ajutorul curentului de aer produs de dispozitivul de suflare a așchiilor linia de tăiere poate fi menținută liberă de așchii.

- Conectarea dispozitivului de suflare a așchiilor: puneți comutatorul (14) în poziția **on** (por).
- Deconectarea dispozitivului de suflare a așchiilor: puneți comutatorul (14) în poziția **off** (opr).

■ Aspirare rumeguș și pilitură (vezi des. E)

Traforajul este prevăzut cu un conector (12) care vă permite să cuplați traforajul la aspirator ceea ce vă ajută să obțineți aspirarea exactă a rumegușului și piliturii. Aspiratorul trebuie să poată lucra cu tipul de material prelucrat.

ATENȚIE! Înainte de a conecta aspiratorul trebuie să vă asigurați că ați decuplat cablul de alimentare al ferăstrăului de la sursa de alimentare.

- Introducerea conectorului (12) în duza de desprăfuire și cuplajii la acesta furtunul aspiratorului.

ATENȚIE: Atunci când aspirați rumegușul butonul de pornire/oprire pentru aspirarea rumegușului (14) trebuie setat la poziția **off** (opr).

■ Tăiere paralelă (vezi des. F)

Dați drumul la șuruburile de fixare (2) și introduceți ghidajul paralel (18) prin mânerul din picior (1). Setajii lățimea de tăiere dorită cu scala de pe partea exterioară a ghidajului. Strângeți șuruburile de fixare și efectuați tăierea.

■ Indicator cu laser

Indicatorul cu laser (23) indică linia de tăiere. Pe suprafața obiectului prelucrat trebuie să marcați direcția cerută de tăiere, iar în timpul tăierii să mișcați fasciculul de laser de-a lungul liniei marcate.

- Pentru a porni sau opri indicatorul cu laser trebuie să apăsați comutatorul pornit/oprit (5).

Verificați înainte de a începe tăierea dacă linia de tăiere este indicată corespunzător. Indicatorul cu laser se poate mișca datorită vibrațiilor în timpul utilizării intensive a aparatului electric.

ATENȚIE: După fiecare utilizare a ferăstrăului trebuie să opriți indicatorul cu laser.

■ Schimbarea bateriei (vezi des. G)

Indicatorul cu laser (23) este alimentat cu două baterii alcaline tip AG13 1,5V. Bateriile trebuie schimbate atunci când lumina laserului este slabă iar raza acestuia se disipează.

- Pentru a face acest lucru trebuie să deschideți capacul laserului (4) de la ferăstrău și să desfiletați șuruburile de fixare (21) și să trageți în față capacul laserului.
- Scoateți bateriile consumate (22) și introduceți în locul acestora baterii noi tip AG13, asigurați-vă că polurile (+) și (-) sunt conectate corect. Montați la loc capacul laserului (4).

ATENȚIE! Nu aruncați bateriile consumate cu alte deșeurii. Bateriile sau acumulatorii trebuie lăsați doar la punctele de colectare a acestui tip de

deșeurii.

■ Decupare

- Folosiți o mașină de găurit pentru a face un orificiu de 10 mm în zona de decupat.
- Introduceți pânza de traforaj în orificiul și începeți să decupați.

■ Setarea piciorului de ferăstrău pentru tăiere oblică (des. H)

ATENȚIE! Nu folosiți ferăstrăul cu piciorul demontat sau nefiletat.

Piciorul ferăstrăului (1) este setat din fabrică la poziția din mijloc (0°) și poate fi setat pentru tăiere oblică atât în stânga cât și în dreapta la unghiul de 45°.



ATENȚIE! Înainte de a schimba unghiul de setare a piciorului ferăstrăului trebuie să vă asigurați că ați decuplat cablul de alimentare al ferăstrăului de la sursa de alimentare.

1. Trageți leviera de blocare a piciorului ferăstrăului (13) în exterior, pentru a debloca piciorul.
2. Trageți piciorul ferăstrăului (1) în față.
3. Setajii unghiul dorit 22,5° sau 45°, folosind scara (24).
4. Împingeți piciorul ferăstrăului (1) în spate.
5. Setajii leviera blocadei piciorului ferăstrăului (13) în spate pentru a bloca piciorul ferăstrăului (1).



ATENȚIE! Trebuie să verificați dacă talpa ferăstrăului este imobilizată bine. Talpa mobilă, desfiletată poate duce la accidente în timpul muncii.

Pentru a seta din nou piciorul ferăstrăului (1) pentru tăiere dreaptă, trebuie să efectuați din nou procedura descrisă mai sus, dar setajii acum piciorul la unghiul de 0°.

INDICAȚII REFERITOARE LA FOLOSIRE:

Reguli de bază pentru utilizarea corespunzătoare a traforajului:

- trebuie să tăiați materialul prin apăsare moderată, nu suprasolicitați traforajul.
- apăsarea exagerată poate încetini sau chiar opri mișcarea du-te – vino, iar acest lucru încetinește sau întrerupe procesul de tăiere.
- când tăiați, piciorul traforajului trebuie să fie lipit pe toată suprafața de materialul de prelucrat.
- tăierea unui orificiu în materiale dure trebuie să fie precedată de efectuarea unei găuri care poate permite introducerea lamei.
- când tăiați linii ce formează un unghi ascuțit sau care sunt combinate cu un arc cu rază mică cel mai bine ar fi să folosiți o îngustă și să opriți mișcarea de pendulare a capului.
- folosirea ghidajului facilitează menținerea liniei de tăiere.

DEPOZITARE ȘI MENȚENANȚĂ:

Aparatul trebuie depozitat într-un loc care nu se află la îndemâna copiilor, menținut curat, ferit de umiditate și de praf. Condițiile de depozitare trebuie să excludă posibilitatea de deteriorare mecanică sau influența factorilor atmosferici.

În general traforajul nu are nevoie de operare sau de mentenanță specială. Totuși uleiarea regulată a roții (17) de dirijare a lamei asigură rezistența îndelungată a acestuia.

Trebuie să controlați regulat starea șuruburilor care fixează carcasa și piciorul ferăstrăului. În caz că este necesar strângeți-le mai puternic.

După ce ați terminat lucrarea se recomandă suflarea cu aer comprimat a orificiilor de ventilare și a suportului lamei. Acest lucru previne deteriorarea rulmenților, îndepărtează praful care blochează accesul de

aer care răcește motorul.

Carcasa trebuie curățată cu o pânză curată și umezită cu o cantitate mică de săpun iar apoi trebuie stearsă până ce se usucă. Nu folosiți nicio substanță de curățare și niciun diluant; acestea pot deteriora piesele de plastic ale aparatului.

Aveți grijă ca în interiorul aparatului să nu pătrundă apă.

Petele la vedere în orificiul de ieșire al fascicolului de laser precum și lentilele, trebuie să șterse cu ajutorul unui tampon de vată, folosind substanțe de curățare a sticlei.

DEFECIUNI TIPICE ȘI SOLUȚIONAREA ACESTORA:

Unealta electrică nu pornește sau încetează lucrul:

- verificați dacă cablul de alimentare (10) este montat corect și dacă priza este alimentată cu curent electric;
- verificați starea periiilor de cărbune și schimbați-le în cazul în care este necesar.

ATENȚIE! Înlocuirea periiilor de carbon poate fi efectuată doar de un electric autorizat.

- în cazul în care unealta electrică nu funcționează în continuare, cu toate că este alimentată cu curent iar periiile de cărbune nu sunt uzate trebuie să o trimiteți la service pentru reparații la adresa indicată în fișa de garanție.

TRANSPORT:

Traforul trebuie transportat și depozitat în cutia de transport care protejează aparatul de umiditate, accesul prafului și a altor obiecte de dimensiuni mici, iar în special trebuie protejate orificiile de ventilare. Particulele mici care intră în carcasă pot deteriora motorul.

PRODUCĂTOR:

PROFIX Sp z o.o.,
ul. Marywilka 34,
03-228 Warszawa, POLONIA

Această unealtă respectă normele naționale și europene, precum și normele de siguranță.

ATENȚIE: Toate reparațiile trebuie efectuate de către personal calificat,

folosind doar părți de schimb originale.

PROTECȚIA MEDIULUI:



ATENȚIE: Simbolul prezentat înseamnă interdicția punerii echipamentelor uzate împreună cu celelalte deșeuri menajere (sub risc de amendă). Componente periculoase care fac parte de utilaje electrice și electronice dăunează mediul natural și sănătatea omului.

Fiecare menaj ar trebui să participe la recuperarea și reciclarea utilajelor uzate. În Polonia și în Europa se formează sau există deja niște sisteme de colectare a utilajelor uzate, în cadrul cărora toate punctele de vânzare ale utilajelor citate sunt obligate să primească utilajele uzate înapoi. În plus, există și punctele specializate în colectarea asemenea utilajelor.

PICTOGRAME:

Explicațiile imaginilor de pe tabelul nominal și de pe etichetele informative.



«Înainte de cuplare și de a începe operarea trebuie să citiți prezenta instrucțiune!»



«Folosiți întotdeauna ochelari de protecție!»



«Folosiți mijloace de protecție auditivă!»



«Folosiți întotdeauna măști de praf!»



Politica firmei PROFIX este aceea de perfecționare continuă a produselor sale și de aceea firma își rezervă dreptul de modificare a specificației produsului fără înștiințarea anterioară. Imaginile indicate în instrucțiunile de utilizare sunt doar exemple și se pot diferi puțin de aspectul real al dispozitivului achiziționat.

Prezenta instrucțiune este protejată prin dreptul de autor. Copierea/înmulțirea fără acordul în scris al firmei PROFIX Sp.z o.o. este interzisă.



PRIEŠ RADEJANT DARBĄ SUSIPAŽINKITE SU INSTRUKCIJA.

Išsaugokite instrukciją, nes gali būti reikalinga vėliau.



ĮSPĖJIMAS! Prašome perskaityti visus įspėjimus dėl saugaus naudojimo pažymėtus simboliais ⚠️ bei visas nuorodas dėl saugaus naudojimo.

Žemiau pateikiamų įspėjimų dėl saugos bei saugos nuorodų nesilaikymas gali būti elektros smūgio, gaisro ir/arba sunkių kūno sužalojimų priežastimi.

Išsaugokite visus įspėjimus ir visas saugos nuorodas, kad vėliau būtų galima jais pasinaudoti.

Žemiau pateiktose įspėjimuose sąvoka „elektros prietaisas“ apibūdina elektros prietaisą maitinamą elektros energija iš elektros tinklo (maitinimo laidas) arba elektros prietaisą maitinamą akumuliatoriumi (batais).



ĮSPĖJIMAS! Bendri įspėjimai dėl saugaus įrankio naudojimo.

Sauga darbo vietoje:

- Darbo vietoje turi būti švaru, tvarkinga bei geras apšvietimas.** *Netvarka bei netinkamas darbo vietos apšvietimas gali būti nelaimingų atsitikimų priežastimi.*
- Nenaudoti elektros prietaiso sprogiroje aplinkoje, kurioje yra degūs skysčiai, degios dujos arba dulkės.** *Elektros prietaiso darbo metu susidaro elektros kibirkštis, todėl gali užsidegti esantis aplinkoje garai.*
- Darbo vietoje negali būti vaikai bei pašaliniai.** *Dėmesio nukreipimas gali būti elektros prietaiso valdymo praradimo priežastimi.*



ĮSPĖJIMAS! Bendri įspėjimai dėl saugaus įrankio naudojimo.

Elektros sauga:

- Elektros prietaisų kištukai turi atitikti elektros lizdo tipui.** *Jokiu būdu negalima keisti kištuko. Jeigu elektros prietaisas turi įžeminimą, negalima naudoti ilgintuvo.* *Originalių kištukų bei lizdų naudojimas sumažina elektros smūgio riziką.*
- Venkite kūno kontakto su žemintais paviršiais, tokiais kaip vamzdžiai, šildytuvai, centrinio šildymo radiatoriai bei šaldytuvais.** *Kontaktas su žemintais paviršiais didina elektros smūgio pavojų.*
- Saugokite prietaisą nuo lietaus ir drėgmės.** *Jeigu vanduo patenka į elektros prietaisą, padidėja elektros smūgio rizika.*
- Nenaudokite laidų ne pagal paskirtį.** *Neneškite įrenginio paėmę už laido, netraukite už jo norėdami išjungti kištuką iš elektros lizdo. Laidą klokite taip, kad jo neveiktų karštis, jis neišsistieptų alyva ir jo nepažeistų aštrios detalės ar judančios prietaiso dalys.* *Pažeistas laidas gali tapti elektros smūgio priežastimi.*
- Jeigu elektros prietaisas yra naudojamas lauke, laido prailginimui naudokite tik specialiai tam skirtus prailgintuvus.** *Prailgintuvų skirtų darbui lauke naudojimas sumažina elektros smūgio riziką.*
- Jeigu negalima išvengti elektros prietaiso naudojimo**

drėgnoje aplinkoje, naudokite RCD įrenginį. *RCD įrenginys naudojimas sumažina elektros smūgio riziką.*



ĮSPĖJIMAS! Bendri įspėjimai dėl saugaus įrankio naudojimo.

Žmonių sauga:

- Prietaisu negali naudotis asmenys (tame tarpe vaikai) turintis fizinis, jutimo arba psichinius negalavimus, taip pat asmenys neturintis darbo patirties arba nesusipažinę su prietaisu, nebent toks darbas vyksta stebint specialistui arba pagal prietaiso naudojimo instrukciją, kuri buvo perduota asmeniui atsakingu už saugą.**
- Būkite atidūs, sutelkite dėmesį į tai, ką Jūs darote ir, dirbdami su elektros prietaisu, vadovaukitės sveiku protu.** *Nedirbkite su prietaisu, jei esate pavargę arba vartojote narkotikus, alkoholių ar medikamentus.* *Akimirksnio neatidumas naudojant prietaisą gali tapti rimtų sužalojimų priežastimi.*
- Dėvėkite tinkamą aprangą.** *Nešiokite apsauginius akinius.* *Apsauginės aprangos, tokios kaip dulkių kaukė, neslystantis apsauginiai batai, šalmas, asinės, naudojimas sumažina sužalojimų grėsmę.*
- Saugokitės, kad neįjungtumėte prietaiso atsitiktinai.** *Prieš įjungiant kištuką į elektros lizdą ir/arba prieš akumuliatoriaus įjungimą bei prieš paimant arba perrašant prietaisą įsitikinkite, kad prietaisas yra išjungtas.* *Prietaiso perrašimas su pirštu ant jungiklio arba prietaiso įjungimas į maitinimo tinklą gali tapti nelaimingo atsitikimo priežastimi.*
- Prieš įjungdami prietaisą pašalinkite raktus.** *Prietaiso besisukančioje dalyje esantis įrankis ar raktas gali tapti sužalojimų priežastimi.*
- Nepasilenkite pernelyg į priekį.** *Dirbdami atsistokite patikimai ir visada išlaikykite pusiausvyrą.* *Patikima stovėseną ir tinkama kūno laikysena leis geriau kontroliuoti prietaisą netikėtose situacijose.*
- Dėvėkite tinkamą aprangą.** *Nedėvėkite plačių drabužių ir papuošalų.* *Saugokite plaukus, drabužius ir pirštines nuo besisukančių prietaiso dalių.* *Laisvus drabužius, papuošalus bei ilgus plaukus gali įtraukti besisukančios prietaiso dalys.*
- Jeigu įrenginiai yra pritaikyti prijungimui prie dulkių nusiurbimo ir dulkių surinkėjo, įsitikinkite, kad šie įrenginiai tinkamai prijungti ir panaudoti pagal paskirtį.** *Dulkių surinkėjų panaudojimas sumažina dulkių poveikio pasekmes.*



ĮSPĖJIMAS! Bendri įspėjimai dėl saugaus įrankio naudojimo.

Rūpestinga elektros prietaisų priežiūra ir naudojimas

- Neperkraukite prietaiso.** *Naudojamo prietaiso galingumas turi atitikti atliekamam darbui.* *Tinkamai parinktas elektros prietaisas leis atlikti darbą gerai ir saugiai.*
- Nenaudokite elektros prietaiso su sugedusiu jungikliu.** *Elektros prietaisas, kurio nebegalima įjungti ar išjungti, yra pavojingas ir jį reikia remontuoti.*

- c) **Prieš reguliuodami prietaisą, keisdami darbo įrankius arba prieš sandėliavimą ištraukite kištuką iš elektros lizdo ir/arba atjunkite akumuliatorių.** Ši saugumo priemonė apsaugos jus nuo netikėto prietaiso įsijungimo.
- d) **Nenaudojamą prietaisą sandėliuokite vaikams ir nemokantiems juo naudotis arba nesupažinusiems su instrukcija asmenims neprieinamoje vietoje.** Elektriniai įrankiai yra pavojingi, kai juos naudoja nepatyrę asmenys.
- e) **Rūpestingai prižiūrėkite prietaisą.** Patikrinkite, ar besisukančios prietaiso dalys tinkamai veikia ir niekur nekliūva, ar nėra sulūžusių ar šarpo pažėistų dalių, kurios įtakotų elektros prietaiso veikimą. Jeigu yra gedimai suremontuokite prietaisą. Daugelio nelaimingų atsitikimų priežastis yra blogai prižiūrimi elektros prietaisai.
- f) **Pjovimo įrankiai turi būti aštrūs ir švarūs.** Rūpestingai prižiūrėti elektros prietaisai su aštriais pjovimo įrankiais yra lengviau valdomi ir juos geriau kontroliuoti.
- g) **Elektros prietaisą, papildomus įrankius, darbo įrankius ir t.t. naudokite tik pagal instrukciją, turėdami omeny darbo sąlygas bei atliekamo darbo pobūdį.** Elektros prietaiso naudojimas ne pagal paskirtį gali sukelti pavojingas situacijas.
- h) **Jeigu prietaisas nebuvo naudojamas ilgesnį laiką arba yra naudojamas žemos temperatūros sąlygose, įjunkite jį kelioms minutėms be apkrovos tam, kad tepalas tinkamai pasiskirstytų pavaros mechanizme.**
- i) **Elektros prietaisus valykite minkštu, drėgnu (ne šlapiu) skuduru ir muilu.** Nenaudokite benzino, tirpiklių bei kitų priemonių galinčių pažeisti prietaisą.
- j) **Elektros prietaisą laikykite/transportuokite tik po to, kai įsitikinsite, kad jo visos besisukančios dalys yra užblokuotos ir saugomos originaliomis, specialiai tam skirtomis detalėmis.**
- k) **Elektros prietaisą laikykite sausoje, apsaugotoje nuo dulkių bei drėgmės vietoje.**
- l) **Elektros prietaisą transportuokite originalioje pakuotėje, saugančioje nuo mechaninių pažeidimų.**



ĮSPĖJIMAS! Bendri įspėjimai dėl saugaus įrankio naudojimo.

Remontas:

- a) **Prietaisą turi remontuoti tik kvalifikuotas specialistas, naudojantis tik originalias atsargines dalis.** Tik tokiu atveju elektros prietaiso naudojimas bus saugus.



ĮSPĖJIMAS!

Darbo su elektros prietaisu metu laikykitės pagrindinių saugaus darbo nuorodų. Tokiu būdu išvengsite gaisro, elektros smūgio bei mechaninių susižalojimų pavojaus.



ĮSPĖJIMAS!

Saugaus darbo ELEKTRINIŲ PJŪKLELIŲ nurodymai:

- a) **Darbo metu, kai yra pavojus užkliudyti elektros laidus arba paties prietaiso laidą, elektros prietaisą laikykite už izoliuotus paviršius.** Jeigu yra kontaktas su elektros laidais, tai visos metalinės prietaiso dalys taip pat yra jo įtampa, o tai gali sukelti elektros smūgį.
- b) **Elektros laidų lokalizavimui naudokite tinkamus lokalizavimo prietaisus arba kreipkitės į pastato**

administraciją. Kontaktas su elektros laidais gali būti gaisro bei elektros smūgio priežastimi. Dujų vamzdžio pažeidimas gali sukelti sprogingą. Vandentiekio vamzdžių pažeidimas gali sugadinti aplinkoje esančius daiktus.

- c) **Draudžiama dirbti su medžiagomis, kurių sudėtyje yra asbestas.** Asbestas gali būti navikinių susirgimų priežastimi.
- d) **Darbo vietoje turi būti švaru.** Ypač pavojingi yra medžiagų mišiniai. Lengvos metalo dulksės gali užsidegti arba sprogti.
- e) **Būtina patikimai pritvirtinti apdorojamą daiktą.** Įsitikinkite, kad visi tvirtinimo gnybtai yra užveržti bei patikrinkite, kad jie nebūtų pernelyg laisvi. Apdorojamo daikto pritvirtinimas tvirtinimo mechanizmu arba spaustuvoose didina darbo saugumą.
- f) **Visada nešiokite apsauginius akinius ir naudokite klausos apsaugos priemones.** Pagal būtinybę naudokite kitus asmenines apsaugos priemones:
- apsauginę kaukę, saugančią nuo kenksmingų dulkių;
- apsaugines pirštines, kai asmenys juda, o apdorojamas daiktas turi nelygų paviršių.
- g) **Reguliuojams pasovas (1) pjovimo metu turi būti stabilus.** Užblokuoti asmenys gali lužti arba atmesti apdorojama medžiaga.
- h) **Naudojamos asmenys turi būti geros techninės būklės.** Kreivi arba neaštrūs asmenys gali lužti.
- i) **Elektros prietaisą įjungti prieš tai, kol asmenys spalies apdorojamą medžiagą.** Kitu atveju medžiaga gali būti atmesta, kai naudojamas prietaisas užstigs apdorojamoje medžiagoje.
- j) **Rankas laikyti atokiau nuo pjovimo srities. Nedėkite rankų po apdorojamo daikto.** Jeigu įvyks kontaktas su asmeniu, tai yra susižalojimo pavojus.
- k) **Užbaigus darbą išjunkite elektros prietaisą. Asmenis iš apdorojamos medžiagos ištraukite po to, kai jis baigs suktils.** Tokiu atveju išveskite nelaimingo atsitikimo.
- l) **Pertraukus metu, asmenų keitimo metu, remonto atveju, valymo arba reguliavimo metu atjunkite prietaisą nuo maitinimo.**
- m) **Draudžiama naudotis prietaisu, jeigu jo maitinimo laidas yra pažeistas.** Jeigu laidas yra pažeistas, jokių būdu nelieskite jo; jeigu laidas yra pažeidžiamas darbo metu, iš karto ištraukite jo kištuką iš elektros lizdo. Pažeistas maitinimo laidas gali būti elektros smūgio priežastimi.

DĖMESIO! Jeigu maitinimo laidas bus pažeistas ir bus tuo metu įjungtas į lizdą, tai turi būti pakeistas specialiu laidu arba rinkiniu, prieinamu pas gamintojų arba specialiaame remonto punkte.



- n) **Sūlinis pjūklelis, tai įrenginys turintis lazerinį rodiklį; lazeris 2 klasės pagal EN60825-1:2007.** Draudžiama žiūrėti į lazerio šviesą arba nukreipti lazerio šviesą į žmonių bei gyvūnų akis. Žiūrėjimas į 2 klasės lazerio šviesą nėra žalingas akims su sąlyga, kad trunka ne ilgiau negu 0,25 s. Akies vokų judesiai praktiškai užtikrina natūralią apsaugą. Optinių prietaisų panaudojimas, pav. akinų, žiuronų ne didina akių susižalojimo rizikos.

SIŪLINIO PJŪKLELIO SANDARA IR PASKIRTIS:

Pjūklelis yra antros klasės įrenginys (dviguba izoliacija) su vienfaziu varikliu ir turi elektroninę greičio reguliavimo sistemą. Galimybė reguliuoti greitį bei 4 lygių asmenų pastūmos reguliavimas leidžia optimaliai atlikti pjovimą.

Pjūklelis yra skirtas medienoje ir panašiuose medžiaguose, sintetinėse medžiagose, metalo, keramikos plytelių ir gumos pjovimui. Pjovimo procesas yra atliekamas naudojant tinkamą ašmenį, pritaikytą pagal apdorojamos medžios tipą.

Prietaisais yra skirtas atlikti įprastą pjovimą bei kampinį pjovimą, 45° kampus. Pritaikyta darbu namuose ir nėra skirta ilgam darbu sunkiose sąlygose.

Draudžiama naudoti prietaisą darbams reikalaujantis profesionalių prietaiso panaudojimo. Pjūklelio panaudojimas ne pagal paskirtį yra draudžiamas ir tokiu atveju prarandama garantija, o gamintojas tokiu atveju nėra atsakingas už patirtas žalias.

Bet kokios prietaiso modifikacijos padarytos naudotoju atleidžia gamintoją nuo atsakomybės už žalas patirtas tokiu atveju naudotoju bei aplinkiniams.

Tinkamas naudojimas taip pat apima tinkama pjūklelio priežiūrą, sandėliavimą, transportavimą bei remontą.

Pjūklelio remontą galima atlikti tik specialiuose punktuose nurodytuose gamintojų. Prietaisų, maitinamų elektra remontą gali atlikti tik įgalioti asmenys.

Nepaisant tinkamo prietaiso naudojimo negalima visiškai išvengti rizikos. Galimi rizikos faktoriai:

- ašmenų prisilietimas darbo metu pjūklelio nepadengtoje dalyje;
- apsišūtinimas keičiant ašmenis (darbo metu ašmenys labai įkaista ir tam, kad išvengti apsišūtinimo būtina naudoti apsaugines pirštines);
- apdorojamo daikto arba jo dalių atmetimas;
- ašmenų plyšis/lūžis;
- klausos organų pažeidimas dėl klausos organus apsaugančių premonių nenaudojimo;
- dirbant uždaroje patalpose didelis keiksmingų dulkių kiekis.

KOMPLEKTAVIMAS:

- Pjūklelis - 1 vnt.
- Vedžioklis lygiagretis - 1 vnt.
- Pado antdėklas - 1 vnt.
- Ašmenys - 2 vnt. (metalas, mediena)
- Imbusinis raktas - 1 vnt.
- Rankovė dulkių siurblio prijungimui - 1 vnt.
- Anglies šepetėliai - 2 vnt.
- Dežė transportui - 1 vnt.
- Aptarnavimo instrukcija - 1 vnt.
- Garantinis lapas - 1 vnt.

ĮRENGINIO DALIS:

Įrenginio dalių numeracija atitinka grafinėms piešinims 2-3 puslapiuose aptarnavimo instrukcijos:

Pav. A: 1. Reguluojamas pastovas (0° - 45°)

2. Vedžioklio tvirtinimo sriegiai
3. Prieškontaktinis gaubtas
4. Lazerio gaubtas
5. Lazerinio rodiklio išjungimo/įjungimo mygtukas
6. Žingsninio variklio greičio reguliavimo rankena
7. Rankena su neslystančiu antdėklu
8. Paleidimo jungiklio blokavimo mygtukas
9. Paleidimo jungiklis
10. Maitinimo laidas

11. Magnetinis dėklas ašmenims

12. Rankovė dulkių siurblio prijungimui

13. Pjūklelio pado blokavimo svertas

14. Pjuvenų išputimo išjungimo/įjungimo jungiklis

15. Švytuoklinio judėjimo perjungiklis

16. Pado antdėklas

17. Vedantis ritinėlis

18. Vedžioklis lygiagretis

Pav. B: 19. Ašmenys laikiklis

20. Ašmenys

Pav. G: 21. Tvirtinimo sraigčiai

22. Lazerio maitinimo elementai

23. Lazerinis rodiklis

Pav. H: 24. Pasvirimo kampo skalė

TECHNINIAI DUOMENYS:

Nominali įtampa		230V
Nominalus dažnis		50 Hz
Nominalus pajėgumas		800 W
Greitis be apkovimo		800-3100/min
Žingsnio ilgis		23 mm
Kampinis pjovimas		0° - 45°
Pjovimo gylis	mediena	110 mm
	aliuminio	15 mm
	plienas	10 mm
Lazerinis rodiklis	lazerio klasė	2
	bangos ilgis	650 nm
	išėjimo galia	≤ 1mW
Prietaiso klasė		II
Maitinimo laido ilgis		3 m
Masė (be papildomų įrenginių)		2,65 kg
Akustinio slėgio lygis (LpA), (K=±3dB(A))		88,2 dB(A)
Akustinio pajėgumo lygis (LwA), (K=±3dB(A))		99,2 dB(A)
Vibracija pagal EN 60745 (matavimo paklaida K=1,5 m/s ²)	plieno pjovimas	9,321 m/s ²
	medienos pjovimas	7,898 m/s ²

Pateiktas virpesių lygis yra reprezentatyvus pagrindiniams prietaiso panaudojimams. Jeigu elektros prietaisais bus panaudotas kitiems tikslams arba su kitais papildomais darbo įrankiais bei jeigu nebus tinkamai prižiūrimas, virpesių lygis gali skirtis.

Pateiktos aukščiau priežastys gali padidinti vibracijų lygi darbo metu. Būtina panaudoti papildomas priemones, saugančias naudotoją nuo vibracijų pasekmių, pav.: prietaiso ir darbo įrankių priežiūra, veiksmų eilės nustatymas.

PARUOŠIMAS DARBUI:

1. Įsitikinkite, kad elektros maitinimo šaltinio parametrai atitinka pjūklelio parametrus, nurodytus prietaiso firminėje lentelėje.
2. Įsitikinkite, kad pjūklelio jungiklis yra pozicijoje „išjungtas“.
3. Jeigu naudojamas prailgintuvas, būtina įsitikinti, kad jo parametrai, laidų skersmuo atitinka pjūklelio parametrus. Patariama naudoti kuo trumpesnius prailgintuvus. Prailgintuvas turi būti išvyniotas visame ilgyje.

4. Jeigu yra dirbama su mediena, kuri jau buvo apdorota, atkreipkite dėmesį vinius, sriegius ir t.t.

DĖMESIO! Prieš atliekant nustatymus, keičiant dalis arba prieš padedant laikyti įrenginį būtina ištraukti jo maitinimo laido kištuką iš elektros lizdo.

■ Ašmenų montavimas

Pjūkleliui galima naudoti prieinamus ašmenis su T (tipas A pagal Profix katalogą) tipo antgaliu. Dažniausiai prietaiso komplekte jau yra ašmenys ir priklausomai nuo paskirties gali skirtis jų dydis bei pjovimo dantų tipas. Ant ašmenų komplekto įpakavimo arba pridėtame informaciniame lapelyje gamintojas dažniausiai nurodo ašmenų paskirtį. Be to gali skirtis ašmenų įpakavimo spalvos, priklausomai nuo to kokioms medžiagos pjauti yra skirtos.



DĖMESIO! Prieš montuojant ašmenį ir prieš pradedant visus darbus arba valymą būtina įsitikinti, kad maitinimo laidas yra ištrauktas iš elektros lizdo.

Montuojant ašmenis būtina dėvėti apsaugines pirštines, nes yra susižalojimo pavojus.

Speciali rankena (19) leidžia greitai užmontuoti ašmenis.

- Atitraukite laikiklio žiedą (19) pagal rodyklę (pav. B) taip, kad montavimo griovelis būtų lygiagretus išilginiai pjūklelio ašiai.
- Įdėkite ašmenis (20), dantis turi būti nukreiptos į išorę, iki galo į laikiklio griovelį (19). Paleiskite laikiklio žiedą, kuris automatiškai blokuoja ašmenis (pav. C).

DĖMESIO! Patikrinkite ar ašmenys yra gerai įdėti. Jeigu yra laisvi, tai gali iškristi bei sužaloti prietaiso naudotoją.

- Norėdami išmontuoti ašmenį visus veiksmus atlikite atvirkštine tvarka.

■ Dėklas ašmenims

Iš abejų pjūklelio pusių yra vietos ašmenis (11) laikyti.

- Atidaryti dėklo gaubtą (11), prilaikant už gaubto viršų patraukti į priekį (pav. D).
- Dėkle ašmenis prilaiko magnetas. Norėdami išimti ašmenis, paspauskite vieną iš galų bei išimkite.
- Uždarykite dėklo gaubtą (11).

DĖMESIO! Prieš pradedant darbą įsitinkite, kad ašmenų dėklai yra gerai uždaryti.

■ Pado antdėklas

Įrenginys turi plastikinį pado antdėklą (16), kuris saugo pjaunamą paviršių nuo aprasojimo. Jeigu darbo metu antdėklas pažeidžiamas, pakeiskite jį.

APTARNAVIMAS:

■ Jungimas / išjungimas

- Norėdami paleisti elektros prietaisą paspauskite jungiklį (9) ir laikykite jį paspausta.
- Norėdami užfiksuoti jungiklį pozicijoje „jungtas“ paspauskite jungiklio blokavimo mygtuką (8). Nuolatinio darbo blokavimo mygtukai randasi iš abejų pjūklelio pusių, kas leidžia lengvai valdyti įrenginį dešiniarankiams bei kairiarankiams.
- Norėdami paleisti elektros prietaisą paspauskite jungiklį (9) ir paleisti po to, kai jis yra užfiksuotas blokavimo mygtuku (8), nelgam paspausti ir atlaisvinti.

■ Įžanginis žingsninio variklio greičio parinkimas

Priekinėje viršutinėje pjūklelio rankenos dalyje randasi žingsninio

variklio greičio reguliavimo mygtukas (6). Leidžia tai parinkti pjovimo greitį pagal apdorojamos medžiagos tipą bei darbo sąlygas. Šie parametrai gali būti parinkti optimaliai atliekant praktinius bandymus.

Jeigu žingsninis variklis ilga laiką dirba nedideliu greičiu, tai būtina jį atvėsinti leidžiant dirbti apie 3 minutes maksimaliu greičiu.

■ Švituklinio judesio reguliavimas

Kairioje pjūklelio korpuso pusėje randasi pjūklelio galvutės (funkcija kirtimas) pagalbinio švituklinio judesio reguliavimo mygtukas (15). Ši papildoma funkcija leidžia optimizuoti darbo procesą, apdorojant tam tikrą medžiagą.

Švitukliniai judesiai turi keturius diapazonus ir galima jas nustatyti k jungikliu (15). Perjungti galima darbo metu:

Lygis 0 – Vibravimas išjungtas

Lygis 1 – Mažas vibravimo greitis

Lygis 2 – Vidutinis vibravimo greitis

Lygis 3 – Didelis vibravimo greitis

Rekomenduojame:

- Vibravimo diapazonas turi būti labai mažas (arba iš vis išjungtas) kuo lygesnis turi būti kraštas pjaunamos medžiagos.
- Dirbant su plonomis medžiagomis, pav. skarda išjungti švituklinį judesį.
- Dirbant su kietomis medžiagomis, pav. plienas švitukliniai judesiai turi būti nedidelio greičio.
- Dirbant su minkštomis medžiagomis bei pjaunant pagal pluošto kryptį dirbkite maksimaliu judesiu greičiu.
- Jeigu dirbate su peilinio tipo ašmeniu, švituklinių judesijų funkciją išjungti.

Optimalius parametrus galima parinkti tik atliekant praktinius bandymus.

Pjaunant metalą rekomenduojama naudoti aušinimo ir tepimo skystį.

■ Prieškontaktinis gaubtas

Esantis korpuso prieškontaktinis gaubtas (3) saugo nuo netikėto ašmenų kontakto darbo metu ir negalima jo šalinti.

■ Drožlių nupūtimo įtaisais

Drožlių nupūtimo įtaisais nukreipia oro srautą link pjūklelio ir nupučia drožles nuo pjūvimo linijos.

Drožlių nupūtimo įtaiso jungimas: perjungdami jungiklį (14) į padėtį on (įjungimo).

Drožlių nupūtimo įtaiso išjungimas: perjungdami jungiklį (14) į padėtį off (išjungimo).

■ Pjuvenų ir drožlių siurbimas (žiūrėkite pav. E)

Pjūklo komplekte yra rankovė (12), leidžiantis prijungti siurblių prie pjūklelio, kas leidžia siurbti drožlius ir siurbimas. Siurbliu turi atitikti apdoramos medžiagos tipui.

DĖMESIO! Prieš pajungiant siurblių, įsitinkite, kad pjūklelio maitinimo laidas yra atjungtas nuo maitinimo.

• Įdėkite sujungimo movą (12) į dulkių nuvedimo angą ir prijunkite siurblio vamzdį.

DĖMESIO! Pjuvenų traukimo metu pjuvenų išmetimo jungiklis (14) turi būti off pozicijoje (išjungtas).

■ Lygiagretis pjovimas (žiūrėkite pav. F)

Atlaisvinkite montavimo varžtus (2) ir įdėkite lygiagrečio pjovimo

vedžioklį (18) per laikiklius pade (1). Nustatyti norimą pjovimo plotį naudojant tam skalę vidinėje vedžioklio pusėje. Užvežti tvirtinimo sriegius ir atlikti pjovimą.

Lazerinis rodiklis

Lazerinis rodiklis (23) rodo pjovimo liniją. Pjaunamos medžiagos paviršiuje pažymėkite pjovimo liniją, pjovimo metu veskite lazerio šviesą pagal šią liniją.

- Norėdami išjungti arba įjungti lazerinį rodiklį paspauskite jungiklį įjungti/išjungti (5).

Prieš pradėdami darbą patikrinkite ar pjovimo liniją yra rodoma gerai. Lazerinis rodiklis gali pakeisti savo nustatymus dėl vibravimo pjovimo metu.

DĖMESIO: Po darbo pabaigos būtina išjungti lazerinį rodiklį.

■ Maitinimo elementų keitimas (žiūrėkite pav. G)

Lazerinis rodiklis (23) yra maitinamas dviem šarminiais elementais AG13 tipo, 1,5V. Maitinimo elementus būtina keisti, kai lazerio šviesa tampa neriški.

- Norėdami pakeisti elementus nuimkite lazerio gaubtą (4), atsukant varžtus (21) ir patraukiantį priekį.
- Išimkite elementus (22) ir įdėkite naujus elementus AG13 tipo, įsitikinkite, kad sutampa (+) ir (-). Uždėkite gaubtą (4).

DĖMESIO! Neišmeskite panaudotų elementų kartu su kitomis atliekomis. Panaudotus elementus galima palikti tik specialiai tam skirtuose punktuose.

■ Išpjovimas

- Gražtu išgręžti 10 mm skylę pjovimo paviršiuje.
- Įvesti ašmenį į skylę ir pradėti pjovimą.

■ Pjūklelio pado nustatymas įstrižiniam pjovimui (pav. H)

DĖMESIO! Negalima naudotis pjūkleliu jeigu jo padas yra nuimtas arba blogai prisuktas.

Pjūklelio padas (1) gamintoju yra nustatytas vidutinėje padėtyje (0°) ir gali būti pasuktas įstrižiniam pjovimui į dešinę arba į kairę 45° kampu.

DĖMESIO! Prieš atliekant pado kampo nustatymą įsitikinkite, kad maitinimo laido kištukas yra ištrauktas iš elektros lizdo.

1. Patraukite pjūklelio pado blokavimo svertą (13) į priekį ir atlaisvinkite padą.
2. Patraukite padą (1) į priekį.
3. Nustatykite reikalingą kampą 22,5° arba 45°; naudokitės skale (24).
4. Pastumkite padą (1) iki galo.
5. Perstatykite pado blokavimo svertą (13) iki galo tam, kad užblokuoti pjūklelio padą (1).



DĖMESIO! Patikrinti ar pjūklelio pastovas yra gerai užfiksuotas. Judantis, atlaisvintas pastovas gali būti nelaimingo atsitikimo darbu metu priežastimi.

Norėdami nustatyti padą (1) tiesiam pjovimui visus veiksmus atlikite dar kartą, nustatant padą 0° kampu.

DARBOPATARIMAI:

Pagrindinės pjūklelio naudojimo taisyklės:

- Pjaunant medžiagą prispauskite ją, bet ne per stipriai; nepekraukite pjūklelio.
- Permelyg didelis pjūklelio spaudimas gali sutrikdyti tolygų judėjimą ir gali sulėtinti arba nutraukti pjovimo procesą.
- Pjovimo metu pjūklelio pastovas visu savo paviršiumi turi būti

atremtas į apdorojamąją medžiagą.

- Norėdami išpjauti kokios nors formos angą kietoje medžiagoje, tai būtina iš karto išgręžti maža skilutė, kas leis įdėti ašmenį. Kitu atveju yra grėsmė, kad ašmuo bus atmetas ir sulaužytas;
- Pjaunant formas aštriais kampais arba lanko pavidalo (nedidelis spindulys) formas geriausiai naudoti siaurus ašmenis.
- Vedžioklio naudojimas palengvina pjovimo procesą.

LAIKYMAS IR PRIEŽIŪRA:

Prietaisą laikykite vietoje nepasiekiamoje vaikams; prietaisas turi būti švarus bei saugomas nuo dulkių ir drėgmės. Laikymo sąlygos turi užtikrinti saugumą nuo mechaninių pažeidimų bei oro sąlygų poveikio.

Pjūklelis beveik nereikalauja specialios priežiūros. Bet periodiškai ašmenų ritinio (17) tepymas alyva užtikrins ilgesnį naudojimą.

Reguliariai tikrinkite pjūklelio korpuso bei pado varžtus. Jeigu atsilaisvino, užveržkite.

Po darbo rekomenduojama pripūsti visas ventilacines angas ir ašmenų laikiklio suslėgtu oru. Tokiu būdu bus saugomi guoliai, pašalintos dulksės, kurios gali blokuoti variklį.

Prietaiso korpusą valykite drėgnu skuduru ir nedideliu muilo kiekiu ir po to išvalyti sausu skudurėliu. Nenaudokite jokių valymo priemonių, tirpiklių, nes jie gali apgadinti plastikines dalis.

Į prietaiso vidų negali patekti vanduo.

Nešvarumus iš lazerinio rodiklio angos atsargiai valykite lazdele su vata; naudokite priemonės skirtas stiklo valymui.

TIPISKI GEDIMAI IR JŲ ŠALINIMAS:

Elektros prietaiso neįjunkite arba sustabdykite darbą:

- patikrinkite ar maitinimo laidas (10) yra tinkamai prijungtas bei patikrinkite ar elektros lizde yra įtampa;
- patikrinkite anglies šepetėlių būklę ir pagal poreikį pakeiskite.

DĖMESIO! Anglies šepetėlius keitimą gali atlikti tik elektrikas.

- nepaisant to, kad yra maitinimas ir anglies šepetėliai yra geros būklės, elektros prietaisas toliau neveikia, tokiu atveju būtina jį išsiųsti į aptarnavimo servisą nurodytu garantiniame lape adresu.

TRANSPORTAS:

Pjūklelį transportuokite ir laikykite specialiai tam skirtoje dėžėje, saugančioje nuo drėgmės, dulkių ir smulkių objektų įsikverbimo, ypač saugokite ventilacines angas. Smulkūs elementai, patenkantis į korpusą gali pažeisti variklį.

GAMINTOJAS:

PROFIX Sp. z o.o.,

Marywilśka 34,

03-228 Warszawa, Lenkija

Šis prietaisas atitinka šalies bei Europos reikalavimus bei visus saugos reikalavimus.

DĖMESIO! Prietaiso remontą gali atlikti tik kvalifikuotas personalas, naudojant tik originalias atsargines dalis.

APLINKOS APSAUGA:

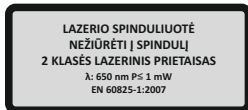


DĖMESIO: Pateiktas simbolis reiškia, kad panaudotus prietaisus draudžiama išmesti kartu su kitomis atliekomis (už pažeidimą gresia piniginė bauda). Panaudoti elektros prietaisai bei elektroninės dalis ir komponentai turi neigiamą poveikį aplinkai ir žmonių sveikatai.

Namų ūkis turėtų prisidėti prie panaudotos įrangos utilizavimo bei pakartotino medžiagų panaudojimo (perdirbimo). Lenkijoje ir Europoje yra kuriama arba jau veikia panaudotos įrangos surinkimo sistema. Todėl visi paminėtos įrangos pardavimo taškai yra įpareigoti priimti panaudotą įrangą. Be to yra specialūs panaudotos įrangos priėmimo taškai.

PIKTOGRAMAI:

Paveikslėlių esančių prietaiso firminėje lentelėje ir informaciniuose lipdukuose paaiškinimas.



– **«Prieš įjungdami perskaitykite naudojimo instrukciją!»**



– **«Visada dėvėkite apsauginius akinius!»**



– **«Naudokite klausos apsaugos priemones!»**



– **«Naudokite dulkių kaukę!»**




PROFIX įmonė siekia tobulinti savo produktus, todėl gali keistis produktų specifikacijos. Apie šiuos pasikeitimus įmonė nėra įpareigota nepranešti. Paveikslėliai esantis aptarnavimo instrukcijoje tai tik pavyzdžiai bei gali skirtis nuo nusipirkto prietaiso.

Ši instrukcija yra apsaugojama autoriaus teise. Kopijavimas/plėtojimas be PROFIX Sp. z o.o. leidimo raštu draudžiamas.

**PIRMS DARBA SĀKUMA NEPIECIEŠAMS IEPAZĪTIES AR ŠO INSTRUKCIJU.**

Saglabā instrukciju varbūtējai turpmākai lietošanai.



BRĪDINĀJUMS! Nepieciešams izlasīt visus brīdinājumus apzīmētus ar simboliem , kuri attiecas uz lietošanas drošību un visus lietošanas drošības norādījumus.

Neievērojot zemāk uzrādītos drošības brīdinājumus un norādījumus attiecībā uz drošību var būt par elektriskās strāvas triecienu, ugunsgrēku un/vai nopietnu traumu iemesls.

Ievērot visus brīdinājumus un norādījumus attiecībā uz drošību, lai tos turpmāk varētu izmantot.

Zemāk uzrādītos brīdinājumos „elektroinstruments” nozīmē elektroinstrumentu, kurš tiek barots no elektriskā tīkla (ar barošanas vadu) vai elektroinstruments barots no akumulatora (bezvadu).



BRĪDINĀJUMS! Vispārējie instrumenta drošas lietošanu norādījumi.

Darba vietas drošība:

- Darba vietā nepieciešams uzturēt kārtību un labu apgaismojumu. Nekārtība un slikts apgaismojums ir negadījumu iemesls.
- Nedrīkst lietot elektroinstrumentu sprāgstošā, viegli uzliesmojošā, gāzu un putekļainā vidē. Elektroinstrumenta darbības laikā rodas dzirksteles, no kurām var aizdegties putekļi un tvaiki.
- Vietā, kur tiek lietoti elektroinstrumenti nevar atrasties bērni un novērotāji. Novēršot uzmanību var zaudēt kontroli par elektroinstrumentu.



BRĪDINĀJUMS! Vispārējie instrumenta drošas lietošanu norādījumi.

Elektriskā drošība:

- Elektroinstrumenta kontakt Dakšīņām jābūt pielāgotām pie kontaktligzdām. Nekad nekādā gadījumā nedrīkst mainīt kontakt Dakšīņu. Nedrīkst lietot nekādus pagarinātājus gadījumā, ja elektroinstruments ir apgādāts ar vadu ar aizsardzības iezemējuma dzīslu. Ja netiek darītas kontakt Dakšīņu un kontaktligzdu izmaiņas, tas samazina elektriskā triecienu risku.
- Nepieciešams izvairīties no iezemētām virsmām vai savienotām ar masu, kā piemēram caurules, sildītāji, centrālāpkrures radiatoru un dzesinātāji. Gadījumā, ja notiek kontakts ar iezemētām vai ar masu savienotām daļām pieaug elektriskās strāvas triecienu risks.
- Nedrīkst pakļaut elektroinstrumentus uz lietus vai mitruma iedarbību. Gadījumā, ja elektroinstrumentā iekļūst ūdens pieaug elektriskās strāvas triecienu risks.
- Nedrīkst pārslogot savienojuma vadus. Nekad nedrīkst lietot savienojuma vadu elektroinstrumenta pārnēsāšanai, vilksānai vai izvilkot kontakt Dakšīņu no kontaktligzdas aiz vada. Nepieciešams turēt savienojuma vadu tālu no siltuma avotiem, eļļainām, asām šķautnēm vai kustīgām daļām.

Bojāti vai sapīti savienojuma vadi palielina elektriskās strāvas triecienu risku.

- Gadījumā, ja elektroinstruments tiek lietots ārpusē, savienojuma vadus nepieciešams pagarināt ar pagarinātājiem, kuri ir piemēroti darbam ārpusē. Lietojot pagarinātājus piemērotus darbam ārpusē samazinās elektriskās strāvas triecienu risks.
- Gadījumā, ja ir nepieciešama lietot elektroinstrumentu mitrā vidē, par sprieguma aizsardzību nepieciešams lietot strāvas starpības ierīci (RCD). Lietojot RCD samazinās elektriskās strāvas triecienu risks.



BRĪDINĀJUMS! Vispārējie instrumenta drošas lietošanu norādījumi.

Individuālā drošība:

- Šī ierīce nav piemērota lietot cilvēkiem (tai skaitā bērniem) ar ierobežotām fiziskām, jūtības un psihiskām spējām, vai cilvēkiem bez ierīces darbības pieredzes vai zināšanām, izņemot, ja tas notiek uzraudzībā vai saskaņā ar ierīces lietošanas instrukciju, ar kuru ir iepazinušās par drošību atbildīgas personas.
- Elektroinstrumenta lietošanas laikā nepieciešams būt tālredzīgiem, novērot kas notiek un saglabāt skaidru saprātu. Nedrīkst lietot elektroinstrumentu noguruma laikā vai narkotisku vielu, alkohola vai zāļu iedarbībā. Neuzmanības mirklis strādājot ar elektroinstrumentu var radīt nopietnas ķermeņa traumas.
- Nepieciešams lietot individuālos aizsardzības līdzekļus. Vienmēr nepieciešams lietot aizsargbrilles. Lietojot attiecīgos apstākļos aizsardzības līdzekļus, tādas kā putekļu maskas, neslidošus apavus, ķiveres vai dzirdes aizsardzības līdzekļus, samazināsies individuālās traumas.
- Nepieciešams izvairīties no neparedzētām kustībām. Pirms pieslēgšanas pie barošanas avota un/vai pirms akumulatora pieslēgšanas kā arī pirms tam, kad paceļam vai pārceļam ierīci nepieciešams pārliecināties, ka elektroinstrumenta slēdzis atrodas izslēgšanas stāvoklī. Pārnēsāt elektroinstrumentu ar pirkstu uz slēdža vai barošanas tīklā pieslēgtu elektroinstrumentu pie ieslēgta slēdža var būt par negadījuma iemesls.
- Pirms elektroinstrumenta palaišanas nepieciešams novākt visas atslēgas. Atslēga atstāta rotējošā elektroinstrumenta tuvumā var radīt individuālas traumas.
- Nedrīkst pārlieku tālu izlikties. Visu laiku nepieciešams stāvēt stabili un saglabāt līdzsvaru. Tas dos iespēju neparedzētās situācijās labāk kontrolēt elektroinstrumentu.
- Nepieciešams attiecīgi ģērbties. Nedrīkst nēsāt vaļīgas apģērbus vai rotas lietas. Nepieciešams turēt savus matus, apģērbu un cimdus tālu no kustīgām daļām. Vaļīgs apģērbs, rotas lietas vai gari mati var tikt aizķerti ar kustīgām daļām.
- Ja ierīce ir pielāgota ārējai putekļu sūkšanai un putekļu uzsūkšanai, nepieciešams pārliecināties, ka tie ir pieslēgti un pareizi lietoti. Lietojot putekļu sūcēju var samazināt putekļu

ieelpošanas bīstamību.



BRĪDINĀJUMS! Vispārējie instrumenta drošas lietošanu norādījumi.

Lietošana un gādība par elektroinstrumentu:

- Nedrīkst pārslēgt elektroinstrumentu. Nepieciešams piemērot elektroinstrumentu veiktajam darbam.** Pareizs elektroinstrumenta nodrošinās labāku un drošāku darbu pie slodzes, kādam tas tika projektēts.
- Nedrīkst lietot elektroinstrumentu, ja slēdzis to neieslēdz un neizslēdz.** *Katrs elektroinstrumenta, kuru nevar ieslēgt vai izslēgt ar slēdzi ir bīstams un to nepieciešams labot.*
- Nepieciešams atvienot elektroinstrumenta kontaktdakšīņu no barošanas avota un/vai atslēgt akumulatoru pirms tiek veikta jebkāda uzstādīšana, detaļu maiņa vai instrumenta glabāšana.** Tādas drošības darbības reducē neparedzētu elektroinstrumenta palaišanu.
- Nelietotu elektroinstrumentu nepieciešams glabāt bērniem nepieejamās vietās un nedrīkst atļaut personām, kuras nav iepazinušās ar elektroinstrumentu vai šo lietošanas instrukciju lietot elektroinstrumentu.** *Elektroinstrumenti ir bīstami neapmācītu lietotāju rokās.*
- Elektroinstrumentu nepieciešams konservēt. Nepieciešams pārbaudīt asu sakritību vai kustīgo daļu iekļīšanās, detaļu plīsumus un visus apstākļus, kuri varētu ietekmēt elektroinstrumenta darbu.** Ja tiek konstatēti bojājumi, elektroinstrumentu pirms lietošanas nepieciešams salabot. *Daudzu negadījumu iemesls ir nepareiza elektroinstrumenta konservācija.*
- Griezējinstrumentiem jābūt asiem un tīriem.** *Attiecīgi uzturēti asi griezējinstrumenta asmeņi samazina iekļīšanās iespējas un atvieglo apkalpošanu.*
- Elektroinstrumentu, aprīkojumu, darba instrumentus un tml. nepieciešams lietot saskaņā ar šo instrukciju, ņemot vērā darba apstākļus un veicamo darbu.** *Lietot elektroinstrumentu tam neparedzētā veidā var novest pie bīstamām situācijām.*
- Zemās temperatūrās vai pēc ilgāka nelietošanas laika, ieteicams uz pāris minūtēm ieslēgt elektroinstrumentu bez slodzes, lai piedziņas mehānismā sāktu pareizi darboties smērēlļa.**
- Elektroinstrumentu tīrīšanai lietot mikstu, mitru (ne slapju) drānu un ziepes. Nelietot benzīnu, šķīdinātājus un citus līdzekļus, kuri varētu sabojāt ierīci.**
- Elektroinstrumentu nepieciešams glabāt / transportēt iepriekš pārliecinoties, ka visas kustīgās daļas ir nobloķētas un nodrošinātas pret atbloķēšanos ar oriģināliem šim nolūkam paredzētiem elementiem.**
- Elektroinstrumentu nepieciešams glabāt sausā, no putekļiem un mitruma sargātā vietā.**
- Elektroinstrumenta transportēšanu jāveic oriģinālā iepakojumā, kurš pasargā no mehāniskiem bojājumiem.**



BRĪDINĀJUMS! Vispārējie instrumenta drošas lietošanu norādījumi.

Remonts:

- Elektroinstrumenta remontu nepieciešams veikt tikai

kvalificētam speciālistam, lietojot tikai oriģināls rezerves daļas. *Tas elektroinstrumenta lietotājam nodrošinās turpmāku drošību.*



BRĪDINĀJUMS!

Darba laikā ar elektrisko instrumentu ieteicams vienmēr ievērot galvenos drošības principus, lai izvairītos no ugunsgrēka, elektriskās strāvas trieciena vai mehāniskām traumām.




BRĪDINĀJUMS!

FIGŪRZĀGĪS, īpašie ierīces lietošanas drošības norādījumi:

- Veicot darbus, kur darba instruments varētu trāpīt uz slēptiem elektriskiem vadiem vai paša barošanas vadu, elektroinstrumentu nepieciešams turēt pie izolētas roktura virsmas.** Kontakts ar barošanas tīkla vadu var radīt sprieguma pārnešanu uz elektroinstrumenta metāla daļu, kas var radīt elektriskās strāvas triecienu.
- Nepieciešams lietot attiecīgas meklēšanas ierīces, lai lokalizētu slēptus barošanas vadus vai lūgt objekta administrācijas palīdzību.** Kontakts ar zem sprieguma atdrošiem vadiem var radīt ugunsgrēku un elektriskās strāvas triecienu. Gāzes vada bojājums var radīt sprādzienu. Ūdensvada bojājums rada materiālos zaudējumus.
- Nedrīkst apstrādāt azbestu saturošus materiālus.** *Azbests rada vēža slimību.*
- Darba vietu nepieciešams uzturēt tīru.** *Materiālu maisījumi ir sevišķi bīstami. Metāla vieglie putekļi var aizdegties un eksplodēt.*
- Apstrādājamo priekšmetu nepieciešams nostiprināt.** *Pārliecināties, ka visi stiprinājumi ir nofiksēti un verificēti, lai nebūtu pārāk liela brīvģājiena. Nostiprināt apstrādājamo priekšmetu stiprināšanas ierīcē vai skrūvspīlēs ir drošāk nekā turēt rokās.*
- Vienmēr nepieciešams lietot aizsargbrilles un dzirdes aizsardzības līdzekļus. Lietot, kad tas ir nepieciešams attiecīgu individuālās aizsardzības līdzekļus:**
 - aizsargmasku, lai samazinātu kaitīgo putekļu ieelpošanu,
 - aizsargcimdus, kad asmens ir kustībā un tiek manipulēts ar abrazīvu materiālu.
- Nepieciešams uzmanīties, lai griešanas laikā regulējamā pamatne (1) būtu rūpīgi piestiprināta.** *Bloķēts asmens var salūzt un radīt atmešanu.*
- Nepieciešams lietot tikai nebojātus asmeņus.** *Salocīti vai neasi asmeņi var salūzt un radīt atmešanas spēku.*
- Elektroinstrumentu ieslēgt pirms asmeņu kontakta ar materiālu.** *Pretrēja gadījumā pastāv atmešanas bīstamība, kad lietotais instruments iebloķējas apstrādājamā priekšmetā.*
- Rokas nepieciešams turēt tālu no griešanas zonas. Nelikt tās zem apstrādājamā priekšmeta.** *Kontaktā ar asmeni pastāv ievainošanās bīstamība.*
- Pēc darba beigām elektroinstrumentu nepieciešams izslēgt.** *Asmeņi drīkst izņemt no apstrādājamā materiāla tikai tad, kad ir nekustīgs. Tādā veidā nenotiks atmešana un elektroinstrumentu var droši nolikt.*
- Māšīnu nepieciešams atslēgt no elektriskā tīkla darba pārtraukuma, asmeņu maiņas, remonta, tīrīšanas un regulēšanas laikā.**

m) **Nedrīkst lietot elektroinstrumentu ar bojātu barošanas vadu. Nedrīkst pieskarties pie bojāta vada. Gadījumā, ja vads tiek bojāts darba laikā, nepieciešams izvilkt kontaktdakšīņu no kontaktligzdas. Bojāti vadi palielina elektriskās strāvas trieciena risku.**

UZMANĪBU! Ja neatvienojamais barošanas vads tiek bojāts, to nepieciešams aizvienot ar speciālu vadu vai komplektu, kurš pieejams pie ražotāja vai specializētā remonta darbnīcā.

n)  **Figūrzāģis ir ierīce aprīkota ar lāzera rādītāju, 2 klases lāzers atbilstoši EN 60825-1:2007. Nedrīkst skatīties lāzera kūli un virzīt lāzera kūli uz cilvēkiem kā arī dzīvniekiem tieši acīs.** Skatīties 2 klases emitētā lāzera starā nav kaitīgi, ja tas ilgst ne ilgāk kā 0,25 s. Acu plakstiņu aizvērsanas reakcija būtībā dod pietiekamu aizsardzību. Lietojot optiskās ierīces, piem. brilles, binokļus nerada paaugstinātu acu traumu rašanās risku.

FIGŪRZĀĢA UZBŪVE UN PIELIETOJUMS:

Asmeņu figūrzāģis ir otrās aizsardzības klases ierīce (dubultā izolācija), ar vienfāzes dzinēja piedziņu un aprīkots ar elektronisko darbības ātruma regulēšanu. Ātruma kā arī 4-pakāpiju asmens padeves regulēšana dod iespēju optimāli efektīvi veikt griešanas procesu.

Figūrzāģis paredzēts griešanas un figūrgriešanas veikšanai kokā un kokveidīgos materiālos, plastmasā, metālā, keramiskās fizēzes un gumijā. Griešanas process tiek realizēts ar attiecīgu asmeni piemērotu apstrādājamam materiālam.

Ierīce ir piemērota taisnai un slīpai līdz 45° griešanai. Piemērota mājas un rūpniecības vidējas intensitātes darbiem. Nav piemērots ilglaicīgai darbībai smagos apstākļos.

Nedrīkst lietot instrumentu darbos, kur nepieciešama profesionālo ierīču pielietošana. Katra figūrzāģa lietošana neatbilstoši augstāk uzrādītajam pielietojumam ir aizliegta un noved līdz garantijas zaudēšanai kā arī ražotājs neatbild par tāda veidā radītiem zaudējumiem.

Jebkādas ierīces modifikācijas, kuras veic lietotājs atbrīvo ražotāju no atbildības par bojājumiem un zaudējumiem, kuri nodarīti lietotājam un apkārtējiem.

Pareiza figūrzāģa lietošana attiecas arī uz konservāciju, glabāšanu, transportēšanu un remontu.

Figūrzāģi drīkst labot tikai ražotāja uzrādītos servisa punktos. No tikla barotas ierīces labo tikai pilnvarotas personas.

Neskatoties uz pielietojumam atbilstošu lietošanu nevar pilnībā izslēgt atsevišķus paliekošā riska elementus. Ņemot vērā mašīnas konstrukciju un uzbūvi var rasties sekojošas bīstamības:

- Pieskāšanās pie asmens darba laikā nepārsēgtā figūrzāģa zonā;
- Aplaušanās mainot asmeni (darba laikā asmens ļoti sakarst, lai izvairītos no applaušanās mainot asmeni nepieciešams lietot aizsargcimdus);
- Apstrādājamā priekšmeta vai tā daļas atmešana;
- Asmens pflisums/salūšana;
- Dzirdes pasliktināšanās gadījumā, ja netiek lietoti dzirdes aizsardzības līdzekļi;
- Veselībai kaitīgā koka putekļu emisija veicot darbus slēgtās telpās.

KOMPLEKTĀCIJA:

- Figūrzāģis - 1 gab.
- Paralēlā vadotne - 1 gab.
- Pēdas uzliktnis - 1 gab.
- Zāģi - 2 gab. (metāls, koks)

- Gala atslēga - 1 gab.
- Putekļu sūcēja savienojums - 1 gab.
- Oglīšu sukuks - 2 gab.
- Transportēšanas koferis - 1 gab.
- Lietošanas instrukcija - 1 gab.
- Garantijas karte - 1 gab.

IERĪCES ELEMENTI:

Ierīces elementu numerācija attiecas uz grafisko attēlu, kurš atrodas apkalpošanas instrukcijas 2-3 lappusēs:

- Zīm.A:**
1. Regulējama pamatne (0° - 45°)
 2. Vadotnes stiprināšanas skrūves
 3. Pret kontakta pārsegs
 4. Lāzera pārsegs
 5. Lāzera rādītāja slēdzis iesl./izl.
 6. Gājienu ātruma regulēšana
 7. Rokturis ar neslidošu pārvalku
 8. Slēdža bloķēšana
 9. Slēdzis
 10. Barošanas vads
 11. Zāģi magnētiskā glabāšanas kastē
 12. Putekļu sūcēja savienojums
 13. Figūrzāģa pēdas bloķēšanas svira
 14. Skaidu izpūšanas ieslēgšana/izslēgšana
 15. Svārstību kustības slēdzis
 16. Pēdas uzliktnis
 17. Vadošais rullītis
 18. Paralēlā vadotne
- Zīm.B**
19. Asmeņu turētājs
 20. Asmens
- Zīm.G:**
21. Stiprināšanas skrūves
 22. Lāzera barošanas baterija
 23. Lāzera rādītājs
- Zīm.H:**
24. Slipuma leņķa skala

TEHNISKIE DATI:

Spriegums	230V	
Frekvence	50 Hz	
Nominālā jauda	800 W	
Darba ātrums	800-3100/min	
Gājienu garums	23 mm	
Griešana zem leņķa	0° - 45°	
Griešanas dziļums:	koks	110 mm
	alumīnijs	15 mm
	tērauds	10 mm
Lāzera rādītājs:	lāzera klase	2
	lāzera viļņu garums	650 nm
	lāzera jauda	≤ 1mW
Ierīces klase	II	
Barošanas vada garums	3 m	
Svars	2,65 kg	
Akustiskā spiediena līmenis (LpA), (K=±3dB(A))	88,2 dB(A)	
Akustiskās jaudas līmenis (LwA), (K=±3dB(A))	99,2 dB(A)	
Vibrācijas līmenis atbilst. normai: EN 60745 (K=1,5 m/s ²)	griešana koksnē	9,321 m/s ²
	griešana metālā	7,898 m/s ²

Uzrādītais vibrācijas līmenis ir reprezentatīvs elektroinstrumenta pamata lietošanai. Ja elektroinstrumenti tiek lietoti citos nolūkos vai ar citiem darba instrumentiem, vai arī ja nebūs pietiekami konservēti, vibrācijas līmenis var atšķirties no uzrādītā. Augstāk uzrādītie iemesli var radīt vibrācijas ekspozīcijas palielināšanos visā darba laikā.

Nepieciešams realizēt papildus drošības līdzekļus, kuri pasargās operatoru no vibrācijas ekspozīcijas, piem.: elektroinstrumenta un darba instrumenta konservācija, atbilstošas roku temperatūras nodrošināšana, darba operāciju veikšanas secības noteikšana.

SAGATAVOŠANA DARBAM:

1. Pārlicināties, ka barošanas avota parametri atbilst parametriem uzrādītiem uz figūrīgā plāksnītes.
2. Pārlicināties, ka figūrīgās slēdzis atrodas ieslēgšanas stāvoklī.
3. Strādājot ar pagarinātāju nepieciešams pārlicināties, ka pagarinātāja parametri, vadu šķēsgriezums atbilst figūrīgā parametriem. Ieteicams lietot pēc iespējas īsus pagarinātājus. Pagarinātājam jābūt pilnībā attītam.
4. Gadījumā, ja apstrādājam jau iepriekš apstrādātu koka materiālu uzmanities uz svešiem elementiem, piem. naglas, skrūves un tml.

UZMANĪBU! Pirms katra uzstādījuma, detaļu maiņas vai glabāšanas nepieciešams atvienot kontaktdakšīnu no elektroinstrumenta barošanas avota.

Asmens montāža

Figūrīgajam var lietot pārdošanā pieejamus visāda veida asmeņus ar T tipa stiprinājumu (tips A atbilstoši Profix katalogam). Ražotāji visbiežāk piedāvā asmeņu komplektus atkarībā no pielietojuma, tie var atšķirties pēc āvda asmeņu komplektus atkarībā no pielietojuma, tie var atšķirties ar izmēru un griezējumu veidu. Uz asmeņu komplektu iepakojuma vai ražotāja pievienotā skrejlapā parasti tiek informēti par konkrēto asmeņu pielietojumu. Paši asmeņi bez tam var būt apzīmēti ar krāsām, dažādām priekš dažādām griešanai paredzētiem materiāliem.



UZMANĪBU! Pirms asmens montāžas un visāda veida konservācijas darbiem nepieciešams pārlicināties, ka figūrīgā barošanas vads ir atvienots no barošanas avota.

Iestiprinot zāģa asmeņus, uzvelciet aizsargcimdus. Ķermeņa daļu saskaršanās ar zāģa asmeņiem var būt par cēloni savainojumam.

Speciālais rokturis (19) nodrošina ātru zāģa montāžu.

- Atvilkt roktura (19) rullīti bultiņas virzienā (zīm. B), tā, lai stiprināšanas riēva atrastos paralēli figūrīgā garenasij.
- Ielikt izvēlēto zāģi (20), ar zobiem vērstiem uz ārpusi, līdz atdurei roktura (19) rievā. Atlaist roktura rullīti, kurš automātiski bloķē zāģi (zīm. C).

UZMANĪBU! Nepieciešams kontrolēt vai asmens ir labi stiprināts. Vajāgs asmens var izkrist un ievainot operatoru.

- Asmens atbrīvošanai nepieciešams rīkoties atgriezeniskā kārtībā.

Zāģi glabāšanas kastēs

Abās figūrīgā pusēs atrodas integrētās magnētiskās zāģu kastes (11), kurās var uzglabāt zāģus.

- Atvērt kastes (11) vāku, turēt fiksatoru vāka augšpusē un pavilkt to uz ārpusi (zīm. D).
- Zāģi kastē tiek stiprināti ar magnētiskās jostīņas palīdzību. Lai izņemtu zāģi, nepieciešams nospiegt vienu no tā galiem un izņemt to aiz paceltās daļas.
- Aizvērt zāģu glabāšanas kastes vāku (11).

UZMANĪBU! Pirms darba sākuma pārlicināties, ka kastes ir labi aizvērtas.

Pēdas uzliktnis

Ierīce ir aprīkota ar pēdas (16) plastmasas uzliktni, kura pasargā no grieztās virsmas saskrāpēšanas. Ja darba laikā uzliktnis tiek sabojāts to nepieciešams apmainīt ar jaunu.

APKALPOŠANA:

Ieslēgšana/Izslēgšana

- Lai ieslēgtu elektroinstrumentu nepieciešams nospiegt slēdzi (9) un turēt nospiegtu.
- Lai bloķētu slēdzi ieslēgšanas stāvoklī nepieciešams nospiegt slēdža bloķēšanu (8). Darba bloķēšanas slēdzis ir pieejams abās figūrīgā pusēs un dod iespēju to viegli un ērti apkalpot personām ar labo kā arī kreiso roku.
- Elektroinstrumentu izslēgšanai nepieciešams atbrīvot slēdzi (9), vai ja tas ir bloķēts ar bloķēšanu (8), nospiežot to uz brīdi un atlaist.

Sākotnējā ātruma izvēle

Figūrīgā roktura priekšējā daļā atrodas gājiņa ātruma regulēšana (6). Tas dod iespēju izvēlēties griešanas ātrumu, kurš atkarīgs no apstrādājamā materiāla veida kā arī darba apstākļiem un var tikt optimāli izvēlēts praktisku izmēģinājumu rezultātā.

Pēc ilgāka daba ar nelielu ātrumu atdesēt ierīces dzinēju, ieslēgt to un dot iespēju strādāt apm. 3 minūtes bez slodzes ar maksimālo ātrumu.

Gājiņa ātruma regulēšana

Uz figūrīgā korpusa, kreisajā pusē atrodas figūrīgā galvas gājiņa ātruma regulēšanas slēdzis (15) (piegriešanas funkcija). Šis papildus atvieglojums dod iespēju optimāli veikt darba procesu, apstrādājot konkrētu materiālu.

Gājiņa ātrumu var uzstādīt ar slēdzi (15) četrās pakāpēs. Pārslēgšanu var veikt pie strādājošas ierīces:

Pakāpe 0 - Oscilācija izslēgta

Pakāpe 1 - Maza oscilācijas vērtība

Pakāpe 2 - Vidēja oscilācijas vērtība

Pakāpe 3 - Liela oscilācijas vērtība

Ieteicams:

- Mazu oscilācijas pakāpi vai vispār to izslēgt izvēlēties, ja apstrādā trauslu materiālu vai griešanas vietai jābūt tīrai.
- Plānu materiālu apstrādē kā piem. skārda - vispār izslēgt oscilācijas kustību.
- Cietu materiālu apstrādē kā piem. tērauda - strādāt ar mazu oscilācijas pakāpi.
- Mikstu materiālu apstrādē un griežot šķiedru virzienā - strādāt ar maksimālo oscilācijas pakāpi.
- Lietojot naža veida asmeņi ieteicams izslēgt oscilāciju.

Optimālos darba parametrus var iegūt tikai praktisku mēģinājumu rezultātā.

Griežot metālu ieteicams griešanas līnijas zonā lietot dzesējoši-ēljojo šķidrums.

Pretkontakta pārsegs

Uz korpusa novietotais pret kontakta pārsegs (3) darba procesa laikā sargā no neparedzētas asmens pieskāšanās un to nedrīkst noņemt.

Asmens apūte

Ieslēdzējs ļauj ieslēgt asmens apūtes ierīci, kas paredzēta, lai ar gaisa strūklu atbrīvotu zāģējuma trasi no skaidām.

- Asmens apūtes ieslēgšana: lestatiet barošanas slēdzi (14) uz on

(iesl.).

- Asmens appūtes izslēgšana: lestatiet barošanas slēdzi (14) uz off (izsl.).

■ Skaidu un putekļu atsūkšana (skat. zīm. E)

Figūrzāģis aprīkots ar savienojumu (12), kurš dod iespēju pieslēgt figūrzāģi pie putekļu sūcēja, kas dod iespēju precīzi atsūkt skaidas un putekļus. Putekļu sūcējam jābūt piemērotam atsūkt aprādājām materiāla putekļus.

UZMANĪBU! Pirms putekļu sūcēja pievienošanas nepieciešams pārliecināties, ka figūrzāģa barošanas vads ir atvienots no barošanas avota.

- Iebīdīt savienojumu (12) putekļu novadišanas sprauslā un pie tā pievienot putekļu sūcēja cauruli.

UZMANĪBU: Skaidu sūkšanas laikā skaidu izpūšanas slēdzim (14) jāatrodas stāvoklī off (izsl.).

■ Paralēlā griešana (skat. zīm. F)

Atbrīvot stiprināšanas skrūvi (2) un iebīdīt paralēlo vadotni (18) caur pēdas (1) rokturiem. Ar skalas palīdzību, kura atrodas vadotnes ārējā pusē uzstādīt vēlamo griešanas platumu. Pieskrūvēt stiprināšanas skrūves un veikt griešanu.

■ Lāzera rādītājs

Lāzera rādītājs (23) rāda griešanas līniju. Uz aprādājām priekšmeta nepieciešams atzīmēt vēlamo griešanas ceļu, un griešanas laikā lāzera līniju vest pa atzīmēto līniju.

- Lai ieslēgtu vai izslēgtu lāzera rādītāju nepieciešams nospiegt slēdzi ieslēgts/izslēgts (5).

Pirms griešanas sākuma pārbaudīt vai griešanas līnija tiek uzrādīta. Lāzera rādītājs var izmainīt savu rādījumu sakarā elektroinstrumenta intensīvas lietošanas vibrāciju.

UZMANĪBU: Pēc katras zāģēšanas nepieciešams izslēgt lāzera rādītāju.

■ Baterijas maiņa (skat. zīm. G)

Lāzera rādītājs (23) tiek barots ar divām baterijām tips AG13 1,5V. Baterijas nepieciešams apmainīt, kad lāzera gaismā paliek vāja un lāzera stars ir izsijāts.

- Šajā nolūkā nepieciešams atvienot lāzera vāku (4) no figūrzāģa atskrūvējot stiprināšanas skrūves (21) un pavilkt lāzera vāku uz augšu.
- Izņemt izlietotās baterijas (22) un to vietā ielikt jaunas baterijas tips AG13, pārliecināties, ka poli (+) un (-) ir pareizi novietoti. Uzstādīt atpakaļ lāzera vāku (4).

UZMANĪBU! Neizmest izlietotās baterijas kopā ar citiem atkritumiem. Izlietotās baterijas vai akumulatorus var atstāt tikai šo atkritumu savākšanas punktus.

■ Izgriešana

- Griešanas zonā ar urbjmašīnu izurbt 10 mm caurumu.
- Ievadīt figūrzāģa zāģi caurumā un sākt izgriešanu.

■ Figūrzāģa pēdas uzstādīšana slīpai griešanai (skat. zīm. H)

UZMANĪBU! Nedrīkst lietot figūrzāģi ar noņemtu vai pieskrūvētu pēdu.

Figūrzāģa (1) pēda rūpnieciski ir uzstādīta vidējā stāvoklī (0°) un to var uzstādīt slīpai griešanai maksimāli 45° leņķi kā pa kreisi tā arī pa labi.

UZMANĪBU! Pirms figūrzāģa pēdas slīpuma uzstādīšanas nepieciešams pārliecināties, ka figūrzāģa barošanas vads ir atvienots no barošanas avota.

1. Pavilkt figūrzāģa pēdas bloķēšanas sviru (13) uz ārpusi, lai atbloķētu

pēdu.

2. Pavilkt figūrzāģa (1) pēdu uz priekšu.
3. Uzstādīt nepieciešamo leņķi 22,5° vai 45°, lietojot skalu (24).
4. Pagrūst figūrzāģa (1) pēdu uz aizmuguri.
5. Pārvietot figūrzāģa pēdas bloķēšanas sviru (13) uz aizmuguri, lai fiksētu figūrzāģa (1) pēdu.



UZMANĪBU! Nepieciešams uzmanīties, lai griešanas laikā regulējamā pamatne būtu rūpīgi piestiprināta. Bloķēts asmens var salūzt un radīt atmešanu.

Lai atpakaļ novietotu figūrzāģa (1) pēdu taisnai griešanai, augstāk aprakstīto procedūru nepieciešams atkārtot, šini gadījumā pēdu novietojot zem 0° leņķa.

DARBA NORĀDĪJUMI:

Figūrzāģa pareizas izmantošanas pamatprincipi:

- materiālu nepieciešams griezt lietojot mērenu spiedienu, nepieļaut pārmērīgu figūrzāģa pārslogošanu.
- pārmērīgs spiediens uz figūrzāģi var radīt turp atpakaļ kustības palielināšanos vai pārtraukšanu, kas noved līdz griešanas procesa palielināšanai vai pārtraukšanai.
- griežot figūrzāģa pamatnei ar visu virsmu jāpieguļ pie aprādājām materiāla.
- caurumu griešanu cietos materiālos nepieciešams sākt ar cauruma izurbšanu, lai tanī varētu ielikt asmeni.
- griežot asu šķautņu formas vai maza rādiusa lokus vislabāk nepieciešams lietot šaurus asmeņus un izslēgt galvas turp atpakaļ palīg kustību.
- vadotnes lietošana atvieglo vēlamās griešanas līnijas turēšanu.

GLABĀŠANA UN KONSERVĀCIJA:

Mašīnu nepieciešams glabāt bērniem nepieejamā vietā, uzturēt tīru, sargāt no mitruma un putekļiem. Glabāšanas apstākļiem jānodrošina pret mehāniskiem bojājumiem un no atmosfēras apstākļu iedarbības.

Principā figūrzāģi nav nepieciešams speciāli apkalpot un konservēt. Tomēr periodiski eļļojot asmeņu vadošo rullīti (17) nodrošinās tā ilgāku kalpošanas laiku.

Nepieciešams regulāri kontrolēt figūrzāģa korpusa un pēdas stiprināšanas skrūves. Nepieciešamības gadījumā tās pieskrūvēt.

Pēc darba ieteicams ar saspiesto gaisu izpūst ventilācijas atveres un asmeņu turētāju. Tas novērsīs gultņu bojājumu, likvidēs dzinēja dzesējošā gaisa bloķēšanu.

Korpusu nepieciešams tīrīt ar mitru nedaudz ziepainu drānu, pēc tam slaucīt līdz sausumam. Nelietot nekādus tīrīšanas līdzekļus un šķīdinātājus; tie var sabojāt ierīces plastmasas daļas.

Nepieciešams uzmanīties, lai ierīcē neieķļūtu ūdens.

Redzamus netīrumus lāzera stara izejas atverē kā arī lēcās uzmanīgi noņem ar kosmētisko vates košļiņu, lietojot stikla tīrīšanas līdzekli.

TIPVEIDA DEFEKTI UN TO NOVĒRŠANA:

Elektroinstrumentas neizslēdzas vai pārtrauc darbu:

- pārbaudīt vai barošanas vads (10) ir pareizi pievienots kā arī vai barošanas līnzdā ir strāvas plūsma;
- pārbaudīt ogļišu suku stāvokli un nepieciešamības gadījumā nomainīt.

UZMANĪBU! Ogļišu suku var mainīt tikai pilnvarots elektriķis.

- ja elektroinstrumentas joprojām nedarbojas, noskatoties uz to , ka ir spriegums un labas ogļišu suku, nepieciešams to nosūtīt uz norādīto servisa adresi.

TRANSPORTS:

Figūrzāģi transportēt un glabāt transportēšanas koferi, kurš sargā pret mitrumu, putekļiem un smalkiem elementiem, īpaši nepieciešams nodrošināt ventilācijas atveres. Smalkie elementi, kuri iekļūst korpusa iekšienē var sabojāt dzinēju.

RAŽOTĀJS:

Profix SIA

Marywilska iela 34,
03-228 Varšava, Polija

Šī ierīce ir saskaņā ar valsts un Eiropas normām, kā arī ar drošības prasībām. Visāda veida labošanas darbus jāveic kvalificētam personālam, lietojot oriģinālas rezerves daļas.

APKĀRTĒJĀS VIDES AIZSARDZĪBA:



UZMANĪBU: Uzrādītais simbols nozīmē, ka aizliegts novietot nolietoto ierīci kopā ar citiem atkritumiem (iespējams naudas sods). Bīstamās sastāvdaļas, kuras atrodas elektriskās ierīcēs negatīvi ietekmē uz apkārtējo vidi un cilvēku veselību.

Mājsaimniecībā jāņem dalība nolietoto ierīču atgūšanā un atkārtotā izlietošanā (reciklīgā). Polijā un Eiropā tiek radīta vai jau pastāv nolietot ierīču savākšanas sistēma, kura ietvaros visiem augstāk minēto ierīču pārdošanas punktiem ir pienākums pieņemt nolietotās ierīces. Bez tam pastāv augstāk minēto ierīču savākšanas punkti.

PIKTOGRAMMAS:

Apzīmējumu skaidrojums, kuri atrodas uz plāksnītes un informācijas uzlīmēm.



– «*Pirms ieslēgšanas un darba sākuma nepieciešams iepazīties ar šo instrukciju*»



– «*Vienmēr lietot aizsargbrilles*»



– «*Lietot dzirdes aizsardzības līdzekļus*»



– «*Lietot putekļu maskas*»



Firmas PROFIX politika ir nepārtraukta savu produktu pilnveidošanas politika, tāpēc firma sev rezervē tiesības ievest izstrādājuma specifikācijas izmaiņas bez iepriekšējas paziņošanas. Zīmējumi, kuri uzrādīti apkalpošanas instrukcijā kalpo tikai kā piemērs un var nedaudz atšķirties no iegādātās ierīces reālā izskata.


Šī instrukcija ir sargāta ar autortiesībām. Aizliegts to kopēt/pavairot bez PROFIX SIA rakstiskas atļaujas.



PŘED ZAHÁJENÍM POUŽÍVÁNÍ SE SEZNAMTE S TÍMTO NÁVODEM.

Uchovávejte návod pro případné další použití.



POZOR! Přečtěte si všechny výstrahy týkající se bezpečnosti používání označené symbolem  a veškeré pokyny týkající se bezpečnosti používání.

Nedodržování uvedených bezpečnostních výstrah a bezpečnostních pokynů může být příčinou zásahu elektrickým proudem, požáru a/nebo závažných úrazů.

Uchovávejte výstrahy a pokyny týkající se bezpečnosti pro případné použití v budoucnosti.

V níže uváděných výstrahách pojem „elektronářadí“ znamená elektronářadí napájené z elektrické sítě (elektrickým vodičem) nebo elektronářadí napájené baterií (bezdrátové).



VÝSTRAHA! Všeobecné výstrahy týkající se bezpečného používání nářadí.

Bezpečnost na pracovišti:

- Udržujte na pracovišti pořádek a zajistěte zde dobré osvětlení. Nepořádek a špatné osvětlení často zapříčiňují nehody.
- Nepoužívejte elektronářadí ve výbušném prostředí tvořeném hořlavými tekutinami, plyny nebo prachem. Elektronářadí vytváří jiskry, které by mohly zapálit prach nebo výpary.
- Nepouštějte děti ani jiné pozorovatele na místa, kde se používá elektronářadí. Rušení pozornosti může způsobit ztrátu kontroly nad elektronářadím.

VÝSTRAHA! Všeobecné výstrahy týkající se bezpečného používání nářadí.



VÝSTRAHA! Všeobecné výstrahy týkající se bezpečného používání nářadí.

Elektrická bezpečnost:

- Zástrčky nářadí musí odpovídat zásuvkám. Nikdy žádným způsobem nepředělávejte zástrčky. V případě elektronářadí, které má vodič s ochranným uzemněním, nepoužívejte žádné prodlužovačky. Původní nepředělávané zástrčky a zásuvky snižují riziko zásahu elektrickým proudem.
- Vyvarujte se dotýkání uzemněných ploch nebo takových, které jsou spojené s hmotou, jako jsou trubky, ohřivače, radiátory ústředního topení a chladničky. V případě dotýkání takových ploch a předmětů roste riziko zásahu elektrickým proudem.
- Nevystavujte elektronářadí na působení deště nebo vlhka. Pokud by se do elektronářadí dostala voda, roste riziko zásahu elektrickým proudem.
- Kabely se nesmí žádným způsobem namáhat. Nikdy nepoužívejte kabel k nošení, tažení elektronářadí nebo k vytahování zástrčky ze zásuvky. Kabel musí být umístěný daleko od zdrojů tepla, oleje, ostrých hran nebo pohyblivých částí. Poškozené nebo spletené kabely zvyšují riziko zásahu elektrickým proudem.
- V případě, že se elektronářadí používá venku, je třeba prodlužovat elektrické kabely prodlužovači určenými na práci venku. Používání prodlužovače určeného do venkovního

prostředí snižuje riziko zásahu elektrickým proudem.

- Pokud je nezbytné použití elektronářadí ve vlhkém prostředí, je třeba použít jako ochranu proudový chránič (RCD). Použití RCD snižuje riziko zásahu elektrickým proudem.



VÝSTRAHA! Všeobecné výstrahy týkající se bezpečného používání nářadí.

Osobní bezpečnost:

- Toto zařízení nesmí používat osoby (včetně dětí) s omezenou fyzickou, smyslovou nebo psychickou schopností, nebo osoby, které nemají odpovídající zkušenosti nebo znalosti zařízení, leda že je používají s příslušným dozorem, nebo v souladu s návodem na používání zařízení, který jim předají osoby zodpovědné za jejich bezpečnost.
- Při používání elektronářadí je třeba být předvídavý, pozorovat, co se děje, a používat zdravý rozum. Nepoužívejte elektronářadí, pokud jste unaveni nebo pod vlivem drog, alkoholu nebo léků. Chvilce nepozornosti při práci s elektronářadím může způsobit závažné osobní úrazy.
- Je třeba používat osobní ochranné prostředky. Je třeba vždy používat ochranné brýle. Používání v příslušných podmínkách takových ochranných prostředků, jako je protiprachová respirační maska, protiskluzová obuv, přilba nebo chrániče sluchu, snižuje nebezpečí osobních úrazů.
- Je třeba se vyhnout neplánovanému spuštění. Před připojením k elektrickému zdroji a/nebo před zapojením baterie a než se nářadí zvedne, nebo přenese, je třeba se ujistit, že je vypínač elektronářadí v poloze vypnuto. Přenášení elektronářadí s prstem na vypínači nebo připojení elektronářadí do sítě se zapojeným vypínačem může být příčinou nehody.
- Před spuštěním elektronářadí je třeba odstranit všechny klíče. Ponechání klíče v otáčející se části elektronářadí může způsobit poranění.
- Je zakázáno přilížit se naklánět. Po celou dobu musíte stát pevně a udržovat rovnováhu. Umožní Vám to dobře kontrolovat elektronářadí při nepředvídatelných situacích.
- Je třeba mít vhodné oblečení. Při práci nenoste volné oblečení ani bižuterii. Je třeba zajistit, aby Vaše vlasy, oblečení a rukavice byly v bezpečné vzdálenosti od pohyblivých částí. Volné oblečení, bižuterie nebo dlouhé vlasy se mohou zachytit do pohyblivých částí.
- Pokud je zařízení přizpůsobeno na napojení k vnějšímu odsávání prachu a pohlčovači prachu, ujistěte se, že jsou připojeny a řádně se používají. Použitím pohlčovačů prachu můžete omezit nebezpečí závislé na prašnosti.



VÝSTRAHA! Všeobecné výstrahy týkající se bezpečného používání nářadí.

Používání elektronářadí a péče o ně:

- Elektronářadí se nesmí přetěžovat. Je třeba používat elektronářadí s výkonem vhodným pro provádění určité práce. Správné elektronářadí umožní lepší a bezpečnější práci se zátěží, na kterou bylo naprojektováno.

- b) Elektronářadí, u kterého nefunguje spínač, se nesmí používat. Každé elektronářadí, které nelze zapínat nebo vypínat spínačem, je nebezpečné a je třeba je opravit.
- c) Před provedením každého seřízení, výměny součástky nebo před skladováním odpojte zástrčku elektronářadí od zdroje elektrického proudu a/nebo odpojte baterii. Takový bezpečnostní postup omezuje riziko náhodného spuštění elektronářadí.
- d) Nepoužívané elektronářadí uchovávejte mimo dosah dětí a nedovolte přístup osobám, které nejsou obeznámené s elektronářadím nebo s tímto návodem na používání elektronářadí. Elektronářadí může být nebezpečné v rukách nevyškolených uživatelů.
- e) Elektronářadí je třeba udržovat. Je třeba kontrolovat souosost nebo zaseknutí pohyblivých částí, praskliny součástí a veškeré další faktory, které by mohly ovlivnit činnost elektronářadí. Pokud zjistíte poškození, musíte elektronářadí před použitím opravit. Příčinou mnohých nehod je neodborná údržba elektronářadí.
- f) Řezací nástroje musí být ostré a čisté. Řádná údržba ostrých hran rezačích nástrojů snižuje pravděpodobnost zaseknutí a usnadňuje obsluhu.
- g) Elektronářadí, vybavení, pracovní nástroje apod. používejte v souladu s tímto návodem, při čemž zohledněte pracovní podmínky a druh prováděné práce. Používání jiným způsobem, pro který není elektronářadí určeno, může způsobit nebezpečné situace.
- h) V nízkých teplotách, nebo pokud se nářadí po delší dobu nepoužívá, doporučuje se zapnout elektronářadí bez zátěže po dobu několika minut za účelem řádného promazání mechanismu pohonu.
- i) K čištění elektronářadí používejte měkký, vlhký (ne mokrý) hadřík a mýdlo. Nepoužívejte benzín, rozpouštědla a další prostředky, které by mohly poškodit zařízení.
- j) Elektronářadí je třeba skladovat / dopravovat až potom, co se ujistíte, že jsou veškeré jeho pohyblivé součásti zablokované a zajištěné proti odblokování s použitím původních součástek určených k tomuto účelu.
- k) Elektronářadí skladujte na suchém místě chráněném proti prachu a prúniku vlhkosti.
- l) Doprava elektronářadí by měla probíhat v původním obalu tak, aby bylo chráněné proti mechanickému použití.



VÝSTRAHA! Všeobecné výstrahy týkající se používání nářadí.

Oprava:

- a) Opravy elektronářadí je třeba objednávat výhradně u kvalifikované osoby, využívejte původní náhradní součástky. Zajistíte tím, že používání elektronářadí bude stále bezpečné.



VÝSTRAHA!

Při práci s elektronářadím vždy dodržujte základní pravidla bezpečnosti práce, abyste zamezili výbuchu požáru, zásahu elektrickým proudem nebo mechanickému úrazu.



VÝSTRAHA!

VYŘEZÁVACÍ PILA, zvláštní pokyny týkající se používání zařízení:

- a) Během provádění prací, při nichž by mohl pracovní nástroj narazit na skryté elektrické vedení nebo na vlastní napájecí vodič, držte elektronářadí za izolované plochy držáku. Styk s elektrickým vedením může způsobit předání napětí na kovové součástky elektronářadí, což by mohlo v důsledku způsobit úraz elektrickým proudem.
- b) Používejte vhodné vyhledávací nástroje na zjištění skrytých elektrických vedení, nebo požádejte o pomoc správce budovy. Styk s vedením, které je pod napětím, může vést k vzniku požáru nebo k úrazu elektrickým proudem. Poškození plynového potrubí může způsobit výbuch. Průnik do vodovodního potrubí způsobí věcné škody.
- c) **Nepracovávávejte materiál obsahující azbest.** Azbest způsobuje onemocnění nádorovou nemocí.
- d) **Udržujte pracoviště čisté.** Obzvlášť nebezpečné bývají směsi materiálů. Prach z lehkého kovu se může vznítit nebo vybuchnout.
- e) **Předmět, který zpracováváte, je třeba zajistit.** Ujistěte se, zda jsou všechny upevňující svěrky stažené a zkontrolujte, jestli není uchycení volné. Upevnění obráběného předmětu v držáku nebo svěraku je bezpečnější než jeho držení rukou.
- f) **Je třeba vždy používat gogle – těsně přiléhající ochranné brýle (ne obyčejné brýle) a ochranu sluchu. Požívejte, pokud to je nutné, příslušné prostředky osobní ochrany:**
 - ochrannou masku pro snížení nebezpečí vdechování skaldlivého prachu,
 - ochranné rukavice, pokud je list v pohybu a manipulujete s drsným materiálem.
- g) **Věnujte pozornost tomu, aby nastavitelná patka (1) byla při řezání řádně upevněna.** Zablockovaný list se může ulomit nebo způsobit zpětný ráz.
- h) **Používejte výhradně nepoškozené a bezvadné listy.** Křivé nebo tupé listy se mohou zlomit nebo způsobit zpětný ráz.
- i) **Elektronářadí je třeba spustit dříve, než přivedete k listu materiál.** V opačném případě existuje nebezpečí zpětného rázu, protože se nástroj při rozjezdu zablokuje v materiálu.
- j) **Dbejte na to, abyste měli ruce vždy mimo oblast řezu. Nepodsunte je pod obráběný materiál.** Při kontaktu s listem existuje nebezpečí poranění.
- k) **Po ukončení práce je třeba nářadí vypnout.** Pilový list musíte vytáhnout z obráběného materiálu až tehdy, když už je zcela nehybný. Takto zabráníte zpětnému rázu a budete moci elektronářadí bezpečně odložit.
- l) **Během přestávky v práci, při výměně listu, opravě, čištění nebo seřizování je třeba vždy odpojit zařízení od přívodu elektrického proudu.**
- m) **Nepoužívejte elektronářadí s poškozeným vodičem napájení. Nedotýkejte se poškozeného vodiče; v případě, že dojde k poškození vodiče během práce, vytáhněte zástrčku ze zásuvky.** Poškozené vodiče zvyšují riziko zásahu elektrickým proudem.
- POZOR!** Pokud je vodič napájení elektronářadí poškozený, musí se v servisu vyměnit za bezvadný.



n) **Pila je zařízení vybavené laserovým vedením s laserem třídy 2 v souladu s EN60825-1:2007. Je zakázáno dívat se do svazku laserového světla a směřovat laserem přímo do očí osob a zvířat. Pohled do světla laseru třídy 2 není škodlivý, pokud netrvá déle než 0,25 s. Reflex zavírání víček je zpravidla dostatečnou ochranou. Použití optických zařízení, například brýlí, dalekohledů nezpůsobuje zvýšení rizika poškození očí.**

KONSTRUKCE A URČENÍ VYŘEZÁVACÍ PILY:

Vyřezávací pila je zařízení ve druhé třídě ochrany (dvojí izolace), poháněné jednofázovým motorem, které je vybaveno elektronickým systémem nařízení rychlosti chodu. Možnost nastavovat rychlost a 4stupňová nastavení posunu listu umožňují optimální účinnost procesu řezu.

Vyřezávací pila je určena k provádění řezů a vyřezávání tvarů ve dřevě a materiálech na bázi dřeva, v umělé hmotě, kovu, keramických obkladech a pryži. Proces řezání probíhá s použitím vhodného pilového listu zvoleného příslušně k obráběnému materiálu.

Zařízení je přizpůsobeno k provádění rovných řezů a šikmých řezů s úhlem do 45°. Je určeno na domácí provoz a na průmyslové využití s průměrnou intenzitou. Není vhodné na dlouhodobou práci v těžších podmínkách.

Je zakázáno používat nářadí na provádění prací, které vyžadují použití profesionálního stroje.

Každé použití vyřezávací pily, které není v souladu s výše uvedeným určením, je zakázáno a způsobuje ztrátu záruky a zároveň je v takovém případě výrobce osvozen od odpovědnosti za škody vzniklé v důsledku tohoto použití.

Jakékoliv změny v zařízení provedené uživatelem osvožují výrobce od odpovědnosti za poškození a škody vzniklé uživateli a okolí.

Správné používání vyřezávací pily se týká také její údržby, skladování, dopravy a oprav.

Vyřezávací pilu lze opravovat výhradně v servisech určených výrobcem. Zařízení napájené ze sítě mohou opravovat výhradně kvalifikované a oprávněné osoby.

I když se bude nářadí používat v souladu s jeho určením, nelze zcela vyloučit určité možnosti zbytkového rizika. Vzhledem ke konstrukci a stavbě stroje se mohou vyskytnout následující nebezpečí:

- dotek listu během činnosti v nekrýtem prostoru pily;
- popálenina při výměně listu (během práce se list velmi zahřívá, pro zamezení nebezpečí popálení je třeba při jeho výměně používat ochranné rukavice);
- zpětný ráz zpracovávaného předmětu nebo jeho části;
- prasknutí/zlomení listu;
- poškození sluchu v případě nepoužívání nezbytné ochrany sluchu;
- vdechování zdraví škodlivého poletavého prachu z řezaného materiálu v případě práce v uzavřených prostorech.

KOMPLETACE:

- Vyřezávací pila - 1 ks.
- Rovnoběžné vedení - 1 ks.
- Násadka na patku - 1 ks.
- Pilové listy - 2 ks. (kov, dřevo)
- Imbusový klíč - 1 ks.
- Přípojka k zapojení vysavače - 1 ks.
- Uhlíkové kartáče - 2 ks.

- Převravní kufr - 1 ks.
- Návod na obsluhu - 1 ks.
- Záruční list - 1 ks.

SOUČÁSTI ZAŘÍZENÍ:

Číslování součástí zařízení se vztahuje ke grafickému znmornění umístěnému na stránkách 2-3 návodu na obsluhu:

- Obr. A:**
1. Nastavitelná patka (0° - 45°)
 2. Šrouby upevňující vedení
 3. Kryt protikontaktu
 4. Kryt laseru
 5. Tlačítko zap./vyp. laserového vedení
 6. Knoflík nastavení skokové rychlosti
 7. Rukojeť s protiskluzovou násadkou
 8. Tlačítko blokování vypínače
 9. Vypínač
 10. Vodič napájení
 11. Magnetická schránka na čepele
 12. Přípojka k zapojení vysavače
 13. Páka blokadý patky vyřezávací pily
 14. Vypínač/zapínač výfuku trisek
 15. Přepínač kyvadlového pohybu
 16. Násadka na patku
 17. Vodičí váleček
 18. Rovnoběžné vedení
- Obr. B**
19. Držák na pilové listy
 20. Pilový list
- Obr. G:**
21. Vrutý upevňující
 22. Baterie k napájení laseru
 23. Laserové vedení
- Obr. H:**
24. Měřitko úhlu úkosu

TECHNICKÉ ÚDAJE:

Jmenovité napětí	230 V	
Jmenovitý kmitočet	50 Hz	
Jmenovitý výkon	800 W	
Rychlost	800-3100/min	
Délka skoku	23 mm	
Řez pod úhlem	0° - 45°	
Max. hloubka řezu	dřevo	110 mm
	hliník	15 mm
	ocel	10 mm
Laserové vedení	třída laseru	2
	délka vln laseru	650 nm
	výkon laseru	≤1 mW
Třída zařízení	II	
Délka napájecího kabelu	3 m	
Vlastní hmotnost	2,65 kg	
Hladina akustického tlaku (LpA), (K=±3dB(A))	88,2 dB(A)	
Hladina akustického výkonu (LwA), (K=±3dB(A))	99,2 dB(A)	
Vibrace podle EN 60745	řez dřevem	9,321 m/s ²
	(tolerance měření K=1,5 m/s ²) řez kovem	7,898 m/s ²

Uvedená úroveň vibrací platí pro základní použití elektronářadí. Pokud by bylo elektronářadí použito jinak nebo s jinými pracovními nástroji, a také

pokud nebude prováděna dostatečná údržba, úroveň vibrací se může lišit od uvedeně. Výše uvedené důvody mohou způsobit zvýšení vystavení vibracím během celé doby práce.

Je třeba uplatnit další bezpečnostní prostředky, jejichž účelem je ochrana obsluhy pily proti důsledkům vystavení vibracím, např.: údržba elektronáďadi a pracovních nástrojů, zajištění vhodné teploty rukou, určení pořadí pracovních úkonů.

PŘED ZAČÁTKEM PRÁCE:

1. Ujistěte se, že zdroj elektrického proudu má parametry odpovídající parametrům vyřezávací pily uvedeným na výrobním štítku.
2. Ujistěte se, že vypínač vyřezávací pily je ve vypnuté poloze.
3. Pokud pracujete s použitím prodlužovacího kabelu, ujistěte se, že jeho parametry, průřez vodičů, odpovídají parametrům vyřezávací pily. Doporučíme použití co nejkratší prodlužovačky. Prodlužovačka by měla být zcela rozvinutá.
4. Zkontrolujte materiál určený k řezání, zda v něm nejsou cizí tělesa (např. vruty, hřebíky), které by mohly poškodit list během práce.

POZOR! Je třeba odpojit zástrčku od zdroje napájení elektronáďadi před provedením každého nastavení, výměny součásti nebo před skladováním.

■ Montáž pilového listu

Na vyřezávací pile lze používat veškeré dostupné na trhu pilové listy s koncovkou typu **T** (typ **A** podle katalogu Profix).

Pilové listy nabízené výrobcí nejčastěji v sadách, v závislosti na svém určení se mohou lišit velikostí a druhem řezných zubů. Na obalu sady pilových listů nebo na připojeném letáku výrobce obvykle informuje o určení jednotlivých listů. Samotné pilové listy mohou být navíc označeny barvami, odlišně pro různé materiály určené k řezání.



POZOR! Před montováním pilového listu a všemi údržbářskými zásahy se ujistěte, že napájecí kabel vyřezávací pily je odpojen od zdroje napájení.

Při montování pilového listu používejte ochranné rukavice. Při doteku pilového listu existuje nebezpečí poranění.

Zvláštní držák (**19**) zaručuje rychlé namontování čepel.

- Odtáhněte kolečko držáku (**19**) ve směru šipky (obr. **B**) tak, aby byla upevňující drážka souběžná s podélnou osou vyřezávací pily.
- Vložte zvolenou čepel (**20**) zuby nasměrovaným ven, až na doraz do drážky držáku (**19**). Pusťte kolečko držáku, který automaticky zablokuje čepel (obr. **C**).

POZOR! Je třeba zkontrolovat, zda pilový list je správně usazený. Volný pilový list by mohl vypadnout a zranit obsluhu.

- Za účelem uvolnění pilového listu je třeba postupovat opačně.

■ Schránky na čepel

Na obou stranách vyřezávací pily jsou zabudovány magnetické schránky (**11**), ve kterých lze uchovávat čepel.

- Otevřete kryt schránky (**11**) tak, že přidržíte čep na horní straně krytu a potáhněte jej směrem ven (obr. **D**).
- Čepel jsou upevněné ve schránce s použitím magnetické pásky. Pro vyjmutí čepel je třeba stlačit jeden z jejich konců a vytáhnout ji za zdviženou část.
- Uzavřete kryt schránky čepelí (**11**).

POZOR! Před zahájením práce se ujistěte, že jsou schránky řádně uzavřené.

■ Násadka na patku

Zařízení je vybaveno plastovou násadkou na patku (**16**), která chrání před poškrábání řezaného povrchu. Pokud se během práce násadka poškodí, je třeba ji vyměnit za novou.

OBSLUHA:

■ Zapínání/vypínání

- Pro zapnutí elektronáďadi je třeba stlačit vypínač (**9**) a držet jej stlačený.
- Pro zablokování vypínače v zapnuté poloze je třeba stlačit pojistku vypínače (**8**). Tlačítko zablokování pro stálou práci je dostupné z obou stran vyřezávací pily a umožňuje snadnou a pohodlnou obsluhu pravákům i levákům.
- Za účelem vypnutí elektronáďadi je třeba vypínač (**9**) povolit, nebo – pokud je zablokovan tlačítkem zajištění (**8**) – krátce jej stlačit a pak povolit.

■ Vstupní volba skokové rychlosti

V přední horní části držáku vyřezávací pily je knoflík nastavování skokové rychlosti (**6**). Umožňuje to zvolit rychlosti řezu, která je závislá na druhu obráběného materiálu a pracovních podmínkách a může optimálně zvolena s použitím praktických pokusů.

Po delší práci s nízkou skokovou rychlostí je třeba motor zařízení schladit tak, že jej zapneme a ponecháme v chodu po cca 3 minuty bez zátěže s maximální skokovou rychlostí.

■ Nastavení kyvadlového pohybu

Na těle pily, na levé straně je přepínač nastavení pomocného kyvadlového pohybu (**15**) hlavy vyřezávací pily (funkce podřezávání). Tato další výhoda umožňuje optimalizaci průběhu pracovního postupu, při obrábění určitého materiálu.

Kyvadlový pohyb lze nastavovat přepínačem (**15**) ve čtyřech rozsazích. Přepínání může probíhat za chodu zařízení:

Stupeň **0** – Oscilace vypnutá

Stupeň **1** – Malá velikost oscilace

Stupeň **2** – Střední velikost oscilace

Stupeň **3** – Velká oscilace

Doporučujeme:

- Rozsah kyvadlové oscilace zvolte tím menší, případně zcela vypněte, čím hladší má být řezaná hrana.
- Během obrábění tenkých materiálů, jako je např. plech, zcela vypněte kyvadlový pohyb.
- Ve tvrdých materiálech, jako je např. ocel, pracujte a malým kyvadlovým pohybem.
- V měkkých materiálech a během řezání ve směru vláken pracujte s maximálním kyvadlovým pohybem.
- Při použití pilového listu nožového typu se doporučuje kyvadlový pohyb vypnout.

Optimální pracovní parametry lze zvolit pouze praktickými zkouškami.

Při řezání kovu se doporučuje použít podél linie řezu vhodný chladicí a mazací přípravek.

■ Kryt proti kontaktu

Umístěný na těle zařízení kryt proti kontaktu (**3**) chrání před neplánovaným dotekem pilového listu během pracovního procesu a nesmí se jej odstraňovat.

■ Přípravek na odffukování třísek

Pomocí proudu vzduchu přípravek pro odffukování třísek lze řeznou čáru udržovat bez třísek.

- Zapnutí přípravek pro vyffukování třísek: přepnutím vypínače (**14**) dopolohy **on** (zap.).
- Vypnutí přípravek pro vyffukování třísek: přepnutím vypínače (**14**) dopolohy **off** (vyp.).

■ Odsávání třísek a pilin (viz obr. E)

Do vyřezávací pily je připojená spojka (12) umožňující připevnění vyřezávací pily k vysavači, což umožňuje důkladné odsávání třísek a pilin. Vysavač musí být vhodný pro odsávání obráběného materiálu.

POZOR! Před připojením vysavače se ujistěte, že vodič napájení vyřezávací pily je odpojený od zdroje napájení.

- Zasuňte spojku (12) do trysky odvádění prachu a připojte na ní hadici vysavače.

POZOR: Během odsávání třísek vypínač/zapínač výfuku třísek (14) by měl být nastavený do polohy **off** (vyp.).

■ Rovnoběžné řezání (viz obr. F)

Povolte upevňující šrouby (2) a zasuňte rovnoběžnou vodič lištu (18) do držáků v patce (1). Nastavte požadovanou šířku řezu s použitím měřítka na vnější straně vedení. Dotáhnout upevňující šrouby a provést řez.

■ Laserové vedení

Laserové vedení (23) ukazuje linii řezu. Na povrchu zpracovávaného předmětu označte požadovaný průběh řezu a během řezání vedte laserový svazek podél označené čáry.

- Za účelem zapnutí nebo vypnutí laserového vedení pily stlačte vypínač (5) laserového vedení.

Před zahájením řezání zkontrolujte, zda se linie řezu správně zobrazuje. Laserové vedení se může vlivem vibrací při intenzivním používání elektronářadí posunout.

POZOR: Po každém ukončení řezání je třeba laserové vedení vypnout.

■ Výměna baterií (viz obr. G)

Laserový ukazatel (23) je napájen s použitím dvou alkalických baterií typ AG13 1,5V. Baterie by měly být vyměněny, když se světlo laseru stává slabé a paprsek laseru je rozprašený.

- Za tímto účelem je třeba oddělit kryt laseru (4) od vyřezávací pily odsroubováním upevňujících vrutů (21) a popotažením krytu laseru dopředu.
- Vyjměte opotřebené baterie (22) a vložte na jejich místo nové baterie typu AG13, ujistěte se, že byly póly (+) a (-) řádně zapojené. Namontujte zpátky kryt laseru (4).

POZOR! Nevyhazujte opotřebené baterie s komunálním odpadem. Vypotřebené baterie nebo akumulátory je možné likvidovat pouze na místech sběru těchto odpadů.

■ Vyřezávání

- S použitím vrtačky vyvrtejte 10 mm otvor ve vyřezávané oblasti.
- Zaveďte pilový list vyřezávací pily do otvoru a začněte řezání.

■ Umístění patky vyřezávací pily pro šikmé řezání (viz obr. H)

POZOR! Je zakázáno používat vyřezávací pilu s odmontovanou nebo neutaženou patkou.

Patka vyřezávací pily (1) je z výroby umístěna ve střední poloze (0°) a může být nastavená pro šikmé řezání jak doleva, tak doprava maximálně v úhlu 45°.

POZOR! Před změnou nastavení patky vyřezávací pily je třeba zkontrolovat, zda vodič napájení vyřezávací pily je odpojen od zdroje napájení.

1. Potáhněte páku zajištění patky vyřezávací pily (13) směrem ven, abyste odoblokoval patku.
2. Potáhněte patku vyřezávací pily (1) dopředu.
3. Nastavte potřebný úhel 22,5° nebo 45°, s použitím škalý (24).
4. Zasuňte patku vyřezávací pily (1) dozadu.



5. Přesuňte páku zajištění patky vyřezávací pily (13) dozadu, abyste patku znehybnili (1).



POZOR! Je třeba zkontrolovat, zda patka vyřezávací pily je znehybněná. Pohybivlá, povolená patka se může stát příčinou nehody při práci.

Když chcete vrátit nastavení patky vyřezávací pily (1) zpět do polohy rovného řezání, je třeba výše popsaný postup zopakovat, s nastavením patky tentokrát v úhlu 0°.

POKYNYTKAJÍCÍ SE PRÁCE:

Základní pravidla správného používání vyřezávací pily:

- je třeba řezat materiál s použitím mírného tlaku, nepřipustit nadměrnou zátěž vyřezávací pily.
- nadměrné přitlačení vyřezávací pily může způsobit zpomalení nebo přerušení posuvně-zpětného pohybu, což by vedlo ke zpomalení nebo přerušení postupu řezání.
- při řezání musí patka pily celou plochou ležet na obráběném materiálu.
- před vyřezáváním otvoru určitého tvaru ve tvrdých materiálech, je třeba nejdříve vyvrát otvor umožňující zasunutí pilového listu. V opačném případě existuje nebezpečí zpětného rázu a zlomení pilového listu;
- při řezu linii vytvářejících ostrý úhel, nebo spojených obloukem s malým poloměrem, je třeba nejlépe použít úzké listy.
- používání vedení usnadňuje udržení linie řezu.

SKLADOVÁNÍ A ÚDRŽBA:

Stroj je třeba skladovat na dětem nedostupném místě, udržovat čistý, chránit proti vlhku a prachu. Podmínky uchovávání by měly vyloučit možnost mechanického poškození a vliv povětrnostních činitelů.

Vyřezávací pila v podstatě nevyžaduje zvláštní obsluhu a údržbu. Avšak pravidelné promazání válečku (17) vodičícího pilový list ji zajistí delší použitelnost.

Je třeba pravidelně kontrolovat stav vrutů upevňujících tělo i patku vyřezávací pily. V případě potřeby se musí tyto vruty dotáhnout.

Doporučuje se po práci profuknout stlačeným vzduchem ventilační otvory a držák pilového listu. Zabrání to poškození ložisek, odstraní prach nemožný přísun vzduchu chladícího motor.

Tělo stroje je třeba čistit čistým vlhkým hadříkem s malým množstvím mýdla a hned utírat dosucha. Nepoužívejte žádné čisticí prostředky ani rozpouštědla; mohly by poškodit části zařízení vyrobené z umělé hmoty.

Je třeba dávat pozor, aby se dovnitř zařízení nedostala voda.

Viditelná znečištění ve výstupním otvoru laserového svazku opatrně odstraňte vatovou tyčinkou namočenou do tekutého prostředku na čištění skla.

TYPICKÉ PORUCHY A JEJICH ODSTRANOVÁNÍ:

Elektronářadí se nezapne nebo přerušuje práci:

- Zkontrolovat zda vodič napájení (10) je správně zapnutý a prověřit přísun elektrického proudu do napájecí zástrčky;
 - zkontrolovat stav uhlíkových kartáčů a v případě potřeby je vyměnit.
- POZOR!** Výměnu uhlíkových kartáčů může provádět pouze oprávněný elektrikář.
- pokud elektronářadí stále nefunguje, i když má zajištěn přívod elektrického proudu a nemá opotřebené uhlíkové kartáče, je třeba je odeslat do servisní opravy na adresu uvedenou v záručním listu.

DOPRAVA:

Vyřezávací pilu dopravujte a skladujte v přepravním kufru, který ji chrání

proti vlhku, průniku prachu a drobných objektů, především zajistěte ventilační otvory. Drobné části, které by se dostaly dovnitř krytu, mohou poškodit motor.

VÝROBCE:

PROFIX Spz o.o.,
ul. Marywilska 34,
03-228 Varšava

Toto zařízení je v souladu s místními i evropskými normami a s bezpečnostními pokyny.

POZOR! Veškeré opravy musí provádět kvalifikovaný personál s použitím původních náhradních součástek.

OCHRANA ŽIVOTNÍHO PROSTŘEDÍ:



POZOR: Zobrazený symbol znamená zákaz likvidace zařízení dohromady s jinými odpady (na porušení zákazu se vztahuje pokuta). Nebezpečné složky, které se nacházejí v elektrickém a elektrotechnickém vybavení mají negativní vliv na životní prostředí a lidské zdraví.

Domácnosti by se měly zapojit do získávání zpět a opětovného využívání (recyklace) starých elektrospotřebičů. V Polsku a v Evropě se tvoří nebo už existuje systém sběru elektroodpadu, v rámci kterého mají všechna prodejní místa elektrospotřebičů povinnost přijímat elektroodpad. Kromě toho existují sběrná místa pro elektroodpad.

PIKTOGRAMY:

Vysvětlení ikon umístěných na firemním štítku a na informačních nálepkách na zařízení:



«Před spuštěním zařízení si přečtěte návod na obsluhu»



«Vždy používejte ochranné brýle»



«Používejte ochranné masky proti prachu»



«Používejte ochranné masky proti prachu»



Politika firmy PROFIX je politikou průběžného zdokonalování výrobků, z toho důvodu si firma vyhrazuje právo změnit specifikaci výrobku bez předchozího informování. Obrázky, uvedené v návodu na obsluhu, jsou pouze příklady a mohou se lišit od skutečného vzhledu zakoupeného zařízení.

Tento návod je chráněný autorským zákonem. Jeho kopírování / rozmnožování bez písemného souhlasu společnosti PROFIX s.r.o. je zakázané.

DT-C2/d_zg/0154/02/04.2015

Łomna Las, 11.05.2015

**(GB) EC DECLARATION OF CONFORMITY
(PL) DEKLARACJA ZGODNOŚCI WE****(RO) DECLARAȚIE DE CONFORMITATE CE
(LV) EK ATBILSTĪBAS DEKLARĀCIJA****(LT) EB ATITIKTIES DEKLARACIJA
(CZ) ES PROHLÁŠENÍ O SHODĚ**

(GB) MANUFACTURER	(PL) PRODUCENT	(RO) PRODUCĂTOR	(LV) RAŽOTĀJS	(LT) GAMINTOJAS:	(CZ) VÝROBCE
----------------------	-------------------	--------------------	------------------	---------------------	-----------------

PROFIX Sp. z o.o. ul. Marywińska 34, 03-228 Warszawa

(GB) Person who was authorized to develop technical documentation:
(PL) Osoba upoważniona do przygotowania dokumentacji technicznej:
(RO) Persoana împuternicită pentru pregătirea documentației tehnice:

(LV) Persona atbildīga par tehniskās dokumentācijas sagatavošanu:
(LT) Asmuo įgaliojotas parengti techninę dokumentaciją:
(CZ) Osoba oprávněna připravit technickou dokumentaci:

Mariusz Rotuski, Centrum Dystrybucyjno-Handlowe PROFIX, ul. Dobra 3, Łomna Las, 05-152 Czosnów

(GB) This is to confirm that the following products: (PL) Niniejszym potwierdzamy, że produkt(y): (RO) Prin prezenta, confirmăm că produsul (produsele): (LV) Ar šo apliecinām, ka produkts(t): (LT) Paliudijame, kad produktas: (CZ) Tímto potvrzujeme, že výrobek (výrobky):

(GB) Jig Saw (PL) Wyrzynarka (RO) Ferăstrău vertical (LV) Figūržāģis (LT) Siurapjūklis (CZ) Přímočará pila

TRYTON TMR800K

MIQ-DU03-110

230 V; 50 Hz; 800 W; kl. II no: 800-3100/min; laser klasy 2; P < 1 mW; 650 nm; S1519

(GB) meet essential requirement included into the following Directives of the European Parliament and the Council: (PL) spełnia(ją) wymagania określone w dyrektywach Parlamentu Europejskiego i Rady: (RO) îndeplinesc(e) cerințele definite de directivele Parlamentului European și a Consiliului Europei: (LV) izpildi pamat prasības noteiktas Eiropas Parlamenta un Padomes direktīvās: (LT) atitinka Europos Parlamento bei Europos Tarybos direktyvų reikalavimus: (CZ) splňuje(jí) požadavky uváděné ve směrnicích Evropského parlamentu a Rady:

(GB) 2006/95/EC (OJ L 374, 27.12.2006, p. 10–19); 2006/42/EC (OJ L 157, 09.06.2006, p. 24–86); 2004/108/EC (OJ L 390, 31.12.2004, p. 24–37); 2011/65/EU of the European Parliament and of the Council of 8 June 2011 on the restriction of the use of certain hazardous substances in electrical and electronic equipment (OJ L 174, 01.07.2011, p. 88);

(PL) 2006/95/WE; (Dz. U. L 374 z 27.12.2006, str. 10–19 z późn. zm.); 2006/42/WE z dnia 17 maja 2006 r. w sprawie maszyn, zmieniającej dyrektywę 95/16/WE (Dz. Urz. UE L 157 z 09.06.2006, str. 24 z późn. zm.); 2004/108/WE z dnia 15 grudnia 2004 r. w sprawie zbliżenia ustawodawstw Państw Członkowskich odnoszących się do kompatybilności elektromagnetycznej oraz uchylająca dyrektywę 89/336/EWG (Dz. U. L 390 z 31.12.2004, str. 24–37 z późn. zm.); 2011/65/UE z dnia 8 czerwca 2011 r. w sprawie ograniczenia stosowania niektórych niebezpiecznych substancji w sprzęcie elektrycznym i elektronicznym (Dz. U. L 174 z 01.07.2011, str. 88);

(RO) 2006/95/CE (JO L 374, 27.12.2006, p. 10–19); 2006/42/CE (JO L 157, 09.06.2006, p. 24–86); 2004/108/CE (JO L 390, 31.12.2004, p. 24–37); 2011/65/UE a Parlamentului European și a Consiliului din 8 iunie 2011 privind restricțiile de utilizare a anumitor substanțe periculoase în echipamentele electrice și electronice (JO L 174, 01.07.2011, p. 88);

(LV) 2006/95/EK (OV L 374, 27.12.2006., 10./19. lpp.); 2006/42/EK (OV L 157, 9.6.2006., 24./86. lpp.); 2004/108/EK (OV L 390, 31.12.2004., 24./37. lpp.); 2011/65/ES (2011. gada 8. jūnijs) par dažu bīstamu vielu izmantošanas ierobežošanu elektriskās un elektroniskās iekārtās (OV L 174, 1.7.2011., 88 lpp.);

(LT) 2006/95/EB (OL L 374, 2006.12.27, p. 10–19) 2006/42/EB (OL L 157, 2006.6.9, p. 24–86) 2004/108/EB (OL L 390, 2004.12.31, p. 24–37) 2011/65/UE (OJ L 174, 01.07.2011, p. 88–110)

(CZ) 2006/95/ES (Úř. věst. L 374, 27.12.2006, s. 10–19); 2006/42/ES (Úř. věst. L 157, 09.06.2006, s. 24–86); 2004/108/ES (Úř. věst. L 390, 31.12.2004, s. 24–37); 2011/65/EU ze dne 8. června 2011 o omezení používání některých nebezpečných látek v elektrických a elektronických zařízeních (Úř. věst. L 174, 01.07.2011, s. 88);

(GB) and have been manufactured in accordance with the standards:

(LV) un tika izgatavoti atbilstoši normām:

(PL) oraz został(y) wyprodukowany(e) zgodnie z normą(ami):

(LT) bei yra pagamintas pagal normas:

(RO) și au fost produse conform normelor:

(CZ) a byla(y) vyrobená(y) podle normy(em):

EN 60825-1:2007

EN 60745-1:2009+A11:2010 EN 60745-2-11:2010

EN 55014-1:2006+A1:2009 EN 55014-2:1997+A2:2008 EN 61000-3-2:2006+A1:2009+A2:2009 EN 61000-3-3:2008

(GB) the last two digits of the year in which the CE marking was affixed: (PL) dwie ostatnie cyfry roku umieszczenia znaku CE na produkcie(tach): (RO) ultimele două cifre ale anului în care s-a aplicat marcajul CE: (LV) CE marķējuma piestiprināšanas gadskaitļa pēdējā diviem cipariem: (LT) paskutiniai du skaitmenys metų, kada buvo paženklinata: (CZ) poslední dvojčíslí roku, v němž byl výrobek opatřen označením CE:

Mariusz Rotuski**Specjalista ds. Certyfikacji i Zapewnienia Jakości**

(GB) This declaration of conformity is issued under the sole responsibility of the manufacturer. (PL) Niniejsza deklaracja zgodności wydana zostaje na wyłączną odpowiedzialność producenta. (RO) Prezenta declarație de conformitate este emisă pe răspunderea exclusivă a producătorului. (LV) Šī atbilstības deklarācija ir izdota vienīgi uz šāda ražotāja atbildību. (LT) Ši atitikties deklaracija išduota tik gamintojo atsakomybe. (CZ) Toto prohlášení o shodě vydal na vlastní odpovědnost výrobce.

