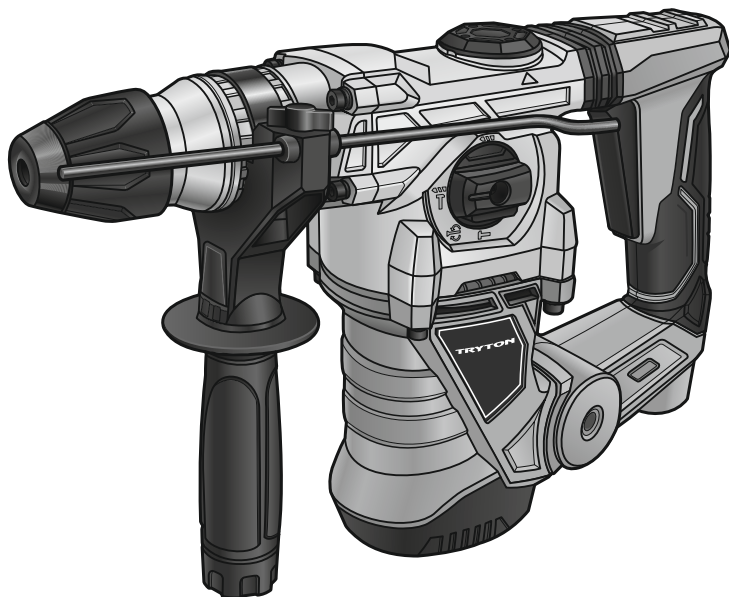


TRYTON

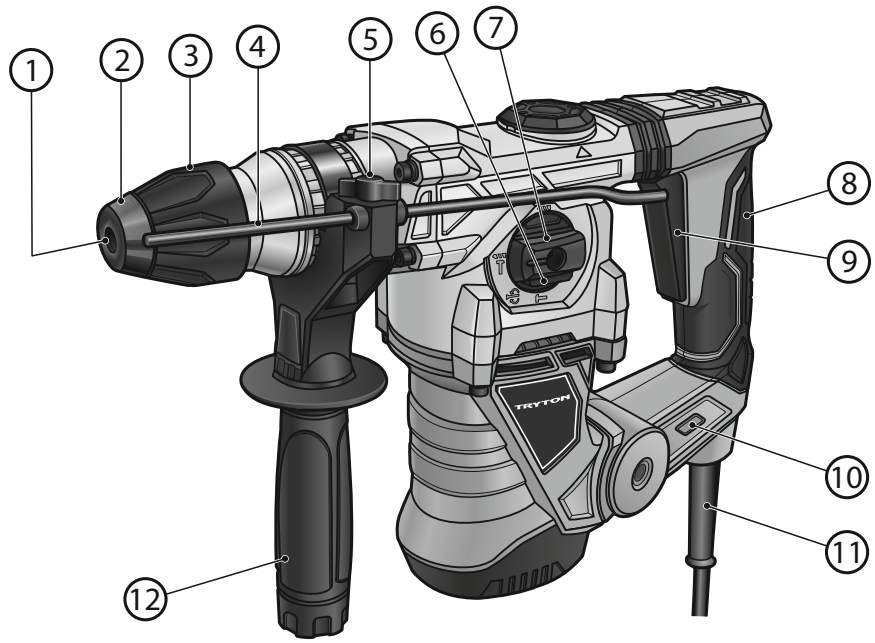
ELEKTRONARZĘDZIA



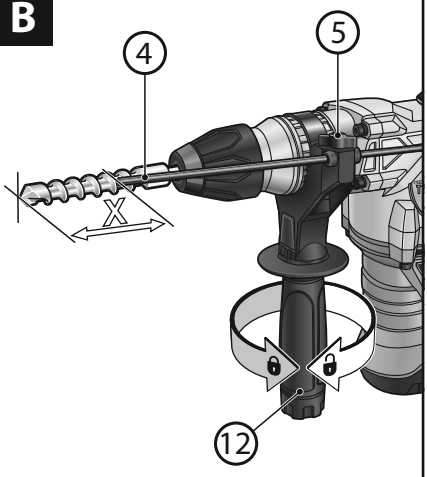
TMM1250

GB Operating instruction	ROTARY HAMMER 4
PL Instrukcja obsługi oryginalna	MŁOTOWIERTARKA 9
RU Инструкция по эксплуатации	ПЕРФОРАТОР 15
RO Instrucții de folosire	BORMAȘINĂ CU PERCUȚIE 22
LV Lietošanas instrukcija	TRIECIENA URBJMAŠĪNA 28
LT Naudojimo instrukcija	GRAŽTAS PERFORATORIUS 34
CZ Návod na obsluhu	VRTACÍ KLADIVO 39

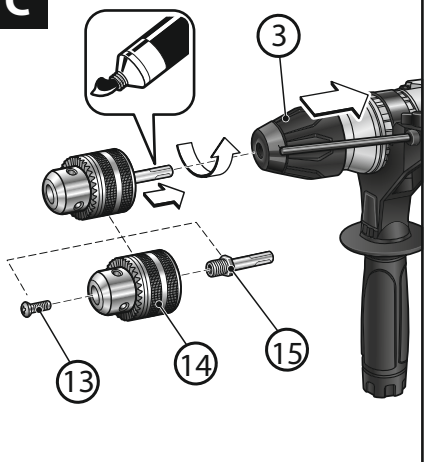
A

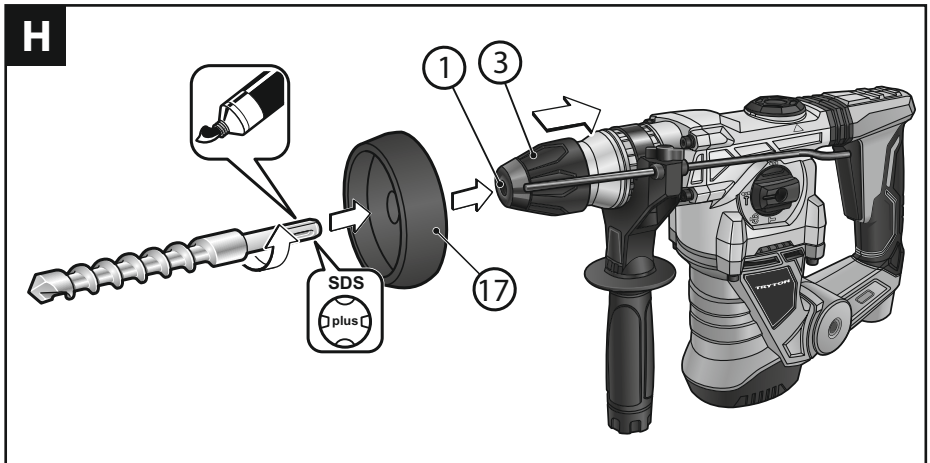
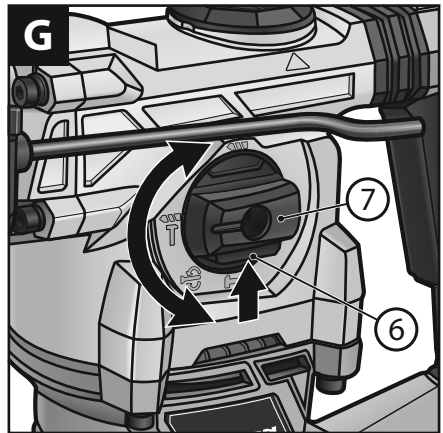
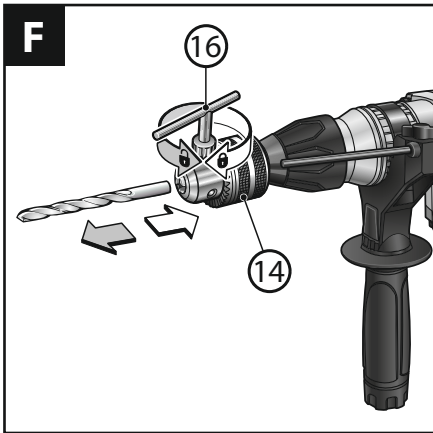
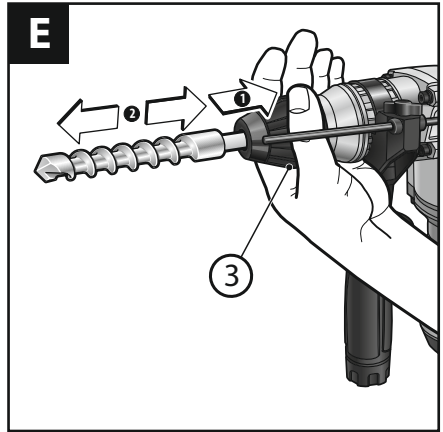
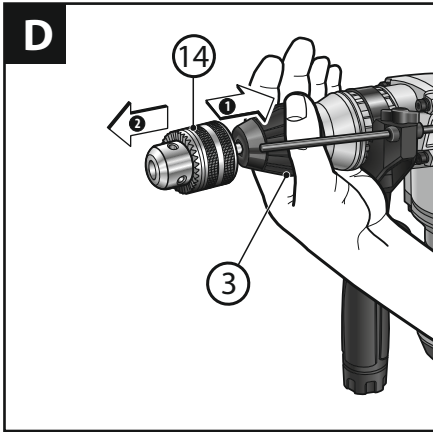


B



C







OPERATING INSTRUCTION ROTARY HAMMER TMM1250


Original text translation



BEFORE YOU START USING THE MACHINE READ THOROUGHLY THIS MANUAL.

Keep this document for future reference.



WARNING! Read all safety warnings marked with a symbol  and all operating safety instructions.

To limit the risk of fire, electric shock and injury while using the device, follow all operating safety instructions and tips provided below.

Keep all work safety instructions and tips for future reference.

In warnings provided herein the expression "power tool" means a power tool powered from the mains (with a power cord) or a battery powered power tool (cordless).



WARNING! General work safety warnings for use of the tool.

Workplace safety:

- Keep your workplace tidy and well lit.** *Untidiness and bad lighting result in higher accident rate.*
- Do not use the power tool in explosive environments, created by flammable liquids, gases or dusts.** *The power tool generates sparks that can ignite dust or vapors.*
- Keep children and unauthorized persons away from the place where the power tools are used.** *Inattention may result in losing control over your power tool.*



WARNING! General warnings regarding the use of power tools.

Electric safety:

- Plugs used in power tools must match wall outlets. Never modify the plug of your power tool. Do not use any extension cables when operating a power tool with a grounding/earthing conductor (PE).** *Any modifications of plugs and outlets increase the risk of electric shock.*
- Avoid touching earthed surfaces or grounded items like pipes, heaters, central heating radiators and refrigerators.** *Touching earthed or grounded surfaces increases the risk of electric shock.*
- Do not expose your power tool to rain or damp environments.** *Water penetrating the tool increases the risk of electric shock.*
- Do not damage the power cord. Never use the power cord to carry, pull the power tool and do not pull by its power cord to disconnect plug from the outlet. Keep the power cord away from sources of heat, oils, sharp edges and moving parts.** *Damaged or entangled power cords increase the risk of electric shock.*
- When your power tool is operated outdoors use extension cords intended for outdoor use only. Using an extension cable intended for outdoor use decreases the risk of electric shock.
- It is recommended to connect the device to a mains supply equipped with a residual current device (RCD) with a rated current of 30 mA or less.**
- When it is unavoidable to use your power tool in a damp environment use an RCD (Residual Current Device) for protection.** *The use of RCDs decreases the risk of electric shock.*



WARNING! General warnings regarding the use of power tools.

Personal safety:

- This equipment is not intended for use by persons (including children) disabled physically, mentally, sensorial or persons with no experience and knowledge in operating the equipment unless they operate the equipment under supervision or follow user's instructions provided by persons responsible for their safety.**
- It is necessary to predict steps, watch and keep common sense when using power tools. Do not operate power tools when you are tired, under influence of drugs, medicine or alcohol.** *A moment of inattention while operating a power tool may result in serious personal injury.*
- Use personal protective equipment (PPE).** *Always wear safety goggles. Wearing personal protective equipment (PPE) including a dust mask, anti-slippery footwear, a helmet and ear protection reduces personal injury.*
- Avoid unexpected start up. Before connecting your power tool to the mains and/or inserting a battery make sure its power switch is in off position.** *Carrying your power tool with a finger on its power switch or without disconnecting it from the mains (switched on) may result in an accident.*
- Before starting your power tool remove any keys/wrenches.** *Leaving a key/wrench in the rotating part of your power tool may result in personal injury.*
- Do not lean forward too far. Always remain stable and maintain balance.** *It will allow you to have a better control over your power tool in unpredictable situations.*
- Wear appropriate clothing. Do not wear loose clothes or jewelry. Keep your hair tied. Keep your clothes away from moving parts.** *Loose clothes, jewelry or long hair may be caught by moving parts.*
- If your power tool allows for using an external dust extraction or collection system, make sure it is connected and used properly. Using dust collectors may reduce dust affected risks.**



WARNING! General warnings regarding the use of power tools.

Use and taking care of your power tool:

- Do not overload your power tool. Use a power tool with power adjusted to work being done.** *An appropriately chosen power tool will allow you to work better and safer under load it has been designed for.*
- Do not use a power tool when its power switch is out of order (it does not switch it on or off).** *Any power tool with its power switch out of order is dangerous and must be repaired.*
- Always disconnect the plug from the power source and/or disconnect its battery before changing any settings, performing replacement or storage.** *Such preventive measures reduce the risk of accidental power tool start up.*
- Keep your power tool out of reach of children and do not allow unauthorized persons to use the power tool.** *Power tools in hands of untrained persons can be dangerous.*

- e) **Power tools require maintenance.** Check power tools for concentricity or jamming of moving parts, any cracks and all other factors affecting the power tool work safety. If any damage to the power tool is detected, it should be repaired before use. *Improper power tool maintenance is a reason for many accidents.*
- f) **Cutting tools should be sharp and clean.** *Keeping sharp cutting edges in good condition reduces the risk of jamming and facilitates operation.*
- g) **Power tools, equipment, working tools etc. should be used according to this user's manual taking into account operating conditions and the work to be done.** *Misusing a power tool can result in dangerous situations.*
- h) **At low temperatures and after a long brakes in operation it is recommended to turn the power tool to operate it with no load for a few minutes to provide proper grease distribution inside its driving mechanism.**
- i) **Use soft, damp (cannot be wet) cloth and soap to clean power tools. Do not use petrol, solvents and other agents that may damage your equipment.**
- j) **Power tools can be stored/carried after making sure that all moving components are locked and protected against release with original devices intended for this purpose.**
- k) **Store power tools in a dry, dust and water-protected place.**
- l) **Carry your power tool in its original packaging to provide protection against mechanical damage.**



WARNING! General warnings regarding the use of power tools.

Repair:

- a) **Warranty and post-warranty repairs of its power tools are carried out by PROFIX Service, which guarantees the best quality of repair and use of genuine spare parts.**



WARNING! ROTARY HAMMER, Additional Safety Warnings –

Personal Safety:

- a) **Wear ear protectors with rotary hammer.** *Long-term effect of noise may lead to damage of hearing or deafness.*
- b) **Hold power tool by insulated gripping surfaces, when performing an operation where the cutting accessory may contact hidden wiring or its own cord.** *Cutting accessory contacting a "live" wire may make exposed metal parts of the power tool "live" and could give the operator an electric shock.*
- c) **Use appropriate detectors to determine if utility lines are hidden in the work area or call the local utility company for assistance.** *Contact with electric lines can lead to fire and electric shock. Damaging a gas line can lead to explosion. Penetrating a water line causes property damage or may cause an electric shock.*
- d) **Do not work materials containing asbestos.** *Asbestos is considered carcinogenic.*
- e) **Keep your workplace clean and tidy.** *Material mixtures are extremely dangerous. Light metal dusts can ignite or explode.*
- f) **Protect the object machined.** *Make sure all clamps are closed and check for excessive clearance. It is safer to fix the object machined in a fixing device or a vice than holding it in your hand.*

- g) **Use auxiliary handles supplied with the tool.** *Loss of control can cause personal injury.*
- h) **Always hold firmly the power tool with your both hands using both the main and auxiliary handle keeping a stable position.** *It is safer to control your power tool with both hands.*
- i) **Turn the power tool immediately when the bit jams.** **Expect intense vibrations that can result in a kickoff.** *The bit jams when the power tool is overloaded or is bent inside the object.*
- j) **Always unplug the tool from the mains socket during breaks, prior to changing bits, during repairs, cleaning or making adjustments. Before you put the power tool aside make sure it is completely stopped.** *The bit can jam resulting in losing control over the power tool.*
- k) **Do not use a power tool with its power cord damaged. Do not touch the power cord when damaged; in case of damaging the power cord during operation unplug it from the mains.** *Damaged power cords increase the risk of electric shock.*
- l) **If the power cord is damaged, it must be replaced with a special cord available from an authorized service center.**

APPLICATION AREA AND DESIGN OF THE HAMMER DRILL:

The rotary hammer is designed for impact drilling of boreholes in concrete, bricks and stone, as well as for light chiselling work. It can be also used for drilling in wood, metals, ceramic items or plastics when the impact functionality is switched off.

It is absolutely prohibited to use the tool in other applications.

The rotary hammer is driven by a vertical single-phase brushed motor.

The tool is not suitable for long-term heavy duty applications. It cannot be used for jobs requiring professional tools.

Each application of the tool not in line with the intended use as specified below is strictly forbidden and makes the warranty terms null and void. The manufacturer shall not be held responsible for possible consequential damage that may arise due to or in connection with such application.

Any modifications of the tool by the user relieve the manufacturer from responsibility for any damage and injuries to the user and the surroundings.

Application of the tool in accordance with the intended use also refers to its maintenance, storage, transportation and repairs.

Defective electric tools can be handed over for repairs exclusively to service workshops appointed by the tool manufacturer. The tools supplied from electric grid shall be repaired exclusively by authorized electricians.

Despite using the tool according to its intended application it is impossible to eliminate certain residual risk factors. Considering the tool construction the following risks may occur when operating the tool:

- Contact of a rotating working tool during drilling with the operator's hand or clothes or contact with the power cord.
- Scalding at replacement of a working tool (During drilling the working tool gets very hot; to avoid scalding operators must wear protecting gloves when they replace working tools).
- Outburst of treated material or chips from treated material.
- Bending /breaking of a working tool.

■ Delivery kit:

- Rotary hammer – 1 pc.
- Auxiliary handle – 1 pc.

- Drilling depth limiter – 1 pc.
- Flat chisel – 1 pc.
- Point chisel – 1 pc.
- SDS-plus drilling tools – 3 pcs. (8, 10, 12 mm)
- Rubber ring for dust collection – 1 pc.
- Carbon brushes – 2 pcs.
- Transportation case – 1 pc.
- User's manual – 1 pc.
- Warranty card – 1 pc.

■ Device components

The numbers of tool components refer to the image presented on pages 2-3 of the user manual:

- Fig. A**
1. SDS-plus tool holder
 2. Dust protection hood
 3. Locking sleeve
 4. Drilling depth limiter
 5. Fixing screw to fit the drilling depth limiter
 6. Button to release locking of the operation mode selector switch
 7. Operation mode selector switch
 8. Main handle with a slip resistant pad
 9. On/Off trigger
 10. Power voltage LED indicator
 11. Power cord
 12. Auxiliary handle

- Fig. C**
13. Securing bolt for the drilling chuck with a toothed ring*

14. Drilling chuck with a toothed ring*
15. Adapter stud to fix the drilling chuck to the SDS-plus socket*

- Fig. F**
16. Key for the drilling chuck with a toothed ring*

- Fig. H**
17. Rubber ring for dust collection

*Not all accessories presented or described herein are provided as standard with the power tool.

SPECIFICATIONS:

Voltage	230 V-240 V
Frequency	50 Hz
Power consumption	1250 W
No load speed n_0	0-850 rpm
Impact rate (bpm) /Impact energy	0-4500 rpm / 5 J
Drill chuck	SDS-plus
Maximum hole diameter	steel - 13 mm
	concrete - 30 mm
	wood - 40 mm
Weight (with no accessories)	5,0 kg
Equipment Class	II/II
Ingress protection	IP20
Sound pressure level (LpA) (± 3 dB(A))	90,9 dB(A)
Sound power level (LwA) (± 3 dB(A))	101,9 dB(A)

Vibration level according to valid standard:		EN 60745-2-6
- hammer drilling in concrete $a_{h,HD}$	main handle	13,59 m/s ²
	auxiliary handle	11,265 m/s ²
- chiseling $a_{h,Chis}$	main handle	14,30 m/s ²
	auxiliary handle	14,501 m/s ²
- tolerance of measurements		1,5 m/s ²

The vibration level value given refers to basic application of the tool. If the tool is used for other applications or with other tools, or if it is not maintained properly, the vibration level may differ from the values given. The above-mentioned causes may lead to higher exposure to vibrations during the whole work time.

One must implement additional safety measures to protect the operators from exposure to vibrations, such as maintenance of the electric tool and work tools, assurance of proper hand temperature, or determination of the sequence of work operations.

BEFORE YOU START:

1. Make sure that the power source parameters match the tool parameters on the data plate.
2. Make sure that the on/off switch (9) of the tool is in the off position.
3. Always work with use of the auxiliary handle (12). Risk of accidents at work can be avoided or mitigated if the machine is reliably held in both hands. The auxiliary handle is to be attached by encompassing the tool holder with the handle clamp and then the clamp is locked by rotating the handle clockwise.

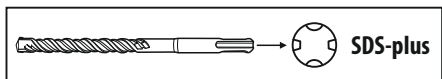
The auxiliary handle can be swiveled to whichever direction to enable the operator to work in a convenient position of the body and to avoid excessive fatigue. After rotating the handle anticlockwise swivel it to the desired position and the retighten the clamp by rotating the handle clockwise for final fixation (Fig. B).

4. While using an extension cord make sure that its parameters and wire cross-sections match the tool parameters. Extension cords should be as short as possible. When in use extension cords must be fully uncoiled.

ADJUSTMENT DURING WORKING WITH THE TOOL:

■ Selection of drilling tools (bits)

For impact drilling in concrete, bricks or stone as well as for chiseling one has to use SDS-plus tools that are to be inserted into the SDS-plus holder (1) of the machine.



To drill boreholes in steel or wood the tools without the SDS-plus functionality are used (e.g. drilling bits with cylindrical shanks). For such tools quick locking drilling chucks or chucks with a toothed ring are necessary.

CAUTION: Do never use tools without the SDS-plus functionality for impact drilling or chiseling! The non-SDS-plus tools and corresponding drilling chucks shall definitely get damaged during impact drilling or chiseling.

■ Installation of the drilling chuck with a toothed ring (Fig. C)

- Screw the SDS-plus adapter stud (15) into the drilling chuck with a

toothed ring (14).

- Lock the drilling chuck with a toothed ring (14) with use of the securing bolt (13).

NOTE: Please remember that the securing bolt has the left-hand thread.

- Clean the rear end of the tool to be installed and lithium grease it slightly.
- Move the locking sleeve (3) back as far as possible and hold it in this position.
- Slide the adapter stud into the SDS-plus tool holder (1) with simultaneous rotation of the drilling chuck.
- Release the lock sleeve.
- Check reliability of locking by pulling the drilling chuck with a toothed ring outwards.

■ Removing of the drilling chuck with a toothed ring (Fig. D)

- Pull the locking sleeve (3) backwards and slide the drilling chuck with a toothed ring (14) out of the tool holder.
- After removing the replaceable drilling chuck with a toothed ring (14) must be protected from dirt. When necessary, slightly grease the toothed dog.

■ Tool replacement

The SDS-plus tool holder makes it possible to replace a working tool easily and conveniently with no need to use additional tools.

Due to the system feature, working tools of the SDS-plus type move in the holder with a little play. It is why axial run-out occurs when the machine runs with the idle speed. It has no influence onto dimension accuracy of the borehole to be drilled as the drilling bit is self-centered during drilling.

The dust protection hood (2) substantially prevents from penetration of dust into the tool holder during the machine operation. Take care to avoid damaging the dust hood (2) while inserting a tool into the tool holder.

Damaged dust protection hood must be immediately replaced. It is recommended to have the dust hood replaced at a service workshop.

■ Installation of the SDS-plus working tool (Fig. E)

- Clean the rear end of the tool to be installed and grease it slightly.
- Move the locking sleeve (3) back as far as possible and hold it in this position.
- Insert the tool into the tool holder by rotating it until resistance is felt.
- Release the lock sleeve.
- Check reliability of locking by pulling the tool outwards.

■ Removing SDS-plus working tool (Fig. E)



CAUTION: Right after completion of working the tool may be really hot. Avoid direct contact with a tool and wear appropriate protecting gloves.

- Push back the locking sleeve (3) and remove the tool.
- Clean the working tool carefully after removing it from the chuck.

■ Installation of working tools without SDS-plus functionalities (Fig. F)

- Install the drilling chuck with a toothed ring (14).
- Open the drilling chuck with a toothed ring by rotating the sleeve so much as to enable sliding the working tool shank into the chuck. Insert the working tool.
- Insert the key (16) into appropriate holes of the drilling chuck with a toothed ring and uniformly fix the working tool.
- Reposition the switch (7) into the symbol 'No-impact drilling' -

■ Removing working tools without SDS-plus functionalities (Fig. F)



CAUTION: Right after completion of working the tool may be really hot. Avoid direct contact with a tool and wear appropriate protecting gloves.

- Use the key (16) designed for the drilling chuck to rotate the sleeve of the drilling chuck with a toothed ring (14) clockwise until the working tool is released.
- Clean the working tool carefully after removing it from the chuck.

■ Selection of the operation mode (Fig. G)

NOTE: The operation mode of the machine can be switched over only when the machine is off! Otherwise the electric device may be damaged.

Operation mode of the machine can be selected with use of the operation mode selector switch (7).

To change the operation mode it is necessary to depress the button (6) that releases locking of the operation mode selector switch and reposition the switch to the desired position until engagement of the locking pawl is heard.

No-impact drilling:

Set the switch (7) to the symbol -

Impact drilling:

Set the switch (7) to the symbol -

Chiseling (rotation disabled):

Set the switch (7) to the symbol -

When the switch is set to the position 'Chiseling', the impact rate is automatically increased, which enables the tool to perform chiseling with the higher performance.

Repositioning of the chisel:

Insert a chisel into the tool holder.

Rotate the operation mode switch (7) to the position -

Rotate the tool holder to set the chisel to the desired working position.

Set the operation mode selector switch (7) to the position 'Chiseling'. Thus, the tool holder is locked in its position.

While chiseling the operation mode selector switch (7) must always remain in the position 'Chiseling'.

■ Adjustment of the drilling depth (Fig. B)

The drilling depth limiter (4) is designed to set the desired depth of the drilling bit immersion X into the material. For that purpose do the following:

- insert the shank of the SDS-plus working tool into the holder (1) and drive it home. Otherwise, excessive play of the SDS-plus tool may lead to incorrect setting of the drilling depth;
- release the fixing screw (5) for the drilling depth limiter and slide the limiter (4) so much as to make the distance between the tip of the drilling bit and the tip of the limiter correspond to the desired drilling depth X,
- lock the depth limiter by tightening the fixing screw.

■ Turning on/off

- To turn the power tool on press its On/Off trigger (9) and keep it pressed.
- To turn the power tool off just release the On/Off trigger (9).

■ Setting of the rotation speed/impact rate

By adjustment of the force the On/Off trigger (9) is depressed with one can control the rotation speed/impact rate in the infinitely continuous

manner.

Slight depressing the On/Off trigger (9) moves the machine with the low rotation speed/impact rate.

The stronger the On/Off trigger (9) is depressed the faster the machine rotates.

■ **Overload safety coupling**

When the running tool is seized or jammed, the driving torque is no longer transmitted to the spindle of the rotary hammer. Due to excessive forces and torques occurring when the machine is running operators should always reliably hold the machine with two hands and take a steady position of the body.

When the running tool is seized, it is necessary to switch the machine off and release the tool. Be careful as switching the seized machine on leads to strong and rapid reaction torques.

■ **LED indicator**

The green LED indicator for the power voltage (10) goes on when the machine is connected to the electric power grid. When the indicator is on and the machine fails to start it may be the case that carbon brushes are worn out or the electric circuit of the machine motor is damaged.

When the LED indicator for the power voltage (10) is off and the machine fails to start it may be the case that the On/Off trigger or the power cord is defective.

■ **Fully vibration-dampened main handle**

The dampers in the main handle (8) absorb the vibrations transmitted to the user. This improves user comfort during the operation.

TIPS REGARDING OPERATION:

- To drill holes in ceramic tiles set the operation mode switch (7) to position 'No-impact drilling'. Once the hole in the ceramic tile is ready, set the operation mode switch to position 'impact drill' and continue drilling in this mode.
- When drilling in concrete, stone or walls hard alloy drill bits should be used.
- While drilling holes in a ceiling use a rubber dust collection ring (17), which should be installed on the drill bit (see Fig. H) to protect the tool against the falling dust.
- When drilling in metal use sharp metal drill bits only.

STORAGE AND MAINTENANCE:

Store the machine in a place away from children, keep it clean and protect from humidity and dust. Storage conditions should exclude any mechanical damage and weathering.

External plastic parts of the machine can be cleaned with use of a wet cloth and a mild cleaning agent. **NOTE: NEVER use any solvent-based cleaning agents.**

After drilling in concrete, in an intensely dusty environment, it is recommended to remove dust from ventilation holes and the chuck with compressed air (at a pressure of up to 0,3 MPa). It will prevent damage to the bearings and will remove the dust obstructing air flow to cool the motor.

Maintenance includes a periodic gearbox grease replacement. Replace

the grease every 40-50 hours of operation.

Grease replacement should be carried out only by a specialized service centre or a qualified person to avoid any damage to the tool.

TRANSPORTATION:

The rotary hammer should be transported and stored in its transportation case that protects the tool from moisture, penetration of dust and fine particles. In particular it is necessary to protect the ventilation openings. Small objects that get into the device can damage the motor.

TROUBLESHOOTING GUIDE (TYPICAL PROBLEMS):

The tool does not work:

- check if the power cord is connected properly and check fuses,

The rotary hammer works with jerks or sparks are visible:

- check and replace carbon brushes.

NOTE! Carbon brushes can be replaced only by competent electricians.

- if the power tool does not work despite being supplied from a proper power source, have the tool repaired sending it to the service center located at the address specified in warranty card.

MANUFACTURER:

PROFIX Ltd., 34 Marywilska Street, 03-228 Warsaw, POLAND.

PROTECTION OF THE ENVIRONMENT:



NOTE: The symbol nearby denotes that old equipment must never be thrown away together with other waste (with the penalty of a fine). Hazardous components of electronic equipment may adversely affect the natural environment and human health.

Each household may contribute to the recovery and reuse (recycling) of old machinery and equipment. Both in Poland and Europe a system for recovery of used equipment either exists or is being created. The system obliges all organizations that sell such equipment to collect the used machinery and appliances. Moreover, general purpose collecting points for such equipment are available.

PICTOGRAMS:

Explanation of the icons located on the nominal plate and the information tags.



— «Read this instruction before switching on the power supply and starting the work»



— «Always wear safety goggles»



— «Wear hearing protection»



— «Wear a dust mask»



The policy of the PROFIX company consists in permanent improvements of the offered products and therefore the company reserves the right to make amendments to the product specification without a prior notice. The images included into the operation manual are only of the exemplary nature and may slightly differ from actual appearance of the device purchased.


This instruction manual is protected by copyright. Copying it without the written consent of PROFIX Co. Ltd. is prohibited.



PRZED PRZYSTĄPIENIEM DO UŻYTKOWANIA NALEŻY ZAPOZNAĆ SIĘ NINIEJSZĄ INSTRUKCJĄ.

Zachowaj instrukcję do ewentualnego przyszłego wykorzystania.



OSTRZEŻENIE! Należy przeczytać wszystkie ostrzeżenia dotyczące bezpieczeństwa użytkowania oznaczone symbolem  i wszystkie wskazówki dotyczące bezpieczeństwa użytkowania.

Nieprzestrzeżenie podanych niżej ostrzeżeń dotyczących bezpieczeństwa i wskazówek dotyczących bezpieczeństwa może być przyczyną porażenia prądem elektrycznym, pożaru i/lub poważnych obrażeń.

Zachowaj wszystkie ostrzeżenia i wskazówki dotyczące bezpieczeństwa, aby móc skorzystać z nich w przyszłości.

W podanych niżej ostrzeżeniach wyrażenie „elektronarzędzie” oznacza elektronarzędzie zasilane z sieci (z przewodem zasilającym) lub elektronarzędzie zasilane z akumulatora (bezprowadowe).



OSTRZEŻENIE! Ogólne ostrzeżenia dotyczące bezpieczeństwa użytkowania narzędzia.

Bezpieczeństwo w miejscu pracy:

- W miejscu pracy należy utrzymywać porządek i dobre oświetlenie. Nieporządek i złe oświetlenie przyczynia się do wypadków.
- Nie należy używać elektronarzędzia w środowiskach wybuchowych, tworzonych przez łatwo palne ciecze, gazy lub pyły. Elektronarzędzie wytwarza iskry, które mogą zapalić pył lub opary.
- Nie należy dopuszczać dzieci i obserwatorów do miejsc, w których używa się elektronarzędzi. Rozproszenie uwagi może spowodować utratę kontroli nad elektronarzędziem.



OSTRZEŻENIE! Ogólne ostrzeżenia dotyczące bezpieczeństwa użytkowania narzędzia.

Bezpieczeństwo elektryczne:

- Wtyczki elektronarzędzi muszą pasować do gniazdek. Nigdy w żaden sposób nie należy przerabiać wtyczki. Nie należy używać żadnych przedłużaczy w przypadku elektronarzędzi mających przewód z żyłą uziemienia ochronnego. Brak przeróbek we wtyczkach i gniazdkach wtyczkowych zmniejsza ryzyko porażenia prądem elektrycznym.
- Należy unikać dotykania powierzchni uziemionych lub zwartych z masą, takich jak rury, ogrzewacze, grzejniki centralnego ogrzewania i chłodziarki. W przypadku dotknięcia części uziemionych lub zwartych z masą, wzrasta ryzyko porażenia prądem elektrycznym.
- Nie należy narażać elektronarzędzi na działanie deszczu lub warunków wilgotnych. W przypadku przedostania się do elektronarzędzia wody, wzrasta ryzyko porażenia prądem elektrycznym.
- Nie należy nadwierać przewodów przyłączeniowych. Nigdy nie należy używać przewodu przyłączeniowego do przenoszenia, ciągnięcia elektronarzędzia lub wyciągania wtyczki z gniazdka. Należy trzymać przewód przyłączeniowy z

daleka od źródeł ciepła, olejów, ostrych krawędzi lub ruchomych części. Uszkodzone lub zaplątane przewody przyłączeniowe zwiększają ryzyko porażenia prądem elektrycznym.

- W przypadku, gdy elektronarzędzie używa się na wolnym powietrzu, przewody przyłączeniowe należy przedłużać przedłużaczami przeznaczonymi do pracy na wolnym powietrzu. Używanie przedłużacza przeznaczonego do pracy na wolnym powietrzu zmniejsza ryzyko porażenia prądem elektrycznym.
- Zaleca się podłączenie urządzenia do sieci elektrycznej wyposażonej w wyłącznik różnicowo-prądowy (RCD) o prądzie wyłączenia 30mA lub mniejszym.
- W przypadku, gdy używanie elektronarzędzia w środowisku wilgotnym jest nieuniknione, jako ochronę przed napięciem zasilania należy stosować urządzenie różnicowoprądowe (RCD). Zastosowanie RCD zmniejsza ryzyko porażenia prądem elektrycznym.



OSTRZEŻENIE! Ogólne ostrzeżenia dotyczące bezpieczeństwa użytkowania narzędzia.

Bezpieczeństwo osobiste:

- Niniejszy sprzęt nie jest przeznaczony do użytkowania przez osoby (w tym dzieci) o ograniczonej zdolności fizycznej, czuciowej lub psychicznej, lub osoby nie mające doświadczenia lub znajomości sprzętu, chyba że odbywa się to pod nadzorem lub zgodnie z instrukcją użytkowania sprzętu, przekazanej przez osoby odpowiadające za ich bezpieczeństwo.
- Należy być przewidującym, obserwować co się robi i zachowywać rozsądek podczas używania elektronarzędzia. Nie należy używać elektronarzędzia, gdy jest się zmęczonym lub pod wpływem narkotyków, alkoholu lub leków. Chwila nieuwagi podczas pracy elektronarzędziem może spowodować poważne osobiste obrażenia.
- Należy stosować wyposażenie ochronne. Należy zawsze zakładać okulary ochronne. Używanie w odpowiednich warunkach wyposażenia ochronnego, takiego jak maska przeciwpyłowa, obuwie antypoślizgowe, kask lub ochronniki słuchu, zmniejsza osobiste obrażenia.
- Należy unikać niezamierzonego rozruchu. Przed przyłączeniem do źródła zasilania i/lub przed podłączeniem akumulatora oraz zanim podniesie się lub przeniesie się narzędzie należy upewnić się, że wyłącznik elektronarzędzia jest w pozycji wyłączony. Przenoszenie elektronarzędzia z palcem na wyłączniku lub przyłączenie elektronarzędzia do sieci zasilającej przy załączonym wyłączniku może być przyczyną wypadku.
- Przed uruchomieniem elektronarzędzia należy usunąć wszystkie klucze. Pozostawienie klucza w obracającej się części elektronarzędzia może spowodować osobiste obrażenia.
- Nie należy wychylać się za daleko. Należy cały czas stać pewnie i zachować równowagę. Umożliwi to lepszą kontrolę nad elektronarzędziem w sytuacjach nieprzewidywalnych.
- Należy odpowiednio się ubierać. Nie należy nosić luźnego ubrania ani biżuterii. Należy utrzymywać swoje włosy,

ubranie i rękawiczki z dala od części ruchomych. Luźne ubrania, biżuteria lub długie włosy mogą zostać zacepione przez części ruchome.

- h) Jeżeli urządzenia są przystosowane do przyłączenia zewnętrznego odciągu pyłu i pochłaniacza pyłu, należy upewnić się, że są one przyłączone i prawidłowo użyte. Użycie pochłaniacza pyłu może zredukować zagrożenia zależne od zapylenia.



OSTRZEŻENIE! Ogólne ostrzeżenia dotyczące bezpieczeństwa użytkowania narzędzia.

Użytkowanie i troska o elektronarzędzie:

- a) Nie należy elektronarzędzia przeciążać. Należy stosować elektronarzędzie o mocy odpowiedniej do wykonywanej pracy. Właściwe elektronarzędzie umożliwi pracę lepszą i bezpieczniejszą przy obciążeniu, na jakie zostało zaprojektowane.
- b) Nie należy używać elektronarzędzia, jeżeli łącznik go nie załącza i nie wyłącza. Każde elektronarzędzie, którego nie można załączyć lub wyłączyć łącznikiem, jest niebezpieczne i musi zostać naprawione.
- c) Należy odłączyć wtyczkę ze źródła zasilania elektronarzędzia i/lub odłączyć akumulator przed wykonaniem każdej nastawy, wymiany części lub magazynowaniem. Takie zapobiegawcze środki bezpieczeństwa redukują ryzyko przypadkowego rozruchu elektronarzędzia.
- d) Nieużywane elektronarzędzie należy przechowywać poza zasięgiem dzieci i nie należy pozwalać osobom niezaznajomionym z elektronarzędziem lub niniejszą instrukcją na używanie elektronarzędzia. Elektronarzędzia są niebezpieczne w rękach nieprzeszkolonych użytkowników.
- e) Elektronarzędzia należy konserwować. Należy sprawdzać współosiowość lub zakleszczenie się części ruchomych, pęknięcia części i wszystkie inne czynniki, które mogą mieć wpływ na pracę elektronarzędzia. Jeżeli stwierdzi się uszkodzenia, należy elektronarzędzie przed użyciem naprawić. Przyczyną wielu wypadków jest niefachowy sposób konserwacji elektronarzędzia.
- f) Narzędzia tnące powinny być ostre i czyste. Odpowiednie utrzymywanie ostrych krawędzi narzędzi tnących zmniejsza prawdopodobieństwo zakleszczenia i ułatwia obsługę.
- g) Elektronarzędzie, wyposażenie, narzędzia robocze itp. należy stosować zgodnie z niniejszą instrukcją, biorąc pod uwagę warunki pracy i rodzaj pracy do wykonania. Używanie elektronarzędzia w sposób, do jakiego nie jest przewidziane, może spowodować niebezpieczne sytuacje.
- h) W niskich temperaturach, lub po dłuższym okresie nie użytkowania, zalecane jest włączenie elektronarzędzia bez obciążenia na okres kilku minut w celu właściwego rozprowadzenia smaru w mechanizmie napędu.
- i) Do czyszczenia elektronarzędzi stosować miękką, wilgotną (nie mokra) szmatkę i mydło. Nie stosować benzyny, rozpuszczalników i innych środków mogących uszkodzić urządzenie.
- j) Elektronarzędzie należy przechowywać/transportować po upewnieniu się, że wszystkie jego elementy ruchome są zablokowane i zabezpieczone przed odblokowaniem za pomocą oryginalnych elementów do tego przeznaczonych.

- k) Elektronarzędzie należy przechowywać w miejscu suchym, zabezpieczone przed kurzem i wnikaniem wilgoci.

- l) Transportowanie elektronarzędzia powinno odbywać się w opakowaniu oryginalnym, zabezpieczającym przed uszkodzeniami mechanicznymi.



OSTRZEŻENIE! Ogólne ostrzeżenia dotyczące bezpieczeństwa użytkowania narzędzia.

Naprawa:

- a) Naprawy gwarancyjne i pogwarancyjne swoich elektronarzędzi wykonuje Serwis PROFIX, co gwarantuje najwyższą jakość napraw oraz stosowanie oryginalnych części zamiennych.



OSTRZEŻENIE! MŁOTOWIERTARKA, ostrzeżenia dotyczące bezpieczeństwa

Bezpieczeństwo osobiste:

- a) Należy stosować środki ochrony słuchu. Długotrwały wpływ hałasu może spowodować utratę słuchu.
- b) Podczas wykonywania prac, przy których narzędzie robocze mogłoby natrafić na ukryte przewody elektryczne lub na własny przewód zasilający, elektronarzędzie należy trzymać za izolowane powierzchnie rękojeści. Kontakt z przewodem sieci zasilającej może spowodować przekazanie napięcia na części metalowe elektronarzędzia, co mogłoby spowodować porażenie prądem elektrycznym.
- c) Należy używać odpowiednich przyrządów poszukiwawczych w celu lokalizacji ukrytych przewodów zasilających, lub poprosić o pomoc administrację obiektu. Kontakt z przewodami znajdującymi się pod napięciem może doprowadzić do powstania pożaru i porażenia elektrycznego. Uszkodzenie przewodu gazowego może doprowadzić do wybuchu. Wniknięcia do przewodu wodociągowego powodują uszkodzycie.
- d) Nie należy obrabiać materiału zawierającego azbest. Azbest powoduje chorobę nowotworową.
- e) Miejsce pracy należy utrzymywać w czystości. Mieszanki materiałów są szczególnie niebezpieczne. Pył z metalu lekkiego może się zapalić lub wybuchnąć.
- f) Należy zabezpieczyć obrabiany przedmiot. Upewnić się, czy wszystkie zaciski mocujące są ściśnięte i zweryfikować, aby nie było przesadnego luzu. Zamocowanie obrabianego przedmiotu w urządzeniu mocującym lub imadło jest bezpieczniejsze niż trzymanie go w rękę.
- g) Narzędzia używać z dodatkowymi rękojeściami dostarczonymi z narzędziem. Utrata kontroli może spowodować osobiste obrażenia operatora.
- h) Elektronarzędzie podczas pracy należy mocno trzymać oburącz i dbać o stabilną pozycję. Elektronarzędzie prowadzone jest bezpiecznie w obydwu rękach.
- i) Należy natychmiast wyłączyć elektronarzędzie, gdy zablokuje się używane narzędzie. Należy być przygotowanym na wysokie wibracje, które powodują odrzut. Używane narzędzie zablokuje się, gdy: elektronarzędzie jest przeciążone, lub gdy skrzywi się w obrabianym przedmiocie.
- j) Należy odłączyć maszynę od sieci elektrycznej podczas przerwy w pracy, podczas wymiany nasadek, remontu, czyszczenia lub regulacji. Przed odłożeniem elektro-

narzędzia, należy poczekać, aż znajdzie się ono w bezruchu.

Narzędzie robocze może się zablokować i doprowadzić do utraty kontroli nad elektronarzędziem.

- k) **Nie wolno używać elektronarzędzia z uszkodzonym przewodem zasilającym. Nie należy dotykać uszkodzonego przewodu; w przypadku uszkodzenia przewodu podczas pracy, należy wyciągnąć wtyczkę z gniazda. Uszkodzone przewody podwyższają ryzyko porażenia prądem.**
- l) **Jeżeli przewód przyłączeniowy zasilający elektronarzędzie jest uszkodzony, to musi zostać zastąpiony przewodem przyłączeniowym dostępnym w sieci serwisu.**

PRZEZNACZENIE I BUDOWA MŁOTOWIERTARKI:

Młotowiertarka jest przeznaczona do wiercenia udarowego otworów w betonie, cegle i kamieniu oraz do lżejszych prac związanych z dławaniem. Stosować ją można również do wiercenia bez udaru w drewnie, metalu, ceramice i tworzywie sztuczne.

Kategorycznie wyklucza się wykorzystanie urządzenia do wszelkich innych celów.

Młotowiertarka jest napędzana ułożonym pionowo silnikiem jednofazowym szcztokowym.

Urządzenie nie nadaje się do długotrwałych robót w ciężkich warunkach. Nie wolno wykorzystywać je do wykonywania prac wymagających zastosowania profesjonalnego urządzenia.

Każde użycie elektronarzędzia niezgodne z przeznaczeniem podanym wyżej jest zabronione i powoduje utratę gwarancji oraz brak odpowiedzialności producenta za powstałe w wyniku tego szkody.

Jakiegokolwiek modyfikacje urządzenia dokonane przez użytkownika zwalniają producenta z odpowiedzialności za uszkodzenia i szkody wyrządzone użytkownikowi i otoczeniu.

Poprawne użytkowanie elektronarzędzia dotyczy także konserwacji, składowania, transportu i napraw.

Elektronarzędzie może być naprawiane wyłącznie w punktach serwisowych wyznaczonych przez producenta. Urządzenia zasilane z sieci powinny być naprawiane tylko przez osoby uprawnione.

Pomimo zgodnego z przeznaczeniem stosowania nie można całkowicie wyeliminować określonych czynników ryzyka resztkowego. Ze względu na konstrukcję i budowę maszyny mogą wystąpić następujące niebezpieczeństwa:

- Dotknięcie obracającego się narzędzia roboczego w trakcie pracy ręką lub ubraniem operatora, przewodem zasilającym.
- Oparzenie przy wymianie narzędzia roboczego. (Podczas pracy narzędzie robocze bardzo się rozgrzewa, żeby uniknąć oparzenia przy jego wymianie należy stosować rękawice ochronne).
- Odrzucenie przedmiotu obrabianego lub części przedmiotu obrabianego.
- Skrzywienie/złamanie narzędzia roboczego.

■ Kompletacja

- Młotowiertarka - 1 szt.
- Rękojeść pomocnicza - 1 szt.
- Ogranicznik głębokości wiercenia - 1 szt.
- Dłuto płaskie - 1 szt.
- Szpicak - 1 szt.
- Wiertła SDS-plus - 3 szt. (8, 10, 12 mm)
- Pierścieni gumowy do zbierania pyłu - 1 szt.
- Szczotki węglowe - 2 szt.

- Kufer transportowy - 1 szt.
- Instrukcja obsługi - 1 szt.
- Karta gwarancyjna - 1 szt.

■ Elementy urządzenia

Numeracja elementów urządzenia odnosi się do przedstawienia graficznego umieszczonego na stronach 2-3 instrukcji obsługi:

Rys. A 1. Uchwyt narzędziowy SDS-plus

2. Osłona przeciwpyłowa
3. Tuleja zaryglowania
4. Ogranicznik głębokości wiercenia
5. Śruba mocowania ogranicznika głębokości wiercenia
6. Przycisk zwalnający blokadę przełącznika trybu pracy
7. Przełącznik trybu pracy
8. Rękojeść główna z nakładką antypoślizgową
9. Włęcznik
10. Diodowy wskaźnik włączania zasilania
11. Przewód zasilający
12. Rękojeść pomocnicza

Rys. C 13. Śruba zabezpieczająca uchwyt wiertarski z wieńcem zębataym*

14. Uchwyt wiertarski z wieńcem zębataym*

15. Trzpień mocujący SDS-plus do uchwytu wiertarskiego*

Rys. F 16. Klucz do uchwytu wiertarskiego z wieńcem zębataym*

Rys. H 17. Pierścieni gumowy do zbierania pyłu

** Opisany lub przedstawiony osprzet nie należy w całości do wyposażenia standardowego elektronarzędzia.*

DANE TECHNICZNE:

Napięcie zasilania	230 V-240 V	
Częstotliwość zasilania	50 Hz	
Moc pobierana	1250 W	
Prędkość obrotowa bez obciążenia	0-850 /min	
Liczba ударów / energia udaru	0-4500 min ⁻¹ / 5 J	
Uchwyt narzędziowy	SDS-plus	
Maksymalna średnica wiercenia	stal - 13 mm	
	beton - 30 mm	
	drewno - 40 mm	
Masa (bez akcesoriów)	5,0 kg	
Klasa narzędzia	II/II	
Stopień ochrony	IP20	
Poziom ciśnienia akustycznego LpA (±3dB(A))	90,9 dB(A)	
Poziom mocy akustycznej LwA (±3dB(A))	101,9 dB(A)	
Poziom wibracji wg normy:	EN 60745-2-6	
- wiercenie młotka w betonie a _{h10}	rękojeść główna	13,59 m/s ²
	rękojeść pomocnicza	11,265 m/s ²
- dławowanie a _{Ohq}	rękojeść główna	14,30 m/s ²
	rękojeść pomocnicza	14,501 m/s ²
- tolerancja pomiaru		1,5 m/s ²

Podany poziom drgań jest reprezentatywny dla podstawowych zastosowań elektronarzędzia. Jeżeli elektronarzędzie użyte zostanie do innych zastosowań lub z innymi narzędziami roboczymi, a także jeśli nie będzie wystarczająco konserwowane, poziom wibracji może odbiegać od podanego.

Podane powyżej przyczyny mogą spowodować podwyższenie ekspozycji na wibracje podczas całego czasu pracy. Należy wprowadzić dodatkowe środki bezpieczeństwa, mające na celu ochronę operatora przed skutkami ekspozycji na wibracje, np.: konserwacja elektronarzędzia i narzędzi roboczych, zabezpieczenie odpowiedniej temperatury rąk, ustalenie kolejności operacji roboczych.

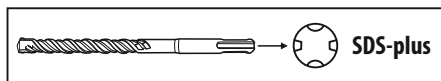
PRZED PRZYSTĄPIENIEM DO PRACY:

1. Upewnić się, że źródło zasilania ma parametry odpowiadające parametrom młotowiertarki podanym na tabliczce znamionowej.
2. Upewnić się że włącznik (9) młotowiertarki jest w pozycji wyłączenia.
3. Należy zawsze stosować rękojeść pomocniczą (12). Pewne trzymanie narzędzia oburącz ograniczy ryzyko wypadku przy pracy. Rękojeść pomocnicza mocuje się przekładając obejmę rękojeści przez uchwyt narzędziowy i blokuje przez dokręcenie rączką w kierunku zgodnym z ruchem wskazówek zegara.
Aby móc zająć stabilną i niemięącą pozycję pracy, można dowolnie wychylić rękojeść pomocniczą. Po przekroczeniu rączki w kierunku przeciwnym do kierunku ruchu wskazówek zegara, należy wychylić rękojeść pomocniczą na żądaną pozycję i ponownie dokręcić rączkę celem ostatecznego jej zamocowania (rys. B).
4. W przypadku pracy z przedłużaczem należy upewnić się że parametry przedłużacza, przekroje przewodów, odpowiadają parametrom młotowiertarki. Zaleca się stosowanie jak najkrótszych przedłużaczy. Przedłużacz powinien być całkowicie rozwinęty.

W TRAKCIE PRACY:

■ Dobór wiertła

Do wiercenia udarowego w betonie, cegle, kamieniu i obróbki precyzyjnie potrzebne są narzędzia SDS-plus, które wkłada się do uchwytu narzędziowego SDS-plus (1).



W celu wiercenia w stali lub drewnie używa się narzędzi bez SDS-plus (np. wiertła z trzpieniem cylindrycznym). Dla tych narzędzi potrzebne są uchwyty wiertarskie szybkozaciśkowe lub z wieńcem zębatym.

Wskazówka: Nie należy używać narzędzi bez SDS-plus do wiercenia udarowego lub obróbki precyzyjnie! Narzędzia bez SDS-plus i ich uchwyty wiertarski zostaną przy wierceniu udarowym lub obróbce precyzyjnie uszkodzone.

■ Montaż uchwytu wiertarskiego z wieńcem zębatym (rys. C)

- Wkręcić trzpień mocujący SDS-plus (15) do uchwytu wiertarskiego z wieńcem zębatym (14).
- Zabezpieczyć uchwyt wiertarski z wieńcem zębatym (14) za pomocą śruby zabezpieczającej (13).

UWAGA: Należy pamiętać, że śruba zabezpieczająca ma gwint lewo-skrętny.

- Oczyszczyć wtykany koniec trzpienia mocującego i lekko go nasmarować

smarem litowym.

- Przesunąć tuleję zaryglowania (3) maksymalnie do tyłu i przytrzymać w tej pozycji.
- Obracając uchwyt wiertarski wsunąć trzpień mocujący do uchwytu narzędziowego SDS-plus (1).
- Zwolnić tuleję zaryglowania.
- Sprawdzić zaryglowanie przez pociągnięcie za uchwyt wiertarski z wieńcem zębatym.

■ Demontaż uchwytu wiertarskiego z wieńcem zębatym (rys. D)

- Przesunąć tuleję zaryglowania (3) do tyłu i zdjąć uchwyt wiertarski z wieńcem zębatym (14).
- Po zdemontowaniu należy chronić wymienny uchwyt wiertarski z wieńcem zębatym (14) przed zabrudzeniem. W razie potrzeby należy lekko nasmarować uzębienie zabieraka.

■ Wymiana narzędzi

Za pomocą uchwytu narzędziowego SDS-plus można łatwo i wygodnie wymienić narzędzie robocze bez używania dodatkowych narzędzi.

Ze względów systemowych narzędzie robocze SDS-plus ma swobodę poruszania. Dlatego na biegu jałowym występuje bicie. Nie ma to żadnego wpływu na dokładność wierconego otworu, ponieważ wierto samoczynnie centruje się podczas wiercenia.

Osłona przeciwpyłowa (2) zapobiega w dalekiej mierze wnikaniu pyłu do uchwytu narzędziowego podczas pracy. Należy uważać przy wkładaniu narzędzia na to, by nie uszkodzić osłony przeciwpyłowej (2).

Uszkodzoną osłonę przeciwpyłową należy natychmiast wymienić. Poleca się zlecić przeprowadzenie wymiany w punkcie serwisu.

■ Wkładanie narzędzia roboczego SDS-plus (rys. E)

- Końcówkę montowanego narzędzia należy oczyścić i lekko nasmarować. Zaleca się stosowanie smaru litowego.
- Przesunąć tuleję zaryglowania (3) maksymalnie do tyłu i przytrzymać w tej pozycji.
- Oprzyrządowanie należy wkładać do uchwytu narzędziowego kręcąc nim aż do momentu, gdy wejdzie ono do oporu.
- Zwolnić tuleję zaryglowania.
- Skontrolować zaryglowanie przez pociągnięcie narzędzia.

■ Wymijanie narzędzia roboczego SDS-plus (rys. E)

UWAGA: Tuż po zakończeniu pracy narzędzia robocze mogą być gorące. Należy unikać bezpośredniego kontaktu z nimi i stosować odpowiednie rękawice ochronne.

- Przesunąć tuleję zaryglowania (3) do tyłu i wyjąć narzędzie.
- Narzędzia robocze po wyjęciu należy oczyścić.

■ Wkładanie narzędzi roboczych bez SDS-plus (rys. F)

- Założyć uchwyt wiertarski z wieńcem zębatym (14).
- Otworzyć uchwyt wiertarski z wieńcem zębatym obracając tuleję na tyle, aż możliwe będzie włożenie narzędzia roboczego. Włożyć narzędzie robocze.
- Włożyć klucz (16) w odpowiednie otwory uchwytu wiertarskiego z wieńcem zębatym i unieruchomić równomiernie narzędzie robocze.
- Przewinąć przełącznik trybu pracy (7) na symbol «Wiercenie» -

■ Wymijanie narzędzia roboczego bez SDS-plus (rys. F)

UWAGA: Tuż po zakończeniu pracy narzędzia robocze mogą być gorące. Należy unikać bezpośredniego kontaktu z nimi i stosować odpowiednie rękawice ochronne.

- Za pomocą klucza do uchwytu wiertarskiego (16) obracać tuleję uchwytu wiertarskiego z wieńcem zębatym (14) w kierunku zgodnym z ruchem wskazówek zegara, aż będzie możliwe wyjęcie narzędzia roboczego.
- Narzędzia robocze po wyjęciu należy oczyścić.

■ **Przełączanie trybu pracy** (rys. G)


UWAGA: Zmiany trybu pracy dokonywać tylko wtedy, gdy elektronarzędzie jest wyłączone! W przeciwnym razie elektronarzędzie może ulec uszkodzeniu.

Za pomocą przełącznika trybu pracy (7) można wybrać tryb pracy elektronarzędzia. Aby zmienić tryb pracy należy wcisnąć przycisk zwalniający blokadę (6) i przestawić przełącznik trybu pracy na żądaną pozycję, aż do słyszalnego zaskoczenia zapadki.

Wiercenie:

Przestawić przełącznik (7) na symbol - .

Wiercenie z udarem:

Przestawić przełącznik (7) na symbol - .


Dłutowanie (blokada obrotów):

Przestawić przełącznik (7) na symbol - .

W pozycji «Dłutowanie» w momencie włączenia urządzenia ilość uderzeń zostaje automatycznie zwiększona; dzięki temu podczas dłutowania narzędzie pracuje ze zwiększoną mocą.

Zmiana położenia dłuta:

Włożyć dłuto do uchwytu narzędziowego.

Przełącznik trybu pracy (7) obrócić w położenie .

Obrócić uchwyt narzędziowy ustawiając dłuto w zadanej pozycji roboczej.

Przełącznik trybu pracy (7) ustawić w położeniu «Dłutowanie». W ten sposób uchwyt narzędziowy zostaje w swoim położeniu zablokowany.

Przełącznik trybu pracy (7) w czasie dłutowania musi zawsze pozostawać w pozycji «Dłutowanie».

■ **Ustawianie głębokości wiercenia** (rys. B)

Ogranicznikiem głębokości wiercenia (4) można ustawić pożądaną wielkość zagłębienia wiertła w materiał X. Dla tego należy:

- włożyć trzpienie narzędzia roboczego SDS-plus do uchwytu (1) i osadzić go do oporu. W przeciwnym razie luz narzędzia SDS-plus może spowodować nieprawidłowe ustawienie głębokości wiercenia;
- zwolnić śrubę mocowania ogranicznika głębokości wiercenia (5) i wyciągnąć ogranicznik (4) na tyle, by odległość pomiędzy końcówką wiertła, a końcówką ogranicznika głębokości wynosiła pożądaną głębokość wiercenia X;
- zablokować ogranicznik, dokręcając śrubę mocowania.

■ **Włączanie/wyłączenie**

- W celu włączenia elektronarzędzia należy nacisnąć włącznik (9) i trzymać wciśnięty.
- W celu wyłączenia elektronarzędzia, należy włącznik (9) zwolnić.

■ **Nastawianie prędkości obrotowej/ilości uderzeń**

Przez zwiększenie lub zmniejszenie nacisku na włącznik (9) można prędkość obrotową/ilość uderzeń nastawić bezstopniowo.

Lekki nacisk na włącznik (9) powoduje małą prędkość obrotową/ ilość uderzeń.

Zwiększony nacisk podwyższa prędkość obrotową/ilość uderzeń.

■ **Sprzęgło przeciążeniowe**

W przypadku, gdy używane narzędzie zakleszczyło się lub zablokowało się, to napęd do wrzeczona młotowiertarki zostaje przerwany. Elektronarzędzie należy trzymać zawsze, ze względu na występujące przy tym siły, mocno w obydwu rękach i zając pewną pozycję pracy.

W przypadku zablokowania elektronarzędzia, należy je wyłączyć i zwolnić narzędzie robocze. Podczas włączania zablokowanej młotowiertarki powstają momenty silnego odrzutu.

■ **Wskaźnik diodowy**

Zielony diodowy wskaźnik włączania zasilania (10) zapala się, kiedy urządzenie jest podłączone do sieci. Jeżeli wskaźnik zapali się, ale urządzenie nie zostanie uruchomione, szczoteczki węglowe mogą być zużyte, albo obwód elektryczny lub silnik mogą być uszkodzone.

Jeżeli wskaźnik włączania zasilania (10) nie zapali się i urządzenie nie zostanie uruchomione, włącznik lub przewód zasilania mogą być uszkodzone.

■ **Amortyzowana rękojeść główna**

Amortyzatory w rękojeści głównej (8) absorbują wibracje, by nie przenosiły się na użytkownika. W ten sposób polepszone komfort obsługi.

WSKAZÓWKI DOTYCZĄCE PRACY:

- Aby wiercić otwory w płytkach ceramicznych należy przestawić przełącznik trybu pracy (7) w położenie «wiercenie». Po przewierceniu otworu w płytce ceramicznej należy przestawić przełącznik trybu pracy w położenie «wiercenie z udarem» i pracować dalej z udarem.
- Przy pracach w betonie, kamieniu i murze należy używać wiertła ze stopu twardego.
- Przy wierceniu otworów w suficie dla zabezpieczenia przed opadającym pyłem należy używać pierścienia gumowego do zbierania pyłu (17), który zakłada się na wiertło (patrz rys. H).
- Do wiercenia w metalu należy używać tylko ostrych wiertel do metalu.

PRZECHOWYWANIE I KONSERWACJA:

Maszynę należy przechowywać w miejscu, niedostępnym dla dzieci, utrzymywać w stanie czystości, chronić przed wilgocią i zapyleniem. Warunki przechowywania powinny wykluczać możliwość uszkodzeń mechanicznych oraz wpływ czynników atmosferycznych.

Zewnętrzne plastikowe części mogą być oczyszczone za pomocą wilgotnej tkaniny i miękkiego czyszczącego środka.

UWAGA: NIGDY nie należy wykorzystywać środków rozpuszczających.

Po wierceniu w betonie, w środowisku silnie pyłącym zaleca się przedmchanie sprężonym powietrzem otworów wentylacyjnych i uchwytu wiertarskiego. Zapobiegnie to uszkodzeniom łożysk, usunie pył blokujący dopływ powietrza chłodzącego silnik.

Obsługa techniczna zawiera również okresową wymianę smaru w mechanizmie przekładniowym. Smar należy wymieniać po każdych 40-50 godzinach pracy.

Wymianę smaru należy dokonywać wyłącznie w specjalizowanym centrum serwisowym lub przez wykwalifikowaną osobę w celu uniknięcia zagrożenia uszkodzenia urządzenia.

TRANSPORT:

Młotowiertarkę transportować i składować w kufrze transportowym,

chroniącym przed wilgocią, wnikaniem pyłu i drobnych obiektów, zwłaszcza należy zabezpieczyć otwory wentylacyjne. Drobne elementy, które dostaną się wewnątrz obudowy urządzenia mogą uszkodzić silnik.

TYPOWE USTERKI I ICH USUWANIE:

Młotowiertarka nie działa:

- sprawdzić czy przewód zasilający jest prawidłowo podłączony oraz skontrolować bezpieczniki,

Młotowiertarka «przerywa» lub iskrzy:

- sprawdzić i w razie potrzeby wymienić szczotki węglowe.

UWAGA! Wymianę szczotek węglowych może wykonać tylko uprawniony elektryk.

- jeżeli elektronarzędzie nie działa, pomimo że jest zasilane napięciem, należy je wysłać do serwisu naprawczego na adres podany w karcie gwarancyjnej.

PRODUCENT:

PROFIX Sp. z o.o.,

ul.. Marywilska 34, 03-228 Warszawa

OCHRONA ŚRODOWISKA:



UWAGA: Przedstawiony symbol oznacza zakaz umieszczenia zużytego sprzętu łącznie z innymi odpadami (z zagrożeniem karą grzywny). Składniki niebezpieczne znajdujące się w sprzęcie elektrycznym i elektronicznym wpływają negatywnie na środowisko naturalne i zdrowie ludzi.

Gospodarstwo domowe powinno przyczyniać się do odzysku i ponownego użycia (recyklingu) zużytego sprzętu. W Polsce i w Europie tworzony jest lub już istnieje system zbierania zużytego sprzętu, w ramach którego wszystkie punkty sprzedaży ww. sprzętu mają obowiązek przyjmować zużyty sprzęt. Ponadto istnieją punkty zbiórki ww. sprzętu.

PIKTOGRAMY:

Objaśnienia ikonek znajdujących się na tabliczce znamionowej i naklejkach informacyjnych.



«Przed uruchomieniem przeczytać instrukcję obsługi»



«Zawsze stosować okulary ochronne»



«Stosować środki ochrony słuchu»



«Stosować maskę przeciwpyłową»



Polityka firmy PROFIX jest polityką stałego udoskonalania swoich produktów i dlatego firma rezerwuje sobie prawo zmiany specyfikacji wyrobu bez uprzedniego zawiadomienia. Obrazki, podane w instrukcji obsługi, są przykładowe i mogą się nieznacznie różnić od rzeczywistego wyglądu zakupionego urządzenia.

Niniejsza instrukcja jest chroniona prawem autorskim. Kopiowanie/ powielanie jej bez pisemnej zgody firmy Profix Sp. z o.o. jest zabronione.



ПЕРЕД НАЧАЛОМ ЭКСПЛУАТАЦИИ НЕОБХОДИМО ОЗНАКОМИТЬСЯ С НАСТОЯЩЕЙ ИНСТРУКЦИЕЙ.

Хранить инструкцию для возможного применения в будущем.



ПРЕДУПРЕЖДЕНИЕ! Необходимо ознакомиться со всеми предупреждениями, касающимися безопасности при эксплуатации, обозначенными символами ⚠ и всеми указаниями по технике безопасности.

Несоблюдение указанных ниже предупреждений, касающихся безопасности и указаний по технике безопасности может привести к поражению электрическим током, пожару и/или серьёзным травмам тела.

Необходимо хранить все предупреждения и указания, касающиеся техники безопасности, чтобы можно было воспользоваться ними в будущем.

В указанных ниже предупреждениях слово „электроинструмент“ означает электроинструмент с питанием от сети (посредством электрического кабеля) или электроинструмент, питаемый от аккумулятора (беспроводное питание).



ПРЕДУПРЕЖДЕНИЕ! Общие предупреждения, касающиеся безопасности при эксплуатации инструмента.

Техника безопасности на рабочем месте:

- Необходимо поддерживать порядок и хорошее освещение на рабочем месте. Беспорядок и плохое освещение являются причиной несчастных случаев.
- На следует использовать электроинструмент во взрывоопасной среде, образующейся легко воспламеняющимися жидкостями, газами или пылью. Электроинструмент создаёт искры, которые могут привести к воспламенению пыли или испарений.
- Не допускать детей и наблюдателей в места, в которых применяются электроинструменты. Отвлечение внимания может привести к потере контроля над электроинструментом.



ПРЕДУПРЕЖДЕНИЕ! Общие предупреждения, касающиеся безопасности при эксплуатации инструмента.

Электробезопасность:

- Штепсельные вилки должны соответствовать сетевым розеткам. Ни в коем случае не переделывать каким-либо образом штепсельную вилку. Не применять каких-либо удлинителей электропитания в случае использования электроинструментов, имеющих провод электропитания с защитным заземляющим проводником. Отсутствие переделок штепсельных розеток и сетевых розеток снижает опасность поражения электрическим током.
- Необходимо избегать прикосновения к поверхности заземлённых или закороченных на массу элементов, таких как трубы, нагреватели, радиаторы центрального

отопления и холодильные агрегаты. В случае прикосновения заземлённого или закороченного на массу элемента увеличивается опасность поражения электрическим током.

- Не подвергать электроинструменты воздействию дождя или влажных условий. В случае попадания в электроинструмент воды увеличивается опасность поражения электрическим током.
- Не создавать опасности повреждения кабеля электропитания. Ни в коем случае не использовать кабель электропитания, чтобы переносить или тянуть электроинструмент или для извлечения штепсельной вилки из розетки. Кабель электропитания должен находиться вдали от источников тепла, масел, острых краёв и движущихся частей. Повреждённые или запутанные кабели электропитания увеличивают опасность поражения электрическим током.
- Если электроинструмент эксплуатируется на свежем воздухе, следует использовать удлинители кабеля электропитания, предназначенные для работы вне помещений. Использование удлинителя кабеля электропитания, предназначенного для работы вне помещений, снижает опасность поражения электрическим током.
- Рекомендуется подключение устройства к электрической сети, снабжённой выключателем остаточного тока (RCD) с током выключения 30 мА или менее.
- Если эксплуатация электроинструмента во влажной среде неизбежна, в качестве защиты от напряжения питания необходимо использовать защитное устройство по разностному току (RCD). Применение защитного устройства по разностному току снижает опасность поражения электрическим током.



ПРЕДУПРЕЖДЕНИЕ! Общие предупреждения, касающиеся безопасности при эксплуатации инструмента.

Индивидуальная безопасность:

- Настоящее оборудование не предназначено для эксплуатации лицами (включая детей) с физическими, сенсорными или умственными ограничениями или лицами, не имеющими опыта или не знающими оборудования, разве что это осуществляется под надзором или в соответствии с инструкцией по эксплуатации оборудования, переданной лицами, отвечающими за их безопасность.
- Необходимо быть предусмотрительным, наблюдать за работой и руководствоваться здравым смыслом во время эксплуатации электроинструмента. Не следует эксплуатировать электроинструмент в состоянии переутомления или находясь под действием наркотиков, алкоголя или лекарств. Мгновению невнимания во время эксплуатации электроинструмента может быть причиной травмы пользователя.
- Необходимо применять средства личной защиты.

Необходимо обязательно работать с защитными очками. Применение в соответствующих условиях средств личной защиты, таких как противопыльный респиратор, противоскользкая обувь, каска или средства защиты слуха снизит риск получения травмы.

- г) Необходимо избегать случайного запуска в работу. Прежде чем вставить вилку кабеля электропитания в сетевую розетку или подключить аккумулятор, а также перед тем, как поднять или перенести электроинструмент, необходимо убедиться, что включатель электроинструмента находится в положении «выключено». Перенос электроинструмента с пальцем на выключателе или подключение электроинструмента к сети питания при включенном выключателе может привести к несчастному случаю.
- д) Прежде, чем запустить электроинструмент в работу, необходимо устранить все ключи. Ключ, оставшийся во вращающейся части электроинструмента, может привести к травме пользователя.
- е) Не следует слишком сильно наклоняться. Необходимо всё время сохранять устойчивость и равновесие. Это позволяет лучше контролировать электроинструмент в неожиданных ситуациях.
- ж) Необходимо иметь соответствующую одежду. Не работать в свободной одежде или с бижутерией. Необходимо, чтобы волосы пользователя, его одежда и рукавицы находились вдали от движущихся элементов. Свободная одежда, бижутерия или длинные волосы могут быть зацеплены движущимися частями.
- з) Если оборудование приспособлено для присоединения внешнего пылеотвода (пылеулавливающего устройства) и поглотителя пыли, необходимо убедиться, что они присоединены и правильно применяются. Применение поглотителей пыли может уменьшить опасность, связанную сзапыленностью.



ПРЕДУПРЕЖДЕНИЕ! Общие предупреждения, касающиеся безопасности при эксплуатации инструмента.

Эксплуатация и уход за электроинструментом:

- а) Не допускать перегрузки электроинструмента. Применять электроинструмент с мощностью, соответствующей выполняемой работе. Надлежащий электроинструмент позволит лучше и безопаснее работать при нагрузке, на которую он рассчитан.
- б) Не следует применять электроинструмент, если его выключатель не включается и не выключается. Каждый электроинструмент, который не может включаться или выключаться выключателем, представляет опасность и должен быть передан на ремонт.
- в) Необходимо отсоединить штепсельную вилку от источника питания электроинструмента и/или отсоединить аккумулятор прежде чем выполнить какую-либо установку, замену части или складирование устройства. Такие предупредительные меры безопасности

снижают риск случайного запуска электроинструмента в работу.

- г) Неиспользуемый электроинструмент следует хранить в недоступном для детей месте и не разрешать тем, кто незнаком с электроинструментом или настоящей инструкцией, пользоваться электроинструментом. Электроинструмент опасен в руках необученных пользователей.
- д) Следует выполнять технический уход за электроинструментом. Необходимо проверить соосность или отсутствие заедания (защемления) подвижных элементов, трещин частей, а также все другие факторы, могущие влиять на работу электроинструмента. В случае обнаружения неисправности, необходимо выполнить ремонт электроинструмента. Причиной многих несчастных случаев является непрофессиональный способ выполнения технического ухода.
- е) Режущий инструмент должен быть острым и чистым. Соответствующее содержание и уход за острыми кромокками режущего инструмента снижает вероятность защемления и упрощает обслуживание.
- ж) Электроинструмент, оснащение, рабочие инструменты и т. п. необходимо применять в соответствии с настоящей инструкцией, учитывая рабочие условия и вид выполняемой работы. Применение электроинструмента не по назначению может привести к опасным ситуациям.
- з) При низкой температуре или после длительного перерыва в эксплуатации рекомендуется включение электроинструмента без нагрузки на несколько минут с целью распределения смазки в механизме привода.
- и) Для чистки электроинструмента применять мягкую, влажную (не мокрую) тряпку и мыло. Не применять бензина, растворителей и других средств, могущих повредить устройство.

- й) Электроинструмент следует хранить/транспортировать, убедившись, что все его подвижные элементы заблокированы и защищены от разблокировки при помощи оригинальных элементов, предназначенных для этой цели.
- к) Электроинструмент должен храниться в сухом месте и быть защищенным от пыли и проникания влаги.
- л) Транспортировку электроинструмента необходимо выполнять в оригинальной упаковке, защищающей от механических повреждений.



ПРЕДУПРЕЖДЕНИЕ! Общие предупреждения, касающиеся безопасности при эксплуатации инструмента.

Ремонт:

- а) Гарантийный и послегарантийный ремонт своих электроинструментов выполняет сервисная служба компании PROFIX, что гарантирует высочайшее качество ремонта и использование оригинальных запчастей.



ПРЕДУПРЕЖДЕНИЕ! ПЕРФОРАТОР,
предупреждения, касающиеся техники
безопасности –

Индивидуальная безопасность:

- a) **Использовать средства защиты слуха во время работы с перфоратором.** Длительное воздействие шума может привести к потере слуха.
- б) **При выполнении работ, при которых электроинструмент может попасть на скрытую электропроводку или на собственный кабель электропитания, электроинструмент следует держать за изолированную поверхность держателей (рукояток).** Прикосновение к проводу сети питания (кабелю электропитания), находящемуся под напряжением, может привести к попаданию напряжения на металлические части электроинструмента, а это несёт опасность поражения электрическим током.
- в) **Следует применять соответствующие приборы для обнаружения скрытых проводов сети питания и попросить о помощи городские коммунальные службы.** Контакт с проводами, находящимися под напряжением, может привести к пожару или поражению электрическим током. Повреждение газопроводной трубы может привести к взрыву. Проникновение в водопроводную трубу ведёт к материальным потерям и может привести к поражению электрическим током.
- г) **Не обрабатывайте материалы с содержанием асбеста.** Асбест является канцерогеном и вызывает раковые заболевания.
- д) **Необходимо поддерживать чистоту в месте выполнения работы.** Смеси материалов представляют особую опасность. Пыль лёгких металлов может воспламениться или взорваться.
- е) **Необходимо закрепить обрабатываемый предмет.** Проверить, все ли крепления зажимы и убедиться, что нет слишком большого зазора. Закрепление обрабатываемого предмета в креплении устройстве или тисках более безопасно, чем удержание его рукой.
- ж) **Во время работы следует прочно держать электроинструмент двумя руками за основную и вспомогательную рукоятку и сохранять устойчивое положение.** Перемещение электроинструмента безопасно, если выполняется обеими руками.
- з) **Следует немедленно отключить электроинструмент, если заблокируется используемый рабочий инструмент.** Необходимо быть готовым к большим вибрациям, в результате которых может произойти отброс. Блокировка применяемого рабочего инструмента может произойти, если электроинструмент перегружен или если будет иметь место его искривление в обрабатываемом предмете.
- и) **Следует отключать машину от сети электропитания во время перерыва в работе, во время смены насадок, ремонта, чистки или регулировки. Не откладывать электроинструмент, пока он не остановится.** Может произойти блокировка рабочего инструмента, в результате чего будет потерян контроль над электроинструментом.
- к) **Запрещено эксплуатировать электроинструменты с**

повреждённым кабелем электропитания. Не прикасаться к повреждённому кабелю электропитания. В случае повреждения кабеля электропитания во время работы, необходимо извлечь штепсельную вилку из розетки. Повреждённые провода увеличивают опасность поражения электрическим током.

- л) **Повреждённый кабель электропитания электроинструмента должен быть заменён кабелем электропитания, имеющимся в сервисных пунктах.**

ПРЕДНАЗНАЧЕНИЕ И КОНСТРУКЦИЯ ПЕРФОРАТОРА:

Перфоратор предназначен для высверливания отверстий в древесине, металле, пластмассе, керамике, для ударного сверления в кирпиче, камне, бетоне, а также для лёгких долбежных работ.

Категорически запрещено применять устройство для каких-либо других целей.

Перфоратор приводится в движение установленным вертикально однофазным шёточным двигателем.

Устройство не пригодно для длительных работ в сложных условиях. Запрещено применять его для работ, требующих применения профессионального оборудования.

Каждое применение электроинструмента, несоответствующее указанному выше назначению, запрещено и ведёт к потере гарантии и отсутствию ответственности производителя за возникший в результате этого ущерб.

Какие-либо модификации электроинструмента, осуществлённые пользователем, освобождают производителя от ответственности за повреждения и ущерб, причинённый пользователю и окружающей среде.

Правильная эксплуатация электроинструмента относится также к техобслуживанию, хранению, транспортировке и ремонту.

Ремонт электроинструмента может выполняться только в определённых производителем сервисных пунктах. Устройства с питанием от сети должны ремонтироваться исключительно лицами, имеющими соответствующий допуск.

Даже применяя устройство по назначению, нельзя полностью исключить определённых факторов остаточного риска. С учётом конструкции устройства может иметь место следующая опасность:

- Прикосновение в процессе работы вращающегося рабочего инструмента рукой или одеждой оператора, кабелем электропитания.
- Возможность ожога при смене рабочего инструмента. (В процессе работы рабочий инструмент сильно разогревается и чтобы избежать ожогов при его смене, необходимо применять защитные рукавицы).
- Отбрасывание обрабатываемого предмета или его части.
- Искривление или поломка рабочего инструмента.

■ Состав комплекта

- Перфоратор - 1 шт.
- Вспомогательная (дополнительная) рукоятка - 1 шт.
- Ограничитель глубины сверления - 1 шт.
- Зубило плоское - 1 шт.
- Пика-зубило - 1 шт.
- Свёрла SDS-plus - 3 шт. (8, 10, 12 мм)
- Резиновое кольцо для сборки пыли - 1 шт.

- Кейс для транспортировки - 1 шт.
- Инструкция по обслуживанию - 1 шт.
- Гарантийная карта - 1 шт.

■ Элементы устройства

Нумерация элементов устройства соответствует изображенным, имеющимся на страницах 2 - 3 настоящей инструкции:

- Рис. А**
1. Держатель инструмента SDS-plus
 2. Противопыльный защитный кожух
 3. Обойма держателя
 4. Ограничитель глубины сверления
 5. Винт фиксации ограничителя глубины сверления
 6. Кнопка разблокировки переключателя режима работы
 7. Переключатель режима работы
 8. Основная рукоятка с противоскользящей накладкой
 9. Включатель
 10. Светодиодный индикатор питания
 11. Кабель электропитания
 12. Вспомогательная рукоятка

- Рис. С**
13. Предохраняющий винт для сверлильного патрона с зубчатым венцом*
 14. Сверлильный патрон с зубчатым венцом*
 15. Адаптер (переходник) SDS-plus для сверлильного патрона*

- Рис. F** 16. Ключ для сверлильного патрона с зубчатым венцом*

- Рис. H** 17. Резиновое кольцо для сборки пыли

* Описание и представленное оборудование не относится полностью к стандартному оснащению электроинструмента.

ТЕХНИЧЕСКИЕ ПАРАМЕТРЫ:

Напряжение питания	230 В-240 В	
Частота тока питания	50 Гц	
Потребляемая мощность	1250 Вт	
Частота вращения без нагрузки	0-850 об/мин	
Количество ударов / сила удара	0-4500 мин ⁻¹ /5 Дж	
Сверлильный патрон	SDS-plus	
Максимальный диаметр сверления	сталь- 13 мм	
	бетон- 30 мм	
	древесина- 40 мм	
Вес (без принадлежностей)	5,0 кг	
Класс оборудования	□/II	
Степень защиты	IP20	
Уровень звукового давления (LpA) (±3дБ(A))	90,9 дБ(A)	
Уровень звуковой мощности (LwA) (±3дБ(A))	101,9 дБ(A)	
Уровень вибрации согласно стандарту:	EN 60745-2-6	
- сверление перфоратором в бетоне a _{h,iso}	главная рукоятка	13,59 м/с ²
	вспом. рукоятка	11,265 м/с ²
- долбление a _{h,свек}	главная рукоятка	14,30 м/с ²
	вспом. рукоятка	14,501 м/с ²
- погрешность измерения	1,5 м/с ²	

Указанный уровень вибрации соответствует основным применениям электроинструмента. Если электроинструмент будет использован для других применений или с другими рабочими инструментами, а также, если не будет выполнен соответствующий технический уход, уровень вибрации может отличаться от указанного. Указанные выше причины могут привести к усилению воздействия вибраций в течение всего времени работы.

Необходимо применять дополнительные меры безопасности с целью защиты оператора от воздействия вибрации, а именно: технический уход за электроинструментом и рабочими инструментами, обеспечение соответствующей температуры рук, определение очередности рабочих операций.

ПРЕЖДЕ ЧЕМ ПРИСТУПИТЬ К РАБОТЕ:

1. Убедиться, что параметры источника питания соответствуют параметрам перфоратора, указанным на его щитке.
2. Убедиться, что включатель/выключатель (9) перфоратора находится в положении «выключено».
3. Необходимо обязательно применять вспомогательную рукоятку (12). Уверенное удерживание инструмента двумя руками ограничит возможность несчастного случая во время работы. Чтобы закрепить вспомогательную рукоятку, следует продеть обойму рукоятки через сверлильный патрон, а затем зафиксировать её, завинчивая ручку по часовой стрелке.

Для того чтобы работать в стабильном, не напрягающем положении, можно произвольно изменять положение вспомогательной рукоятки. После вращения ручки против часовой стрелки, следует повернуть вспомогательную рукоятку в требуемое положение и повторно завинтить ручку, чтобы окончательно закрепить рукоятку (рис. В).

4. При работе с удлинителем шнура питания необходимо убедиться, что параметры удлинителя, сечения его проводов соответствуют параметрам перфоратора. Рекомендуется применять максимально короткие удлинители. Удлинитель должен быть полностью размотан.

ВО ВРЕМЯ РАБОТЫ:

■ Выбор сверла

Для ударного сверления в бетоне, кирпиче, камне и для обработки зубилом требуются рабочие инструменты с хвостовиком SDS-plus, вставляемые в держатель системы SDS-plus (1).



Для сверления в стали или в древесине используются рабочие инструменты без хвостовика SDS-plus (напр. сверла с цилиндрическим хвостовиком). Для этих инструментов необходимы сверлильные патроны быстросъемного типа или с зубчатым венцом.

УКАЗАНИЕ: Не следует применять рабочие инструменты без хвостовика SDS-plus для ударного сверления или обработки зубилом! Рабочие инструменты без хвостовика SDS-plus и их сверлильный патрон в случае выполнения ударного сверления или обработки зубилом будут повреждены.

- **Установка сверлильного патрона с зубчатым венцом (рис. С)**
- Ввинтить адаптер SDS-plus (15) в сверлильный патрон с зубчатым венцом (14).

- При помощи предохранительного винта (13) предохранить сверильный патрон с зубчатым венцом (14) от отсоединения.

ВНИМАНИЕ: Необходимо помнить, что предохранительный винт имеет левую резьбу.

- Очистить вставляемый конец адаптера и слегка его смазать литиевой смазкой.
- Передвинуть обойму держателя (3) назад и придержать её в этом положении.
- Вращая сверильный патрон с зубчатым венцом, вдвигать хвостовик адаптера в держатель SDS-plus (1), пока он не войдёт до упора.
- Отпустить фиксирующую обойму.
- Проверить фиксацию, потянув за сверильный патрон с зубчатым венцом.

■ Снятие сверильного патрона с зубчатым венцом (рис. D)

- Оттянуть обойму держателя (3) назад и снять сверильный патрон с зубчатым венцом (14).
- После снятия сменного сверильного патрона с зубчатым венцом (14) следует защищать его от загрязнения. В случае необходимости слегка смазать зубья муфты смазкой.

■ Смена рабочих инструментов

При помощи держателя рабочего инструмента SDS-plus можно простым и удобным способом осуществлять смену рабочего инструмента без использования дополнительных инструментов.

Система SDS-plus отличается тем, что рабочий инструмент с хвостовиком SDS-plus имеет определённый люфт. Поэтому на холостом ходу возникают биения. Это никак не влияет на точность высверливаемого отверстия, поскольку сверло автоматически центрируется в процессе сверления.

Противопыльный защитный кожух (2) в значительной мере предотвращает проникновение пыли в держатель (патрон) рабочего инструмента во время работы. Вставляя рабочий инструмент, необходимо следить, чтобы не повредить противопыльный защитный кожух (2).

Повреждённый противопыльный защитный кожух необходимо немедленно заменить. Замену рекомендуется выполнять в пункте сервисного обслуживания.

■ Установка рабочего инструмента SDS-plus (рис. E)

- Конец устанавливаемого инструмента следует очистить и слегка смазать.
- Передвинуть обойму держателя (3) назад и придержать её в этом положении.
- Рабочий инструмент вставить в держатель, поворачивая его, пока он не войдёт до упора.
- Отпустить фиксирующую обойму.
- Фиксацию необходимо проверить, потянув рабочий инструмент.

■ Снятие рабочего инструмента SDS-plus (рис. E)



ВНИМАНИЕ: Сразу же после окончания работы рабочий инструмент может быть горячим. Избегать непосредственного контакта с ним и использовать соответствующие защитные рукавицы.

- Сдвиньте обойму держателя (3) назад и выньте рабочий инструмент из патрона.

- Рабочий инструмент после извлечения следует очистить.

■ Установка рабочего инструмента без хвостовика SDS-plus (рис. E)

- Установить сверильный патрон с зубчатым венцом (14).
- Открыть сверильный патрон с зубчатым венцом, вращая муфту, пока не появится возможность вставить рабочий инструмент. Вставить рабочий инструмент.
- Вставить ключ (16) в соответствующие отверстия сверильного патрона с зубчатым венцом и равномерно зафиксировать рабочий инструмент.
- Установить переключатель (7) на символ «Сверление» -

■ Снятие рабочего инструмента без хвостовика SDS-plus (рис. E)



ВНИМАНИЕ: Сразу же после окончания работы рабочий инструмент может быть горячим. Избегать непосредственного контакта с ним и использовать соответствующие защитные рукавицы.

- Используя ключ сверильного патрона (16) вращая муфту сверильного патрона с зубчатым венцом (14) по часовой стрелке, пока не станет возможным извлечение рабочего инструмента.
- Рабочий инструмент после извлечения следует очистить.

■ Переключение режима работы (рис. G)



ВНИМАНИЕ: Изменение режима работы осуществлять только при выключенном электроинструменте! В противоположном случае может произойти повреждение электроинструмента.

Используя переключатель режима работы (7), можно выбрать режим работы электроинструмента.

Для смены режима работы необходимо нажать кнопку снятия блокировки (6) и установить переключатель режима работы в необходимое положение, до слышимого звука срабатывания защёлки.

Сверление:

Установить переключатель (7) на символ -

Ударное сверление:

Установить переключатель (7) на символ -

Долбление (блокировка вращения):

Установить переключатель (7) на символ -

В положении «Долбление» в момент включения устройства количество ударов автоматически увеличится; благодаря этому во время долбления электроинструмент работает с повышенной мощностью.

Изменение положения зубила:

Вставить зубило в держатель рабочего инструмента.

Переключатель режима работы (7) повернуть в положение -

Повернуть держатель рабочего инструмента, устанавливая зубило в рабочее положение.

Переключатель режима работы (7) установить в положение «Долбление». При этом держатель рабочего инструмента будет зафиксирован в одном положении.

Переключатель режима работы (7) во время долбления должен обязательно находиться в положении «Долбление».

■ Установка глубины сверления (рис. B)

Ограничителем глубины сверления (4) можно установить

требуемую величину углубления сверла в материал **X**. Для этого необходимо:

- вставить хвостовик SDS-plus рабочего инструмента в держатель (1) и вдвинуть его до упора, иначе подвижность рабочего инструмента с хвостовиком SDS-plus может привести к неправильной установке глубины сверления;
- ослабить винт крепления ограничителя глубины сверления (5) и извлечь ограничитель настолько, чтобы расстояние между концом сверла и концом ограничителя глубины соответствовало требуемой глубине сверления **X**;
- заблокировать ограничитель, закрутив винт крепления ограничителя.

■ Включение/выключение

- Для включения электроинструмента необходимо нажать включатель (9) и удерживать его в нажатом состоянии.
- Для выключения электроинструмента, следует отпустить включатель (9).

■ Регулировка частоты вращения/количества ударов

Увеличивая или уменьшая нажим на включатель (9) можно плавно регулировать частоту вращения / количество ударов.

При слабом нажиме на включатель (9) частота вращения / количество ударов будут малыми.

При более сильном нажиме частота вращения / количество ударов увеличиваются.

■ Перегрузочное сцепление

В случае заедания (зачемления) или блокировки инструмента, привод перфоратора отключается. В связи с возникающими при этом силами, электроинструмент необходимо обязательно держать обеими руками и занять определённое рабочее положение.

В случае блокировки электроинструмента, необходимо выключить его и освободить рабочий инструмент. Во время включения заблокированного перфоратора возникает момент сильного отброса.

■ Светодиодный индикатор

Зелёный светодиодный индикатор питания (10) светится, если электроинструмент подключён к сети питания. Если индикатор питания светится, а электроинструмент не запускается в работу, причиной этого может быть износ угольных щёток или повреждение электрической цепи или электродвигателя.

Если не светится индикатор питания (10) и электроинструмент не запускается в работу, причиной этого может быть повреждение включателя или кабеля электропитания.

■ Виброгасящая основная ручка

Амортизаторы в основной рукоятке (8) поглощают вибрации, передаваемые пользователю. Это улучшает комфорт пользователя во время работы.

УКАЗАНИЯ ПО РАБОТЕ УСТРОЙСТВА:

- Для сверления отверстий в керамической плитке необходимо установить переключатель режима работы (7) в положение «сверление». После того, как будет высверлено отверстие в керамической плитке, необходимо переставить переключатель режима работы в положение «ударное сверление» и выполнять далее сверление ударом.

- При сверлении в бетоне, камне и кирпичной стене необходимо применять сверла из твёрдого сплава.
- При сверлении отверстий в потолке, для предохранения от падающей пыли необходимо применять резиновое кольцо для сбора пыли (17), которое надевается на сверло (см. рис. Н).
- Для сверления металла необходимо применять только острые сверла для металла.

ХРАНЕНИЕ И ТЕХНИЧЕСКИЙ УХОД:

Машину следует хранить в месте, недоступном для детей, содержать в чистоте, защищать от влаги и попадания пыли. Условия хранения должны исключать возможность механических повреждений и влияния атмосферных условий.

Внешние пластмассовые элементы могут быть очищены при помощи влажной ткани и деликатного чистящего средства.

ВНИМАНИЕ: ЗАПРЕЩЕНО применять для чистки растворители.

После сверления в бетоне, в условиях сильной запыленности рекомендуется выполнить продувку сжатым воздухом вентиляционных отверстий и патрона для рабочего инструмента. Это предотвратит повреждение подшипников и устранил пыль, блокирующую приток воздуха, охлаждающего электродвигатель.

Техническое обслуживание включает также периодическую смену смазки механизма передачи. Смену смазки необходимо производить через каждые 40-50 часов работы.

Чтобы избежать возможного повреждения устройства, смену смазки необходимо выполнять только в специализированном центре сервисного обслуживания, либо с помощью квалифицированного специалиста.

ТРАНСПОРТИРОВКА:

Перфоратор следует транспортировать и складировать в транспортном кейсе, защищающем от влаги, проникновения пыли и мелких объектов. Особенно необходимо защитить вентиляционные отверстия. Мелкие элементы, попавшие вовнутрь корпуса, могут повредить двигатель.

ТИПИЧНЫЕ НЕИСПРАВНОСТИ И ИХ УСТРАНЕНИЕ:

Перфоратор не работает:

- проверить правильно ли присоединён кабель электропитания и проверить предохранители;

Имеются перемены в работе перфоратора или чрезмерное искрение:

- проверить и заменить угольные щётки.

ВНИМАНИЕ! Замену угольных щёток может выполнить только электрик соответствующим допуском.

- если щётки изношены, а электроинструмент не работает при наличии напряжения питания, необходимо передать его в ремонтный сервисный пункт по адресу, указанному на гарантийной карте.

ПРОИЗВОДИТЕЛЬ:

ООО «ПРОФИКС», ул. Марыльска 34, 03-228 Варшава, ПОЛЬША

ЗАЩИТА ОКРУЖАЮЩЕЙ СРЕДЫ:



ВНИМАНИЕ: Представленный символ означает запрещение размещения использованного оборудования вместе с другими отходами (за это грозит наказание в виде штрафа). Опасные компоненты,

имеющиеся в электрическом и электронном оборудовании отрицательно влияют на окружающую среду и здоровье человека.

Домашнее хозяйство должно способствовать восстановлению и повторному использованию (рециклированию) использованного оборудования. В Польше и в Европе создаётся или уже существует система сбора использованного оборудования, в рамках которой все пункты продажи в/у оборудования обязаны принимать использованное оборудование. Кроме того, имеются пункты приёма в/у оборудования.

ПИКТОГРАММЫ:

Описание знаков, имеющих на щитке и информационных

наклейках на электроинструменте.



— «Перед подключением и началом работы необходимо прочитать инструкцию по эксплуатации»



— «Использовать средства защиты глаз»



— «Использовать средства защиты органов слуха»



— «Использовать средства защиты верхних дыхательных путей»




Политика компании PROFIX - это политика постоянного совершенствования своих изделий, и поэтому компания сохраняет за собой право изменения спецификации изделия без предварительного уведомления. Изображения, имеющиеся в инструкции, являются примерными и могут незначительно отличаться от фактического вида приобретённого электроинструмента.

Настоящая инструкция по эксплуатации защищена авторскими правами. Запрещено её копирование и размножение без согласия ООО «ПРОФИКС».



ÎNAINTE DE UTILIZARE, CITIȚI ACESTE INSTRUCȚIUNI.

Păstrează instrucțiunile pentru a folosi viitoare.

ATENȚIE! Citește toate avertismentele referitoare la protecția muncii marcate cu simboluri  și toate indicațiile referitoare la utilizarea în siguranță.

Nerespectarea avertismentelor de mai jos, poate duce la accidente și la electrocutare, incendiu și/sau la vătămări corporale.

Păstrează toate avertismentele și indicațiile referitoare la protecția muncii, pentru a le folosi în viitor.

În avertismentele de mai jos, termenul "unealtă electrică" înseamnă unealtă care este alimentată de la rețea (cu cablu de alimentare) sau unealtă electrică alimentată din baterie (fără cablu).



ATENȚIE! Reguli generale de protecție a muncii.

Și siguranța la locul de muncă:

- La locul de muncă păstrează curățenie și bună iluminare. Zonele și bancurile de lucru aglomerate cheamă accidente.
- Nu utilizezi unealta electrică în atmosferi explozive, formate din lichide inflamabile, gaze sau lichide. Unelata electrică produce scântei, care pot aprinde praful sau aburii.
- Țineți copiii departe de lucrurile în care unealta electrică este folosită. Distragerea atenției poate duce la pierderea atenției asupra uneltei electrice.



ATENȚIE! Reguli generale cu privire la utilizarea în siguranță a uneltei.

Și siguranța electrică:

- Ștecherul uneltei electrice trebuie să fie conforme cu priza. Este interzisă modificarea ștecherului. Este interzisă utilizarea prelungitoarelor în cazul uneltelor electrice cu cablu de legare la pământ de protecție. Nemodificarea ștecherelor și a prizelor micșorează riscul de electrocutare.
- Evitați să atingeți suprafața de împământare sau conectările la masă, cum ar fi conducte, radiatoare, radiatoare de încălzire centrală și frigidere. În cazul atingerii părților împământate, crește riscul de electrocutare.
- Nu expuneți sculele electrice în condiții de ploaie sau mediu umed. În caz de infiltrație cu apă, crește riscul de electrocutare.
- Nu abuzați de cablurile de conectare. Nu folosiți cablul de alimentare la mutarea, tragerea uneltei sau tragerea ștecherului din priză. Păstrați cablul de alimentare departe de surse de căldură, ulei, muchii ascuțite sau părți în mișcare. Cablurile deteriorate sau încurcate cresc riscul de electrocutare.
- În cazul în care unealta electrică este folosită în aer liber, conectarea trebuie efectuată cu ajutorul prelungitoarelor destinate funcționării în aer liber. Folosirea prelungitorului destinat funcționării în aer liber, micșorează riscul de electrocutare.
- Vă recomandăm să racordați aparatul la o rețea electrică dotată cu un comutator cu curent diferențial (RCD) cu amperaj de acționare de 30mA sau mai mic.
- În cazul în care unealta electrică este folosită în mediu umed, este inevitabilă, utilizarea unui dispozitiv de protecție împotriva tensiunii de alimentare, cum ar fi aplicarea unui

dispozitiv de curent rezidual (RCD). Folosirea RCD micșorează riscul de electrocutare.



ATENȚIE! Avertismente generale cu privire la siguranța folosirii uneltei.

Și siguranță personală:

- Acest echipament nu este destinat utilizării de către persoane (inclusiv copii) cu abilități fizice reduse, senzoriale sau mentale, sau de persoane care nu au experiență sau nu cunosc echipamentul, cu excepția cazului în care are loc sub supraveghere sau în conformitate cu instrucția de folosire a echipamentului, de către o persoană responsabilă pentru siguranța lor.
- Trebuie să fiți atent, să aveți grijă ce faceți și să păstrați bun simț în timpul folosirii uneltei electrice. Nu folosiți unealta electrică, când sunteți obosiți sau sub influența drogurilor, alcoolului sau a medicamentelor. Un moment de neatenție în timpul lucrului cu unelata electrică poate cauza vătămări personale grave.
- Folosiți echipament de protecție. Purtați întotdeauna ochelari de protecție. Folosind echipamentul de protecție cum ar fi masca de praf, pantofi cu anti-alunecare, căști sau protecție auditivă, micșorați riscul de vătămare.
- Evitați pornirea accidentală. Înainte de conectarea la sursa de alimentare și/sau înainte de conectarea bateriei și înainte de ridicarea sau mutarea uneltei asigurativă că comutatorul uneltei electrice este în poziția oprită. Mutarea uneltei electrice cu degetul pe comutator sau conectarea uneltei electrice la rețeaua de alimentare în poziția pornită poate provoca un accident.
- Înainte de pornirea uneltei electrice îndepărtați toate uneltele din apropiere. Lăsarea de unelte pe părțile de mișcare ale uneltei electrice poate duce la vătămări corporale.
- Nu vă aplecați prea mult. Trebuie să stați sigur și să mențineți echilibrul. Acest lucru va permite un control mai bun asupra uneltei electrice în situații neașteptate.
- Îmbrăcați-vă corespunzător. Nu purtați haine largi sau bijuterii. Țineți părul strâns, hainele și mânușile departe de părțile în mișcare. Hainele largi, bijuteria sau părul lung se pot agăța de părțile în mișcare.
- Dacă echipamentul este potrivit pentru conectarea extractorului de praf extern și a colectorului de praf, asigurați-vă că acestea sunt conectate și folosite corect. Folosirea colectorului de praf poate reduce riscul de pericole legate de prăfuit.



ATENȚIE! Avertismente generale cu privire la folosirea în siguranță a uneltei.

Utilizarea și îngrijirea uneltei electrice:

- Nu supraîncărcați unealta electrică. Utilizați o unealtă electrică în funcție de puterea necesară muncii efectuate. Unealta electrică corectă va permite o funcționare mai bună și este sigură în cazul însărcinării, pentru care a fost proiectată.
- Este interzisă utilizarea uneltei electrice dacă comutatorul nu pornește și nu oprește este. Fiecare unealtă electrică care nu pornește sau nu se oprește este periculoasă și trebuie reparată.
- Deconectați ștecherul de la sursa de alimentare a uneltei

electrice și/sau deconectați bateria înainte de orice setare, schimbare de părți sau depozitare. Aceste mijloace de protecție reduc riscul unei porniri accidentale a unei electrice.

- d) **Unealta electrică nefolosită trebuie depozitată departe de copii și nu trebuie împrumutată persoanelor care nu cunosc unealta electrică sau care nu au citit această instrucție de folosire a unei electrice.** *Unelata electrică este periculoasă când este folosită de o persoană fără experiență.*
- e) **Unelata electrică trebuie bine întreținută. Trebuie controlată alinierea sau bruieria pieselor în mișcare, ruperea pieselor și alți factori care pot avea influență la funcționarea unei electrice.** *Dacă găsim o deteriorare, unelata electrică înaintea folosirii trebuie reparată. Cauza multor accidente este întreținerea necorespunzătoare a unei electrice.*
- f) **Unelele de tăiere trebuie să fie ascuțite și curate.** *Întreținerea părților ascuțite ale uneltelor de tăiere reduce riscul de blocare în material și ușurează folosirea.*
- g) **Unealta electrică, echipamentul, unelele de lucru, etc. trebuie utilizate în conformitate cu această instrucție, ținând cont de tipul și condițiile de lucru.** *Utilizarea unei electrice în alt mod decât este destinația, poate duce la situații periculoase.*
- h) **La temperaturi scăzute, sau după o perioadă îndelungată de nefolosire, este recomandată pornirea unei electrice fără sarcină pentru câteva minute pentru a distribui corect unsoarea în mecanismul de transmisie.**
- i) **Pentru curățirea unei electrice folosiți o cârpă moale, umedă (nu udă) și săpun. Nu folosiți benzină, diluanți sau alte mijloace care pot deteriora echipamentul.**
- j) **Unealta electrică trebuie depozitată/transportată numai după ce ne-am asigurat că toate elementele în mișcare sunt blocate și asigurate cu ajutorul elementelor originale destinate blocării.**
- k) **Unealta electrică trebuie păstrată într-un loc uscat, asigurat împotriva prafului și a umezelii.**
- l) **Transportul unei electrice trebuie să aibă loc în ambalajul original, asigurat împotriva deteriorărilor mecanice.**



ATENȚIE! Avertismente generale cu privire la folosirea în siguranță a unei.

Repararea:

- a) **Reparații în garanție și postgaranție ale uneltelor dumneavoastră electrice sunt efectuate de Service-ul PROFIX, ceea ce garantează calitatea cea mai ridicată a reparațiilor și utilizarea de piese originale de schimb.**



ATENȚIE! BORMAȘINĂ CU PERCUȚIE, avertizări referitoare la siguranță –

Siguranța personală:

- a) **Utilizați protecție auditivă în timpul utilizării bormașini cu percuție.** *Expunerea îndelungată la zgomot poate duce la pierderea auzului.*
- b) **În timpul lucrului, când este posibil, ca unelata să nimerescă cablurile electrice ascunse sau propriul cablu de alimentare, unelata electrică trebuie ținută de părțile izolate ale mânerelor.** *Contactul cu cablul rețelei de alimentare*

aflecte sub tensiune poate cauza transmiterea tensiunii pe părțile metalice ale unei electrice, fapt ce poate cauza electrocutarea.

- c) **Utilizați instrumente adecvate de localizare a cablurilor ascunse de alimentare sau cereți ajutor de la instituțiile municipale.** *Contactul cu cablurile aflate sub tensiune poate cauza apariția incendiului sau electrocutarea. Deteriorarea fetei de gaz poate cauza explozie. Perforarea conductei de apă și canalizare poate cauza pagube materiale sau electrocutare.*
- d) **Nu prelucrați materiale care conțin azbest.** *Azbestul este considerat a fi cancerigen.*
- e) **Locul de muncă trebuie păstrat curat.** *Amestecul de materiale este foarte periculos. Pulberile de metal ușor se pot aprinde sau exploda.*
- f) **Asigurați elementul prelucrat.** *Asigurați-vă că toate elementele de fixare sunt bine strânse și verificați să nu fie prea mari distanțe. Fixarea elementului prelucrat în echipamentul de fixare sau mențină este mai sigur decât ținerea elementului cu mâna.*
- g) **Unealta trebuie folosită cu mânerul suplimentar livrat cu unelata.** *Pierderea controlului poate cauza vătămări corporale ale operatorului.*
- h) **Unealta electrică în timpul utilizării trebuie ținută cu ambele mâini de mânerul principal și suplimentar, menținând o poziție stabilă.** *Utilizarea unei electrice este mai sigură dacă este ținută cu ambele mâini.*
- i) **Opriti imediat unelata electrică, dacă se blochează unelata folosită. Fiți pregătiți pentru vibrații puternice, care pot duce la recul.** *Unelata utilizată se blochează când: unelata electrică este supraîncălzită, sau când se îndoaie în element.*
- j) **Deconectați imediat unelata de la rețeaua electrică în timpul pauzei, în timpul înlocuirii capetelor, întreținerii, curățirii sau reglării.** *Înainte de așezarea unei electrice pe banc, așteptați până unelata se oprește. Unelata folosită se poate bloca și duce la pierderea controlului asupra acesteia.*
- k) **Este interzisă utilizarea unei electrice cu cablul electric deteriorat. Nu atingeți cablul deteriorat; în cazul deteriorării cablului în timpul utilizării, deconectați ștecherul din priză.** *Cablurile deteriorate măresc riscul de electrocutare.*
- l) **Dacă cablul de alimentare al unei electrice este deteriorat, acesta trebuie înlocuit cu un cablu de alimentare accesibil în rețeaua de service.**

DESTINAȚIA ȘI CONSTRUCȚIA BORMAȘINII:

Bormașina cu percuție este destinată pentru găurirea cu percuție în beton, cărămidă și piatră cât și pentru lucrări ușoare de dăltuire. Poate fi folosită de asemenea pentru găurire fără percuție în lemn, metal, ceramică și plastic.

Se interzice categoric utilizarea aparatului în orice alt scop.

Bormașina cu percuție este pusă în funcțiune de un motor monofazat cu perii amplasat vertical.

Aparatul nu este adaptat pentru lucrări de lungă durată în condiții grele. Nu trebuie să-l folosiți pentru a efectua lucrări care necesită utilizarea unei unelte profesionale.

Fiecare utilizare a unei electrice neconformă cu destinația acesteia, așa cum a fost indicată mai sus, este interzisă și atrage după sine pierderea garanției precum și privarea de răspundere a producătorului

pentru pagubele apărute în urma acestor.

Toate modificările aparatului efectuate de utilizator îl exceptă pe producător de responsabilitate pentru pagubele provocate utilizatorului și mediului.

Utilizarea corespunzătoare a unelei electrice se referă de asemenea și la întreținerea, depozitarea, transportul și reparațiile aparatului.

Unealta electrică poate fi reparată doar în punctele de service menționate de producător. Aparatele alimentate la rețea trebuie să fie reparate doar de persoane calificate în acest sens.

În ciuda utilizării în conformitate cu destinația, nu pot fi eliminați în totalitate anumiți factori de risc. Datorită construcției și proiectării, putem întâlni următoarele pericole:

- Atingerea unelei în funcțiune în timpul operării cu mâna sau îmbrăcămintea operatorului, cablul de alimentare.
- Arsurile la schimbarea unelei de lucru. (În timpul operării unealta de lucru se încălzește foarte tare, pentru a evita arsurile la schimbarea acesteia trebuie să folosiți mănuși de protecție).
- Reculul obiectului prelucrat sau al unei părți din obiectul prelucrat.
- Îndoirea/ruperea unelei de lucru.

■ Set de livrare

- Bormașină cu percuție - 1 buc.
- Mâner auxiliar - 1 buc.
- Limitator adâncime de găurire - 1 buc.
- Daltă plată - 1 buc.
- Șpiț daltă - 1 buc.
- Burghie SDS-plus - 3 buc. (8,10,12 mm)
- Inel de cauciuc pentru strângerea prafului - 1 buc.
- Perii de cărbune - 2 buc.
- Valiză transport - 1 buc.
- Instrucții de folosire - 1 buc.
- Fișa de garanție - 1 buc.

■ Elementele unelei

Numerotarea pieselor aparatului se referă la reprezentarea grafică aflată pe paginile 2-3 din instrucțiunile de utilizare:

Des. A 1. Mâner unealtă SDS-plus

2. Protecție antipraf
3. Bucșă blocare
4. Limitator adâncime de găurire
5. Șurub fixare limitator de adâncime de găurire
6. Buton de eliberare blocadă comutator mod de lucru
7. Comutator mod de lucru
8. Mâner principal cu ajutor antilgisant
9. Buton pornire/oprire
10. Indicator tensiune de rețea
11. Cablu de alimentare
12. Mâner auxiliar

Des. C 13. Șurub de protecție mandrină cu coroană dințată*

14. Mandrină cu inel dințată*
15. Bolț de fixare SDS-plus pentru mandrină*

Des. F 16. Cheie pentru mandrina cu coroană dințată*

Des. H 17. Inel de cauciuc pentru strângerea prafului

*Echipamentul descris sau prezentat nu face parte în totalitate din dotarea standard a unelei electrice.

DATE TEHNICE:

Tensiunea de alimentare	230 V-240 V	
Frecvența de alimentare	50 Hz	
Puterea	1250 W	
Viteza de rotire în gol	0-850 /min	
Număr percuții / energie percuție	0-4500 min ⁻¹ / 5 J	
Mandrina de bormașină	SDS-plus	
Diametrul maxim de foraj	oțel - 13 mm	
	beton - 30 mm	
	lemn - 40 mm	
Greutatea (fără accesorii)	5,0 kg	
Clasa echipamentului	II/II	
Protecția	IP20	
Nivelul presiunii acustice (LpA) (±3dB(A))	90,9 dB(A)	
Nivelul puterii acustice (LwA) (±3dB(A))	101,9 dB(A)	
Nivelul de vibrare conform normie:		
- Turație percuție în beton $a_{h,HD}$	mâner principal	13,59 m/s ²
	mâner suplimentar	11,265 m/s ²
- dăltuire $a_{h,Chet}$	mâner principal	14,30 m/s ²
	mâner suplimentar	14,501 m/s ²
- incertitudine		1,5 m/s ²

Nivelul menționat de vibrații este reprezentativ pentru utilizarea aparatului electric. Dacă aparatul electric va fi utilizat pentru alte scopuri sau cu alte instrumente de lucru precum și dacă nu va fi întreținut corespunzător, nivelul de vibrații ar putea diferi de cel indicat. Motivele indicate mai sus pot duce la sporierea nivelului de expunere la vibrații pe toată durata timpului de funcționare.

Trebuie să introduceți mijloace adiționale de siguranță, care au scopul de a proteja operatorul de efectele de expunere la vibrații, de ex.: întreținere aparat electric și instrumente de lucru, asigurarea temperaturii corespunzătoare a mâinilor, stabilirea ordinii operațiilor de muncă.

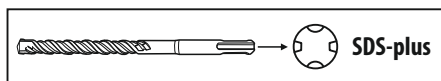
ÎNAINTE DE UTILIZARE:

1. Asigurați-vă că sursa de alimentare are parametrii corespunzători parametrilor bormașinii cu percuție indicați pe plăcuța nominală.
2. Asigurați-vă că butonul de pornire/oprire (9) bormașină cu percuție este în poziția oprită.
3. Trebuie să folosiți mereu mânerul auxiliar (12). Prinderea sigură a unelei cu ambele mâini reduce riscul de accidentare la locul de muncă. Pentru a monta mânerul auxiliar prindeți clema mânerului pe mandrină și blocați prin strângere în direcția acelor de ceas. Pentru a avea o poziție de lucru stabilă și neobosită, puteți roti mânerul auxiliar. După ce ați strâns mânerul în direcția opusă direcției acelor de ceas, trebuie să rotiți mânerul auxiliar la poziția dorită și să strângeți din nou mânerul pentru a-l fixa (des. B).
4. În cazul în care folosiți un prelungitor trebuie să vă asigurați că parametrii acestuia, secțiunile conductorilor, corespund parametrilor bormașinii cu percuție. Recomandăm folosirea prelungitoarelor cât mai scurte. Prelungitorul trebuie să fie desfășurat în întregime.

ÎN TIMPUL LUCRULUI:

■ Selectare burghiu

Pentru găurirea cu percuție în beton, cărămidă, piatră și pentru prelucrarea cu dalta aveți nevoie de unelte SDS-plus, pe care trebuie să le introduceți în mandrină SDS-plus (1).



Pentru a face găuri în oțel sau lemn trebuie să folosiți unelte fără SDS-plus (de ex. burghie cu formă cilindrică). Pentru aceste unelte aveți nevoie de mandrine cu prindere rapidă sau cu coroană dințată.

INDICAȚIE: Nu folosiți unelte fără SDS-plus pentru găurire cu percuție sau pentru prelucrarea cu dalta! Uneltele fără SDS-plus și mandrina acestora se vor deteriora la găurirea cu percuție sau la prelucrarea cu dalta.

■ Montarea mandrinei cu coroană dințată (des. C)

• Infiletați bolțul de prindere SDS-plus (15) în mandrina cu coroană dințată (14).

• Asigurați mandrina cu coroană dințată (14) cu șurubul de asigurare (13).

ATENȚIE: Trebuie să aveți în vedere că șurubul de asigurare are filet cu direcție în stânga.

• Curățați capătul bolțului de montare și ungeți-l puțin.

• Deplasați bucașa de blocare (3) spre spate și țineți.

• Rotiți mandrina și introduceți bolțul de montare în mânerul uneltei SDS-plus (1).

• Dați drumul la bucașa de blocare.

• Verificați dacă mandrina este blocată, pentru a face acest lucru trageți de mandrina cu coroana dințată.

■ Demontarea mandrinei cu coroană dințată (des. D)

• Trageți manșonul de blocare (3) în spate și scoateți mandrina cu coroană dințată (14).

• După ce ați demontat trebuie să aveți grijă ca mandrina cu coroană dințată (14) să nu se murdărească. În cazul în care este necesar trebuie să ungeți puțin dinții garniturii de colectare.

■ Schimbare unelte

Cu ajutorul mânerului uneltei SDS-plus puteți schimba ușor și comod să schimbați unealta de lucru fără a folosi alte unelte.

Datorită proprietăților sistemice unealta de lucru SDS-plus are libertate de mișcare. De aceea la mișcare în gol are loc această mișcare. Acest lucru nu are niciun impact asupra exactității orificiului de găurit, deoarece burghiul se centrează automat în timpul efectuării găurii.

Protecția antipraf (2) protejează într-o măsură mică intrarea prafului în mandrină în timpul lucrului. Trebuie să aveți grijă în timpul montajului să nu deteriorați protecția antipraf (2).

Protecția antipraf deteriorată trebuie înlocuită imediat. Vă recomandăm să comandați efectuarea acestei operații în punctul de service.

■ Introducerea uneltei de lucru SDS-plus (des. E)

• Capătul uneltei montate trebuie curățat și uns ușor. Se recomandă utilizarea unei unsori de litiu.

• Deplasați bucașa de blocare (3) spre spate și țineți.

• Echipamentul trebuie introdus în mânerul pentru unelte și infiletați până ce intră până la capăt.

- Dați drumul la bucașa de blocare.
- Blocarea trebuie controlată prin tragere de unealtă.

■ Demontarea accesoriului cu sistem de prindere SDS-plus (des. E)



ATENȚIE: Imediat după ce ați terminat de lucrat uneltele de lucru pot fi fierbinți. Trebuie să evitați contactul direct cu acestea și să folosiți mănuși de protecție corespunzătoare.

- Împingeți spre spate manșonul de blocare (3) și extrageți accesoriul.
- Uneltele de lucru trebuie curățate după ce le scoateți.

■ Introducerea de unelte de lucru fără SDS-plus (des. F)

• Așezați mandrina cu coroană dințată (14).

• Deschideți mandrina cu coroană dințată prin învârtirea manșonului atât încât să fie posibilă introducerea uneltei de lucru. Introduceți unealta de lucru.

• Introduceți cheia (16) în orificiile corespunzătoare din mandrina cu coroană dințată și imobilizați uniform unealta de lucru.

• Setări comutatorului (7) la simbolul «Găurire» -

■ Scoaterea uneltei de lucru fără SDS-plus (des. F)



ATENȚIE: Imediat după ce ați terminat de lucrat uneltele de lucru pot fi fierbinți. Trebuie să evitați contactul direct cu acestea și să folosiți mănuși de protecție corespunzătoare.

• Folosiți cheia pentru mandrină (16) învârtiți manșonul mandrinei cu coroană dințată (14) în direcția acelor de ceas până ce veți putea scoate unealta de lucru.

• Uneltele de lucru trebuie curățate după ce le scoateți.

■ Schimbarea modului de lucru



ATENȚIE: Schimbarea modului de lucru poate fi efectuată doar atunci când unealta electrică este oprită! În caz contrar puteți strica unealta electrică.

Folosiți comutatorul modului de lucru (7) pentru a selecta modul de lucru al uneltei electrice.

Pentru a schimba modul de lucru trebuie să apăsați butonul de eliberare a blocadei (6) și să mutați comutatorul modului de lucru la poziția dorită până ce auziți că blocada sare.

Găurire:

Setați comutatorul (7) la simbolul -

Găurire cu percuție:

Setați comutatorul (7) la simbolul -

Dălțuire (blocadă rotație):

Setați comutatorul (7) la simbolul -

La poziția «Dălțuire» în momentul în care porniți aparatul, numărul de lovirii crește automat; datorită acestui lucru unealta funcționează cu putere sporită.

Schimbare poziție dalta:

Introduceți dalta în mandrina pentru unelte.

Comutatorul modului de lucru (7) trebuie rotit la poziția -

Rotiți mandrina pentru unelte și așezați dalta în poziția dorită de lucru.

Comutatorul modului de lucru (7) trebuie așezat la poziția «Dălțuire».

Astfel veți bloca mânerul uneltei la poziția dorită.

În timpul dălțuirii comutatorul modului de lucru (7) trebuie să rămână mereu la poziția «Dălțuire».

■ Reglarea adâncimii de găurire (des. B)

Cu limitatorul de adâncime (4) puteți regla adâncimea dorită de găurire

a burghiului în materialul X. Pentru a face acest lucru trebuie să:

- Introduceți bolțul uneltei de lucru SDS-plus în mandrină (1) și să apăsați până ce simțiți rezistență. În caz contrar datorită mobilității uneltei SDS-plus puteți stabili adâncimea necorespunzătoare de găurire;
- desfiletați șurubul de prindere al limitatorului pentru adâncimea de găurire (4) și scoateți limitatorul astfel încât distanța dintre capătul burghiului și capătul limitatorului de găurire să reprezinte adâncimea dorită de găurire X;
- blocați limitatorul înfiletând șurubul de fixare.

■ Pornire/Oprire

- Pentru a porni unealta electrică apăsați întrerupătorul (9) și ținați-l apăsat.
- Pentru a opri unealta electrică întrerupătorul (9) trebuie eliberat.

■ Ajustarea turației / numărului de percuții

Dacă apăsați mai puternic sau mai slab pe butonul de pornire/oprire (10) puteți seta direct viteza de turație/numărul de percuții.

Dacă apăsați slab pe butonul de pornire/oprire (10) veți avea o viteză mică de rotație/număr de percuții mic.

Dacă apăsați mai tare pe buton viteza de rotație/numărul de percuții va fi mai mare.

■ Cuplajul de siguranță cu fricțiune

În cazul în care unealta folosită s-a blocat atunci turația de pe axul bormașinii cu percuție este întreruptă. Unealta electrică trebuie menținută curată și datorită forțelor ce apar trebuie să o țineți puternic cu ambele mâini și să aveți o poziție sigură de lucru.

În cazul în care unealta electrică s-a blocat trebuie să o opriți și să scoateți unealta de lucru. Atunci când porniți bormașina cu percuție blocată apare un cuplaj de recul puternic.

■ Indicator cu diodă

Indicatorul verde cu diodă pentru alimentare (10) se aprinde atunci când aparatul este cuplat la rețea. În cazul în care indicatorul se aprinde, dar aparatul nu pornește, se poate întâmpla ca perile de cărbune să fie uzate, sau ca motorul ori circuitul electric să fie deteriorate.

În cazul în care indicatorul de pornire alimentare (10) nu se aprinde și aparatul nu se pornește, butonul de pornire/oprire sau cablul de alimentare pot fi deteriorate.

■ Mânerul principal amortizat

Amortizatoarele din mânerul principal (8) absorb vibrațiile, astfel încât acestea să nu fie transferate către utilizator. În acest mod s-a îmbunătățit confortul de operare.

INDICAȚII REFERITOARE LA UTILIZARE:

- Pentru a foră găuri în plăcile ceramice, mutați comutatorul tipului de lucru (7) în poziția «foraj». După executarea găurilor, mutați comutatorul în poziția «foraj cu rotepercuție» și continuați cu rotepercuție.
- La executarea în beton, piatră și zid, trebuie folosite burghie din aliaj solid.
- Atunci când forajați în tavan pentru a vă proteja împotriva prafului trebuie să folosiți un inel de cauciuc pentru colectarea de praf (17), care trebuie aplicat pe burghiu (vezi des. H).
- La forajul în metal, utilizați doar burghie ascuțite pentru metal.

DEPOZITAREA ȘI ÎNTREȚINEREA:

Unealta trebuie depozitată într-un loc uscat, nu la îndemâna copiilor, trebuie menținută curată, protejată de umezeală și praf. Condițiile de depozitare trebuie să elimine posibilitatea de deteriorare mecanică sau efectele nocive ale diferitelor condiții atmosferice.

Piesele externe din plastic pot fi curățate doar cu o pânză umedă și cu un detergent delicat.

ATENȚIE: Nu folosiți NICIODATĂ substanțe diluante.

După ce ați forat în beton, într-un mediu cu mult praf se recomandă suflarea cu aer comprimat (cu presiunea de maxim 0,3 MPa) pe orificiile de aerisire și mânerul uneltei. Acest lucru previne deteriorarea rulmenților, împiedicându-le să blocheze accesul de aer care răcește motorul.

Operarea tehnică include de asemenea schimbarea la anumite intervale a ursorii în mecanismul de transmisie. Uneori trebuie schimbată după fiecare 40-50 ore de muncă.

Schimbarea ursorii trebuie efectuată doar într-un centru de servisie specializat sau de către o persoană calificată pentru a evita pericolul de deteriorare a aparatului.

TRANSPORT:

Bormașina cu percuție poate fi transportată și depozitată în valiza de transport, care o protejează de umiditate, intrarea prafului și a obiectelor de dimensiuni mici și de aceea trebuie să acoperiți orificiile de ventilație. Elementele mici care infiltrează carcasa pot duce la distrugerea motorului.

DEFECȚIUNI TIPICE ȘI ÎNDEPĂRTAREA ACESTORA:

Bormașina cu percuție nu funcționează:

- controlați dacă cablul de alimentare este conectat corect sau controlați siguranțele,

Bormașina cu percuție «se oprește» sau scoate scântei:

- controlați și înlocuiți perile de carbon.

ATENȚIE! Înlocuirea perilor de carbon poate fi efectuată doar de un electric autorizat.

- dacă unealta electrică nu funcționează, chiar dacă este conectată la alimentare, trebuie trimisă la un service autorizat pe adresa indicată în fișa de garanție.

PRODUCĂTOR:

PROFIX Sp. z o.o.,
str. Marywilka 34,
03-228 Varșovia, POLONIA

PROTECȚIA MEDIULUI ÎNCONJURĂTOR:



ATENȚIE: Simbolul prezentat înseamnă interdicția de a amplasa aparatul uzat împreună cu alte deșeuri (sub amenințarea unei amenzi). Componentele periculoase aflate în aparatura electrică și electronică influențează negativ mediul natural și sănătatea oamenilor.

Fiecare gospodărie casnică trebuie să contribuie la redobândirea și refolosirea (recykling) aparatului uzat. Atât în Polonia, cât și în Europa se organizează sau deja există sistemul de culegere a aparatului uzat, în cadrul căruia toate punctele de vânzare a respectivei aparaturi sunt obligate să preia aparatul uzat. În plus, există centrele de colectare a acestuia tip de aparatură.

PICTOGRAME:

Explicațiile imaginilor de pe tabelul nominal și de pe etichetele informative.



– «**Înainte de cuplare și de a începe operarea trebuie să citiți prezenta instrucțiune**»



– «**Folosiți mijloace de protecție auditivă**»



– «**Folosiți întotdeauna ochelari de protecție**»



– «**Folosiți întotdeauna măști de praf**»



Politica firmei PROFIX este aceea de perfecționare continuă a produselor sale și de aceea firma își rezervă dreptul de modificare a specificației produsului fără înștiințarea anterioară. Imaginile indicate în instrucțiunile de utilizare sunt doar exemple și se pot diferi puțin de aspectul real al dispozitivului achiziționat.


Prezenta instrucțiune este protejată prin dreptul de autor. Copierea/înmulțirea fără acordul în scris al firmei PROFIX Sp. z o.o. este interzisă.



PIRMS DARBA SĀKUMA NEPIECIEŠAMS IEPAZĪTIES AR ŠO INSTRUKCIJU.

Saglabā instrukciju varbūtējai turpmākai lietošanai.



BRĪDINĀJUMS! Nepieciešams izlasīt visus brīdinājumus apzīmētus ar simboliem , kuri attiecas uz lietošanas drošību un visus lietošanas drošības norādījumus.

Neievērojot zemāk uzrādītos drošības brīdinājumus un norādījumus attiecībā uz drošību var būt par elektriskās strāvas triecienu, ugunsgrēku un/vai nopietnu traumu iemeslu.

Ievērot visus brīdinājumus un norādījumus attiecībā uz drošību, lai tos turpmāk varētu izmantot.

Zemāk uzrādītos brīdinājumus „elektroinstruments” nozīmē elektroinstrumentu, kurš tiek barots no elektriskā tīkla (ar barošanas vadu) vai elektroinstruments barots no akumulatora (bezvadu).



BRĪDINĀJUMS! Vispārējie instrumenta drošas lietošanu norādījumi.

Darba vietas drošība:

- Darba vietā nepieciešams uzturēt kārtību un labu apgaismojumu. Nekārtība un slikts apgaismojums ir negadījumu iemesls.
- Nedrīkst lietot elektroinstrumentu sprāgstošā, viegļi uzliesmojošā, gāzu putekļainā vidē. Elektroinstrumenta darbības laikā rodas dzirksteles, no kurām var aizdegties putekļi un tvaiki.
- Vietā, kur tiek lietoti elektroinstrumenti nevar atrasties bērni un novērotāji. Novērot uzmanību var zaudēt kontroli par elektroinstrumentu.



BRĪDINĀJUMS! Vispārējie instrumenta drošas lietošanu norādījumi.

Elektriskā drošība:

- Elektroinstrumenta kontaktdakšīnām jābūt pielāgotām pie kontaktligzdām. Nekad nekādā gadījumā nedrīkst mainīt kontaktdakšīņu. Nedrīkst lietot nekādus pagarinātājus gadījumā, ja elektroinstruments ir apgādāts ar vadu ar aizsardzības iezemējuma dzislu. Ja netiek darītas kontaktdakšīņu un kontaktlīdzņu izmaiņas, tas samazina elektriskā triecienu risku.
- Nepieciešams izvairīties no iezemētām virsmām vai savienotām ar masu, kā piemēram caurules, sildītāji, centrālplaukses radiatoru un dzesinātāji. Gadījumā, ja notiek kontakts ar iezemētām vai ar masu savienotām daļām pieaug elektriskās strāvas triecienu risks.
- Nedrīkst pakļaut elektroinstrumentus uz lietus vai mitruma iedarbību. Gadījumā, ja elektroinstrumentā iekļūst ūdens pieaug elektriskās strāvas triecienu risks.
- Nedrīkst pārslogot savienojuma vadus. Nekad nedrīkst lietot savienojuma vadu elektroinstrumenta pārnēsāšanai, vilkšanai vai izvilkēt kontaktdakšīņu no kontaktlīdzņas aiz vada. Nepieciešams turēt savienojuma vadu tālu no siltuma avotiem, eļļainām, asām šķautnēm vai kustīgām daļām. Bojāti

vai sapīti savienojuma vadi palielina elektriskās strāvas triecienu risku.

- Gadījumā, ja elektroinstruments tiek lietots ārpusē, savienojuma vadus nepieciešams pagarināt ar pagarinātājiem, kuri ir piemēroti darbam ārpusē. Lietojot pagarinātājus piemērotus darbam ārpusē samazinās elektriskās strāvas triecienu risks.
- Ieteicams ierīci pievienot pie elektriskā tīkla, kurš ir aprīkots ar RCD slēdzi ar 30mA vai mazāku izslēgšanas strāvu.
- Gadījumā, ja ir nepieciešamība lietot elektroinstrumentu mitrā vidē, par sprieguma aizsardzību nepieciešams lietot strāvas starpības ierīci (RCD). Lietojot RCD samazinās elektriskās strāvas triecienu risks.



BRĪDINĀJUMS! Vispārējie instrumenta drošas lietošanu norādījumi.

Individuālā drošība:

- Šī ierīce nav piemērota lietot cilvēkiem (tai skaitā bērniem) ar ierobežotām fiziskām, jūtības un psihiskām spējām, vai cilvēkiem bez ierīces darbības pieredzes vai zināšanām, izņemot, ja tas notiek uzraudzībā vai saskaņā ar ierīces lietošanas instrukciju, ar kuru ir iepazinās par drošību atbildīgas personas.
- Elektroinstrumenta lietošanas laikā nepieciešams būt tālredzīgiem, novērot kas notiek un saglabāt skaidru saprātu. Nedrīkst lietot elektroinstrumentu noguruma laikā vai narkotisku vielu, alkohola vai zāļu iedarbībā. Neuzmanības mirklis strādājot ar elektroinstrumentu var radīt nopietnas ķermeņa traumas.
- Nepieciešams lietot individuālos aizsardzības līdzekļus. Vienmēr nepieciešams lietot aizsargbrilles. Lietojot attiecīgos apstākļos aizsardzības līdzekļus, tādus kā putekļu maskas, neslidošus apavus, ķiveres vai dzirdes aizsardzības līdzekļus, samazināsies individuālais traumas risks.
- Nepieciešams izvairīties no neparedzētām kustībām. Pirms pieslēgšanas pie barošanas avota un/vai pirms akumulatora pieslēgšanas kā arī pirms tam, kad paceļam vai pārceļam ierīci nepieciešams pārliecināties, ka elektroinstrumenta slēdzis atrodas izslēgšanas stāvoklī. Pārnēsāt elektroinstrumentu ar pirkstu uz slēdža vai barošanas tīkla pieslēgtu elektroinstrumentu pie ieslēgta slēdža var būt par negadījuma iemeslu.
- Pirms elektroinstrumenta palaišanas nepieciešams novākt visas atslēgas. Atslēga atstāta rotējošā elektroinstrumenta tuvumā var radīt individuālas traumas.
- Nedrīkst pārlieku tālu izliekties. Visu laiku nepieciešams stāvēt stabili un saglabāt līdzsvaru. Tas dos iespēju neparedzētās situācijās labāk kontrolēt elektroinstrumentu.
- Nepieciešams attiecīgi ģērbties. Nedrīkst nēsāt vaļigus apģērbus vai rotas lietas. Nepieciešams turēt savus matus, apģērbu un cimdus tālu no kustīgām daļām. Valģis apģērbs, rotas lietas vai gari mati var tikt aizķerti ar kustīgām daļām.
- Ja ierīce ir pielāgota ārējai putekļu sūkšanai un putekļu uzsūkšanai, nepieciešams pārliecināties, ka tie ir pieslēgti un pareizi lietoti. Lietojot putekļu sūcēju var samazināt putekļu

ieelpošanas bīstamību.



BRĪDINĀJUMS! Vispārējie instrumenta drošas lietošanu norādījumi.

Lietošana un gādība par elektroinstrumentu:

- a) Nedrīkst pārslotot elektroinstrumentu. Nepieciešams piemērot elektroinstrumentu veiktajam darbam. Pareizs elektroinstrumenta nodrošinās labāku un drošāku darbu pie slodzes, kādam tas tika projektēts.
- b) Nedrīkst lietot elektroinstrumentu, ja slēdzis to neieslēdz un neizslēdz. Katrs elektroinstrumenta, kuru nevar ieslēgt vai izslēgt ar slēdzi ir bīstams un to nepieciešams labot.
- c) Nepieciešams atvienot elektroinstrumenta kontaktdakšīņu no barošanas avota un/vai atslēgt akumulatoru pirms tiek veikta jebkāda uzstādīšana, detaļu maiņa vai instrumenta glabāšana. Tādas drošības darbības reducē neparedzētu elektroinstrumenta palaišanu.
- d) Nelietotu elektroinstrumentu nepieciešams glabāt bērniem nepieejamās vietās un nedrīkst atļaut personām, kuras nav iepazinušas ar elektroinstrumentu vai šo lietošanas instrukciju lietot elektroinstrumentu. Elektroinstrumenti ir bīstami neapmācītu lietotāju rokās.
- e) Elektroinstrumentu nepieciešams konservēt. Nepieciešams pārbaudīt asu sakrītību vai kustīgo daļu iekļūšanu, detaļu plīsumus un visus apstākļus, kuri varētu ietekmēt elektroinstrumenta darbu. Ja tiek konstatēts bojājums, elektroinstrumentu pirms lietošanas nepieciešams salabot. Daudzu negadījumu iemesls ir nepareiza elektroinstrumenta konservācija.
- f) Griezējinstrumentiem jābūt asiem un tīriem. Attiecīgi uzturēti asi griezējinstrumenta asmeņi samazina iekļūšanās iespējas un atvieglo apkalpošanu.
- g) Elektroinstrumentu, aprikojumu, darba instrumentus un tml. nepieciešams lietot saskaņā ar šo instrukciju, ņemot vērā darba apstākļus un veicamo darbu. Lietot elektroinstrumentu tam neparedzētā veidā var novest pie bīstamām situācijām.
- h) Zemās temperatūrās vai pēc ilgāka nelietošanas laika, ieteicams uz pāris minūtēm ieslēgt elektroinstrumentu bez slodzes, lai piedziņas mehānismā sāktu pareizi darboties smērēļa.
- i) Elektroinstrumentu tīrīšanai lietot mitru, mitru (ne slapju) drānu un ziepes. Nelietot benzīnu, šķīdinātājus un citus līdzekļus, kuri varētu sabojāt ierīci.
- j) Elektroinstrumentu nepieciešams glabāt / transportēt iepriekš pārliecinoties, ka visas kustīgās daļas ir nobloķētas un nodrošinātas pret atbloķēšanu ar oriģināliem šim nolūkam paredzētiem elementiem.
- k) Elektroinstrumentu nepieciešams glabāt sausā, no putekļiem un mitruma sargātā vietā.
- l) Elektroinstrumenta transportēšanu jāveic oriģinālā iepakojumā, kurš pasargā no mehāniskiem bojājumiem.



BRĪDINĀJUMS! Vispārējie instrumenta drošas lietošanu norādījumi.

Remonts:

- a) Savu elektroinstrumentu garantijas un pēcgarantijas remontus veic PROFIX serviss, kas garantē visaugstāko remontu kvalitāti kā arī tiek izmantotas oriģinālas rezerves daļas.



BRĪDINĀJUMS! TRIECIENA URBJMASĪNA, drošības brīdinājumi –

Individuālā drošība:

- a) Nepieciešams lietot dzirdes aizsardzības līdzekļus. Ilglaicīga trokšņa iedarbība var radīt dzirdes zaudēšanu.
- b) Veicot darbus, kur darba instruments varētu trāpīt uz noslēptiem elektriskiem vadiem vai uz pašu barošanas vada, elektroinstrumentu nepieciešams turēt pie roktura izolētām virsmām. Kontakts ar barošanas tīkla vadu, kurš ir zem sprieguma var radīt sprieguma pārnesumu uz elektroinstrumenta metāla daļām kā rezultātā var notikt elektriskās strāvas trieciens.
- c) Nepieciešams lietot attiecīgas meklēšanas ierīces, lai lokalizētu slēptus barošanas vadus vai lūgt pilsētas dienestu palīdzību. Kontakts ar vadiem, kuri ir zem sprieguma var novest līdz ugunsgrēkam vai elektriskā strāvas triecienam. Gāzes vada bojājums var novest līdz sprādzienam. Ūdensvada pārraušana rada materiālus zaudējumus vai notikt elektriskās strāvas trieciens.
- d) Neapstrādājiet materiālus, kas satur azbestu. Azbestam piemīt kancerogēnas īpašības.
- e) Darba vietu nepieciešams uzturēt tīru. Materiālu maisījumi ir sevišķi bīstami. Metāla putekļi var viegli aizdegies un uzsprāgt.
- f) Apstrādājamo priekšmetu nepieciešams nostiprināt. Pārliecināties, ka visi stiprināšanas elementi ir nostiprināti un pārbaudīti, lai nebūtu pārmērīgas pielādes. Apstrādājamo priekšmetu ir drošāk nostiprināt stiprināšanas ierīcē vai skrūvspilēs nekā turēt to rokā.
- g) Instrumentus lietot kopā ar papildus patronu pievienotu pie instrumenta. Zaudējot kontroli var operatoram rodas traumu bīstamība.
- h) Elektroinstrumentu darba laikā nepieciešams stipri turēt abās rokās aiz galvenā roktura un palīgroktura, ievērot stabilu pozīciju. Elektroinstrumentu drošāk vadīt abās rokās.
- i) Elektroinstrumentu nepieciešams nekavējoties izslēgt, kad bloķējas lietotais griezējinstrumenta. Nepieciešams būt gatavam lielai vibrācijai, kura var radīt atmešanu. Lietotais instruments bloķējas, ja elektroinstrumenta ir pārslotots vai saliecas apstrādājamā priekšmetā.
- j) Pārtraucot darbu, instrumentu maiņas, remonta, tīrīšanas vai regulēšanas laikā nepieciešams atslēgt mašīnu no elektriskā tīkla. Pirms elektroinstrumenta nolikšanas pagaidīt līdz tas apstājas. Darba instruments var iebloķēties, kas rada ka tiek zaudēta kontrole par elektroinstrumentu.
- k) Elektroinstrumentu nedrīkst lietot ar bojātu barošanas vadu. Nedrīkst pieskarties pie bojāta vada; ja vads tiek bojāts darba laikā, nepieciešams izvilkēt kontaktdakšīņu no kontaktlīdzgads. Bojāti vadi palielina elektriskās strāvas trieciena risku.
- l) Ja elektroinstrumenta barošanas vads tiek bojāts, to jāapmaina ar savienojuma vadu, kurš ir pieejams servisa punktā.

TRIECIENA URBJMAŠĪNAS PIELIETOJUMS UN UZBŪVE:

Triecienu urbjmašīna paredzēta betona, kļeģeļa un akmens caurumu urbšanai ar triecienu, kā arī viegliem atskaldīšanas darbiem ar kaltu. To var lietot arī koka, metāla, keramikas un plastmasas caurumu urbšanai bez triecienu.

Kategoriski izslēgts lietot ierīci visos citos nolūkos.

Triecienu urbjmašīna tiek piedzīta ar vertikāli novietotu vienfāzes suku dzinēju.

lerīce nav paredzēta ilglaicīgam darbam smagos apstākļos. Nedrīkst to lietot darbos, kur nepieciešams profesionālo ierīču pielietojums.

Aizliegts elektroinstrumentu pielietot neatbilstoši augstāk uzrādītam pielietojumam, tas rada garantijas zaudēšanu kā arī ražotājs neatbild par šādā veidā radītiem zaudējumiem.

Jebkādas ierīces modifikācijas, kuras veic lietotājs atbrīvo ražotāju no atbildības par bojājumiem un zaudējumiem, kuri nodarīti lietotājam un apkārtējiem.

Pareiza elektroinstrumenta lietošana attiecas arī uz konservāciju, glabāšanu, transportu un remontu.

Elektroinstrumentu drīkst lietot tikai ražotāja uzrādītās servisa punktos. Ierīces, kuras tiek barotas no elektriskā tīkla drīkst lietot tikai pilnvarotas personas.

Neskatoties uz pielietojumam paredzēto lietošanu nevar pilnībā izslēgt atsevišķus riska elementus. Nemot vērā mašīnas konstrukciju un uzbūvi var rasties sekojošas bīstamības:

- Pieskāšanās darba laikā pie rotējošā darba instrumenta ar operatora roku vai apģērbu, barošanas vadu.
- Aplaušanās darba instrumenta maiņas laikā. (Darba laikā darba instruments ļoti sakarst, lai novērstu aplaušanās iespēju tai maiņas laikā nepieciešams lietot aizsargcimdus).
- Apstrādājamā priekšmeta vai apstrādājamā priekšmeta daļu atmešana.
- Darba instrumenta deformācija/salūšana.

■ Komplektācija

- Triecienu urbjmašīna - 1 gab.
- Palīgrokturis - 1 gab.
- Urbšanas dziļuma ierobežotājs - 1 gab.
- Plakanais kalns - 1 gab.
- Spice - 1 gab.
- Urbji SDS-plus - 3 gab. (8,10,12 mm)
- Putekļu savākšanas gumijas gredzens - 1 gab.
- Oglekļa suku - 2 gab.
- Transportēšanas koferis - 1 gab.
- Apkalpošanas instrukcija - 1 gab.
- Garantijas karte - 1 gab.

■ Ierīces elementi

Ierīces elementu numerācija attiecas uz lietošanas instrukcijas 2-3 lapaspusē atrodošos grafisko attēlu:

Zīm. A 1. Instrumenta patrona SDS-plus

2. Putekļu pārsegs
3. Fiksējošā uzdeva
4. Urbšanas dziļuma ierobežotājs
5. Urbšanas dziļuma ierobežotāja fiksēšanas skrūve
6. Darba režīma bloķēšanas atbrīvošanas poga
7. Darba režīma maiņas slēdzis

8. Galvenais rokturis ar pretslīdēšanas uzliktni

9. Slēdzis

10. Barošanas ieslēgšanas indikatora diode

11. Barošanas vads

12. Papildus rokturis

Zīm. C 13. Urbjmašīnas patronas ar zobrata gredzenu fiksēšanas skrūve*

14. Urbjmašīnas patrona ar zobrata gredzenu*

15. Urbjmašīnas patronas SDS-plus stiprināšanas uzgali*

Zīm. F 16. Urbjmašīnas patronas ar zobrata gredzenu atslēga*

Zīm. H 17. Putekļu savākšanas gumijas gredzens

* *Aprakstītais vai uzrādītais aprīkojums pilnībā neietilpst elektroinstrumenta standarta komplektā.*

TEHNISKIE DATI:

Barošanas spriegums	230 V-240 V	
Barošanas frekvence	50 Hz	
Jauda	1250 W	
Griešanās ātrums bez slodzes n_0	0-850 /min	
Triecienu skaits / triecienu enerģija	0-4500 min / 5 J	
Urbjmašīnas patrona	SDS-plus	
Maksimālais urbšanas diametrs	tērauds - 13 mm	
	betons - 30 mm	
	koks - 40 mm	
Masa (bez aprīkojuma)	5,0 kg	
Ierīces klase	II/II	
Aizsardzības pakāpe	IP20	
Akustiskā spiediena līmenis (LpA) (± 3 dB(A))	90,9 dB(A)	
Akustiskās jaudas līmenis (LwA) (± 3 dB(A))	101,9 dB(A)	
Vibrācijas līmenis atbilstoši normai:	EN 60745-2-6	
- urbšana ar triecienu betonā $a_{h,HD}$	galvenais rokturis	13,59 m/s ²
	palīgrokturis	11,265 m/s ²
- kalšana $a_{h,CRQ}$	galvenais rokturis	14,30 m/s ²
	palīgrokturis	14,501 m/s ²
- mērījumu izkliede		1,5 m/s ²

Uzrādītais vibrācijas līmenis ir reprezentatīvs elektroinstrumenta pamata lietošanai. Ja elektroinstrumenti tiek lietoti citos nolūkos vai ar citiem darba instrumentiem, vai arī ja nebus pietiekami konservēti, vibrācijas līmenis var atšķirties no uzrādītā. Augstāk uzrādītie iemesli var radīt vibrācijas ekspozīcijas palielināšanos visā darba laikā.

Nepieciešams realizēt papildus drošības līdzekļus, kuri pasargās operatoru no vibrācijas ekspozīcijas, piem.: Elektroinstrumenta un darba instrumenta konservācija, atbilstošas roku temperatūras nodrošināšana, darba operāciju veikšanas secības noteikšana.

PIRMS DARBA SĀKUMA:

1. Pārliecināties, ka barošanas avota parametri atbilst parametriem uzrādītiem uz triecienu urbjmašīnas plāksnītes.
2. Pārliecināties, ka triecienu urbjmašīnas slēdzis (9) atrodas ieslēgšanas stāvoklī.
3. Vienmēr nepieciešams lietot palīgrokturi (12). Droši turot instrumentu ar abām rokām samazināsies darba negadījuma risks.

Palīgrokturi stiprina pārliekot roktura apmavu ap triecienu urbjmašinas patronu un bloķē pieskrūvējot rokturi pulksteņa rādītāja kustības virzienā.

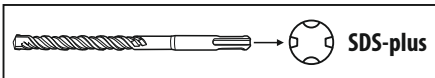
Lai varētu ieņemt stabilu un ērtu darba pozīciju iespējams ir iespēja brīvi pielāgot palīgrokturi. Pagriežot rokturi pretēji pulksteņa rādītāja kustības virzienam, nepieciešams novietot palīgrokturi vēlamā stāvoklī un atkārtoti pieskrūvēt rokturi, lai to nofiksētu (zīm. B).

- Strādājot ar pagarinātāju nepieciešams pārliecināties, ka pagarinātāja parametri, vadu šķēsgriezums atbilst triecienu urbjmašinas parametriem. Ieteicams lietot pēc iespējas īsus pagarinātājus. Pagarinātājam jābūt pilnībā atstātam.

DARBALAIKĀ:

■ Urbja izvēle

Triecienu urbšanai betonā, kiegēlī, akmenī un kaļšanas darbos nepieciešami SDS-plus instrumenti, kurus ieliek SDS-plus urbšanas patronā (1).



Urbjot tēraudā vai kokā lieto instrumentus bez SDS-plus (piem. urbji ar cilindrisko stiprināšanu). Šiem instrumentiem nepieciešama bez atsēgas vai zobrata gredzena patrona.

NORĀDĪJUMS: Urbjot ar triecienu vai strādājot ar kalnu nedrīkst lietot instrumentu bez SDS-plus! Instrumenti bez SDS-plus un to urbjmašinas patronas urbjot ar triecienu vai strādājot ar kalnu tiks sabojātas.

■ Urbjmašinas patronas ar zobrata gredzenu montāža (zīm. C)

- Ieskrūvē SDS-plus (15) stiprināšanas uzgali urbjmašinas patronā ar zobrata gredzenu (14).
- Nofiksēt urbjmašinas zobrata gredzena patronu (14) ar drošības skrūvi (13).

UZMANĪBU: Nepieciešams atcerēties, ka drošības skrūvei ir kreisā vītne.

- Notīrīt uzgaļa iesprauzamo galu un to nedaudz ieeļļot.
- Pārvietot fiksēšanas gredzenu (3) maksimāli uz aizmuguri un turēt šādā stāvoklī.
- Pagriežot urbjmašinas patronu iebīdīt stiprināšanas uzgali SDS-plus instrumenta patronā (1).

- Atbrīvot fiksēšanas gredzenu.

- Pārbaudīt fiksēšanu pavelkot urbjmašinas patronu ar zobrata gredzenu.

■ Urbjmašinas patronas ar zobrata gredzenu demontāža (zīm. D)

- Atbīdīt fiksēšanas gredzenu (3) uz aizmuguri un noņemt urbjmašinas patronu ar zobrata gredzenu (14).
- Pēc demontāžas urbjmašinas patronu ar zobrata gredzenu (14) nepieciešams sargāt no netīrumiem. Nepieciešamības gadījumā var nedaudz ieeļļot zobratu.

■ Instrumentu maiņa

Ar instrumentu patronu SDS-plus var vienkārši un ērti apmainīt darba instrumentu nelietojot papildus aprīkojumu.

Sistēmā SDS-plus darba instrumentam ir kustības brīvība. Tāpēc brīvgaitā notiek sīšana. Tas nekādā mērā neiedarbojas uz urbo caurumu precizitāti, par cik urbis urbšanas laikā patstāvīgi centrējas.

Darba laikā putekļu pārsegs (2) ievērojamā mērā sargā no putekļu iekļūšanas instrumentu patronā. Ieliekot instrumentu nepieciešams uzmanīties, lai nesabojātu putekļu pārsegu (2).

Bojātu putekļu pārsegu nepieciešams nekavējoties apmainīt. Apmaiņu ieteicams veikt servisa punktā.

■ Darba instrumenta SDS-plus stiprināšana (zīm. E)

- Stiprinātā instrumenta galu nepieciešams notīrīt un nedaudz ieeļļot.
- Pārvietot fiksēšanas gredzenu (3) maksimāli uz aizmuguri un turēt šādā stāvoklī.
- Aprīkojumu nepieciešams ielikt instrumenta patronā griežot to līdz brīdim, kad tas atdursies.
- Atbrīvot fiksēšanas gredzenu.
- Aizvērsšanu nepieciešams pārbaudīt pavelkot instrumentu.

■ SDS-plus darbinstrumenta izņemšana (zīm. E)

UZMANĪBU: Uzreiz pēc darba beigām darba instruments var būt karsts. Nepieciešams izvairīties no tieša kontakta ar to un lietot atbilstošus aizsargcimdus.

- Pavirziet spīluzmavu (3) instrumenta korpusa virzienā un izvelciet darbinstrumentu no turētāja paveres.
- Darba instrumentu pēc izņemšanas nepieciešams notīrīt.

■ Darba instrumentu ielikšana bez SDS-plus (zīm. F)

- Uzlikt urbjmašinas patronu ar zobrata gredzenu (14).
- Atvērt urbjmašinas patronu ar zobrata gredzenu pagriežot gredzenu tik daudz, lai būtu iespēja ielikt darba instrumentu. Ielikt darba instrumentu.
- Ielikt atsēgu (16) attiecīgos urbšanas patronas ar zobrata gredzenu caurumos un darba instrumentu vienmērīgi nofiksēt.
- Slēdzi (7) novietot uz simbolu «Urbšana» -

■ Darba instrumentu izņemšana bez SDS-plus (zīm. F)

UZMANĪBU: Uzreiz pēc darba beigām darba instruments var būt karsts. Nepieciešams izvairīties no tieša kontakta ar to un lietot atbilstošus aizsargcimdus.

- Ar urbšanas patronas atsēgu (16) pagriežot urbšanas patronu ar zobrata gredzenu (14) pulksteņa rādītāja kustības virzienā, līdz būs iespējams izņemt darba instrumentu.
- Darba instrumentu pēc izņemšanas nepieciešams notīrīt.

■ Darba režīma pārslēgšana

UZMANĪBU: Darba režīma maiņu var veikt tikai tad, kad elektroinstrumentu ir izslēgts! Pretējā gadījumā var notikt elektroinstrumenta bojājums.

Ar darba režīma maiņas slēdzi (7) var izvēlēties elektroinstrumenta darba režīmu.

Lai mainītu darba režīmu nepieciešams nospiegt bloķēšanas atbrīvošanu (6) un novietot darba režīma slēdzi vēlamā stāvoklī, līdz dzirdams fiksatora klikšķis.

Urbšana:

Slēdzi (7) novietot uz simbolu -

Urbšana ar triecienu:

Slēdzi (7) novietot uz simbolu -

Kaļšana (apgrīzieni bloķēti):

Slēdzi (7) novietot uz simbolu -

Stāvoklī «Kaļšana» ierīces ieslēgšanas momentā triecienu skaits

automātiski palielinās; pateicoties tam kalšanas laika instruments strādā ar palielinātu jaudu. instruments strādā ar palielinātu jaudu.

Kalta stāvokļa maiņa:

Instrumentu patronā ielikta kalta.

Slēdzi (7) novietot uz simbolu - 

Pagriezti instrumenta patronu novietojot kalta vēlamā darba stāvokli.

Darba režīma slēdzi (7) novietot stāvokli «Kalšana». Šādā veidā instrumenta patrona tiek savā stāvokli bloķēta.

Darba režīma slēdzim (7) kalšanas laikā vienmēr jāatrodas stāvokli «Kalšana».

Urbšanas dziļuma uzstādīšana (zim. B)

Urbšanas dziļuma ierobežotāju (4) var uzstādīt uz materiāla vēlamo urbuma dziļumu X. Šajā nolūkā nepieciešams:

- Ielikta darba instrumentu patronā SDS-plus (1) un nostiprināt gala stāvokli. Pretējā gadījumā SDS-plus instrumenta kustība var radīt nepareizu urbuma dziļuma ierobežotāja uzstādīšanu;
- Atskrūvējiet fiksēšanas skrūvi (5) un izbīdīt ierobežotāju (4) tādā veidā, lai attālums no urbja gala un dziļuma ierobežotāja gala būtu vēlamais urbuma dziļums X;
- Stingri pieskrūvējiet fiksēšanas skrūvi.

Ieslēgšana/izslēgšana

- Lai ieslēgtu elektroinstrumentu nepieciešams nospiegt slēdzi (9) un turēt nospiestu.
- Elektroinstrumentu izslēgšanai nepieciešams atbrīvot slēdzi (9).

Apgrīzietu ātruma/triecienu daudzuma uzstādīšana

Palielinot vai samazinot spiedienu uz slēdzi (9) var pakāpeniski uzstādīt apgrīzietu ātrumu/triecienu daudzumu.

Viegls spiediens uz slēdzi (9) rada mazu apgrīzietu ātrumu/triecienu daudzumu.

Palielināts spiediens paaugstina apgrīzietus/triecienu daudzumu.

Pārslēgšanas sajūgs

Gadījumā, ja lietotais instruments iekļējas vai iebloķējas, tad triecienu urbjmašīnas vārpstas piedziņa tiek pārtraukta. Elektroinstrumentu vienmēr nepieciešams apturēt, pie tam ņemot vērā radītos spēkus, turēt elektroinstrumentu stipri ar abām rokām un ieņemt drošu darba pozīciju.

Elektroinstrumenta bloķēšanas gadījumā, nepieciešams to izslēgt un atbrīvot darba instrumentu. Ieslēdzot iebloķētu triecienu urbjmašīnu rodas stiprs atmešanas moments.

Diodes indikators

Zaļais barošanas ieslēgšanas diodes indikators (10) iedegas, kad ierīce ir pieslēgta pie tīkla. Ja indikators iedegas, bet ierīci nevar iedarbināt, oglekles var būt nolietotas, vai arī elektriskā ķēde vai dzinējs var būt bojāti.

Ja barošanas ieslēgšanas indikators (10) neiedegas un ierīce netiek iedarbināta, slēdzis vai barošanas vads var būt bojāti.

Pilnībā pret vibrācijām amortizēts galvenais rokturis

Amortizatori, kas atrodas galvenajā rokturī (8), absorbē vibrācijas, ko saņem lietotājs. Tādējādi lietotājam ir ērtāk veikt darbu.

DARBA NORĀDĪJUMI:

- Lai urbtu caurumus keramiskā flīzē nepieciešams pārslēgt darba režīma slēdzi (7) stāvokli «urbšana». Pēc cauruma izurbšanas

keramiskā flīzē darba režīma slēdzi var pārslēgt stāvokli «urbšana ar triecienu» un tālāk strādāt ar triecienu.

- Strādājot betonā, akmenī un mūrī nepieciešams lietot cietsakausējuma urbjus.
- Urbjot caurumus griestos nodrošinoties pret kritošiem putekļiem nepieciešams lietot putekļu savākšanas gumijas gredzenu (17), kuru uzliek uz urbja (skat. zim. H).
- Metāla urbšanai lietot tikai asus metāla urbjus.

GLABĀŠANA UN KONSERVĀCIJA:

Mašīnu nepieciešams glabāt bērniem nepieejamā vietā, uzturēt tīru, sargāt no mitruma un putekļiem. Glabāšanas apstākļiem jāizslēdz mehānisko bojājumu iespēju kā arī atmosfēras apstākļu iedarbību.

Ārējas plastmasas detaļas var tīrīt ar mikstu drānu lietojot neitrālu tīrīšanas līdzekli.

UZMANĪBU: NEKAD nedrīkst lietot šķidrinašās vielas.

Pēc urbuma betonā, stipri putekļainā vidē ieteicams ar saspiesto gaisu izpūst (spiediens ne lielāks par 0,3 MPa) ventilācijas atveres un instrumenta patronu. Tas novērsīs gultņu defektu, likvidēs dzinēja dzesējošā gaisa piekļūšanai bloķējošos putekļus.

Tehniskā apkalpošana ietver arī periodisku smērēļas maiņu pārnesuma mehānismā. Smērēļļu nepieciešams mainīt pēc katrām 40-50 darba stundām.

Lai izvairītos no ierīces sabojāšanas, smērēļļas maiņu nepieciešams veikt tikai specializētā servisa centrā vai to veic kvalificēta persona.

TRANSPORTS:

Triecienu urbjmašīnu transportēt un glabāt transportēšanas koferi, kurš sargā no mitruma, putekļiem un smalkiem elementiem, īpaši nepieciešams nodrošināt ventilācijas atveres. Smalkie elementi, kuri iekļūst korpusa iekšpusē var sabojāt dzinēju.

TIPISKIE DEFEKTI UN TO NOVĒRŠANA:

Ierīce nedarbojas:

- pārbaudīt vai barošanas vads ir pareizi pievienots un veikta drošinātāju pārbaudi,

Triecienu urbjmašīna «pārtrauca» vai dzirksteļo:

- pārbaudīt un apmainīt ogļišu sukas.

UZMANĪBU! Oglīšu sukas var mainīt tikai pilnvarots elektriķis.

- ja elektroinstrumenti nedarbojas, neskatoties uz to ka ir spriegums, to nepieciešams nosūtīt uz remonta servisa punktu. Adreses uzrādītas garantijas kartē.

RAŽOTĀJS:

PROFIS SIA,

Maryvilksa iela 34,
03-228 Varšava, Polija

VIDES AIZSARDZĪBA:



UZMANĪBU: Tajā veidā apzīmētus izstrādājumus, neizpildes gadījumā paredzot naudas sodu, nedrīkst izmest kopā ar parastiem atkritumiem. Elektriskajā un elektroniskajā iekārtā esošās briesmīgas vielas var kaitēt apkārtējai videi un cilvēku veselībai.

Nepieciešams veicināt iekārtu atkritumu pārstrādāšanai un atkārtotai izmantošanai (reciklēšanai). Polijā un Eiropā tiek veidots, vai jau eksistē, iekārtu atkritumu vākšanas sistēma, saskaņā ar ko visiem iepriekšminētās iekārtas pārdošanas punktiem ir pienākums pieņemt

nolietotu iekārtu. Turklāt, ir pieejamas iepriekšminētas iekārtas vākšanas punkti.

PIKTOGRAMMAS:

Apzīmējumu skaidrojums, kuri atrodas uz plāksnītes un informācijas uzlīmēm.



– «Pirms ieslēgšanas un darba sākuma
nepieciešams iepazīties ar šo instrukciju»



– «Lietot dzirdes aizsardzības līdzekļus»



– «Vienmēr lietot aizsargbrilles»



– «Lietot putekļu maskas»



Firmas PROFIX politika ir nepārtraukta savu produktu pilnveidošanas politika, tāpēc firma sev rezervē tiesības ievest izstrādājuma specifikācijas izmaiņas bez iepriekšējas paziņošanas. Zīmējumi, kuri uzrādīti apkalpošanas instrukcijā kalpo tikai kā piemērs un var nedaudz atšķirties no iegādātās ierīces reālā izskata.

Šī instrukcija ir sargāta ar autortiesībām. Aizliegts to kopēt/pavairot bez PROFIX SIA rakstiskas atļaujas.



PRIEŠ RADEKANT DARBĄ SUSIPAŽINKITE SU INSTRUKCIJA.

Išsaugokite instrukciją, nes gali būti reikalinga vėliau.



ĮSPĖJIMAS! Prašome perskaityti visus įspėjimus dėl saugaus naudojimo pažymėtus simboliais ⚠ bei visas nuorodas dėl saugaus naudojimo.

Žemiau pateikiamų įspėjimų dėl saugos bei saugos nuorodų nesilaikymas gali būti elektros smūgio, gaisro ir/arba sunkių kūno sužalojimų priežastimi.

Išsaugokite visus įspėjimus ir visas saugos nuorodas, kad vėliau būtų galima jais pasinaudoti.

Žemiau pateiktose įspėjimuose švokva „elektros prietaisas“ apibūdina elektros prietaisą maitinamą elektros energija iš elektros tinklo (maitinimo laidas) arba elektros prietaisą maitinamą akumuliatoriumi (batais).



ĮSPĖJIMAS! Bendri įspėjimai dėl saugaus įrankio naudojimo.

Sauga darbo vietoje:

- a) Darbo vietoje turi būti švaru, tvarkinga bei geras apšvietimas. *Netvarka bei netinkamas darbo vietos apšvietimas gali būti nelaimingų atsitikimų priežastimi.*
- b) Nenaudoti elektros prietaiso sprogiroje aplinkoje, kurioje yra degūs skysčiai, degios dujos arba dulkės. *Elektros prietaiso darbo metu susidaro elektros kibirkštis, todėl gali užsidegti esantis aplinkoje garai.*
- c) Darbo vietoje negali būti vaikiai bei pašaliniai. *Dėmesio nukreipimas gali būti elektros prietaiso valdymo praradimo priežastimi.*



ĮSPĖJIMAS! Bendri įspėjimai dėl saugaus įrankio naudojimo.

Elektros sauga:

- a) Elektros prietaisų kištukai turi atitikti elektros lizdo tipui. Jokiu būdu negalima keisti kištuko. Jeigu elektros prietaisas turi įžeminimą, negalima naudoti ilgtuvo. *Originalių kištukų bei lizdų naudojimas sumažina elektros smūgio riziką.*
- b) Venkite kūno kontakto su įžemintais paviršiais, tokiais kaip vamzdžiai, šildytuvai, centrinio šildymo radiatoriai bei šaldytuvais. *Kontaktas su įžemintais paviršiais didina elektros smūgio pavojų.*
- c) Saugokite prietaisą nuo lietaus ir drėgmės. *Jeigu vanduo patenka į elektros prietaisą, padidėja elektros smūgio rizika.*
- d) Nenaudokite laidų ne pagal paskirtį. Neneškite įrenginio paėmę už laido, netraukite už jo norėdami išjungti kištuką iš elektros lizdo. Laidą klokite taip, kad jo neveiktų karštis, jis neišsietų alyva ir jo nepažeistų aštrios detalės ar judančios prietaiso dalys. *Pažeistas laidas gali tapti elektros smūgio priežastimi.*
- e) Jeigu elektros prietaisas yra naudojamas lauke, laido prailginimui naudokite tik specialiai tam skirtus prailgintuvus. *Prailgintuvų skirtų darbui lauke naudojimas sumažina elektros smūgio riziką.*
- f) Įrankį rekomenduojama jungti į elektros maitinimo tinklą, turintį likutinės srovės įrenginį (RCD), kurio išjungimo srovė

yra 30mA arba mažesnė.

- g) Jeigu negalima išvengti elektros prietaiso naudojimo drėgnoje aplinkoje, naudokite RCD įrenginį. *RCD įrenginio naudojimas sumažina elektros smūgio riziką.*



ĮSPĖJIMAS! Bendri įspėjimai dėl saugaus įrankio naudojimo.

Žmonių sauga:

- a) Prietaisu negali naudotis asmenys (tame tarpe vaikai) turintys fizinius, jutimo arba psichinius negalavimus, taip pat asmenys neturintys darbo patirties arba nesusipažinę su prietaisu, nebent toks darbas vyksta stebint specialistui arba pagal prietaiso naudojimo instrukciją, kurį buvo perduota asmeniui atsakingu už saugą.
- b) Būkite atidūs, sutelkite dėmesį į tai, ką Jūs darote ir, dirbdami su elektros prietaisu, vadovaukitės sveiku protu. Nedirbkite su prietaisu, jei esate pavargę arba vartojote narkotikus, alkoholį ar medikamentus. *Akimirkšnio neatidumas naudojant prietaisą gali tapti rimtų sužalojimų priežastimi.*
- c) Dėvėkite tinkamą aprangą. Nešiokite apsauginius akinius. *Apsauginės aprangos, tokios kaip dulkių kaukė, neslystantis apsauginiai batai, šalmas, asinės, naudojimas sumažina sužalojimų grėsmę.*
- d) Saugokitės, kad neįjungtumėte prietaiso atsitiktinai. Prieš įjungiant kištuką į elektros lizdą ir/arba prieš akumuliatoriaus įjungimą bei prieš paimant arba pernešant prietaisą įsitikinkite, kad prietaisas yra išjungtas. *Prietaiso pernešimas su pirštu ant jungiklio arba prietaiso įjungimas į maitinimo tinklą gali tapti nelaimingo atsitikimo priežastimi.*
- e) Prieš įjungdami prietaisą pašalinkite raktus. *Prietaiso besisukančioje dalyje esantis įrankis ar raktas gali tapti sužalojimų priežastimi.*
- f) Nepasilenkite pernelę į priekį. Dirbdami atsistokite patikimai ir visada išlaikykite pusiausvyrą. *Patikima stovėseną ir tinkama kūno laikysena leis geriau kontroliuoti prietaisą netikėtose situacijose.*
- g) Dėvėkite tinkamą aprangą. Nedėvėkite plačių drabužių ir papuošalų. Saugokite plaukus, drabužius ir pirštines nuo besisukančių prietaiso dalių. *Laisvus drabužius, papuošalus bei ilgus plaukus gali įtraukti besisukančios prietaiso dalys.*
- h) Jeigu įrenginiai yra pritaikyti prijungimui prie dulkių nusiurbimo ir dulkių surinkėjo, įsitikinkite, kad šie įrenginiai tinkamai prijungti ir panaudoti pagal paskirtį. *Dulkių surinkėjų panaudojimas sumažina dulkių poveikio pasekmes.*



ĮSPĖJIMAS! Bendri įspėjimai dėl saugaus įrankio naudojimo.

Rūpestinga elektros prietaisų priežiūra ir naudojimas:

- a) Neperkraukite prietaiso. Naudojamo prietaiso galingumas turi atitikti atliekamam darbui. *Tinkamai parinktas elektros prietaisas leis atlikti darbą gerai ir saugiai.*
- b) Nenaudokite elektros prietaiso su sugedusiu jungikliu. *Elektros prietaisas, kurio nebegalima jungti ar išjungti, yra pavojingas ir jį reikia remontuoti.*

- c) **Prieš reguliuodami prietaisą, keisdami darbo įrankius arba prieš sandėliavimą ištraukite kištuką iš elektros lizdo ir/arba atjunkite akumuliatorių.** Ši saugumo priemonė apsaugos jus nuo netikėto prietaiso įsijungimo.
- d) **Nenaudojamą prietaisą sandėliuokite vaikams ir nemokantiems juo naudotis arba nesuapžinusiems su instrukcija asmenims neprieinamoje vietoje.** *Elektriniai įrankiai yra pavojingi, kai juos naudoja nepatyrę asmenys.*
- e) **Rūpestingai prižiūrėkite prietaisą. Patikrinkite, ar besisukančios prietaiso dalys tinkamai veikia ir niekur nekliūva, ar nėra sulūžusių ar šiaip pažeistų dalių, kurios įtakotų elektros prietaiso veikimą. Jeigu yra gedimai suremontuokite prietaisą.** *Daugelio nelaimingų atsitikimų priežastis yra blogai prižiūrimi elektros prietaisai.*
- f) **Pjovimo įrankiai turi būti aštrūs ir švarūs.** *Rūpestingai prižiūrėti elektros prietaisai su aštriais pjovimo įrankiais yra lengviau valdomi ir juos geriau kontroliuoti.*

- g) **Elektros prietaisą, papildomus įrankius, darbo įrankius ir t.t. naudokite tik pagal instrukciją, turėdami omeny darbo sąlygas bei atliekamo darbo pobūdį.** *Elektros prietaiso naudojimas ne pagal paskirtį gali sukelti pavojingas situacijas.*
- h) **Jeigu prietaisas nebuvo naudojamas ilgesnį laiką arba yra naudojamas žemos temperatūros sąlygose, įjunkite jį keliomis minutėms be apkrovos tam, kad tepalas tinkamai pasiskirstytų pavaros mechanizme.**
- i) **Elektros prietaisus valykite minkštu, drėgnu (ne šlapiu) skuduru ir muilu. Nenaudokite benzino, tirpiklių bei kitų priemonių galinčių pažeisti prietaisą.**
- j) **Elektros prietaisą laikykite/transportuokite tik po to, kai įsitikinsite, kad jo visos besisukančios dalys yra užblokuotos ir saugomos originaliomis, specialiai tam skirtomis detalėmis.**
- k) **Elektros prietaisą laikykite sausoje, apsaugotoje nuo dulkių bei drėgmės vietoje.**
- l) **Elektros prietaisą transportuokite originalioje pakuotėje, saugančioje nuo mechaninių pažeidimų.**



ĮSPĖJIMAS! Bendri įspėjimai dėl saugaus įrankio naudojimo.

Remontas:

- a) **Garantinį ir pogarantinį elektros įrankių remontą atlieka PROFIX servisas, todėl garantuojama aukščiausia remonto darbų kokybė bei originalios atsarginės dalys.**



DĖMESIO!
Saugaus darbo GRAŽTU PERFORATORORIUMI nurodymai:

- a) **Darbo metu naudokite klausos apsaugos priemones.** *Ilgalaikis darbas triukšme gali sukelti klausos praradimą.*
- b) **Darbo metu, kai yra pavojus užkliudyti elektros laidus arba paties prietaiso laidą, elektros prietaisą laikykite už izoliuotus paviršius.** *Jeigu yra kontaktas su elektros laidais, tai visos metalinės prietaiso dalys taip pat yra po įtampa, o tai gali sukelti elektros smūgį.*
- c) **Elektros laidų lokalizavimui naudokite tinkamus lokalizavimo prietaisus arba kreipkitės į pastato administraciją.** *Kontaktas su elektros laidais gali būti gaisro bri elektros smūgio priežastimi. Dujų vamzdžio pažeidimas gali sukelti*

sprogimą. Vandentiekio vamzdžių pažeidimas gali sugadinti aplinkoje esančius daiktus.

- d) **Draudžiama dirbti su medžiagomis, kurių sudėtyje yra asbestas.** *Asbestas gali būti navikinių susirgimų priežastimi.*
- e) **Darbo vietoje turi būti švaru.** *Ypač pavojingi yra medžiagų mišiniai. Lengvos metalo dulksės gali užsidegti arba sprogti.*
- f) **Būtina patikimai pritvirtinti apdorojamą daiktą.** *Įsitinkinkite, kad visi tvirtinimo gnybtai yra užverti bei patikrinkite, kad jie nebūtų pernelyg laisvi. Apdorojamo daikto pritvirtinimas tvirtinimo mechanizmu arba spaustuose didina darbo saugumą.*
- g) **Naudoti papildomus rankenas.** *Kontrolės praradimas gali būti susižalojimo priežastimi.*
- h) **Elektros prietaisą laikykite abiem rankomis ir užtikrinkite stabilią darbo poziciją.** *Elektros įrankio laikymas abiem rankomis užtikrina didesnę saugumą.*
- i) **Jeigu naudojamas įrankis įstrigo, nedelsiant ištraukite elektros prietaiso kištuką iš elektros lizdo. Būkite pasiruošę įrankio vibravimui, kuriuo metu gali būti atmeta apdorojama medžiaga.** *Naudojamas įrankis gali įstrigti, jeigu: elektros prietaisas bus perkrautas arba išsikreivins apdorojamoje medžiagoje.*
- j) **Prietaiso kištuką ištraukite iš lizdo darbo pertraukus metu, antgalių keitimui metu, remonto, valymo arba reguliavimo metu.** *Prietaisą dėkite tik, kai jo dalis jau visiškai nejuda. Darbo įrankis gali užstrigti ir tokiu atveju galima prarasti kontrolę.*
- k) **Draudžiama naudotis prietaisu, jeigu jo maitinimo laidas yra pažeistas.** *Jeigu laidas yra pažeistas, jokių būdu neleskite jo; jeigu laidas yra pažeidžiamas darbo metu, iš karto ištraukite jo kištuką iš elektros lizdo. Pažeistas maitinimo laidas gali būti elektros smūgio priežastimi.*
- l) **Jeigu sugedo elektros prietaiso laidas, jį pakeisti galima pas gamintoją, specializuotame remonto punkte arba gali tai atlikti specialistas tam, kad išvengtumėte pavojaus.**

GRAŽTO PERFORATORIAUS SANDARA IR PASKIRTIS:

Perforatorius-gręžtuvas yra skirtas smūginiam betono, plytų ir akmens gręžimui bei kalimui. Taip pat grąžtą galima naudoti įprastam medienos, metalo, keramikos bei sintetinių medžiagų gręžimui.

Kategoriškai draudžiama naudoti prietaisą kitiems tikslams.

Perforatorius-gręžtuvas yra varomas vienfaziu varikliu (sumontuotas vertikaliai).

Netinka ilgalaikiam darbui sunkiose sąlygose. Draudžiama naudotis prietaisu atliekant darbus reikalaujančius profesionalių įrenginių.

Kiekvienas elektros prietaiso panaudojimas ne pagal paskirtį sukelia garantijos praradimą bei gamintojas tokiu atveju nėra atsakingas už patirtas žalas.

Bet kokios prietaiso modifikacijos padarytos naudotoju atleidžia gamintoją nuo atsakomybės už žalos patirtas tokiu atveju naudotoju bei aplinkiniams.

Tinkamas naudojimas taip pat apima tinkama elektros prietaiso priežiūrą, sandėliavimą, transportavimą bei remontą.

Elektros prietaiso remontą galima atlikti tik specialiuose punktuose nurodytose gamintoju. Prietaisų, maitinamų elektra remontą gali atlikti tik igaliojoti asmenys.

Nepaisant tinkamo prietaiso naudojimo negalima visiškai išvengti

rizikos. Galimi rizikos atvejai:

- Besisukancio darbo įrankio lietimasis ranka arba rūbais, kontaktas su maitinimo laidu.
- Apsisūtinimas keičiant darbo įrankį. (Darbo metu darbo įrankis labai įkaista ir tam, kad išvengti apsisūtinimo jo keitimo metu būtina naudoti apsaugines pirštines).
- Apdorojamos medžiagos arba jos dalies atmetimas;
- Darbo įrankio iškreivimas / lūžis.

■ Kompletacija

- Grąžtas perforatorius – 1 vnt.
- Papildoma rankena – 1 vnt.
- Gręžimo gylio ribotuvas – 1 vnt.
- Plokščias kaltas – 1 vnt.
- Smaigalys – 1 vnt.
- Grąžtai SDS-plus – 3 vnt. (8, 10, 12 mm)
- Guminis žiedas dulkiems surinkti – 1 vnt.
- Anglies šepetėliai – 2 vnt.
- Dėžė transportui – 1 vnt.
- Aptarnavimo instrukcija – 1 vnt.
- Garantinis lapas – 1 vnt.

■ Prietaiso dalis

Prietaiso dalių numeracija atitinka grafinėms piešiniams 2-3 puslapiuose aptarnavimo instrukcijos:

- Pav. A**
1. Patronas darbo įrankiams SDS-plus
 2. Gaubtas, saugantis nuo dulkių
 3. Fiksavimo mova
 4. Gręžimo gylio ribotuvas
 5. Gręžimo gylio ribotuvo tvirtinimo sriegis
 6. Mygtukas, paleidžiantis darbo režimų jungiklio blokadą
 7. Darbo režimų jungiklis
 8. Pagrindinė rankena su neslidžiu antdėklu
 9. Paleidimo jungiklis
 10. Maitinimo įjungimo LED indikatorius
 11. Maitinimo laidas
 12. Papildoma rankena
- Pav. C**
13. Dantytojo gręžimo patrono saugos sriegis*
 14. Dantytas gręžimo patronas*
 15. Tvirtinimo strypas SDS-plus gręžimo patronui*

Pav. F 16. Dantytojo gręžimo patrono raktas*

Pav. H 17. Guminis žiedas dulkiems surinkti

*Pavaizduoti ar aprašyti priedai į tiekiamą standartinį komplektą neįeina.

TECHNINIAI DUOMENYS:

Maitinimo įtampa	230 V-240 V
Maitinimo dažnis	50 Hz
Sunaudojamas pajėgumas	1250 W
Apsukimų greitis be apkrovos	0-850 /min
Smūgių skaičius / smūgio energija	0-4500 min ⁻¹ / 5 J
Patronas įrankiams	SDS-plus
Maksimalus gręžimo skersmuo	plienas - 13 mm
	betonas - 30 mm
	mediena - 40 mm

Masė (be papildomos įrangos)	5,0 kg	
Prietaiso klasė	II/II	
Apsaugos laipsnis	IP20	
Akustinio slėgio lygis LpA (±3dB(A))	90,9 dB(A)	
Akustinio pajėgumo lygis LwA (±3dB(A))	101,9 dB(A)	
Vibracijos lygis pagal normą:	EN 60745-2-6	
- gręžimas betone a _{h,ISO}	pagrindinė rankena	13,59 m/s ²
	pagalbinė rankena	11,265 m/s ²
- kalimas a _{h,Chex}	pagrindinė rankena	14,30 m/s ²
	pagalbinė rankena	14,501 m/s ²
- matavimo paklaida		1,5 m/s ²

Pateiktas virpesių lygis yra reprezentatyvus pagrindiniams prietaiso panaudojimams. Jeigu elektros prietaisas bus panaudotas kitiems tikslams arba su kitais papildomais darbo įrankiais bei jeigu nebus tinkamai prižiūrimas, virpesių lygis gali skirtis.

Pateiktos aukščiausi priežastys gali padidinti vibracijų lygį darbo metu. Būtina naudoti papildomas priemones, saugančias naudotoją nuo vibracijų pasekmių, pav.: prietaiso ir darbo įrankių priežiūra, veiksmų eilės nustatymas.

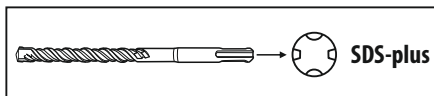
PRIEŠPRAEDANT DARBĄ:

1. Įsitikinkite, kad elektros maitinimo šaltinio parametrai atitinka grąžto perforatoriaus parametrus, nurodytus prietaiso firminėje lentelėje.
2. Įsitikinkite, kad grąžto perforatoriaus jungiklis (9) yra pozicijoje „išjungtas“.
3. Naudoti papildomą rankeną (12). Darbo metu laikyti prietaisą abiem rankomis, tai sumažins nelaimingų atsitikimų riziką. Pagalbinė rankena tvirtinama perdant jos apkabą per laikiklį ir blokuojama užsukant rankenėlę pagal laikrodžio rodyklę.
Kad būtų galima užimti nevarginančią bei stabilią darbo poziciją, galima išstumti papildomą rankeną. Pasukus rankenėlę priešinga laikrodžio rodyklės kryptimi, išlenkite pagalbinę rankeną iki reikiamos padėties ir vėl užveržkite rankenėlę (pav. B).
4. Jeigu naudojamas prailgintuvas, būtina įsitikinti, kad jo parametrai, laidų skersmuo atitinka grąžto perforatoriaus parametrus. Patarinama naudoti kuo trumpesnius prailgintuvus. Prailgintuvus turi būti išvyniotas visame ilgyje.

APTARNAVIMAS:

■ Grąžto parinkimas

Smūginiam gręžimui betone, plytose ir akmenyje reikalingas SDS-plus įrankis, kurį reikia įdėti į SDS-plus įrankių patroną (1).



Gręžimui pliene arba medienoje naudojami įrankiai be SDS-plus (pav. grąžtai su cilindrinio strypu). Šiems įrankiams reikalingi yra dantytieji gręžimo patronai arba greito užveržimo.

NURODYMAS: Smūginiam gręžimui arba kalimui nenaudokite įrankių be SDS-plus! Įrankiai be SDS-plus ir jų gręžimo laikiklis smūginio gręžimo arba kalimo metu gali sugesti.

■ Dantytojo gręžimo patrono montavomas (pav. C)

• Įsukite tvirtinimo strypą SDS-plus (15) į dantytojų gręžimo patroną (14).

• Užfiksukite dantytojų gręžimo patroną (14) specialiai tam skirtu sriegiu (13).

DĖMESIO: Turėkite omenyje, kad varžtas yra kairinis.

• Išvalyti įrankio tvirtinimo strypo antgalį ir patepti ličio tepalu.

• Patraukite fiksavimo movą (3) iki maksimalios galinės padėties ir prilaikykite šioje padėtyje.

• Sukdami gręžimo laikiklį, įstumkite SDS-plus įrankio tvirtinimo strypą (1) į laikiklį.

• Atlaisvinkite fiksavimo movą.

• Užveržimą patikrinti patraukiant už dantytojų gręžimo patroną.

■ Dantytojo gręžimo patrono demontavimas (pav. D)

• Fiksavimo movą (3) pastumkite iki galo ir nuimkite dantytojų gręžimo patroną (14).

• Nuimtą dantytojų gręžimo patroną (14) laikyti švariui. Jeigu reikia, galima patepti jį dantis.

■ Įrankių keitimas

SDS-plus įrankio patrono dėka galima lengvai ir patogiai keisti darbo įrankį be papildomų įrankių naudojimo.

SDS-plus įrankis juda laisvai. Todėl darbo tuščiosios eigos greičiu yra palankias. Šis faktas neturi jokio poveikio tiksliam gręžiamos angos atlikimui.

Dulkių gaubtas (2) saugo nuo dulkių įsiskverbimo į prietaiso vidų. Įdedant įrankį atkreipkite dėmesį į tai ž, kad nepažeisti dulkių gaubto (2).

Pažeistą dulkių gaubtą būtina nedelsiant pakeisti. Rekomenduojame atlikti tai serviso punkte.

■ Darbo įrankio SDS-plus tvirtinimas (pav. E)

• Tvirtinamo įrankio antgalį būtina išvalyti ir patepti ličio tepalu.

• Patraukite fiksavimo movą (3) iki maksimalios galinės padėties ir prilaikykite šioje padėtyje.

• Įdedami įrankius į laikiklį sukite jį, kol pajusite pasipriešinimą.

• Atlaisvinkite fiksavimo movą (3).

• Užveržimą patikrinti patraukiant įrankį.

■ Darbo įrankio SDS-plus išėmimas (pav. E)

DĖMESIO: Po darbo pabaigos darbo įrankiai gali būti karšti. Venkite kontakto su jais ir naudokite tinkamas apsaugines pirštines.

• Užveržimo movą (3) pastumti iki galo ir išimti įrankį.


• Darbo įrankį išvalykite.

■ Darbo įrankių be SDS-plus tvirtinimas (pav. F)

• Uždėti dantytojų gręžimo patroną (14).

• Sukdami įvorę, atidarykite dantytojų gręžimo laikiklį, kol galėsite įdėti darbinį įrankį. Įdėkite darbinį įrankį.

• Į atitinkamas dantytojo laikiklio angas įdėkite raktą (16) ir užtvirtinkite darbinį įrankį.

• Perjungti jungiklį (7) į simbolį «Gręžimas» - .

■ Darbo įrankių be SDS-plus išėmimas (pav. F)



DĖMESIO: Po darbo pabaigos darbo įrankiai gali būti karšti. Venkite kontakto su jais ir naudokite tinkamas apsaugines pirštines.

• Gręžimo patrono raktu (16) sukti išorinį dantytojo gręžimo patrono

žiedą (14) prieš laikrodžio rodyklės iki tol, kol galima bus ištraukti darbo įrankį.

• Darbo įrankius išvalyti.

■ Darbo režimo keitimas




DĖMESIO:

Darbo režimus keisti tik, kai prietaisas yra išjungtas! Kitu atveju elektros prietaisas gali sugesti.


Naudojant darbo režimo jungiklį (7) galima pasirinkti reikiamą darbo režimą.

Norėdami pakeisti darbo režimą, paspauskite blokados nuėmimo mygtuką (6) ir perjunkite darbo režimo jungiklį į norimą padėtį iki tol, kol pasigirs pejujimo garsas.


Gręžimas:

Pejujunkte jungiklį (7) į simbolį - .

Smūginis gręžimas:

Pejujunkte jungiklį (7) į simbolį - .

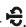
Kalimas (apsukų blokavimas):

Jungiklį perjunkite (7) ties simbolio - .

Kai įrankis įjungiamas padėtyje «Kalimas», smūgių skaičius automatiškai didinamas; dėka to įrankis kalimo metu dirba didesne galia.

Kalto padėties keitimas:

Kaltą įdėkite į įrankių laikiklį.

Darbo režimo mygtuką (7) pasukite iki padėties - .

Apsukite įrankių laikiklį, nustatydami kaltą reikiamoje darbinėje padėtyje.

Darbo režimo mygtuką (7) nustatykite padėtyje «Kalimas». Įrankių laikiklis užsiblokuoja.

Darbo režimo mygtukas (7) kalimo metu turi visą laiką būti nustatytas padėtyje «Kalimas».

■ Gręžimo gylio nustatymas (pav. B)

Gręžimo gilio ribotuvu (4) galima nustatyti reikalingą gręžimo giliį X. Tam atlikti reikia:

• Įdėti darbo įrankio strypą SDS-plus į patroną (1) ir pastumti iki galo. Nestabilus SDS-plus įrankis gali būti netinkamo gręžimo gylio nustatymo priežastimi;

• Paleisti gylio ribotuvo tvirtinimo sriegį (4) ir ištraukti gylio ribotuvą taip, kad atstumas tarp grąžto galo ir gylio ribotuvo galo atitiktų norimam gręžimo gyliui X;

• Užfiksuoti gylio ribotuvą, užsukant užveržimo sriegį.

■ Įjungimas / išjungimas

Norėdami paleisti elektros prietaisą paspauskite jungiklį (9) ir laikykite jį paspausta.

Norėdami išjungti elektros prietaisą atlaisvinkite jungiklį (9).

■ Apsukimų greičio / smūgių skaičiaus reguliavimas

Apsukimų greitis / smūgių skaičius sklandžiai reguliuojamas didinant arba mažinant jungiklio (9) spaudimą.

Lengvas jungiklio (9) spaudimas duoda nedidelį apskukimų greitį / smūgių kiekį.

Apsukimų greitis / smūgių kiekis didinamas stipriau spaudžiant jungiklį.

■ Perkrovos mova

Įrankio užstrigimo arba užsiblokavimo atveju nutraukiamas veleno

pavaros darbas. Elektrinį įrankį laikykite suėmę abejomis rankomis ir patikimai stovėkite, kad atlaikyti veikiančias jėgas.

Elektrinio įrankio užsiblokavimo atveju, išjunkite jį ir atlaisvinkite darbinį įrankį. Užsiblokavusio perforatoriaus-gręžtuvo įjungimo metu gali įvykti atatranka.

■ LED indikatorius

Žalias LED maitinimo įjungimo indikatorius (10) dega, kai įrankis yra prijungtas prie elektros maitinimo. Jei indikatorius šviečia, bet įrankis neįsijungia reiškia tai, kad anglies šepečiai susidėvėjo arba elektros grandinė, arba variklis sugedo.

Jei maitinimo įjungimo indikatorius (10) nešviečia, o įrankis įsijungia, tai jungiklis arba maitinimo laidas gali būti pažeisti.

■ Amortizuota pagrindinė rankena

Pagrindinės rankenos (8) amortizatoriai absorbuoja vibracijas. Šiuo būdų pagerintas naudojimo komfortą.

DARBAS:

- Norėdami gręžti angas keramikos plytelėse perjunkite darbo režimo jungiklį (7) į padėtį „gręžimas“. Po to, kai skylė bus padaryta, perjunkite jungiklį į padėtį „smūginis gręžimas“ ir dirbkite toliau smūginio gręžimo režimu.
- Dirbant su betonu, akmeniu plytomis naudokite kieto lydinio gręžtuvą.
- Gręžiant skylės lubose, apsaugai nuo krentančių dulkių naudokite apsauginį guminį žiedą (17), kuris uždedamas ant gręžtuvo (žiūrėkite pav. H).
- Metalui naudokite tik gręžtuvus skirtus metalui.

LAIKYMAS IR PRIEŽIŪRA:

Prietaisą laikykite vietoje nepasiekiamoje vaikams; prietaisas turi būti švarus bei saugomas nuo dulkių ir drėgmės. Laikymo sąlygos turi užtikrinti saugumą nuo mechaninių pažeidimų bei oro sąlygų poveikio. Išorinės plastikinės dalis valyti drėgnu skuduru ir švelniu valikliu.

DĖMESIO: DRAUDŽIAMA naudoti tirpiklius.

Po gręžimo betone, kai susidaro daug dulkių, rekomenduojama prapusti ventiliacines angas ir įrankių laikiklį suslėgtu oru (slėgis ne didesnis nei 0,3MPa). Tokiu būdu bus saugomi guoliai, pašalintos dulksės, kurios gali blokuoti variklį.

Techninės priežiūros darbai taip pat apima pavaros mechanizmo tepalo keitimą. Tepalą keiskite kas 40-50 darbo valandas.

Tepalas turi būti keičiamas techninio aptarnavimo centre arba kvalifikuotu specialistu.

TRANSPORTAS:

Grąžtą perforatoriaus transportuokite ir laikykite specialiai tam skirtoje dėžėje, saugančioje nuo drėgmės, dulkių ir smulkių objektų įsiskverbimo, ypač saugokite ventiliacines angas. Smulkūs elementai,

patenkantis į korpusą gali pažeisti variklį.

TIPIŠKI GEDIMAI IR JŲ ŠALINIMAS:

Perforatorius-gręžtuvas neveikia:

- patikrinkite ar maitinimo laidas yra tinkamai prijungtas; patikrinkite ar elektros lizde yra įtampa.

Perforatorius-gręžtuvas «blokuojasi» arba kibirkščiuoja:

- patikrinkite anglies šepečėlių būklę ir pagal poreikį pakeiskite.

DĖMESIO! Anglies šepečėlių keitimą gali atlikti tik elektrikas.

- jeigu elektros prietaisas neveikia nepaisant to, kad turi elektros maitinimą, o jo anglies šepečėliai yra geros būklės, būtinai nuvežkite prietaisą į serviso punktą adresu nurodytu garantiniame lape.

GAMINTOJAS:

PROFIX Sp. z o.o.,
Marywilska 34,
03-228 Varšuva, Lenkija

APLINKOS APSAUGA:



DĖMESIO: Pateiktas simbolis reiškia, kad panaudotus prietaisus draudžiama išmesti kartu su kitomis atliekomis (už pažeidimą gresia piniginė bauda). Panaudoti elektros prietaisai bei elektroninės dalis ir komponentai turi neigiamą poveikį aplinkai ir žmonių sveikatai.

Namų ūkis turėtų prisidėti prie panaudotos įrangos utilizavimo bei pakartotinio medžiagų panaudojimo (perdirbimo). Lenkijoje ir Europoje yra kuriama arba jau veikia panaudotos įrangos surinkimo sistema. Todėl visi paminėtos įrangos pardavimo taškai yra įpareigoti priimti panaudotą įrangą. Be to yra specialūs panaudotos įrangos priėmimo taškai.

PIKTOGRAMAI:

Paveikslėlių esančių prietaiso firminėje lentelėje ir informaciniuose lipdukuose paaiškinimas:



«Prieš įjungdami perskaitykite naudojimo instrukciją!»



«Visada dėvėkite apsauginius akinius!»



«Naudokite klausos apsaugos priemones!»



«Naudokite dulkių kaukę!»



PROFIX įmonė siekia tobulinti savo produktus, todėl gali keistis produktų specifikacijos. Apie šiuos pasikeitimus įmonė nėra įpareigota nepranešti. Paveikslėliai esantis aptarnavimo instrukcijoje tai tik pavyzdžiai bei gali skirtis nuo nusipirkto prietaiso.

Ši instrukcija yra apsaugojama autoriaus teise. Kopijavimas/plėtojimas be PROFIX Sp. z o.o. leidimo raštu draudžiamas.



PŘED ZAHÁJENÍM POUŽÍVÁNÍ SE SEZNAMTE S TÍMTO NÁVODEM.

Uchovávejte návod pro případné další použití.



POZOR! Přečtěte si všechny výstrahy týkající se bezpečnosti používání označené symbolem ⚠ a veškeré pokyny týkající se bezpečnosti používání.

Nedodržování uvedených bezpečnostních výstrah a bezpečnostních pokynů může být příčinou zásahu elektrickým proudem, požáru a/nebo závažných úrazů.

Uchovejte výstrahy a pokyny týkající se bezpečnosti pro případné použití v budoucnosti.

V níže uváděných výstrahách pojem „elektronářadí“ znamená elektronářadí napájené z elektrické sítě (elektrickým vodičem) nebo elektronářadí napájené baterií (bezdrátově).



VÝSTRAHA! Všeobecné výstrahy týkající se bezpečného používání nářadí.

Bezpečnost na pracovišti:

- a) Udržujte na pracovišti pořádek a zajistěte zde dobré osvětlení. Nepořádek a špatné osvětlení často zapříčiňují nehody.
- b) **Nepoužívejte elektronářadí ve výbušném prostředí tvořeném hořlavými tekutinami, plyny nebo prachem.** Elektronářadí vytváří jiskry, které by mohly zapálit prach nebo výparu.
- c) **Nepouštějte děti ani jiné pozorovatele na místa, kde se používá elektronářadí.** Rušení pozornosti může způsobit ztrátu kontroly nad elektronářadím.



VÝSTRAHA! Všeobecné výstrahy týkající se bezpečného používání nářadí.

Elektrická bezpečnost:

- a) **Zástrčky nářadí musí odpovídat zásuvkám. Nikdy žádným způsobem nepředělávejte zástrčky. V případě elektronářadí, které má vodič s ochranným uzemněním, nepoužívejte žádné prodlužovačky.** Původní nepředělané zástrčky a zásuvky snižují riziko zásahu elektrickým proudem.
- b) **Vyvarujte se dotýkání uzemněných ploch nebo takových, které jsou spojené s hmotou, jako jsou trubky, ohřívače, radiátory ústředního topení a chladničky. V případě dotýkání takových ploch a předmětů roste riziko zásahu elektrickým proudem.**
- c) **Nevystavujte elektronářadí na působení deště nebo vlhka.** Pokud by se do elektronářadí dostala voda, roste riziko zásahu elektrickým proudem.
- d) **Kabely se nesmí žádným způsobem namáhat. Nikdy nepoužívejte kabel k nošení, tažení elektronářadí nebo k vytahování zástrčky ze zásuvky. Kabel musí být umístěn daleko od zdrojů tepla, oleje, ostrých hran nebo pohyblivých částí. Poškozené nebo propletené kabely zvyšují riziko zásahu elektrickým proudem.**
- e) **V případě, že se elektronářadí používá venku, je třeba prodlužovat elektrické kabely prodlužovací určenými na práci venku. Používání prodlužovace určeného do venkovního prostředí snižuje riziko zásahu elektrickým proudem.**
- f) **Doporučuje se připojení zařízení k elektrické síti vybavené**

proudovým chráničem (RCD) s vypínacím proudem 30mA nebo menším.

- g) **Pokud je nezbytné použití elektronářadí ve vlhkém prostředí, je třeba použít jako ochranu proudový chránič (RCD).** Použití RCD snižuje riziko zásahu elektrickým proudem.



VÝSTRAHA! Všeobecné výstrahy týkající se bezpečného používání nářadí.

Osobní bezpečnost:

- a) **Toto zařízení nesmí používat osoby (včetně dětí) s omezenou fyzickou, smyslovou nebo psychickou schopností, nebo osoby, které nemají odpovídající zkušenosti nebo znalosti zařízení, leda že je používají s příslušným dozorem, nebo v souladu s návodem na používání zařízení, který jim předají osoby zodpovědné za jejich bezpečnost.**
- b) **Při používání elektronářadí je třeba být předvídavý, pozorovat, co se děje, a používat zdravý rozum. Nepoužívejte elektronářadí, pokud jste unaveni nebo pod vlivem drog, alkoholu nebo léků. Chvilte nepozornosti při práci s elektronářadím může způsobit závažné osobní úrazy.**
- c) **Je třeba používat osobní ochranné prostředky. Je třeba vždy používat ochranné brýle. Používání v příslušných podmínkách takových ochranných prostředků, jako je protiprachová respirační maska, protiskluzová obuv, přílba nebo chrániče sluchu, snižuje nebezpečí osobních úrazů.**
- d) **Je třeba se vyhnout neplánovaného spuštění. Před připojením k elektrickému zdroji a/nebo před zapojením baterie a než se nářadí zvedne, nebo přeneše, je třeba se ujistit, že je vypínač elektronářadí v poloze vypnuto. Přenášení elektronářadí s prstem na vypínači nebo připojení elektronářadí do sítě se zapojeným vypínačem může být příčinou nehody.**
- e) **Před spuštěním elektronářadí je třeba odstranit všechny klíče. Ponechání klíče v otáčející se části elektronářadí může způsobit poranění.**
- f) **Je zakázáno přilížit se naklánět. Po celou dobu musíte stát pevně a udržovat rovnováhu. Umožní Vám to dobře kontrolovat elektronářadí při nepředvídatelných situacích.**
- g) **Je třeba mít vhodné oblečení. Při práci nenoste volné oblečení ani bižuterii. Je třeba zajistit, aby Vaše vlasy, oblečení a rukavice byly v bezpečné vzdálenosti od pohyblivých částí. Volné oblečení, bižuterie nebo dlouhé vlasy se mohou zachytit do pohyblivých částí.**
- h) **Pokud je zařízení přizpůsobeno na napojení k vnějšímu odsávání prachu a pohlčovači prachu, ujistěte se, že jsou připojeny a řádně se používají. Použitím pohlčovačů prachu můžete omezit nebezpečí závislé na prašnosti.**



VÝSTRAHA! Všeobecné výstrahy týkající se bezpečného používání nářadí.

Používání elektronářadí péče o ně:

- a) **Elektronářadí se nesmí přetěžovat. Je třeba používat elektronářadí s výkonem vhodným pro provádění určité práce. Správné elektronářadí umožní lepší a bezpečnější práci se zátěží, na kterou bylo naprojektováno.**

- b) Elektronářadí, u kterých nefunguje spínač, se nesmí používat. Každé elektronářadí, které nelze zapínat nebo vypínat spínačem, je nebezpečné a je třeba je opravit.
- c) Před provedením každého seřízení, výměny součástky nebo před skladováním odpojte zástrčku elektronářadí od zdroje elektrického proudu a/nebo odpojte baterii. Takový bezpečnostní postup omezuje riziko náhodného spuštění elektronářadí.
- d) Nepoužívané elektronářadí uchovávejte mimo dosah dětí a nedovolte přístup osobám, které nejsou obeznámené s elektronářadím nebo s tímto návodem na používání elektronářadí. Elektronářadí může být nebezpečné v rukách nevyškolených uživatelů.
- e) Elektronářadí je třeba udržovat. Je třeba kontrolovat souost souoset mo zaseknutí pohyblivých částí, praskliny souoset a veškeré další faktory, které by mohly ovlivnit činnost elektronářadí. Pokud zjistíte poškození, musíte elektronářadí před použitím opravit. Příčinou mnohých nehod je neodborná údržba elektronářadí.
- f) Řezací nástroje musí být ostré a čisté. Řádná údržba ostrých hran řezacích nástrojů snižuje pravděpodobnost zaseknutí a usnadňuje obsluhu.
- g) Elektronářadí, vybavení, pracovní nástroje apod. používejte v souladu s tímto návodem, při čemž zohledňujete pracovní podmínky a druh prováděné práce. Používání jiným způsobem, pro který není elektronářadí určeno, může způsobit nebezpečné situace.
- h) V nízkých teplotách, nebo pokud se nářadí po delší dobu nepoužívá, doporučuje se zapnout elektronářadí bez zátěže po dobu několika minut za účelem řádného promazání mechanismu pohonu.
- i) K čištění elektronářadí používejte měkký, vlhký (ne mokrý) hadřík a mýdlo. Nepoužívejte benzín, rozpouštědla a další prostředky, které by mohly poškodit zařízení.
- j) Elektronářadí je třeba skladovat / dopravovat až potom, co se ujistíte, že jsou veškeré jeho pohyblivé součásti zablokované a zajištěné proti odblokování s použitím původních součástek určených k tomuto účelu.
- k) Elektronářadí skladujte na suchém místě chráněném proti prachu a průniku vlhkosti.
- l) Doprava elektronářadí by měla probíhat v původním obalu tak, aby bylo chráněné proti mechanickému použití.



VÝSTRAHA! Všeobecné výstrahy týkající se používání nářadí.

Oprava:

- a) Záruční a pozáruční opravy svého elektronářadí provádí Servis PROFIX, což zaručuje nejvyšší kvalitu oprav a používání původní náhradních dílů.



VÝSTRAHA! VRTACÍ KLADIVO, výstrahy týkající se bezpečnosti –

Osobní bezpečnost:

- a) Při práci s vrtacím kladivem používejte chrániče sluchu. Vystavení se nadměrnému hluku může způsobit ztrátu sluchu.
- b) Během provádění prací, při nichž by mohl pracovní nástroj

narazit na skryté elektrické vedení nebo na vlastní napájecí vodič, držte elektronářadí za izolované plochy držáku. Styk s elektrickým vedením může způsobit předání napětí na kovové součástky elektronářadí, což by mohlo v důsledku způsobit úraz elektrickým proudem.

- c) Používejte vhodné vyhledávací nástroje na zjištění skrytých elektrických vedení, nebo požádejte o pomoc správce budovy. Styk s vedením, které je pod napětím, může vést k vzniku požáru nebo k úrazu elektrickým proudem. Poškození plynového potrubí může způsobit výbuch. Průnik do vodovodního potrubí způsobí věcné škody.
- d) **Nepracovávajíte materiál obsahující azbest.** Azbest způsobuje onemocnění nádorovou nemocí.
- e) **Udržujte pracoviště čisté.** Obzvlášť nebezpečné bývají směsi materiálů. Prach z lehkého kovu se může vznítit nebo vybuchnout.
- f) **Předmět, který zpracováváte, je třeba zajistit.** Ujistěte se, zda jsou všechny upevňující svěrky stažené a zkontrolovány, jestli není uchycení volné. Upevnění obráběného předmětu v držáku nebo svěráku je bezpečnější než jeho držení rukou.
- g) **Používejte elektronářadí s přidavnými držáky, které jsou součástí dodávky.** Ztráta kontroly může způsobit zranění obsluhy.
- h) **Elektronářadí je třeba při práci pořádně držet oběma rukama za hlavní držák a pomocný držák a udržovat stabilní postoj.** Je vhodné z bezpečnostních důvodů vést elektronářadí v obou rukách.
- i) **Pokud by se nástroj zasekl, je třeba elektronářadí okamžitě vypnout.** Musíte být v takové situaci připraveni na vysoké vibrace, které způsobí zpětný ráz. Nástroj se může zaseknout, když je elektronářadí přetížené nebo když se v obráběném předmětu zkrví.
- j) **Při pracovní přestávce, během výměny nástrojů, oprav, čištění nebo nastavování je třeba zařízení odpojit od přívodu elektrického proudu.** Dříve, než elektronářadí odložíte, počkejte, až se zcela zastaví. Pracovní nástroj se může zaseknout, což může způsobit ztrátu kontroly nad nářadím.
- k) **Nepoužívejte elektronářadí s poškozeným vodičem napájení.** Nedotýkejte se poškozeného vodiče; v případě, že dojde k poškození vodiče během práce, vytáhněte zástrčku ze zásuvky. Poškozené vodiče zvyšují riziko zásahu elektrickým proudem.
- l) **Pokud je vodič napájení elektronářadí poškozený, musí se v servisu vyměnit za bezvadný.**

URČENÍ A STAVBA VRTACÍHO KLADIVA:

Vrtací kladivo je určeno k úderovému vrtání otvorů v betonu, cihlách, kamenech a ke snadnějším pracím spojeným s vysekáváním. Je možné ji používat také k vrtání bez úderů ve dřevě, kovech, keramice a umělé hmotě.

Přísně se zakazuje používat nástroj k jakýmkoliv jiným účelům.

Vrtací kladivo je poháněno svisle umístěným jednofázovým kartáčovým motorem.

Nářadí není určeno k dlouhodobé práci v těžkých podmínkách. Je zakázáno používat je k práci, kde je nutné použít profesionálního nářadí.

Každé použití zařízení jinak, než to vyplývá z jeho výše uvedeného určení, je zakázané, způsobuje ztrátu záruky a oslovuje výrobce od

odpovědnosti za takto způsobené škody.

Jakékoliv úpravy zařízení prováděné uživatelem osvobozuje výrobce od odpovědnosti za poškození a škody způsobené uživateli a v okolí.

Správné používání elektronářadí se týká také údržby, skladování, dopravy a oprav.

Elektronářadí mohou opravovat pouze servisní opravny určené výrobcem. Zařízení, které je napájeno ze sítě, by měly opravovat pouze osoby, které jsou k tomuto oprávněny.

I při používání nářadí v souladu s jeho určením nelze zcela eliminovat určité rizikové faktory. Vzhledem ke konstrukci a stavbě stroje se mohou vyskytnout následující ohrožení:

- Dotek během práce otáčejícího se pracovního nástroje rukou nebo oděvem obsluhy, vodičem napájení.
- Popálení při výměně pracovního nástroje. (Během práce dochází k silnému zahřátí pracovního nástroje, pro zamezení popálení při jeho výměně použijte ochranné rukavice);
- Zpětný ráz zpracovávaného předmětu nebo jeho části.
- Zkřivení / zlomení pracovního nástroje.

■ **Kompletace**

- Vrtací kladivo – 1 ks.
- Pomocný držák – 1 ks.
- Omezovač hloubky vrtání – 1 ks.
- Ploché dláto – 1 ks.
- Špičák – 1 ks.
- Vrutý SDS-plus – 3 ks. (8,10, 12 mm)
- Gumový prstenec na sbírání prachu – 1 ks.
- Uhlíkové kartáče – 2 ks.
- Transportní kufřík – 1 ks.
- Návod na obsluhu – 1 ks.
- Záruční list – 1 ks.

■ **Součástí zařízení**

Číslování prvků zařízení se týká grafického znázornění, které je umístěno v návodu k použití na stránkách 2-3:

Obr. A 1. Sklíčidlo k upínání nástroje SDS-plus

2. Protiprachová clona
3. Objímka zajištění zástrčky
4. Omezovač hloubky vrtání
5. Šroub upevňování omezovače hloubky vrtání
6. Blokace přepínače druhu práce
7. Přepínač druhu práce
8. Hlavní rukojeť s protiskluzovým obložением
9. Vypínač
10. Kontrolka zapnutí přívodu elektrického proudu
11. Kabel napájení
12. Pomocná rukojeť

Obr. C 13. Šroub zabezpečující vrtací úchyt s ozubeným vřecem*

14. Vrtací úchyt s ozubeným vřecem*
15. Upevňovací čep SDS-plus do vrtacího úchytu*

Obr. F 16. Klíč na vrtací úchyt s ozubeným vřecem*

Obr. H 17. Gumový prstenec na sbírání prachu

* Popsané nebo představené vybavení nepatří jako celek ke standardní výbavě elektronářadí.

TECHNICKÉ ÚDAJE:

Jmenovité napětí	230 V-240 V
Jmenovitý kmitočet	50 Hz
Odebíraný výkon	1250 W
Rychlost otáček bez zátěže	0-850 /min
Množství úderů / energie úderů	0-4500 min ⁻¹ / 5 J
Sklíčidlo k upínání nástroje	SDS-plus
Maximální průměr vrtání	ocel - 13 mm
	beton - 30 mm
	dřevo - 40 mm
Hmotnost (bez příslušenství)	5,0 kg
Třída zařízení	II/II
Stupeň ochrany	IP20
Hladina akustického tlaku LpA (±3dB(A))	90,9 dB(A)
Hladina akustického výkonu LwA (±3dB(A))	101,9 dB(A)
Úroveň vibrací podle normy:	EN 60745-2-6
- vrtání s příklepem do betonu a _{h,HD}	hlavní rukojeť 13,59 m/s ²
	pomocná rukojeť 11,265 m/s ²
- vysekávání a _{h,Chet}	hlavní rukojeť 14,30 m/s ²
	pomocná rukojeť 14,501 m/s ²
- tolerance měření	1,5 m/s ²

Uvedená úroveň vibrací platí pro základní použití elektronářadí. Pokud by bylo elektronářadí použito jinak nebo s jinými pracovními nástroji, a také pokud nebude prováděna dostatečná údržba, úroveň vibrací se může lišit od uvedené. Výše uvedené důvody mohou způsobit zvýšení vystavení vibracím během celé doby práce.

Je třeba uplatnit další bezpečnostní prostředky, jejichž účelem je ochrana obsluhy pily proti důsledkům vystavení vibracím, např.: údržbu elektronářadí a pracovních nástrojů, zajištění vhodné teploty rukou, určení pořadí pracovních úkonů.

PŘED ZAČÁTKEM PRÁCE:

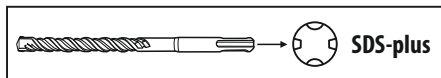
1. Ujistěte se, že zdroj elektrické energie má parametry shodné s parametry uvedenými na výrobním štítku.
2. Ujistěte se, že vypínač zařízení (9) je v poloze vypnuto.
3. Vždy používejte pomocnou rukojeť (12). Pevné držení nářadí ve dvou rukách omezi riziko vzniku pracovního úrazu. Pomocná rukojeť se upevňuje přeložením objímky rukojeti přes rukojeť vrtací a blokuje se dotažením úchytu ve směru hodinových ručiček. Aby bylo možné zaujmout stabilní a neunavující polohu při práci, je možné pomocnou rukojeť vytočit libovolně do stran. Po přetočení úchytu proti směru hodinových ručiček je třeba vytočit pomocnou rukojeť do požadované polohy a zpět dotáhnout úchyt, aby byla rukojeť upevněná (obr. B).
4. V případě, že pracujete s prodlužovačkou, ujistěte se, že její parametry a průměry kabelů odpovídají parametrům zařízení. Doporučujeme použití co nejkratší prodlužovačky. Prodlužovačka by měla být zcela rozvinutá.

PŘI PRÁCI:

■ **Volba vrtáku**

Pro nárazové vrtání v betonu, cihlách, kamenech a v případě práce

sekáčem jsou potřebné nástroje SDS-plus, které se upevňuje do sklíčidla SDS-plus (1).



Pro vrtání do oceli nebo dřeva se používá nářadí bez SDS-plus (např. vrtáky s cylindrickým čepem). Pro tyto nářadí jsou potřebné rychlosvorkové vrtací úchyty nebo úchyty s ozubeným věncem.

Pokyny: Nepoužívejte nářadí bez SDS-plus na úderové vrtání nebo práci se sekáčem! Nářadí bez SDS-plus a jeho vrtací úchyty se tímto použitím zničí.

■ Montáž vrtacího úchytu s ozubeným věncem (obr. C)

- Zašroubujte upevňovací čep SDS-plus (15) do vrtacího úchytu s ozubeným věncem (14).
- Zabezpečte vrtací úchyt s ozubeným věncem (14) pomocí zabezpečovacího šroubu (13).

POZOR: Je třeba pamatovat, že zabezpečovací šroub má levootáčivý závit.

- Očistěte vkládaný konec upevňovacího čepu a lehce jej namažte lithiovým mazivem.
- Potáhněte zajišťovací objímku (3) maximálně dozadu a přidržte ji v této poloze.
- Otáčením vrtacího úchytu vsuňte upevňovací čep do úchytu nářadí SDS-plus (1) až nadoraz.
- Uvolněte zajišťovací objímku.
- Zkontrolujte blokaci popotažením za vrtací úchyt s ozubeným věncem.

■ Demontáž vrtacího úchytu s ozubeným věncem (obr. D)

- Přesuňte zajišťovací objímku (3) dozadu a sejměte vrtací úchyt s ozubeným věncem (14).
- Po demontáži chraňte výměnný vrtací úchyt s ozubeným věncem (14) před zašpiněním. V případě potřeby lehce namažte ozubení tmeňem.

■ Výměna nástrojů

Pomocí sklíčidla SDS-plus je možné snadno a pohodlně vyměnit pracovní nástroje bez použití dalšího nářadí.

Ze systémových příčin pracovní nástroj SDS-plus má volnost pohybu. Proto na volnoběhu se může vyskytovat kopání. Nemá to žádný vliv na přesnost vrtaného otvoru, protože vrták se během práce automaticky centruje.

Protiprašná clona (2) zamezuje během práce ve velké míře vniku prachu do úchytu nástrojů. Při usazování nástroje je třeba dávat pozor na to, aby se protiprašná clona (2) nepoškodila.

Poškozenou protiprašnou clonu je třeba ihned vyměnit. Doporučujeme provést výměnu v autorizovaném servisu.

■ Vkládání pracovního nástroje SDS-plus (obr. E)

- Vývod montovaného nástroje je třeba očistit a lehce namažat. Doporučujeme použít lithiové mazivo.
- Potáhněte zajišťovací objímku (3) maximálně dozadu a přidržte ji v této poloze.
- Přístrojově vybavení vkládejte do úchytu nářadí pootáčením až nadoraz.
- Uvolněte zajišťovací objímku.
- Upevnění zkontrolujte potáhnutím za nástroj.

■ Vytahování pracovního nástroje SDS-plus (rys. E)



POZOR: Ihned po skončení práce nástroj může být horký. Vyvarujte se bezprostředního kontaktu s nástroji a použijte ochranné rukavice.

- Přesuňte pouzdro pro západku (3) dozadu a vytáhněte nástroj.
- Pracovní nástroje po vyjmutí očistěte.

■ Vkládání pracovního nářadí bez SDS-plus (obr. F)

- Nasaďte vrtací úchyt s ozubeným věncem (14).
- Otevřete vrtací úchyt s ozubeným věncem pootáčením pouzdra tak, aby bylo možné vložit pracovní nářadí a vložte jej.
- Vložte klíč (16) do otvorů ve vrtacím úchytu s ozubeným věncem a stejnoměrně upevněte vrtací nářadí.
- Přepněte přepínač druhu práce (7) na symbol „Vrtání“ -

■ Vydávání pracovního nářadí bez SDS-plus (obr. F)



POZOR: Ihned po ukončení práce může být pracovní nářadí horké. Vyvarujte se bezprostředního kontaktu s nimi a použijte ochranné rukavice.

- Pomocí klíče na vrtací úchyt (16) otáčejte pouzdro vrtacího úchytu s ozubeným věncem (14) ve směru hodinových ručiček, až bude možné vytáhnout pracovní nářadí.
- Pracovní nástroje po vyjmutí očistěte.

■ Přepínání druhu práce (obr. G)



POZOR: Změny druhu práce je možné provádět pouze tehdy, když je elektronářadí vypnuté! V opačném případě můžete elektronářadí poškodit.

Pomocí přepínače druhu práce (7) můžete vybrat druh práce elektro-nářadím. Pro změnu druhu práce je třeba stisknout tlačítko blokace přepínače (6) a nastavit na přepínači požadovaný druh práce přetáčením, dokud neuslyšíte zvuk zářáčky.

Vrtání:

Nastavte přepínač (7) na symbol -

Vrtání s úderem:

Nastavte přepínač (7) na symbol -

Vysekávání (blokáda otáček):

Nastavte přepínač (7) na symbol -

V poloze „Vysekávání“ se při zapnutí automaticky zvýší množství úderů; díky tomu během vysekávání nářadí pracuje se zvětšenou silou.

Změna polohy dláta (obr. 4):

Vložte dláto do upínacího sklíčidla.

Přepínač druhu práce (7) otočte do polohy -

Otočte úchyt nářadí do požadované pracovní polohy.

Přepínač druhu práce (7) nastavte do polohy „Vysekávání“. Takto úchyt nářadí bude ve své poloze blokován.

Přepínač druhu práce (7) musí během vysekávání vždy zůstat v poloze „Vysekávání“.

PŘÍPRAVA:

■ Nastavení hloubky vrtání (obr. B)

Omezovačem hloubky vrtání (4) je možné nastavit požadovanou hloubku proniknutí vrtáku do materiálu X. Je proto třeba:

- Vložit čep pracovního nářadí SDS-plus do úchytu (1) a usadit ho na doraz. V opačném případě volné nářadí SDS-plus může zapříčinit nesprávné nastavení hloubky vrtání;

- Povolit upevňovací šroub omezovače hloubky vrtání (5) a vytáhnout omezovač (4) tak, aby vzdálenost mezi koncem vrtáku a koncem omezovače hloubky byla v požadované hloubce vrtání X;
- Zablokovat omezovač dotažením upevňovacího šroubu.

■ Zapínání/vypínání

- Za účelem zapnutí elektronářadí je třeba stlačit vypínač (9) a držet jej stlačený.
- Za účelem vypnutí elektronářadí je třeba povolit vypínač (9).

■ Seřízení rychlosti otáček / počtu příklepů

Zvýšením nebo snížením tlaku na vypínač (9) lze plynule nastavit rychlost otáček / počet příklepů.

Lehký tlak na vypínač (9) způsobuje nízkou rychlost otáček / počet příklepů.

Zvýšený tlak zvyšuje rychlost otáček / počet příklepů.

■ Spojka vypínající při přetížení

V případě, že se nářadí zasekne nebo vzpříčí, náhon do vířetene klavida bude přerušeno. Elektronářadí držíte vždy, kvůli silám, které se v této chvíli vyskytují; držte je pevně v obou rukách a zaujměte stabilní pracovní polohu.

V případě blokování elektronářadí je vypněte a uvolněte pracovní nástroj. Během zapínání blokování klavida se vyskytují momenty silného zpětného odrazu.

■ Kontrolka

Zelená kontrolka zapnutí přívodu elektrického proudu (10) se rozsvítí, pokud je zařízení připojeno k elektrické síti. Pokud se ukazatel rozsvítí, ale zařízení nezačne pracovat, mohou být opotřebené uhlíkové kartáče, anebo může být poškozený elektrický obvod nebo motor.

Pokud se ukazatel zapnutí proudu (10) nerozsvítí a zařízení se nespustí, může být poškozený vypínač nebo kabel přívodu elektrického proudu.

■ Hlavní tlumený držák

Tlumiče v hlavním držáku (8) pohlcují vibrace, aby se nepřenášely na uživatele. Tímto způsobem je zajištěno větší pohodlí pro uživatele.

POKYNY TYKAJÍCÍ SE PRÁCE:

- Pro vrtání otvorů v keramických dlaždicích je třeba přemístit přepínač pracovního režimu (7) do polohy «vrtání». Po vyvrtání otvoru v keramice je třeba přesunout přepínač pracovního režimu do polohy «vrtání s příklepem» a dále pracovat s příklepem.
- Při práci v betonu, kameni a zdivu používejte vrták z tvrdé slitiny.
- Při vrtání otvorů ve stropu používejte gumový prstenec na sbírání prachu (17), který se nasunuje na vrták (viz obr. H), abyste se zabezpečili před padajícím prachem.
- Na vrtání v kovu používejte pouze ostré vrtáky na kov.

UCHOVÁVÁNÍ A ÚDRŽBA:

Stroj je třeba skladovat v místě, které je dětem nepřístupné, udržovat jej v čistotě, chránit před vlhkem a zaprášením. Podmínky skladování by měly vylučovat možnost mechanického poškození a vliv povětrnostních podmínek.

Vnější plastové části se může očistit pomocí vlhkého hadříku a jemného čistícího prostředku.

POZOR: NIKDY nepoužívejte rozpouštědla.

Po vrtání do betonu nebo v jiném prašném prostředí doporučujeme profuknout stlačeným vzduchem (maximální tlak 0,3 MPa) ventilační

otvory i úchyty nástrojů. Zabrání to poškození ložisek a odstraní prach, který by mohl blokovat vzduch potřebný ke chlazení motoru.

K technickým úkonům na stroji patří také pravidelná výměna maziva v převodovém soukollu. Mazivo je třeba měnit po každých 40-50 hodinách práce.

Výměnu maziva provádějte pouze ve specializovaných servisech nebo pověřenou osobou, aby se zamezilo poškození stroje.

DOPRAVA:

Vrtací klavido dopravujte a skladujte v transportním kufříku, který chrání před vlhkem, prachem a drobnými objekty, zvláště je třeba zabezpečit ventilační otvory. Drobné části, které proniknou dovnitř krytu, můžou poškodit motor.

TYPICKÉ ZÁVADY A JEJICH ODSTRANĚNÍ:

Vrtací klavido nefunguje:

- zkontrolujte, zda je stroj správně připojeno a zkontrolujte pojistky.

Vrtací klavido «přerušuje chod» anebo jiskří:

- zkontrolujte uhlíkové kartáče, v případě potřeby je vyměňte.

POZOR! Výměnu uhlíkových kartáčků může provádět pouze oprávněný elektrikář.

- pokud elektronářadí stále nefunguje, i když má požadované napájení a má neopotrebované uhlíkové kartáče, odevzdejte je do servisní opravy, jejíž adresa je uvedena v záruce.

VÝROBCE:

PROFIS s.r.o., ul. Marywilska 34, 03-228 Varšava, Polsko

OCHRANA ŽIVOTNÍHO PROSTŘEDÍ:



POZOR: Zobrazený symbol znamená zákaz likvidace zařízení dohromady s jinými odpady (na porušení zákazu se vztahuje pokuta). Nebezpečné složky, které se nacházejí v elektrickém a elektrotechnickém vybavení mají negativní vliv na životní prostředí a lidské zdraví.

Domácnosti by se měly zapojit do získávání zpět a opětovného využívání (recyklace) starých elektrospotřebičů. V Polsku a v Evropě se tvoří nebo už existuje systém sběru elektroodpadu, v rámci kterého mají všechna prodejní místa elektrospotřebičů povinnost přijímat elektroodpad. Kromě toho existují sběrná místa pro elektroodpad.

PIKTOGRAMY:

Vysvětlění ikon umístěných na firemním štítku a na informačních nálepkách na zařízení:



«Před spuštěním zařízení si přečtěte návod na obsluhu!»



«Vždy používejte ochranné brýle»



«Používejte prostředky na ochranu sluchu»



«Používejte ochranné masky proti prachu»

DT-C2/d_zg/0282/01

Łomna Las: 2018.11.05

(GB) EC/EU DECLARATION OF CONFORMITY
(PL) DEKLARACJA ZGODNOŚCI WE/EU
(RO) DECLARAȚIE DE CONFORMITATE CE/EU

(LV) EK/ES ATBILSTĪBAS DEKLARĀCIJA
(LT) EB/ES ATITIKTIES DEKLARACIJA
(CZ) ES/EU PROHLÁŠENÍ O SHODĚ

(HU) EK/EU-MEGFELELŐSÉGI NYILATKOZATA

(GB) MANUFACTURER

(PL) PRODUCENT

(RO) PRODUCĂTOR

(LV) RAŽOTĀJS

(LT) GAMINTOJAS

(CZ) VÝROBCE

(HU) GYÁRTÓ

PROFIX Sp. z o.o. ul. Marywińska 34, 03-228 Warszawa

(GB) Person who was authorized to develop technical documentation:

(LT) Asmuo įgaliojotas parengti techninę dokumentaciją:

(PL) Osoba upoważniona do przygotowania dokumentacji technicznej:

(CZ) Osoba oprávněna připravit technickou dokumentaci:

(RO) Persoana împuternicită pentru pregătirea documentației tehnice:

(HU) Műszaki dokumentáció elkészítésére meghatalmazott személy:

(LV) Persona atbildīga par tehniskās dokumentācijas sagatavošanu:

Mariusz Rotuski, Centrum Dystrybucyjno-Handlowe PROFIX, ul. Dobra 3, Łomna Las, 05-152 Czosnów

(GB) Rotary Hammer (PL) Młotowiertarka (RO) Bormașină cu percuție (LV) Trieciēna urbjmašīna (LT) Grąžtas perforatorius (CZ) Vrtací kladivo (HU) Fúrókalapács

TRYTON TMM1250

Z1C-HW01-3088EP

220 - 240 V; 50 Hz; 1250 W; kl. II; n_g: 0 - 850/min; ø30

S1839 S2153

(GB) The object of the declaration described above is in conformity with the relevant Union harmonisation legislation: (PL) Wymieniony powyżej przedmiot niniejszej deklaracji jest zgodny z odnosnymi wymaganiami unijnego prawodawstwa harmonizacyjnego: (RO) Obiectul declarației descris mai sus este în conformitate cu legislația relevantă de armonizare a Uniunii: (LV) Iepriekš aprakstītais deklarācijas priekšmets atbilst attiecīgajam Savienības saskaņošanas tiesību aktam (LT) Pirmaiau aprašytas deklaracijos objektas atitinka susijusius derinamuosius Sąjungos teisės aktus: (CZ) Výše popsaný předmět prohlášení je ve shodě s příslušnými harmonizačními právními předpisy Unie: (HU) A fent ismertetett nyilatkozat tárgya megfelel a vonatkozó uniós harmonizációs jogszabálynak:

(GB) 2006/42/EC (OJ L 157, 9.6.2006, p. 24–86); 2014/30/EU (OJ L 96, 29.3.2014, p. 79–106); 2011/65/EU of the European Parliament and of the Council of 8 June 2011 on the restriction of the use of certain hazardous substances in electrical and electronic equipment;

(PL) 2006/42/WE (Dz. U. L 157 z 9.6.2006, str. 24–86); 2014/30/UE (Dz. U. L 96 z 29.3.2014, str. 79–106); 2011/65/UE z dnia 8 czerwca 2011 r. w sprawie ograniczenia stosowania niektórych niebezpiecznych substancji w sprzęcie elektrycznym i elektronicznym (Dz. U. L 174 z 1.7.2011, str. 88–110)

(RO) 2006/42/CE (JO L 157, 9.6.2006, p. 24-86); 2014/30/UE (JO L 96, 29.3.2014, p. 79-106); 2011/65/UE a Parlamentului European și a Consiliului din 8 iunie 2011 privind restricțiile de utilizare a anumitor substanțe periculoase în echipamentele electrice și electronice;

(LV) 2006/42/EK (OV L 157, 9.6.2006., 24./86. lpp.); 2014/30/ES (OV L 96, 29.3.2014., 79./106. lpp.); 2011/65/ES (2011. gada 8. jūnijs) par dažu bīstamu lielu izmantošanas ierobežošanu elektriskās un elektroniskās iekārtās;

(LT) 2006/42/EB (OL L 157, 2006 m. 9. 24–86); 2014/30/ES (OL L 96, 2014 m. 3. 29, p. 79–106); 2011/65/ES 2011 m. birželio 8 d. dėl tam tikrų pavojingų medžiagų naudojimo elektros ir elektroninėje įrangoje prietaisų;

(CZ) 2006/42/ES (Úř. věst. L 157, 9.6.2006, s. 24–86); 2014/30/EU (Úř. věst. L 96, 29.3.2014, s. 79–106); 2011/65/ES z dne 8. června 2011 o omezení používání některých nebezpečných látek v elektrických a elektronických zařízeních;

(HU) 2006/42/EK (HL L 157., 2006.6.9., 24–86. o.), 2014/30/ES (HL L 96., 2014.3.29., 79–106. o.); 2011/65/EK irányelve (2011. június 8.) egyes veszélyes anyagok elektromos és elektronikus berendezésekben való alkalmazásának korlátozásáról;

(GB) and have been manufactured in accordance with the standards:

(LT) bei yra pagamintas pagal normas:

(PL) oraz został(y) wyprodukowany(e) zgodnie z norma(ami):

(CZ) a byla(y) vyrobená(y) podle normy(em):

(RO) și au fost produse conform normelor:

(HU) és gyártás(uk) az alábbi szabvány(ok)nak megfelelően történt:

(LV) un tika izgatavoti atbilstoši normām:

EN 60745-1:2009+A11:2010 EN 60745-2-6:2010

EN 55014-1:2017 EN 55014-2:2015 EN 61000-3-2:2014 EN 61000-3-3:2013

IEC 62321:2008 IEC 62321-7-1:2015 IEC 62321-4:2013 IEC 62321-5:2013 IEC 62321-6:2015

Mariusz Rotuski

Pełnomocnik Zarządu ds. Certyfikacji
Representative of the Board for Certification

(GB) This declaration of conformity is issued under the sole responsibility of the manufacturer. (PL) Niniejsza deklaracja zgodności wydana zostaje na wyłączną odpowiedzialność producenta. (RO) Prezenta declarație de conformitate este emisă pe răspunderea exclusivă a producătorului. (LV) Šī atbilstības deklarācija ir izdota vienīgi uz šāda ražotāja atbildību. (LT) Ši atitikties deklaracija išduota tik gamintojo atsakomybe. (CZ) Toto prohlášení o shodě vydal na vlastní odpovědnost výrobce. (HU) E megfelelősségi nyilatkozat a gyártó kizárólagos felelősségére kerül kibocsátásra.



(CZ) Politika firmy PROFIX je politikou průběžného zdokonalování výrobků, z toho důvodu si firma vyhrazuje právo změnit specifikaci výrobku bez předchozího informování. Obrázky, uvedené v návodu na obsluhu, jsou pouze příklady a mohou se lišit od skutečného vzhledu zakoupeného zařízení.

Tento návod je chráněn autorským zákonem. Jeho kopírování / rozmnožování bez písemného souhlasu společnosti PROFIX s.r.o. je zakázáno.