

# TRYTON

## ELEKTRONARZĘDZIA

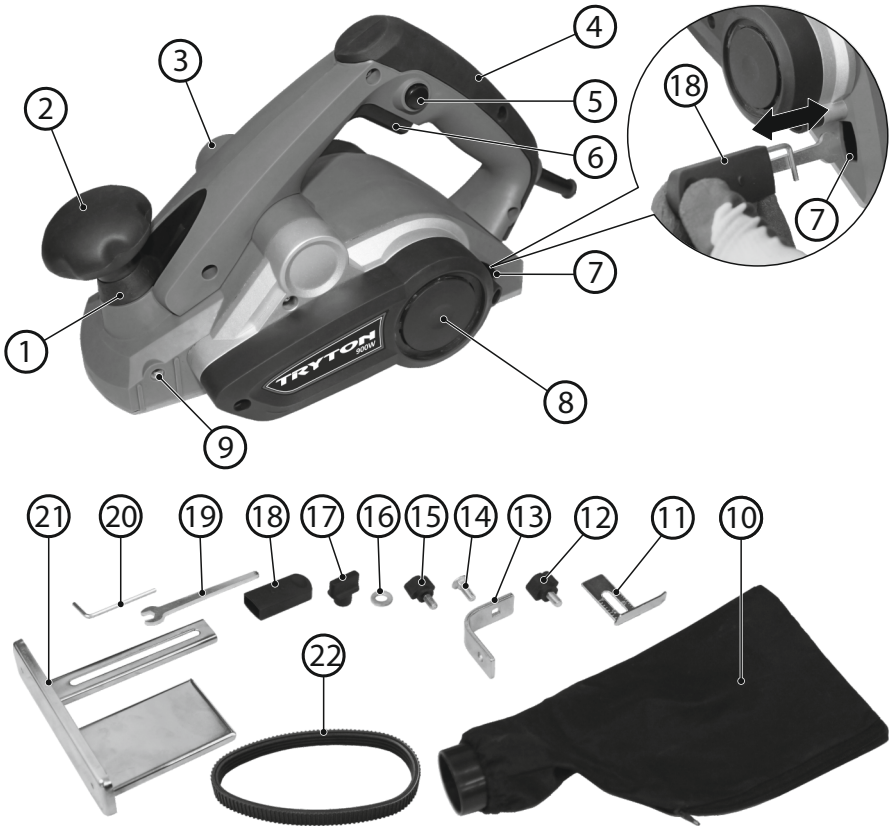
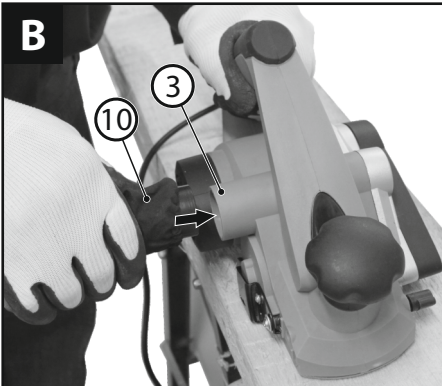
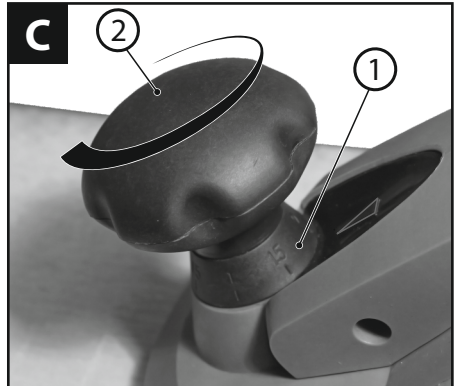


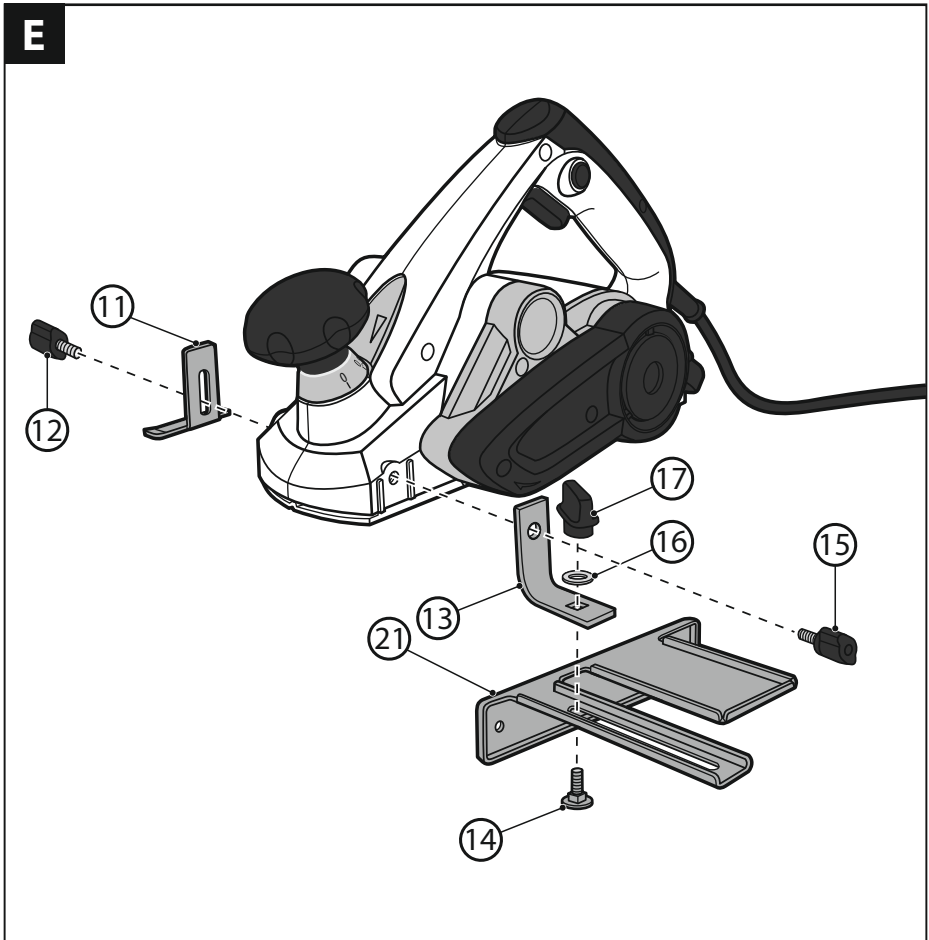
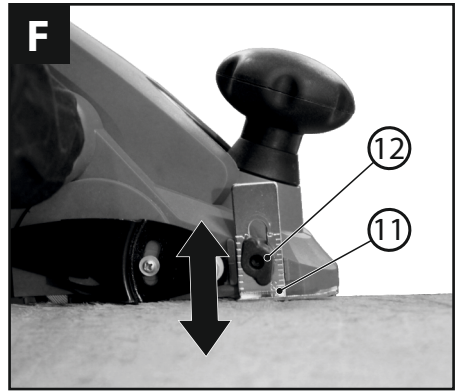
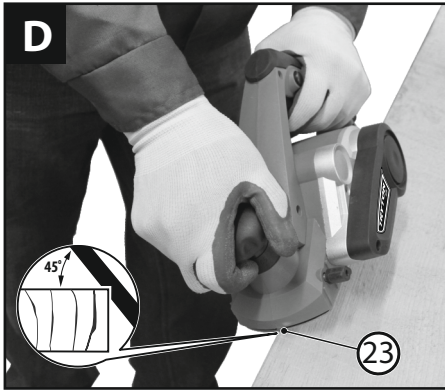
### THG900

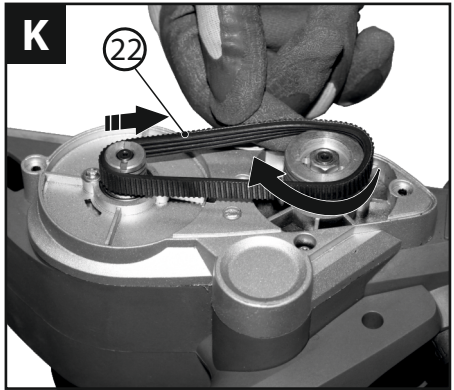
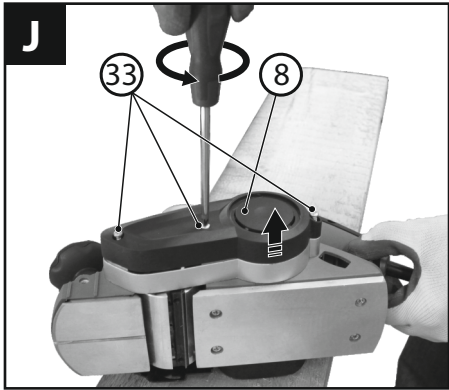
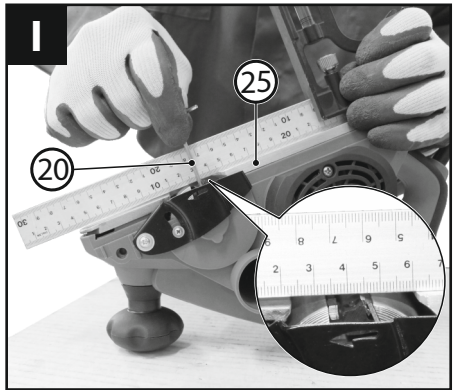
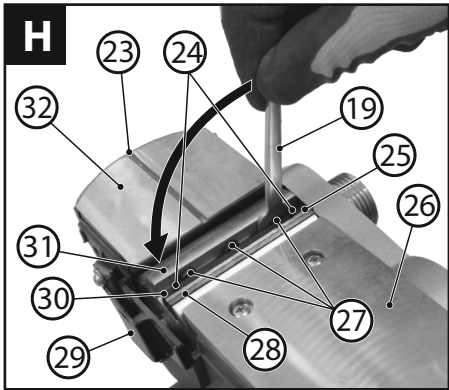
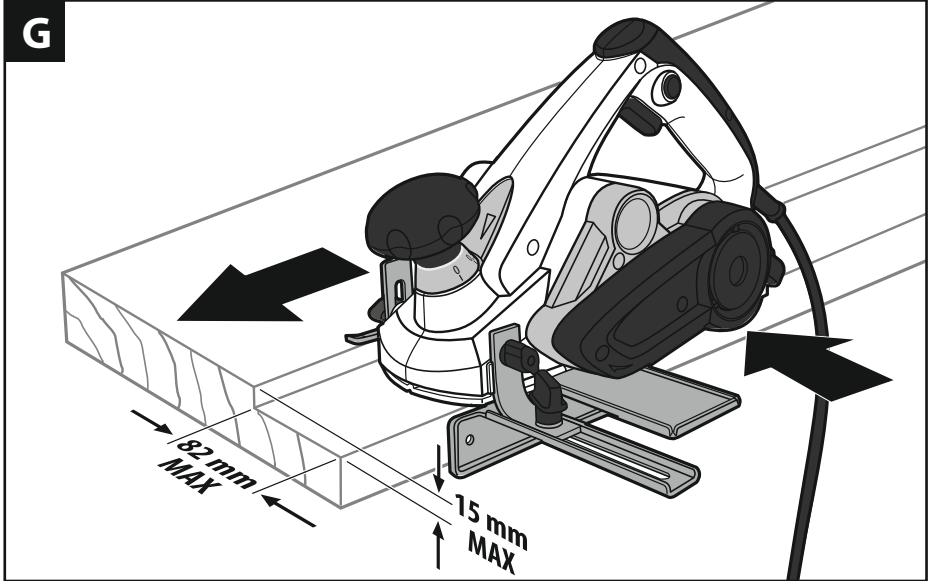
---

<b>GB</b> Operating instruction	ELECTRIC PLANER .....	5
<b>PL</b> Instrukcja obsługi oryginalna	STRUG ELEKTRYCZNY .....	10
<b>RU</b> Инструкция по эксплуатации	ЭЛЕКТРОРУБАНОК .....	16
<b>RO</b> Instrucții de folosire	RINDEA ELECTRICĂ .....	22
<b>LV</b> Lietošanas instrukcija	ELEKTRISKĀ ĒVELE .....	27
<b>CZ</b> Návod na obsluhu	ELEKTRICKÝ HOBLÍK .....	32
<b>LT</b> Naudojimo instrukcija	ELEKTRINIS OBLIUS .....	37
<b>HU</b> Használati utasítások	ELEKTROMOS GYALU .....	42

---

**A****B****C**







**BEFORE YOU START USING THE MACHINE READ THOROUGHLY THIS MANUAL.**

Keep this document for future reference.



**WARNING!** Read all safety warnings marked with a symbol  and all operating safety instructions.

To limit the risk of fire, electric shock and injury while using the device, follow all operating safety instructions and tips provided below.

**Keep all work safety instructions and tips for future reference.**

In warnings provided herein the expression "power tool" means a power tool powered from the mains (with a power cord) or a battery powered power tool (cordless).



**WARNING!** General work safety warnings for use of the tool.

**Workplace safety:**

- Keep your workplace tidy and well lit. Untidiness and bad lighting result in higher accident rate.
- Do not use the power tool in explosive environments, created by flammable liquids, gases or dusts. The power tool generates sparks that can ignite dust or vapors.
- Keep children and unauthorized persons away from the place where the power tools are used. Inattention may result in losing control over your power tool.



**WARNING!** General warnings regarding the use of power tools.

**Electrics safety:**

- Plugs used in power tools must match wall outlets. Never modify the plug of your power tool. Do not use any extension cables when operating a power tool with a grounding/earthing conductor (PE). Any modifications of plugs and outlets increase the risk of electric shock.
- Avoid touching earthed surfaces or grounded items like pipes, heaters, central heating radiators and refrigerators. Touching earthed or grounded surfaces increases the risk of electric shock.
- Do not expose your power tool to rain or damp environments. Water penetrating the tool increases the risk of electric shock.
- Do not damage the power cord. Never use the power cord to carry, pull the power tool and do not pull by its power cord to disconnect plug from the outlet. Keep the power cord away from sources of heat, oils, sharp edges and moving parts. Damaged or entangled power cords increase the risk of electric shock.
- When your power tool is operated outdoors use extension cords intended for outdoor use only. Using an extension cable intended for outdoor use decreases the risk of electric shock.
- When it is unavoidable to use your power tool in a damp environment use an RCD (Residual Current Device) for protection. The use of RCDs decreases the risk of electric shock.



**WARNING!** General warnings regarding the use of power tools.

**Personal safety:**

- This equipment is not intended for use by persons (including children) disabled physically, mentally, sensorial or persons with no experience and knowledge in operating the equipment unless they operate the equipment under supervision or follow user's instructions provided by persons responsible for their safety.
- It is necessary to predict steps, watch and keep common sense when using power tools. Do not operate power tools when you are tired, under influence of drugs, medicine or alcohol. A moment of inattention while operating a power tool may result in serious personal injury.
- Use personal protective equipment (PPE). Always wear safety goggles. Wearing personal protective equipment (PPE) including a dust mask, anti-slippery footwear, a helmet and ear protection reduces personal injury.
- Avoid unexpected start up. Before connecting your power tool to the mains and/or inserting a battery make sure its power switch is in off position. Carrying your power tool with a finger on its power switch or without disconnecting it from the mains (switched on) may result in an accident.
- Before starting your power tool remove any keys/wrenches. Leaving a key/wrench in the rotating part of your power tool may result in personal injury.
- Do not lean forward too far. Always remain stable and maintain balance. It will allow you to have a better control over your power tool in unpredictable situations.
- Wear appropriate clothing. Do not wear loose clothes or jewelry. Keep your hair tied. Keep your clothes away from moving parts. Loose clothes, jewelry or long hair may be caught by moving parts.
- If your power tool allows for using an external dust extraction or collection system, make sure it is connected and used properly. Using dust collectors may reduce dust affected risks.



**WARNING!** General warnings regarding the use of power tools.

**Use and taking care of your power tool:**

- Do not overload your power tool. Use a power tool with power adjusted to work being done. An appropriately chosen power tool will allow you to work better and safer under load it has been designed for.
- Do not use a power tool when its power switch is out of order (it does not switch it on or off). Any power tool with its power switch out of order is dangerous and must be repaired.
- Always disconnect the plug from the power source and/or disconnect its battery before changing any settings, performing replacement or storage. Such preventive measures reduce the risk of accidental power tool start up.
- Keep your power tool out of reach of children and do not allow unauthorized persons to use the power tool. Power tools in hands of untrained persons can be dangerous.

- e) **Power tools require maintenance.** Check power tools for concentricity or jamming of moving parts, any cracks and all other factors affecting the power tool work safety. If any damage to the power tool is detected, it should be repaired before use. *Improper power tool maintenance is a reason for many accidents.*
- f) **Cutting tools should be sharp and clean.** *Keeping sharp cutting edges in good condition reduces the risk of jamming and facilitates operation.*
- g) **Power tools, equipment, working tools etc. should be used according to this user's manual taking into account operating conditions and the work to be done.** *Misusing a power tool can result in dangerous situations.*
- h) **At low temperatures and after a long brakes in operation it is recommended to turn the power tool to operate it with no load for a few minutes to provide proper grease distribution inside its driving mechanism.**
- i) **Use soft, damp (cannot be wet) cloth and soap to clean power tools. Do not use petrol, solvents and other agents that may damage your equipment.**
- j) **Power tools can be stored/carried after making sure that all moving components are locked and protected against release with original devices intended for this purpose.**
- k) **Store power tools in a dry, dust and water-protected place.**
- l) **Carry your power tool in its original packaging to provide protection against mechanical damage.**



**WARNING!** General warnings regarding the use of power tools.

#### Repair:

- a) **Power tools can be repaired by competent persons only who use original spare parts.** *It will provide safe operation for the power tool.*



**WARNING!**

#### **ELECTRIC PLANER Safety Rules:**

- a) **Prior to putting the electric tool aside wait until the cutting shaft is fully stopped.** *Naked blades may catch on the surface, which may lead to uncontrolled movements of the toll and result in heavy injuries.*
- b) **Never put hands into the chip ejector.** *Rotating parts present a risk of injuries.*
- c) **Start the electric tool running idle, i.e. prior to applying the blades to the material.** *Otherwise there is a risk of jerks as the tool may be seized in the machined part.*
- d) **While working with the plane hold the machine flat so that the sole plates fully rest on the machined material.** *Otherwise the plane can be tilted while immersing into the material and cause personnel injuries.*
- e) **Never work with materials that may contain metal parts, such as nails or screws.** *It may damage the cutting shaft and the cutter itself or lead to excessive vibrations.*
- f) **Protect the object machined.** *Make sure all clamps are closed and check for excessive clearance. It is safer to fix the object machined in a fixing device or a vice than holding it in your hand.*
- g) **Do not use a power tool with its power cord damaged. Do not**

**touch the power cord when damaged; in case of damaging the power cord during operation unplug it from the mains.**

*Damaged power cords increase the risk of electric shock.*

**ATTENTION!** *If a permanently fixed power cord becomes damaged, it must be replaced with a special cable or assembly available at the manufacturer's or at a specialized repair service point.*

#### **DESIGN AND APPLICATION AREA OF THE ELECTRIC PLANER:**

The electric planer is an electric tool that is designed for manual planning, edge bevelling and grooving of wood and timber-derived materials. The tool is a device of the second class of electric protection (double insulation) and is driven with use of a single-phase motor.

*It is strictly forbidden to use the planer for any other application.*

The planer can never be used as a fixed tool.

**The planer is designed only for household (DIY) application. Do never use the tool for applications that need use of professional equipment.**

**The warranty terms are null and void when the tool is used at craftsman workshops, for industrial applications or in similar fields.**

Even in case of applications according to the intended use it is impossible to completely eliminate certain factors of residual risk. Due to the machine design and its structure the following hazards are present:

- throwing a machined part or pieces of a machined part,
- damage of hearing when appropriate hearing protectors are not used,
- emission of timber dust hazardous for human health when works are carried out in closed rooms (confined areas).

#### ■ **Delivery kit:**

- Electric planer - 1 pc.
- Guide bar for parallel planing - 1 pc.
- Angle bracket to fix the guide bar - 1 pc.
- Fixing bolt of the angle bracket - 1 pc.
- Bolt to fix the guide bar to the angle bracket - 1 pc.
- Washer - 1 pc.
- Nut to fix the planing guide to the angle bar - 1 pc.
- Limiter for grooving depth - 1 pc.
- Bolt to fix the limiter for grooving depth - 1 pc.
- Chip bag - 1 pc.
- Compartment for tools (spanners) - 1 pc.
- M8 wrench - 1 pc.
- Hexagonal socket wrench - 1 pc.
- Spare transmission belt - 1 pc.
- User's manual - 1 pc.
- Warranty card - 1 pc.

#### ■ **Device components**

*The components are numbered according to the graphic images presented in pages 2 and 4 of this Operating Instruction.*

- Fig. A:**
1. Scale for adjustment of cutting depth
  2. Knob for adjustment of cutting depth
  3. Chip ejector outlet
  4. Handle
  5. Safety button
  6. On/Off trigger
  7. Opening to hide a compartment for tools (spanners)

8. Protecting cover for the transmission belt
9. Opening to install a parallel guide bar
10. Chip bag
11. Limiter for grooving depth
12. Bolt to fix the limiter for grooving depth
13. Angle bracket to fix the guide bar
14. Bolt to fix the guide bar to the angle bracket
15. Fixing bolt of the angle bracket
16. Washer
17. Nut to fix the planing guide to the angle bar
18. Compartment for tools (spanners)
19. M8 wrench
20. Hexagonal socket wrench
21. Guide bar for parallel planing
22. Transmission belt
- Fig. D: 23. V-type groove for edge bevelling
- Fig. H: 24. Bolts to adjust height of the cutter
25. Two-sided cutter
26. Rear sole of the base shoe
27. Bolts for the cutter holder
28. Backup plate
29. Swivelled protective cover
30. Cutter holder
31. Cutting shaft
32. Front sole of the base shoe

Fig. J: 33. Fixing bolts for the cover of the transmission belt

#### TECHNICAL DATA:

Rated voltage	230-240 V
Rated frequency	50 Hz
Power consumption	900 W
Rotational speed max.	16000 rpm
Planing width	82 mm
Planing depth	0-3 mm
Protection class	II
Weight	2,9 kg
Sound pressure level LpA (K=±3dB(A))	91,2 dB(A)
Sound power level LwA (K=±3dB(A))	102,2 dB(A)
Vibration level according to EN 60745-1:2009 (measurement tolerance K=1,5 m/s <sup>2</sup> )	4,13 m/s <sup>2</sup>

The vibration level value given refers to basic application of the tool. If the tool is used for other applications or with other tools, or if it is not maintained properly, the vibration level may differ from the values given. The above-mentioned causes may lead to higher exposure to vibrations during the whole work time.

One must implement additional safety measures to protect the operators from exposure to vibrations, such as maintenance of the electric tool and work tools, assurance of proper hand temperature, or determination of the sequence of work operations.

#### BEFORE YOU START:

1. Make sure that power supply parameters meet the requirements provided on the tool nameplate.
2. Make sure that the On/Off trigger (6) of the plane is in the Off position

and the safety button (5) is released.

3. Prior to commencement of working with the tool check whether the planing cutters are properly adjusted and reliably fixed (see «Replacement of cutting blades») and make sure that all moving part of the tool are in sound operating condition, are not seized, cracked or damaged that may affect proper operation of the tool. Damaged tools must be handed over for repairs before they can be used again.
4. When your workplace is too far to plug the tool directly to the mains socket, use an extension cord with a cable cross-section meeting the tool requirements. Extension cords should be as short as possible. When in use extension cords must be fully uncoiled.

**NOTE:** While working with the plane always use protection means for the upper respiratory tract (dust masks). Due to the reason of health protection it is always necessary to collect shavings to the dedicated bag or use a vacuum cleaner as a dust aspirator. The vacuum cleaner must be capable to collect dust or shavings released by machined materials and its intake hose is to be connected directly to the chip ejection outlet (3). DO NOT WORK MATERIALS CONTAINING ASBESTOS.

#### ■ Installation of the chip bag

Insert the chip bag (10) nozzle into the chip ejector outlet (3) as deep as possible (see Fig. B, p. 2).

**NOTE:** The chip bag must be emptied as needed under regular basis. Detach the bag, unzip it and remove collected chips and dust.

**Do never put fingers into the chip ejector outlet!** When the outlet is clogged, disconnect the tool from the power network and remove the obstacle with a thin stick or compressed air.

#### ■ Adjustment of cutting depth (see Fig. C, p. 2)

The knob for adjustment of cutting depth (2) enables to set gradually the cutting depth ranging from 0 to 3,0 mm against the depth scale (1) with the scale increment of 0,5 mm.

- anticlockwise rotation of the knob reduces the cutting depth,
- clockwise rotation of the knob increases the cutting depth.

#### OPERATION:

##### ■ Switching on/off

- The device is provided with a safety button (5) that prevents from unintentional switching the machine on. To start the planer it is first necessary to depress the button and only then one can push the On/Off trigger (6) of the planer and hold the trigger depressed. Due to safety reason the trigger cannot be locked in the active position during operating the planer.
- Releasing the On/Off trigger (6) switches the machine off.

##### ■ Surface machining

Set the desired cutting depth and place the front sole of the tool shoe (32) onto the machined surface.

**NOTE:** Hazard of powerful reaction kicks! Start planing only after the cutting shaft reaches the maximum rotation speed.

Switch the tool on and hold it with two hands. Move the planer smoothly and uniformly down the entire surface to be machined. Both the front and rear soles of the shoe plate must firmly rest on the machined part.

**CAUTION:** The power cord should be always within a safe distance from rotating parts of the electric tool. Remember to keep always the power cord behind the electric tool.

To achieve high quality of finishing it is recommended to keep pushing the planer really gently, trying to equalize pressure onto the plane shoe.

For machining of hard materials, e.g. hard timber grades or for planing with the entire width of the tool it is recommended to set only low cutting depth and reduce the tool advancing speed.

Too fast advancing is detrimental to quality of machined surfaces, may lead to the machine overloading or to quick clogging of the chip ejector.

Final finishing of surfaces should be carried out with only small cutting depth and the surface is to be machined with multiple passes.

**NOTE:** When the planing cutting roller (31) gets stalled, disconnect the tool immediately from the power source, remove the obstacle and check condition of the cutters. Do never use tools with damaged components.

#### ■ Beveling of edges (see Fig. D, p. 3)

Fast and easy beveling of edges at the angle of 45° is possible owing to a dedicated V-shaped groove (23) running down the front sole of the machine shoe. Place the groove onto the machined edge and drive the tool forward. Pay attention to smooth and uniform driving and keeping the angle constant.

**NOTE:** Only sharp cutting blades guarantee high quality of machining and prevent the tool from being damaged.

#### ■ Planing with use of a parallel guide bar

Cutting out of recessed planes is easier with use of a guide bar (21) or parallel planing. The guide bar should be installed on the electric tool with use of the angle bracket (13) according to Fig. E in page 3. When necessary the grooving depth limiter (11) can be installed as well.

To adjust the necessary width of the grooved planer it is necessary to release the nut (17), move the guiding bar perpendicularly against the angle bracket to the desired width and then retighten the nut (17).

Release the bolt (12) and adjust the desired depth of grooving with use of the depth limiter (11) (see Fig. F).

Use smaller depth values and repeat the grooving operation several times until the desired offset of surfaces is achieved. The planer should be driven with a moderate lateral pushing force (see Fig. G).

#### REPLACEMENT OF CUTTING BLADES:



**NOTE!** Prior to commence any maintenance or repair jobs make sure that the device is disconnected from the electric power network.

The planer is provided with two rotating cutters that are made of hard alloy. The cutters have two blades so that they can be used for two-sided machining. Owing to the guiding groove of cutters they can be reliably set at the same height.

**NOTE:** Never attempt to sharpen cutters made of hard alloys! Worn, blunt or damaged cutters must be replaced with new ones. Use only **Centrolock HM** cutting blades with dimensions of 6 x 1 x 82 mm.

**CAUTION:** To replace the cutting blade put on protective gloves and be careful to avoid injuries. Do never touch the cutter blades. There is a risk of injuries with sharp cutting blades.

#### ■ Disassembly of a cutter (see Fig. H, p. 4)

To replace or swap the cutter (25) proceed in the following way:

- rotate the cutting shaft (31) to provide access to fixing bolts (27) of the cutter holder;
- clean the cutter holder (30);
- loose three fixing bolts of the cutter holder (27) on the cutting shaft (31) with use of the included in compartment for tools (18) M8 flat wrench (19);
- use a wooden follower to push the cutter away from the shaft.

#### ■ Installation of a cutter

Prior to installation of a new cutter clean carefully all the mating parts. Slide a new cutter in between the holder (30) and the backup plate (28).

**NOTE:** The backup plate is provided with recesses meant to align the cutter with regard to its holder. Check carefully whether both the cutter and the backup plate are precisely in contact with the cutter holder and the blade line is perfectly parallel to the shaft surface. When the cutter is installed correctly the blade edge should perfectly match the rear sole of the base shoe (25) (see Fig. I, p. 4). When necessary, adjust the setting with use of a hexagonal socket wrench (20) to rotate the bolts until the desired elevation of the cutting blade (24) is reached.

Make sure that position of the cutter is correct with respect to the both ends of the cutting shaft and firmly tighten the three fixing bolts (27).

**NOTE:** Always replace a pair of cutters to have the cutting set with identical parameters. It guarantees perfect balancing of the rotating shaft.

Prior to starting the machine again check whether the bolts (27) are correctly tightened. Rotate the cutting shaft (31) with hand and check for possible rubbing between the bolts and the cutter.

#### ■ Replacement of a transmission belt

To replace the transmission belt (22) proceed in following way:

- use a cross-tip screwdriver to unscrew three fixing bolts of the transmission belt cover (33) and remove the cover (8) (see Fig. J, p. 4);
- disassemble the damaged transmission belt (22) (see Fig. K, p. 4);
- clean the belt pulleys with use of a soft brush;
- place the new V-belt on the groove of the smaller pulley and then rotate the big one to drive the V-belt into its groove;
- reinstall the transmission belt cover and fix it with bolts.

#### STORAGE AND MAINTENANCE:

Generally, this power tool does not require any special maintenance. Store the machine in a place away from children, keep it clean and protect from humidity and dust. Storage conditions should exclude any mechanical damage and weathering.

After each use it is recommended to clean the tool from chips and shavings. Ventilation openings should be blown with compressed air. It prevents from premature wear of bearing and removes all dust that disables access of cooling air to the machine motor.

Wipe the device body with a wet cloth with small amount of soap. Do never use any aggressive cleaning agents or solvents as they may damage plastic parts of the device. Be careful to avoid penetration of water inside the machine body.

#### TRANSPORT:

The device should be transported and stored in its transportation case that protects the tool from moisture, penetration of dust and fine particles. In particular it is necessary to protect the ventilation openings. Fine particles that can get into the device housing may damage the motor.

#### ENVIRONMENTAL PROTECTION:



**NOTE:** The symbol nearby denotes that old equipment must never be disposed together with other wastes (with the penalty of a fine). Hazardous components of electronic equipment may adversely affect the natural environment and human health.

Each household may contribute to recovery and reuse (recycling) of old



machinery and equipment. Both in Poland and Europe a system for recovery of used equipment either exists or is being developed. The system obliges all organizations that sell such equipment to collect back the used machinery and appliances. Moreover, general purpose collecting points for such equipment are also available.

**MANUFACTURER:**

PROFIX Ltd.,  
34 Marywilka Street,  
03-228 Warsaw, POLAND.

This appliance is in conformity with national and European standards as well as with general safety guidelines.

**NOTE:** Any repairs are allowed to be carried out exclusively by qualified staff with use of original spare parts.

**PICTOGRAMS:**

Explanation of the icons located on the nominal plate and the

information tags:



– «Read this instruction before switching on the power supply and starting the work.»



– «Always wear appropriate eye protection.»



– «Use appropriate hearing protection.»



– «Always wear the anti-dust mask.»

**TROUBLESHOOTING GUIDE:**

PROBLEM	POSSIBLE CAUSE	REMEDY
The tool (planer) fails to operate.	No power voltage, damaged motor or the power trigger.	Check whether the power cord is connected correctly and check fuses. When the problem persists hand over the tool for repair at a service workshop. Please refer to the warranty sheet for addresses of authorized workshops.
Irregularities of the motor operation.	Worn carbon brushes of the motor	Have the brushes replaced at a service workshop.
The cutting roller fails to rotate	The transmission V-belt is worn/ damaged	Replace the V-belt (see: «Replacement of a transmission belt»



The policy of the PROFIX company consists in permanent improvements of the offered products and therefore the company reserves the right to make amendments to the product specification without a prior notice. The images included into the operation manual are only of the exemplary nature and may slightly differ from actual appearance of the device purchased.

This instruction manual is protected by copyright. Copying it without the written consent of PROFIX Co. Ltd. is prohibited.



**PRZED PRZYSTĄPIENIEM DO UŻYTKOWANIA NALEŻY ZAPOZNAĆ SIĘ Z NINIEJSZĄ INSTRUKCJĄ.**

Zachowaj instrukcje do ewentualnego przyszłego wykorzystania.



**OSTRZEŻENIE!** Należy przeczytać wszystkie ostrzeżenia dotyczące bezpieczeństwa użytkowania oznaczone symbolem ⚠ i wszystkie wskazówki dotyczące bezpieczeństwa użytkowania.

Nieprzestrzeganie podanych niżej ostrzeżeń dotyczących bezpieczeństwa i wskazówek dotyczących bezpieczeństwa może być przyczyną porażenia prądem elektrycznym, pożaru i/lub poważnych obrażeń.

**Zachowaj wszystkie ostrzeżenia i wskazówki dotyczące bezpieczeństwa, aby móc skorzystać z nich w przyszłości.**

W podanych niżej ostrzeżeniach wyrażenie „elektronarzędzie” oznacza elektronarzędzie zasilane z sieci (z przewodem zasilającym) lub elektronarzędzie zasilane z akumulatora (bezwolnowodowe).



**OSTRZEŻENIE!** Ogólne ostrzeżenia dotyczące bezpieczeństwa użytkowania narzędzia.

**Bezpieczeństwo w miejscu pracy:**

- W miejscu pracy należy utrzymywać porządek i dobre oświetlenie. Nieporządek i złe oświetlenie przyczynia się do wypadków.
- Nie należy używać elektronarzędzia w środowiskach wybuchowych, tworzonych przez łatwo palne ciecze, gazy lub pyły. Elektronarzędzie wytwarza iskry, które mogą zapalić pył lub opary.
- Nie należy dopuszczać dzieci i obserwatorów do miejsc, w których używa się elektronarzędzi. Rozproszenie uwagi może spowodować utratę kontroli nad elektronarzędziem.



**OSTRZEŻENIE!** Ogólne ostrzeżenia dotyczące bezpieczeństwa użytkowania narzędzia.

**Bezpieczeństwo elektryczne:**

- Wtyczki elektronarzędzi muszą pasować do gniazdek. Nigdy w żaden sposób nie należy przerabiać wtyczki. Nie należy używać żadnych przedłużaczy w przypadku elektronarzędzi mających przewód z żyłą uziemienia ochronnego. Brak przeróbek we wtyczkach i gniazdkach wtyczkowych zmniejsza ryzyko porażenia prądem elektrycznym.
- Należy unikać dotykania powierzchni uziemionych lub zwartych z masą, takich jak rury, ogrzewacze, grzejniki centralnego ogrzewania i chłodziarki. W przypadku dotknięcia części uziemionych lub zwartych z masą, wzrasta ryzyko porażenia prądem elektrycznym.
- Nie należy narażać elektronarzędzi na działanie deszczu lub warunków wilgotnych. W przypadku przedostania się do elektronarzędzia wody, wzrasta ryzyko porażenia prądem elektrycznym.
- Nie należy nadwierać przewodów przyłączeniowych. Nigdy nie należy używać przewodu przyłączeniowego do

przenoszenia, ciągnięcia elektronarzędzia lub wyciągania wtyczki z gniazdka. Należy trzymać przewód przyłączeniowy z daleka od źródeł ciepła, olejów, ostrych krawędzi lub ruchomych części. Uszkodzone lub zaplątane przewody przyłączeniowe zwiększają ryzyko porażenia prądem elektrycznym.

- W przypadku, gdy elektronarzędzie używa się na wolnym powietrzu, przewody przyłączeniowe należy przedłużać przedłużaczami przeznaczonymi do pracy na wolnym powietrzu. Używanie przedłużacza przeznaczonego do pracy na wolnym powietrzu zmniejsza ryzyko porażenia prądem elektrycznym.
- W przypadku, gdy używanie elektronarzędzia w środowisku wilgotnym jest nieuniknione, jako ochronę przed napięciem zasilania należy stosować urządzenia różnicowoprądowe (RCD). Zastosowanie RCD zmniejsza ryzyko porażenia prądem elektrycznym.



**OSTRZEŻENIE!** Ogólne ostrzeżenia dotyczące bezpieczeństwa użytkowania narzędzia.

**Bezpieczeństwo osobiste:**

- Niniejszy sprzęt nie jest przeznaczony do użytkowania przez osoby (w tym dzieci) o ograniczonej zdolności fizycznej, czuciowej lub psychicznej, lub osoby nie mające doświadczenia lub znajomości sprzętu, chyba że odbywa się to pod nadzorem lub zgodnie z instrukcją użytkowania sprzętu, przekazanej przez osoby odpowiadające za ich bezpieczeństwo.
- Należy być przewidującym, obserwować co się robi i zachowywać rozsądek podczas używania elektronarzędzia. Nie należy używać elektronarzędzia, gdy jest się zmęczonym lub pod wpływem narkotyków, alkoholu lub leków. Chwila nieuwagi podczas pracy elektronarzędziem może spowodować poważne osobiste obrażenia.
- Należy stosować wyposażenie ochronne. Należy zawsze zakładać okulary ochronne. Używanie w odpowiednich warunkach wyposażenia ochronnego, takiego jak maska przeciwpyłowa, obuwie antypoślizgowe, kask lub ochronniki słuchu, zmniejsza osobiste obrażenia.
- Należy unikać niezamierzonego rozruchu. Przed przyłączeniem do źródła zasilania i/lub przed podłączeniem akumulatora oraz zanim podniesie się lub przeniesie się narzędzie należy upewnić się, że wyłącznik elektronarzędzia jest w pozycji wyłączony. Przenoszenie elektronarzędzia z palcem na wyłączniku lub przyłączenie elektronarzędzia do sieci zasilającej przy załączonym wyłączniku może być przyczyną wypadku.
- Przed uruchomieniem elektronarzędzia należy usunąć wszystkie klucze. Pozostawienie klucza w obracającej się części elektronarzędzia może spowodować osobiste obrażenia.
- Nie należy wychylać się za daleko. Należy cały czas stać pewnie i zachować równowagę. Umożliwi to lepszą kontrolę nad elektronarzędziem w sytuacjach nieprzewidywalnych.
- Należy odpowiednio się ubierać. Nie należy nosić luźnego ubrania ani biżuterii. Należy utrzymywać swoje włosy,

ubranie i rękawiczki z dala od części ruchomych. Luźne ubrania, biżuteria lub długie włosy mogą zostać zaczepione przez części ruchome.

- h) Jeżeli urządzenie są przystosowane do przyłączenia zewnętrznego odciągu pyłu i pochłaniacza pyłu, należy upewnić się, że są one przyłączone i prawidłowo użyte. Użycie pochłaniaczy pyłu może zredukować zagrożenia zależne od zapylenia.



**OSTRZEŻENIE!** Ogólne ostrzeżenia dotyczące bezpieczeństwa użytkowania narzędzia.

**Użytkowanie i troska o elektronarzędzie:**

- a) Nie należy elektronarzędzia przeciążać. Należy stosować elektronarzędzie o mocy odpowiedniej do wykonywanej pracy. Właściwe elektronarzędzie umożliwi pracę lepszą i bezpieczniejszą przy obciążeniu, na jakie zostało zaprojektowane.
- b) Nie należy używać elektronarzędzia, jeżeli łącznik go nie załącza i nie wyłącza. Każde elektronarzędzie, którego nie można załączać lub wyłączać łącznikiem, jest niebezpieczne i musi zostać naprawione.
- c) Należy odłączać wtyczkę ze źródła zasilania elektronarzędzia i/lub odłączyć akumulator przed wykonaniem każdej nastawy, wymiany części lub magazynowaniem. Takie zapobiegawcze środki bezpieczeństwa redukują ryzyko przypadkowego rozruchu elektronarzędzia.
- d) Nieużywane elektronarzędzie należy przechowywać poza zasięgiem dzieci i nie należy pozwalać osobom niezaznajomionym z elektronarzędziem lub niniejszą instrukcją na używanie elektronarzędzia. Elektronarzędzia są niebezpieczne w rękach nieprzeszkolonych użytkowników.
- e) Elektronarzędzia należy konserwować. Należy sprawdzać współosiowość lub zakleszczenie się części ruchomych, pęknięcia części i wszystkie inne czynniki, które mogą mieć wpływ na pracę elektronarzędzia. Jeżeli stwierdzi się uszkodzenia, należy elektronarzędzie przed użyciem naprawić. Przyczyną wielu wypadków jest niefachowy sposób konserwacji elektronarzędzia.
- f) Narzędzia tnące powinny być ostre i czyste. Odpowiednie utrzymywanie ostrych krawędzi narzędzi tnących zmniejsza prawdopodobieństwo zakleszczenia i ułatwia obsługę.
- g) Elektronarzędzie, wyposażenie, narzędzia robocze itp. należy stosować zgodnie z niniejszą instrukcją, biorąc pod uwagę warunki pracy i rodzaj pracy do wykonania. Używanie elektronarzędzia w sposób, do jakiego nie jest przewidziane, może spowodować niebezpieczne sytuacje.
- h) W niskich temperaturach, lub po dłuższym okresie nie użytkowania, zalecane jest włączenie elektronarzędzia bez obciążenia na okres kilku minut w celu właściwego rozprowadzenia smaru w mechanizmie napędu.
- i) Do czyszczenia elektronarzędzi stosować miękką, wilgotną (nie mokra) szmatkę i mydło. Nie stosować benzyny, rozpuszczalników i innych środków mogących uszkodzić urządzenie.
- j) Elektronarzędzie należy przechowywać/transportować po upewnieniu się, że wszystkie jego elementy ruchome są zablokowane i zabezpieczone przed odblokowaniem za

pomocą oryginalnych elementów do tego przeznaczonych.

- k) Elektronarzędzie należy przechowywać w miejscu suchym, zabezpieczone przed kurzem i wnikaniem wilgoci.
- l) Transportowanie elektronarzędzia powinno odbywać się w opakowaniu oryginalnym, zabezpieczającym przed uszkodzeniami mechanicznymi.



**OSTRZEŻENIE!** Ogólne ostrzeżenia dotyczące bezpieczeństwa użytkowania narzędzia.

**Naprawa:**

- a) Naprawę elektronarzędzia należy zlecać wyłącznie osobie wykwalifikowanej, wykorzystującej wyłącznie oryginalne części zamienne. Zapewni to, że użytkowanie elektronarzędzia będzie nadal bezpieczne.



**OSTRZEŻENIE!**

**STRUG ELEKTRYCZNY, szczególne wskazówki dotyczące bezpiecznego użytkowania urządzenia:**

- a) Przed odłożeniem elektronarzędzia należy odczekać do całkowitego zatrzymania wału nożowego. Odslonięty wał nożowy mógłby zaczepić o powierzchnię, spowodować utratę kontroli nad narzędziem i doprowadzić do ciężkich obrażeń.
- b) Nie wkładać rąk do wyrzutnika wiórów. Istnieje niebezpieczeństwo skażenia przez obracające się elementy.
- c) Elektronarzędzie uruchomić przed zetknięciem freza z materiałem. W przeciwnym wypadku istnieje niebezpieczeństwo odrzutu, gdy użyte narzędzie zablokuje się w obrabianym przedmiocie.
- d) Podczas obróbki strug należy trzymać w taki sposób, aby podstawa struga przylegała płasko do obrabianego materiału. W przeciwnym wypadku strug mógłby się przechylić podczas zagłębiania się w materiale i spowodować obrażenia.
- e) Nie należy nigdy obrabiać materiału, w którym znajdują się przedmioty metalowe, gwoździe lub śruby. Może to spowodować uszkodzenie noża i wału nożowego, a także zwiększenie poziomu drgań.
- f) Należy zabezpieczyć obrabiany przedmiot. Zamocowanie obrabianego przedmiotu w urządzeniu mocującym lub imadle jest bezpieczniejsze niż trzymanie go w ręku.
- g) Nie wolno używać elektronarzędzia z uszkodzonym przewodem zasilającym. Nie należy dotykać uszkodzonego przewodu; w przypadku uszkodzenia przewodu zasilającego podczas pracy, należy wyciągnąć wtyczkę z gniazda. Uszkodzone przewody podwyższają ryzyko porażenia prądem.

**UWAGA!** Jeżeli przewód zasilający nieodłącznie ulegnie uszkodzeniu, to powinien on być zastąpiony specjalnym przewodem lub zespołem dostępnym u wytwórcy lub w specjalistycznym zakładzie naprawczym.

**PRZEZNACZENIE I BUDOWA STRUGA ELEKTRYCZNEGO:**

Strug elektryczny jest narzędziem do ręcznego strugania, fazowania krawędzi, felcowania (strugania wręgów) w drewnie i materiałach drewnopochodnych. Jest urządzeniem w drugiej klasie ochronności (podwójna izolacja) i jest napędzany silnikiem jednofazowym.

Kategorycznie wyklucza się wykorzystanie urządzenia do wszelkich innych celów.

Nie stosować struga jako urządzenia stacjonarnego.

Nie wolno wykorzystywać narzędzia do wykonywania prac wymagających zastosowania profesjonalnego urządzenia.

### Umowa gwarancyjna nie obowiązuje, gdy urządzenie było stosowane w zakładach rzemieślniczych, przemysłowych lub do podobnych działalności.

Każde użycie struga niezgodne z przeznaczeniem podanym wyżej jest zabronione i powoduje utratę gwarancji oraz brak odpowiedzialności producenta za powstałe w wyniku tego szkody. Jakikolwiek modyfikacje urządzenia dokonane przez użytkownika zwalniają producenta z odpowiedzialności za uszkodzenia i szkody wyrządzone użytkownikowi i otoczeniu. Poprawne użytkowanie struga dotyczy także konserwacji, składowania, transportu i napraw. Strug może być naprawiany wyłącznie w punktach serwisowych wyznaczonych przez producenta. Strug zasilany z sieci powinien być naprawiany tylko przez osoby uprawnione. Strug powinien być użytkowany, obsługiwany i naprawiany wyłącznie przez osoby zaznajomione z jego szczególnymi charakterystykami i zapoznane z zasadami postępowania w zakresie bezpieczeństwa. Przepisy dotyczące zapobiegania wypadkom, oraz wszystkie podstawowe przepisy w zakresie bezpieczeństwa i higieny pracy powinny być zawsze przestrzegane.

Pomimo zgodnego z przeznaczeniem zastosowania nie można całkowicie wyeliminować określonych czynników ryzyka resztkowego. Ze względu na konstrukcję i budowę maszyny mogą wystąpić następujące zagrożenia:

- Obrażenia ciała wskutek dotknięcia obracających się, ruchomych elementów;
- Odrzucenie przedmiotu obrabianego lub części przedmiotu obrabianego;
- Uszkodzenia słuchu w wypadku niestosowania koniecznej ochrony słuchu;
- Szkodliwe dla zdrowia emisje pyłów drzewnych w przypadku wykonywania prac w zamkniętych pomieszczeniach;
- Narażenie zdrowia przy dłuższym używaniu elektronarzędzia. W takich sytuacjach rób regularne przerwy w pracy;
- Skaleczenia doznane przy wymianie elementów, noży i akcesoriów.

#### ■ Kompletacja

- Strug elektryczny - 1 szt.
- Prowadnica strugania równoległego - 1 szt.
- Kątownik do mocowania prowadnicy - 1 szt.
- Śruba mocująca kątownika - 1 szt.
- Śruba mocująca prowadnicę do kątownika - 1 szt.
- Podkładka - 1 szt.
- Nakrętka mocująca prowadnicę do kątownika - 1 szt.
- Ogranicznik głębokości wręgowania - 1 szt.
- Śruba mocująca ogranicznika głębokości wręgowania - 1 szt.
- Worek na wióry - 1 szt.
- Schowek na klucze - 1 szt.
- Klucz M8 - 1 szt.
- Klucz imbusowy - 1 szt.
- Zapasowy pasek napędowy - 1 szt.
- Instrukcja obsługi - 1 szt.
- Karta gwarancyjna - 1 szt.

#### ■ Elementy urządzenia:

Numeracja elementów urządzenia odnosi się do przedstawienia graficznego umieszczonego na stronach 2-4 instrukcji obsługi:

**Rys. A:** 1. Skala głębokości strugania

2. Pokrętło regulacji głębokości strugania
3. Dysza wyrzutnika wiórow
4. Rekojęść
5. Przycisk bezpieczeństwa
6. Włącznik
7. Otwór do wkładania schowka
8. Osłona paska napędowego
9. Otwór do mocowania prowadnicy równoległej
10. Worek na wióry
11. Ogranicznik głębokości wręgowania
12. Śruba mocująca ogranicznika głębokości wręgowania
13. Kątownik do mocowania prowadnicy
14. Śruba mocująca prowadnicę do kątownika
15. Śruba mocująca kątownika
16. Podkładka
17. Nakrętka mocująca prowadnicę strugania równoległego do kątownika
18. Schowek na klucze
19. Klucz M8
20. Klucz imbusowy
21. Prowadnica strugania równoległego
22. Pasek napędowy

**Rys. D:** 23. Rowek typu V do fazowania krawędzi

**Rys. H:** 24. Śruby do ustawienia wysokości noża

25. Nóż dwustronny
26. Tylna część płyty podstawowej
27. Śruby uchwyty noża
28. Płytki dociskowa
29. Ochronna osłona wahadłowa
30. Uchwyt noża
31. Wałek strugający
32. Przednia część płyty podstawowej

**Rys. J:** 33. Śruby mocujące osłonę paska napędowego

#### DANE TECHNICZNE:

Napięcie znamionowe	230-240 V
Częstotliwość znamionowa	50 Hz
Moc znamionowa	900 W
Prędkość obrotowa bez obciążenia	16000 /min
Szerokość strugania	82 mm
Głębokość strugania	0-3 mm
Klasa narzędzia	II
Waga	2,9 kg
Poziom ciśnienia akustycznego LpA (K=±3dB(A))	91,2 dB(A)
Poziom mocy akustycznej LwA (K=±3dB(A))	102,2 dB(A)
Poziom vibracji wg normy EN 60745-1:2009 (tolerancja pomiaru K=1,5 m/s <sup>2</sup> )	4,13 m/s <sup>2</sup>

Podany poziom drgań jest reprezentatywny dla podstawowych zastosowań elektronarzędzia. Jeżeli elektronarzędzie użyte zostanie do innych zastosowań lub z innymi narzędziami roboczymi, a także jeśli nie będzie wystarczająco konserwowane, poziom vibracji może odbiegać od podanego. Podane powyżej przyczyny mogą spowodować podwyższenie ekspozycji na vibrację podczas całego czasu pracy. Należy wprowadzić dodatkowe środki bezpieczeństwa, mające na celu ochronę

operatora przed skutkami ekspozycji na wibracje, np.: konserwacja elektronarzędzia i narzędzi roboczych, zabezpieczenie odpowiedniej temperatury rąk, ustalenie kolejności operacji roboczych.

#### **PRZED PRZYSTĄPIENIEM DO PRACY:**

1. Sprawdzić przed podłączeniem maszyny, czy dane na tabliczce znamionowej zgadzają się z parametrami sieci zasilającej.
2. Upewnić się że włącznik struga (6) jest w pozycji wyłączenia i przycisk bezpieczeństwa (5) jest zwolniony.
3. Przed przystąpieniem do pracy należy sprawdzić wyregulowanie i pewność mocowania noży skrawających (patrz: «Wymiana noży»), oraz skontrolować, czy ruchome części urządzenia funkcjonują prawidłowo i nie są zablokowane, nie są pęknięte lub uszkodzone, co mogłoby mieć wpływ na prawidłowe funkcjonowanie urządzenia. Uszkodzone narzędzie należy przed użyciem oddać do naprawy.
4. W przypadku gdy miejsce pracy jest oddalone od gniazdka, należy użyć przedłużacza o odpowiednim przekroju przewodu, dostosowanego do wielkości pobieranego prądu. Zaleca się stosowanie jak najkrótszych przedłużaczy. Przedłużacz powinien być całkowicie rozwinięty.

**UWAGA:** Przy struganiu należy używać ochrony górnych dróg oddechowych (maski przeciwpyłowe). Ze względów zdrowotnych należy również w trakcie pracy zawsze stosować worek na wióry lub odkurzacz jako system odciążu pyłu. Odkurzacz musi być dopasowany do pochłaniania pyłów lub strużyn z obrabianych materiałów. Rurę ssącą odkurzacza należy podłączyć bezpośrednio do dyszy wyrzutnika wiórów (3). NIE NALEŻY OBRABIAĆ MATERIAŁU ZAWIERAJĄCEGO AZBEST.

#### **■ Montaż worka na wióry**

Włóż króciec worka na wióry (10) w dyszę wyrzutnika wiórów (3) najgłębiej jak to możliwe (patrz rys. B, str. 2).

**UWAGA:** Należy regularnie opróżniać worek na wióry. Zdjąć worek, otworzyć zamek błyskawiczny i opróżnić go.

**Nie wkładać palców do dyszy wyrzutnika wiórów!** W przypadku niedrożności dyszy wyrzutnika wiórów, odłączyć zasilanie i usunąć wióry drewnianym patyczkiem lub sprężonym powietrzem.

#### **■ Ustawianie głębokości strugania** (patrz rys. C, str. 2)

Za pomocą pokrętki regulacji głębokości strugania (2) możliwe jest stopniowe nastawienie głębokości strugania od 0 do 3,0 mm na podstawie skali (1) (podziałka skali = 0,5 mm):

- obracanie przeciwnie do ruchu wskazówek zegara zmniejsza głębokość strugania,
- obracanie w kierunku ruchu wskazówek zegara zwiększa głębokość strugania.

#### **W TRAKCIE PRACY:**

##### **■ Włączanie/wyłączenie**

- Urządzenie posiada przycisk bezpieczeństwa (5), który zapobiega przypadkowemu włączeniu struga. Aby uruchomić strug należy najpierw wcisnąć przycisk bezpieczeństwa, a następnie wcisnąć włącznik struga (6) i trzymać go w tej pozycji. Ze względów bezpieczeństwa nie jest możliwe zablokowania włącznika w trakcie pracy.
- W celu wyłączenia urządzenia zwolnić przycisk włącznika (6).

##### **■ Struganie powierzchni**

Ustawić żądaną głębokość strugania i przyłożyć urządzenie przednią

częścią płyty podstawowej (32) na obrabianym przedmiocie.

**UWAGA:** Niebezpieczeństwo odrzutu! Struganie rozpoczynać po osiągnięciu maksymalnych obrotów przez wałek strugający.

Włączyć urządzenie i prowadzić obróbkę, równomiernie przesuwając nim po całej obrabianej powierzchni, przy czym przednia i tylna części płyty podstawowej muszą całkowicie przylegać do obrabianego przedmiotu.

**UWAGA:** Przewód zasilający powinien stale znajdować się w bezpiecznej odległości od wirującej części elektronarzędzia. Należy go zawsze prowadzić tyłu elektronarzędzia.

Aby uzyskać wysoką jakość obróbki, należy zachować jedynie lekkie posuw, starając się przy tym wyśrodkować nacisk na podstawę struga. Do obróbki twardych materiałów, np. twardego drewna, a także przy wykorzystaniu maksymalnej szerokości strugania, należy ustawić jedynie niewielką głębokość strugania i w razie potrzeby zmniejszyć posuw struga.

Zbyt duży posuw zmniejsza jakość obróbki powierzchni i może prowadzić do przecięcia maszyny i szybkiego zatkania się wyrzutnika wiórów.

W celu obrabiania końcowego powierzchni ustawić niewielką głębokość skrawania, powierzchnię wielokrotnie obrabiać.

**UWAGA:** W przypadku zablokowania wałka strugającego (31) należy natychmiast odłączyć narzędzie od źródła zasilania usunąć element blokujący, sprawdzić stan noży. Nie używać urządzenia z uszkodzonymi częściami.

##### **■ Fazowanie krawędzi** (patrz rys. D, str. 3)

Szybkie i proste fazowanie krawędzi pod kątem 45° możliwe jest dzięki dopasowanemu do przedniej części płyty głównej rowkowi typu V (23). Strug nasadzić rowkiem na daną krawędź i prowadzić wzdłuż po jej powierzchni, przy czym zwrócić uwagę na równomierne przesuwanie i jednakowe położenie kąta.

**UWAGA:** Tylko ostre noże gwarantują dobrą jakość obróbki i zapobiegają uszkodzeniom elektronarzędzia.

##### **■ Struganie przy użyciu prowadnicy równoległej**

Struganie wcięć ułatwia stosowanie prowadnicy strugania równoległego (21), którą należy zamontować na elektronarzędziu za pomocą kątownika (13) zgodnie z rysunkiem E na str. 3. Dodatkowo w razie potrzeby można zamontować ogranicznik głębokości wregowania (11).

W celu ustawienia potrzebnej szerokości wregowania należy zwolnić nakrętkę (17), przesunąć prowadnicę odnośnie kątownika na pożądaną wymiar i ponownie dokręcić nakrętkę (17).

Zwolnić śrubę (12) i ustawić pożądaną głębokość wregowania za pomocą ogranicznika głębokości (11) (patrz rys. F).

Dokonać kilkakrotnie procesu obróbki, aż do osiągnięcia pożądanego głębokości wregu. Strug należy prowadzić, wywierając nacisk z boku (patrz rys. G).

##### **WYMIANA NOŻY:**



**UWAGA!** Przed rozpoczęciem dowolnych prac związanych z obsługą oraz przygotowaniem urządzenia do pracy, należy upewnić się czy narzędzie jest odłączone od sieci elektrycznej.

Strug został wyposażony w dwa noże obrabiane wykonane ze stopu twardego. Noże posiadają dwa ostrza i mogą być stosowane dwustronnie. Dzięki rowkowi prowadzącemu noży gwarantowane jest ustawienie tej samej wysokości.

**UWAGA:** Noży ze stopu twardego nie wolno ostrzyć! Wymienić zużyte, tępe i uszkodzone noże na nowe. Należy stosować noże typu **Centrolock HM** o wymiarach 6x1x82 mm.

**OSTRZEŻENIE:** Przy wymianie noża zakładać rękawice ochronne i zachować ostrożność. Nie chwytaj noża za ostrze. Istnieje niebezpieczeństwo skaleczenia się o krawędzie tnące.

#### ■ Demontaż noża (patrz rys. H, str. 4)

Aby obrócić lub wymienić nóż (25), należy:

- przekręcić wałek strugający (31) tak, by mieć dostęp do śrub uchwyty noża (27);
- oczyścić uchwyt noża (30);
- poluzować trzy śruby uchwyty noża (27) na wałku strugającym (31) za pomocą załączonego w schowku (18) klucza płaskiego M8 (19);
- wypchnąć nóż z wałka posługując się drewnianym elementem.

#### ■ Montaż noża

Przed założeniem nowego noża dokładnie wyczyścić jego osadzenie. Nowy nóż wsunąć między uchwyt (30) a płytkę dociskową (28).

**UWAGA:** W płytce dociskowej są wykonane wgłębienia pozycjonujące nóż względem uchwyty. Należy sprawdzić czy nóż i płytka precyzyjnie przylegają do uchwyty noża i linia ostra jest idealnie równoległa z powierzchnią wałka. Przy prawidłowym ustawieniu noży, linia ostra powinna idealnie zgrzywać się z tylną częścią płyty podstawowej (25) (patrz rys. I, str. 4). W razie potrzeby należy wyregulować ustawienie za pomocą klucza imbusowego (20), obracając nim śruby do ustawienia wysokości uchwyty noża (24).

Upewnić się, że położenie noża jest prawidłowe w stosunku do obu końców wału i dokręcić mocno trzy śruby mocujące (27).

**UWAGA:** Noże zawsze należy wymieniać parami, o jednakowych parametrach. Zapewni to wyważenie wirującego wałka.

Przed ponownym rozruchem sprawdzić, czy śruby (27) są właściwie dociągnięte. Obrócić ręcznie wałek strugający (31) i upewnić się, że nóż o nic nie ociera.

#### ■ Wymiana paska napędowego

Aby wymienić pasek napędowy (22), należy:

- odkręcić za pomocą wkrętaka krzyżowego trzy śruby mocujące osłonę paska napędowego (33) i zdjąć osłonę (8) (patrz rys. J, str. 4);
- zdjąć uszkodzony pasek (22) napędowy (patrz rys. K, str. 4);
- oczyścić koła pasowe napędu pędzelnikiem;
- ułożyć nowy pasek napędowy w rowkach mniejszego koła pasowego a następnie przez obracanie, nałożyć na koło większe.
- nałożyć osłonę paska i przymocować za pomocą śrub.

#### PRZECHOWYWANIE I KONSERWACJA:

Maszyna w zasadzie nie wymaga specjalnych zabiegów konserwacyjnych. Maszynę należy przechowywać w miejscu, niedostępnym dla dzieci, utrzymywać w stanie czystości, chronić przed wilgocią i zapyleniem. Warunki przechowywania powinny wykluczać możliwość uszkodzeń mechanicznych oraz wpływ czynników atmosferycznych.

Po pracy zaleca się oczyszczenie urządzenia z wirów i pyłu. Zaleca się przedmuchiwanie sprężonym powietrzem otworów wentylacyjnych –

zapobiegnie to wczesnemu zużyciu się łożysk i usunie pył blokujący dopływ powietrza chłodzącego silnik.

Urządzenie wycierać czystą wilgotną ściereczką, z niewielką ilością mydła. Nie używać żadnych środków czyszczących ani rozpuszczalników; mogą one uszkodzić części urządzenia wykonane z tworzywa sztucznego. Należy uważać, aby do wnętrza urządzenia nie dostała się woda.

Osprzęt tnący należy utrzymywać ostry i czysty.

#### TRANSPORT:

Urządzenie transportować i składować w opakowaniu, chroniącym przed wilgocią, wnikaniem pyłu i drobnych obiektów, zwłaszcza należy zabezpieczyć otwory wentylacyjne. Drobne elementy, które dostaną się wewnątrz obudowy mogą uszkodzić silnik.

#### OCHRONA ŚRODOWISKA:



**UWAGA:** Przedstawiony symbol oznacza zakaz umieszczenia zużytego sprzętu łącznie z innymi odpadami (z zagrożeniem karą grzywny). Składniki niebezpieczne znajdujące się w sprzęcie elektrycznym i elektronicznym wpływają negatywnie na środowisko naturalne i zdrowie ludzi.

Gospodarstwo domowe powinno przyczyniać się do odzysku i ponownego użycia (recyklingu) zużytego sprzętu. W Polsce i w Europie tworzony jest lub już istnieje system zbierania zużytego sprzętu, w ramach którego wszystkie punkty sprzedaży ww. sprzętu mają obowiązek przyjmować zużyty sprzęt. Ponadto istnieją punkty zbiórki ww. sprzętu.

#### PRODUCENT:

PROFIX Sp. z o.o.,  
ul. Marywińska 34, 03-228 Warszawa

Niniejsze urządzenie jest zgodne z normami krajowymi i europejskimi, oraz z wytycznymi bezpieczeństwa.

**UWAGA:** Wszelkie naprawy muszą być przeprowadzane przez wykwalifikowany personel, używając oryginalnych części zamiennych.

#### PIKTOGRAMY:

Objaśnienia ikonek znajdujących się na tabliczce znamionowej i naklejkach informacyjnych na urządzeniu.



— **«Przed uruchomieniem przeczytać instrukcję obsługi!»**



— **«Zawsze stosować okulary ochronne»**



— **«Stosować środki ochrony słuchu»**



— **«Stosować maskę przeciwpyłową»**



**Polityka firmy PROFIX jest polityką stałego udoskonalania swoich produktów i dlatego firma rezerwuje sobie prawo zmiany specyfikacji wyrobu bez uprzedniego zawiadomienia. Obrazki, podane w instrukcji obsługi, są przykładowe i mogą się nieznacznie różnić od rzeczywistego wyglądu zakupionego urządzenia.**

**TYPOWE USTERKI I ICH USUWANIE:**

PROBLEM	MOŻLIWA PRZYCZYNA	ROZWIĄZANIE PROBLEMU
Strug nie działa.	Brak zasilania, uszkodzenie silnika lub włącznika.	Sprawdzić czy przewód zasilający jest prawidłowo podłączony oraz skontrolować bezpieczniki. Jeżeli elektronarzędzie nie działa, pomimo że jest zasilane napięciem, należy je wysłać do serwisu naprawczego na adres podany w karcie gwarancyjnej.
Zakłócenia w pracy silnika.	Zużyte szczotki węglowe.	Wymienić szczotki węglowe w serwisie naprawczym.
Wałek strugający nie obraca się.	Uszkodzony pasek napędowy.	Wymienić pasek (patrz: «Wymiana paska napędowego»)



Niniejsza instrukcja jest chroniona prawem autorskim. Kopiowanie/ powielanie jej bez pisemnej zgody firmy Profix Sp. z o.o. jest zabronione.



**ПЕРЕД НАЧАЛОМ ЭКСПЛУАТАЦИИ НЕОБХОДИМО ОЗНАКОМИТЬСЯ С НАСТОЯЩЕЙ ИНСТРУКЦИЕЙ.**

Хранить инструкцию для возможного применения в будущем.



**ПРЕДУПРЕЖДЕНИЕ!** Необходимо ознакомиться со всеми предупреждениями, касающимися безопасности при эксплуатации, обозначенными символом ⚠ и всеми указаниями по технике безопасности.

Несоблюдение указанных ниже предупреждений, касающихся безопасности и указаний по технике безопасности может привести к поражению электрическим током, пожару и/или серьёзным травмам тела.

**Необходимо хранить все предупреждения и указания, касающиеся техники безопасности, чтобы можно было воспользоваться ними в будущем.**

В указанных ниже предупреждениях слово „электроинструмент“ означает электроинструмент с питанием от сети (посредством электрического кабеля) или электроинструмент, питаемый от аккумулятора (беспроводное питание).



**ПРЕДУПРЕЖДЕНИЕ!** Общие предупреждения, касающиеся безопасности при эксплуатации инструмента.

#### Техника безопасности на рабочем месте:

- a) Необходимо поддерживать порядок и хорошее освещение на рабочем месте. Беспорядок и плохое освещение являются причиной несчастных случаев.
- б) На следует использовать электроинструмент во взрывоопасной среде, образующейся легко воспламеняющимися жидкостями, газами или пылью. Электроинструмент создаёт искры, которые могут привести к воспламенению пыли или испарений.
- в) Не допускать детей и наблюдателей в места, в которых применяются электроинструменты. Отвлечение внимания может привести к потере контроля над электроинструментом.



**ПРЕДУПРЕЖДЕНИЕ!** Общие предупреждения, касающиеся безопасности при эксплуатации инструмента.

#### Электробезопасность:

- a) Штепсельные вилки должны соответствовать сетевым розеткам. Ни в коем случае не переделывать каким-либо образом штепсельную вилку. Не применять каких-либо удлинителей электропитания в случае использования электроинструментов, имеющих провод электропитания с защитным заземляющим проводником. Отсутствие переделок штепсельных розеток и сетевых розеток снижает опасность поражения электрическим током.
- б) Необходимо избегать прикосновения к поверхности заземлённых или закороченных на массу элементов,

таких как трубы, нагреватели, радиаторы центрального отопления и холодильные агрегаты. В случае прикосновения заземлённого или закороченного на массу элемента увеличивается опасность поражения электрическим током.

- в) Не подвергать электроинструменты воздействию дождя или влажных условий. В случае попадания в электроинструмент воды увеличивается опасность поражения электрическим током.
- г) Не создавать опасности повреждения кабеля электропитания. Ни в коем случае не использовать кабеля электропитания, чтобы переносить или тянуть электроинструмент или для извлечения штепсельной вилки из розетки. Кабель электропитания должен находится вдали от источников тепла, масел, острых краёв и движущихся частей. Повреждённые или запутанные кабели электропитания увеличивают опасность поражения электрическим током.
- д) Если электроинструмент эксплуатируется на свежем воздухе, следует использовать удлинители кабеля электропитания, предназначенные для работы вне помещений. Использование удлинителя кабеля электропитания, предназначенного для работы вне помещений, снижает опасность поражения электрическим током.
- е) Если эксплуатация электроинструмента во влажной среде неизбежна, в качестве защиты от напряжения питания необходимо использовать защитное устройство по разностному току (RCD). Применение защитного устройства по разностному току снижает опасность поражения электрическим током.



**ПРЕДУПРЕЖДЕНИЕ!** Общие предупреждения, касающиеся безопасности при эксплуатации инструмента.

#### Индивидуальная безопасность:

- a) Настоящее оборудование не предназначено для эксплуатации лицами (включая детей) с физическими, сенсорными или умственными ограничениями или лицами, не имеющими опыта или не знающими оборудования, разве что это осуществляется под надзором или в соответствии с инструкцией по эксплуатации оборудования, переданной лицами, отвечающими за их безопасность.
- б) Необходимо быть предусмотрительным, наблюдать за работой и руководствоваться здравым смыслом во время эксплуатации электроинструмента. Не следует эксплуатировать электроинструмент в состоянии переутомления или находясь под действием наркотиков, алкоголя или лекарств. Мгновение невнимания во время эксплуатации электроинструмента может быть причиной травмы пользователя.
- в) Необходимо применять средства личной защиты.



**Необходимо обязательно работать с защитными очками.** Применение в соответствующих условиях средств личной защиты, таких как противопыльный респиратор, противоскользкая обувь, каска или средства защиты слуха снизит риск получения травмы.

- г) **Необходимо избегать случайного запуска в работу.** Прежде чем вставить вилку электропитания в сетевую розетку или подключить аккумулятор, а также перед тем, как поднять или перенести электроинструмент, необходимо убедиться, что включатель электроинструмента находится в положении «выключено». Перенос электроинструмента с пальцем на выключателе или подключение электроинструмента к сети питания при включенном выключателе может привести к несчастному случаю.
- д) **Прежде, чем запустить электроинструмент в работу, необходимо устранить все ключи.** Ключ, оставшийся во вращающейся части электроинструмента, может привести к травме пользователя.
- е) **Не следует слишком сильно наклоняться.** Необходимо всё время сохранять устойчивость и равновесие. Это позволяет лучше контролировать электроинструмент в неожиданных ситуациях.
- ж) **Необходимо иметь соответствующую одежду.** Не работать в свободной одежде или с бижутерией. Необходимо, чтобы волосы пользователя, его одежда и рукавицы находились вдали от движущихся элементов. Свободная одежда, бижутерия или длинные волосы могут быть зацеплены движущимися частями.
- з) **Если оборудование приспособлено для присоединения внешнего пылеотвода (пылеулавливающего устройства) и поглотителя пыли, необходимо убедиться, что они присоединены и правильно применяются.** Применение поглотителей пыли может уменьшить опасность, связанную с запыленностью.



**ПРЕДУПРЕЖДЕНИЕ!** Общие предупреждения, касающиеся безопасности при эксплуатации инструмента.

#### Эксплуатация и уход за электроинструментом:

- а) **Не допускать перегрузки электроинструмента.** Применять электроинструмент с мощностью, соответствующей выполняемой работе. *Належащий электроинструмент позволит лучше и безопаснее работать при нагрузке, на которую он рассчитан.*
- б) **Не следует применять электроинструмент, если его выключатель не включается и не выключается.** *Каждый электроинструмент, который не может включаться или выключаться выключателем, представляет опасность и должен быть передан на ремонт.*
- в) **Необходимо отсоединить штепсельную вилку от источника питания электроинструмента и/или отсоединить аккумулятор прежде чем выполнить какую-либо установку, замену части или складирование устройства.** Такие предупредительные меры безопасности

снижают риск случайного запуска электроинструмента в работу.

- г) **Неиспользуемый электроинструмент следует хранить в недоступном для детей месте и не разрешать тем, кто незнаком с электроинструментом или настоящей инструкцией, пользоваться электроинструментом.** *Электроинструмент опасен в руках необученных пользователей.*
- д) **Следует выполнять технический уход за электроинструментом.** Необходимо проверить соосность или отсутствие заедания (защемления) подвижных элементов, трещин частей, а также все другие факторы, могущие влиять на работу электроинструмента. В случае обнаружения неисправности, необходимо выполнить ремонт электроинструмента. *Причиной многих несчастных случаев является непрофессиональный способ выполнения технического ухода.*
- е) **Режущий инструмент должен быть острым и чистым.** *Соответствующее содержание и уход за острыми кромками режущего инструмента снижает вероятность заземления и упрощает обслуживание.*
- ж) **Электроинструмент, оснащение, рабочие инструменты и т. п. необходимо применять в соответствии с настоящей инструкцией, учитывая рабочие условия и вид выполняемой работы.** *Применение электроинструмента не по назначению может привести к опасным ситуациям.*
- з) **При низкой температуре или после длительного перерыва в эксплуатации рекомендуется включение электроинструмента без нагрузки на несколько минут с целью распределения смазки в механизме привода.**
- и) **Для чистки электроинструмента применять мягкую, влажную (не мокрую) тряпку и мыло.** Не применять бензина, растворителей и других средств, могущих повредить конструкцию.
- й) **Электроинструмент следует хранить/транспортировать, убедившись, что все его подвижные элементы заблокированы и защищены от разблокировки при помощи оригинальных элементов, предназначенных для этой цели.**

- к) **Электроинструмент должен храниться в сухом месте и быть защищенным от пыли и проникания влаги.**
- л) **Транспортировку электроинструмента необходимо выполнять в оригинальной упаковке, защищающей от механических повреждений.**



**ПРЕДУПРЕЖДЕНИЕ!** Общие предупреждения, касающиеся безопасности при эксплуатации инструмента.

#### **Ремонт:**

- а) **Ремонт электроинструмента необходимо поручать исключительно квалифицированному лицу, использующему только оригинальные запасные части.** *Это гарантирует безопасность дальнейшей эксплуатации электроинструмента.*



## ПРЕДУПРЕЖДЕНИЕ!

### ЭЛЕКТРОРУБАНОК, особые указания по безопасной эксплуатации устройства:

- а) Не откладывать электроинструмент, пока ножевой вал полностью не остановится. Открытый (незащищённый) ножевой вал может зацепить поверхность, привести к потере контроля над инструментом и привести к тяжёлым травмам.
- б) Не вкладывать рук в стружкоотвод. Существует опасность ранения вращающимися элементами.
- в) Электроинструмент запускать в работу перед тем, как фреза соприкоснётся с материалом. В противоположном случае имеется опасность отброса, поскольку наступит блокировка применяемого инструмента в обрабатываемом предмете.
- г) Во время обработки следует держать электрорубанок таким образом, чтобы основание строгальной машины плоско прилегло к поверхности обрабатываемого материала. В противоположном случае во время углубления в материале может произойти перекос (наклон) электрорубанка, а это может привести к травме.
- д) Ни в коем случае не обрабатывать материал, в котором имеются металлические предметы, гвозди или винты. Это может привести к повреждению ножа и ножевого вала, а также повышению уровня вибрации.
- е) Необходимо закрепить обрабатываемый предмет. Проверить, все ли крепящие зажимы зажаты и убедиться, что нет слишком большого зазора. Закрепление обрабатываемого предмета в крепящем устройстве или тисках более безопасно, чем удерживание его рукой.
- е) Запрещено эксплуатировать электроинструменты с повреждённым кабелем электропитания. Не прикасаться к повреждённому кабелю электропитания. В случае повреждения кабеля электропитания во время работы, необходимо извлечь штепсельную вилку из розетки. Повреждённые провода увеличивают опасность поражения электрическим током.

**ВНИМАНИЕ!** Если неотсоединяемый кабель электропитания будет повреждён, необходимо заменить его специальным кабелем или блоком на предприятии-изготовителе или специализированном ремонтном предприятии.

### **ПРЕДНАЗНАЧЕНИЕ И КОНСТРУКЦИЯ ЭЛЕКТРОРУБАНКА:**

Электрорубанок является инструментом для ручного строгания, снятия фасок с краёв элементов из древесины и древопроизводных материалов, фальцевания (строгания шангоутов). Имеет второй класс электрической защиты (двойная изоляция) и приводится в движение однофазным двигателем.

Категорически запрещено применять данный электроинструмент для каких-либо других целей.

Не применять электрорубанок в качестве стационарного устройства.

Запрещено применять электроинструмент для работ, требующих применения профессиональных инструментов. Гарантийный договор не действителен, если электроинструмент использовался на ремесленных, промышленных предприятиях или предприятиях с подобной

### **деятельностью.**

Даже применяя электроинструмент по назначению, нельзя полностью исключить определённых факторов остаточного риска. С учётом конструкции электроинструмента, могут иметь место следующие опасности:

- Травмирование в результате прикосновения к вращающимся деталям / подвижным элементам;
- Отбрасывание обрабатываемого предмета или его части;
- Ухудшение слуха в результате неприменения необходимых средств защиты слуха;
- Вредное для здоровья выделение древесной пыли при выполнении работ в закрытых помещениях;
- Вредное для здоровья вибрационное воздействие при продолжительном использовании. В таких ситуациях необходимо делать регулярные перерывы в работе.
- Травмирование при замене элементов, ножей и аксессуаров.

### ■ Состав комплекта

- Электрорубанок - 1 шт.
- Направляющая шина для параллельного строгания - 1 шт.
- Угольник для крепления направляющей рейки - 1 шт.
- Винт крепления угольника - 1 шт.
- Винт крепления направляющей рейки к угольнику - 1 шт.
- Шайба - 1 шт.
- Гайка крепящая направляющую шину к угольнику - 1 шт.
- Ограничитель глубины фальцевания - 1 шт.
- Крепящий винт ограничителя глубины фальцевания - 1 шт.
- Мешок для сбора стружек - 1 шт.
- Пенал для ключей - 1 шт.
- Ключ М8 - 1 шт.
- Ключ шестигранный - 1 шт.
- Запасной приводной ремень - 1 шт.
- Инструкция по обслуживанию - 1 шт.
- Гарантийная карта - 1 шт.

### ■ Элементы устройства

Нумерация элементов устройства относится к изображению, имеющемуся на страницах 2-4 инструкции по эксплуатации:

- Рис. А:**
1. Шкала регулировки глубины строгания
  2. Ручка регулировки глубины строгания
  3. Сопло стружкоотвода
  4. Рукоятка
  5. Кнопка безопасности
  6. Включатель
  7. Отверстие для вкладывания контейнера для ключей
  8. Защитный кожух приводного ремня
  9. Отверстие для крепления направляющей шины
  10. Мешок для сбора стружек
  11. Ограничитель глубины фальцевания
  12. Крепящий винт ограничителя глубины фальцевания
  13. Угольник для крепления направляющей шины
  14. Винт крепления направляющей шины к угольнику
  15. Винт крепления угольника
  16. Шайба
  17. Гайка крепящая направляющую шину к угольнику
  18. Пенал для ключей
  19. Ключ М8

- 20. Ключ шестигранный
- 21. Направляющая шина для параллельного строгания
- 22. Приводной ремень

**Рис. D: 23.** V-образный паз для снятия фасок с кромок

**Рис. H: 24.** Винты установки высоты ножа

- 25. Нож двухсторонний
- 26. Задняя часть пластины основания
- 27. Винты держателя ножа
- 28. Прижимная пластина
- 29. Защитный элемент маятниковый
- 30. Держатель ножа
- 31. Стругальный вал
- 32. Передняя часть пластины основания

**Рис. J: 33.** Винты крепления кожуха приводного ремня

#### ТЕХНИЧЕСКИЕ ПАРАМЕТРЫ:

Напряжение питания номинальное	230-240 В
Частота питания номинальная	50 Гц
Мощность номинальная	900 Вт
Частота вращения без нагрузки	16000 /мин
Ширина строгания	82 мм
Глубина строгания	0-3 мм
Класс оборудования	II
Вес	2,9 кг
Уровень звукового давления LpA (K=±3дБ(A))	91,2 дБ(A)
Уровень звуковой мощности LwA (K=±3дБ(A))	102,2 дБ(A)
Уровень вибрации согл. стандарта EN 60745-1:2009 (погрешность измерения K=1,5 м/с <sup>2</sup> )	4,13 м/с <sup>2</sup>

Указанный уровень вибрации соответствует основным применениям электроинструмента. Если электроинструмент будет использован для других применений или с другими рабочими инструментами, а также, если не будет выполнен соответствующий технический уход, уровень вибрации может отличаться от указанного. Указанные выше причины могут привести к усилению воздействия вибраций в течение всего времени работы.

Необходимо применять дополнительные меры безопасности с целью защиты оператора от воздействия вибрации, а именно: технический уход за электроинструментом и рабочими инструментами, обеспечение соответствующей температуры рук, определение очередности рабочих операций.

#### ПРЕЖДЕ ЧЕМ ПРИСТУПИТЬ К РАБОТЕ:

1. Перед подключением машины следует убедиться, что параметры сети питания соответствуют данным, указанным на щитке машины.
2. Убедиться, что выключатель электрорубанка (6) находится в положении «выключено» и кнопка безопасности (5) не нажата.
3. Прежде, чем приступить к работе, следует проверить регулировку и надёжность крепления режущих ножей (смотри: «Смена ножей»), а также проверить, правильно ли работают подвижные элементы устройства, проверить отсутствие их блокировки, наличие трещин или повреждений, так как это может иметь влияние на правильную работу электроинструмента. Прежде чем приступить к эксплуатации, необходимо передать повреждённый электроинструмент на

ремонт.

4. В случае работы в месте, удалённом от сетевой розетки, необходимо использовать удлинитель шнура электропитания, сечение проводов которого соответствует величине потребляемого тока. Рекомендуется применять максимально короткие удлинители электропитания. Удлинитель должен быть полностью размотан.

**ВНИМАНИЕ:** Во время строгания необходимо применять средства защиты верхних дыхательных путей (противоыльные респираторы). С целью защиты здоровья необходимо обязательно во время работы использовать мешок для сбора стружек или пылесос, как устройство для пылеотвода. Пылесос должен быть приспособлен для положения пыли и стружек из обрабатываемых материалов. Трубу всасывания пылесоса необходимо подключить непосредственно к соплу стружкоотвода (3). НЕ ОБРАБАТЫВАТЬ МАТЕРИАЛЫ, СОДЕРЖАЩИЕ АСБЕСТ.

#### ■ Установка мешка для сбора стружек

Вставить патрубок мешка для сбора стружек (10) максимально глубоко в сопло стружкоотвода (3) (см. рис. В, стр. 2).

**ВНИМАНИЕ:** Необходимо регулярно опорожнять мешок для сбора стружек. Снять мешок, открыть застёжку-молнию и опорожнить его.

**Не вкладывать пальцы в сопло стружкоотвода!** В случае необходимости (закупорки) сопла стружкоотвода, отключить электропитание и устранить стружки деревянной палочкой или сжатым воздухом.

#### ■ Установка глубины строгания (см. рис. С, стр. 2)

При помощи ручки регулировки глубины строгания (2) возможна установка глубины строгания от 0 до 3,0 мм при помощи шкалы (1) (деление шкалы = 0,5 мм):

- при вращении против часовой стрелки глубина строгания уменьшается,
- при вращении за часовой стрелкой глубина строгания увеличивается.

#### ВОВРЕМЯ РАБОТЫ:

##### ■ Включение / выключение

- Электроинструмент имеет кнопку безопасности (5), предохраняющую от случайного включения электрорубанка. Чтобы запустить электрорубанок в работу необходимо сначала нажать кнопку безопасности, а затем нажать выключатель электрорубанка (6) и удерживать его в нажатом положении. По соображениям безопасности нет возможности фиксации (во включённом состоянии) выключателя во время работы.
- Для выключения электроинструмента следует отпустить кнопку выключателя (6).

##### ■ Стругание поверхности

Установить заданную глубину строгания и приложить переднюю часть пластины основания электроинструмента (32) к обрабатываемому предмету.

**ВНИМАНИЕ:** Опасность отброса! Стругание начинать после достижения максимальной скорости вращения строгального вала. Включить электроинструмент и удерживая его двумя руками, равномерно перемещать вдоль обрабатываемой поверхности. При этом передняя и задняя часть пластины основания должны

полностью прилегать к обрабатываемому предмету.

**ВНИМАНИЕ:** Кабель электропитания должен постоянно находиться на безопасном расстоянии от вращающихся элементов электроинструмента. Он обязательно должен быть размещён позади электроинструмента.

Для получения высокого качества обработки, необходимо выполнять только небольшое перемещение (подачу), стараясь при этом центрировать нажим на основании электрорубанка.

При обработке твёрдых материалов, напр. твёрдой древесины, а также при использовании максимальной ширины строгания, необходимо установить только небольшую глубину строгания и в случае необходимости уменьшить подачу (перемещение) электрорубанка.

Слишком большое перемещение (подача) снижает качество обработки поверхности и может вести к перегрузке электроинструмента и быстрой закупорке стружкоотвода.

При финишной обработке поверхности, следует установить малую глубину строгания и выполнить обработку поверхности несколько раз.

**ВНИМАНИЕ:** В случае блокировки строгального вала (31) необходимо немедленно отключить электроинструмент от источника питания, устранить блокирующий элемент, проверить состояние ножей. Не эксплуатировать устройство, имеющее повреждённые элементы.

#### ■ Снятие фасок (смотри рис. D, стр. 3)

Быстрое и простое снятие фасок с краёв под углом 45° возможно благодаря V-образному пазу (23), приспособленному к передней части пластины основания. Надеть паз электрорубанка на данный край и вести вдоль его поверхности. При этом необходимо следить за равномерностью перемещения и одинаковым положением угла.

**ВНИМАНИЕ:** Только острые ножи могут обеспечить хорошее качество обработки и предотвратить повреждение электроинструмента.

#### ■ Строгание при помощи направляющей шины параллельного строгания

Чтобы упростить строгание врезов, следует применять направляющую шину для параллельного строгания (21), которую необходимо установить на электроинструменте при помощи угольника (13) в соответствии с рисунком E на стр. 3. Дополнительно, в случае необходимости, можно установить ограничитель глубины фальцевания (11).

Чтобы установить необходимую ширину фальцевания, необходимо ослабить гайку (17), переместить направляющую шину относительно угольника на необходимую величину и вновь завинтить гайку (17).

Ослабить винт (12) и установить желаемую глубину фальцевания при помощи ограничителя глубины (11) (см. рис. F).

Несколько раз повторить процесс обработки, пока не будет получена желаемая глубина шпангоута. Электрорубанок следует перемещать, нажимая сбоку (см. рис. G).

#### СМЕНА НОЖЕЙ:



**ВНИМАНИЕ!** Прежде чем приступить к каким-либо работам по техническому уходу или подготовке электроинструмента к работе, необходимо убедиться-

ся, что электроинструмент отключён от сети питания.

Электрорубанок оснащён двумя вращающимися ножами, изготовленными из твёрдого сплава. Ножи имеют два острия и могут применяться с обеих сторон. Благодаря пазу направляющему ножи, возможна гарантированная установка на одинаковой высоте.

**ВНИМАНИЕ:** Ножи из твёрдого сплава нельзя заточивать! Изношенные, тупые и повреждённые ножи необходимо заменять новыми. Следует применять ножи типа **Centrolock HM**, размером 6x1x82 мм

**ПРЕДУПРЕЖДЕНИЕ:** При смене ножа, следует надевать защитные рукавицы и соблюдать осторожность. Не брать нож за острие. Имеется опасность ранения режущими краями.

#### ■ Демонтаж ножа (см. рис. H, стр. 4)

Чтобы вернуть или сменить нож (25), необходимо:

- повернуть строгальный вал (31) так, чтобы получить доступ к винтам держателя ножа (27);
- очистить держатель ножа (30);
- освободить три винта держателя ножа (27) на строгальном вале (31), при помощи находящегося в пенале (18) плоского ключа M8 (19);
- вытолкнуть нож из вала, при помощи деревянного элемента.

#### ■ Установка ножа

Пред установкой нового ножа необходимо тщательно очистить место его посадки. Новый нож вставить между держателем (30) и прижимной пластиной (28).

**ВНИМАНИЕ:** В прижимной пластине имеются углубления, определяющие расположение ножа относительно держателя. Необходимо убедиться, что нож и пластина точно прилегают к держателю ножа, и линия острия расположена идеально параллельно к поверхности вала. При правильной установке ножей, линия острия должна идеально совпадать с задней частью пластины основания (25) (см. рис. I, стр. 3). При необходимости следует изменить установку, используя шестигранный ключ (20), вращая при его помощи винты, пока не будет установлена соответствующая высота держателя ножа (24).

Убедиться, что нож занимает правильное положение по отношению к концам вала и прочно затянуты три крепящих винта (27).

**ВНИМАНИЕ:** Ножи обязательно выменять только парами, имеющими одинаковые параметры. Это обеспечивает центровку вращающегося вала.

Перед повторным запуском в работу проверить надёжность затягивания винтов (27). Повернуть строгальный вал (31) и убедиться, что отсутствует трение ножа о что-либо.

#### ■ Смена приводного ремня

Для смены приводного ремня (22) необходимо:

- при помощи крестообразной отвёртки отвинтить три винта, крепящие защитный кожух приводного ремня (33) и снять защитный кожух (8) (см. рис. J, стр. 4);
- снять повреждённый приводной ремень (22) (см. рис. K, стр. 4);
- очистить кистью шкивы привода;
- надеть новый приводной ремень в пазах меньшего шкива привода, а затем поворачивая, надеть на больший шкив;
- надеть защитный кожух и прикрепить его винтами.

### ХРАНЕНИЕ И ТЕХНИЧЕСКИЙ УХОД:

Машина в принципе не требует специальных процедур по техническому уходу. Электроинструмент следует хранить в месте, недоступном для детей, содержать в чистоте, защищать от влаги и попадания пыли. Условия хранения должны исключать возможность механических повреждений и влияния атмосферных условий.

После окончания работы рекомендуется очистить электроинструмент от стружек и пыли. Рекомендуется выполнить продувку сжатым воздухом вентиляционных отверстий. Это предотвратит преждевременный износ подшипников и устранил пыль, блокирующую приток охлаждающего воздуха в электродвигатель.

Электроинструмент следует протирать влажной тряпкой, с небольшим количеством мыла. Не применять каких-либо чистящих средств или растворителей. Они могут повредить пластмассовые элементы электроинструмента. Необходимо следить, чтобы вовнутрь электроинструмента не попала вода.

### ТРАНСПОРТИРОВКА:

Электроинструмент транспортировать и хранить (складировать) в кейсе для транспортировки, защищающем от влаги, проникновения пыли и мелких объектов, особенно следует защитить вентиляционные отверстия. Мелкие элементы, попавшие вовнутрь корпуса, могут повредить электродвигатель.

### ЗАЩИТА ОКРУЖАЮЩЕЙ СРЕДЫ:



**ВНИМАНИЕ:** Указанный символ означает запрет размещения использованных электроинструментов вместе с другими отходами (за это грозит наказание в виде штрафа). Опасные компоненты, имеющиеся в электрическом и электронном оборудовании, отрицательно влияют на окружающую среду и здоровье.

Домашнее хозяйство должно способствовать восстановлению и повторному использованию (рециклированию) использованного оборудования. В Польше и в Европе создаётся или уже существует

система сбора использованного оборудования, предусматривающая, что все пункты продажи в/у оборудования обязаны принимать использованное оборудование. Кроме того, имеются пункты приёма в/у оборудования.

### ПРОИЗВОДИТЕЛЬ:

ООО «ПРОФИКС»;  
ул. Марывильска 34,  
03-228 Варшава, ПОЛЬША

Настоящее устройство соответствует польским и европейским стандартам, а также указаниям по технике безопасности.

**ВНИМАНИЕ:** Все работы по ремонту должны выполняться квалифицированным персоналом с применением оригинальных запасных частей.

### ПИКТОГРАММЫ:

Описание знаков, имеющихся на щитке и информационных наклейках на электроинструменте.



«Перед включением и началом работы необходимо прочесть инструкцию по эксплуатации!»



«Использовать защитные очки во время работы»



«Во время работы рекомендуется применять соответствующие средства защиты слуха»



«Использовать противопылевую маску»

### ТИПИЧНЫЕ НЕИСПРАВНОСТИ И ИХ УСТРАНЕНИЕ:

ПРОБЛЕМА	ВОЗМОЖНАЯ ПРИЧИНА	РЕШЕНИЕ ПРОБЛЕМЫ
Электрорубанок не работает.	Отсутствие питания, повреждение электродвигателя или выключателя.	Проверить, правильно ли присоединён кабель электропитания и проверить предохранители. Если электроинструмент не работает, несмотря на наличие напряжения питания, необходимо отправить его в сервисный пункт, по указанному в гарантийной карте адресу.
Нарушение работы электродвигателя.	Износ угольных щёток.	Заменить угольные щётки в сервисном пункте
Не вращается строгальный вал.	Повреждён приводной ремень.	Заменить приводной ремень (Смотри: «Смена приводного ремня»)



Политика компании PROFIX - это политика постоянного совершенствования своих изделий, и поэтому компания сохраняет за собой право изменения спецификации изделия без предварительного уведомления. Изображения, имеющиеся в инструкции, являются примерными и могут незначительно отличаться от фактического вида приобретённого электроинструмента.

Настоящая инструкция по эксплуатации защищена авторскими правами. Запрещено её копирование и размножение без согласия ООО «ПРОФИКС».

**ÎNAINTE DE UTILIZARE, CITIȚI ACESTE INSTRUCȚIUNI.**

Păstrează instrucțiunile pentru o folosire viitoare.

**ATENȚIE!** Citește toate avertismentele referitoare la protecția muncii marcate cu simboluri ⚠ și toate indicațiile referitoare la utilizarea în siguranță.



Nerespectarea avertismentelor de mai jos, poate duce la accidente și la electrocutare, incendii și/sau la vătămări corporale.

**Păstrează toate avertismentele și indicațiile referitoare la protecția muncii, pentru a le folosi în viitor.**

În avertismentele de mai jos, termenul "unealtă electrică" înseamnă *unealtă care este alimentată de la rețea (cu cablu de alimentare) sau unealtă electrică alimentată din baterie (fără cablu).*

**ATENȚIE! Reguli generale de protecție a muncii.****Siguranța la locul de muncă:**

- La locul de muncă păstrează curățenia și bună iluminare.**  
*Zonele și bancurile de lucru aglomerate cheamă accidentele.*
- Nu utilizezi unealta electrică în atmosfere explozive, formate din lichide inflamabile, gaze sau lichide.**  
*Unelata electrică produce scântei, care pot aprinde praful sau aburul.*
- Țineți copiii departe de locurile în care unealta electrică este folosită.**  
*Distragerea atenției poate duce la pierderea atenției asupra unelei electrice.*

**ATENȚIE! Reguli generale cu privire la utilizarea în siguranță a unelei.****Siguranța electrică:**

- Ștecherul unelei electrice trebuie să fie conforme cu priza.**  
**Este interzisă modificarea ștecherului. Este interzisă utilizarea prelungitoarelor în cazul uneltelor electrice cu cablu de legare la pământ de protecție.**  
*Nemodificarea ștecherelor și a prizelor micșorează riscul de electrocutare.*
- Evitați să atingeți suprafața de împământare sau conectările la masă, cum ar fi conducte, radiatoare, radiatoare de încălzire centrală și frigider.**  
*În cazul atingerii părților împământate, crește riscul de electrocutare.*
- Nu expuneți sculele electrice în condiții de ploaie sau mediu umed.**  
*În caz de infiltrație cu apă, crește riscul de electrocutare.*
- Nu abuzați de cablurile de conectare. Nu folosiți cablul de alimentare la mutarea, tragerea unelei sau tragerea ștecherului din priză. Păstrați cablul de alimentare departe de surse de căldură, ulei, muchii ascuțite sau părți în mișcare.**  
*Cablurile deteriorate sau încurcate cresc riscul de electrocutare.*
- În cazul în care unealta electrică este folosită în aer liber, conectarea trebuie efectuată cu ajutorul prelungitoarelor destinate funcționării în aer liber.**  
*Folosirea prelungitorului destinat funcționării în aer liber, micșorează riscul de electrocutare.*
- În cazul în care unealta electrică este folosită în mediu umed, este inevitabilă, utilizarea unui dispozitiv de protecție împotriva tensiunii de alimentare, cum ar fi aplicarea unui dispozitiv de curent rezidual (RCD).**  
*Folosirea RCD micșorează riscul de electrocutare.*



**ATENȚIE!** Avertismente generale cu privire la siguranța folosirii unelei.

**Siguranță personală:**

- Acest echipament nu este destinat utilizării de către persoane (inclusiv copii) cu abilități fizice reduse, senzoriale sau mentale, sau de persoane care nu au experiență sau nu cunosc echipamentul, cu excepția cazului în care are loc sub supraveghere sau în conformitate cu instrucția de folosire a echipamentului, de către o persoană responsabilă pentru siguranța lor.**
- Trebuie să fii atent, să aveți grijă ce faceți și să păstrați bun simț în timpul folosirii unelei electrice. Nu folosiți unealta electrică, când sunteți obosiți sau sub influența drogurilor, alcoolului sau a medicamentelor.**  
*Un moment de neatenție în timpul lucrului cu unelata electrică poate cauza vătămări personale grave.*
- Folosiți echipament de protecție. Purtați întotdeauna ochelari de protecție.**  
*Folosind echipamentul de protecție cum ar fi masca de praf, pantofi cu anti-alunecare, căști sau protecție auditivă, micșorati riscul de vătămare.*
- Evitați pornirea accidentală. Înainte de conectarea la sursa de alimentare și/sau înainte de conectarea bateriei și înainte de ridicarea sau mutarea unelei asigurativă că comutatorul unelei electrice este în poziția oprită.**  
*Mutarea unelei electrice cu degetul pe comutator sau conectarea unelei electrice la rețeaua de alimentare în poziția pornită poate provoca un accident.*
- Înainte de pornirea unelei electrice îndepărtați toate uneltele din apropiere.**  
*Lăsarea de unelte pe părțile de mișcare ale unelei electrice poate duce la vătămări corporale.*
- Nu vă aplecați prea mult. Trebuie să stați siguri și să mențineți echilibrul.**  
*Acest lucru va permite un control mai bun asupra unelei electrice în situații neașteptate.*
- Îmbrăcați-vă corespunzător. Nu purtați haine largi sau bijuterii.**  
*Țineți părul strâns, hainele și mânușile departe de părțile în mișcare. Hainele largi, bijuteria sau părul lung se pot agăța de părțile în mișcare.*
- Dacă echipamentul este potrivit pentru conectarea extractorului de praf extern și a colectorului de praf, asigurați-vă că acestea sunt conectate și folosite corect.**  
*Folosirea colectorului de praf poate reduce riscul de pericole legate de prăfuit.*



**ATENȚIE!** Avertismente generale cu privire la folosirea în siguranță a unelei.

**Utilizarea și îngrijirea unelei electrice:**

- Nu supraîncărcați unealta electrică. Utilizați o unealtă electrică în funcție de puterea necesară muncii efectuate.**  
*Unealta electrică corectă va permite o funcționare mai bună și este sigură în cazul însărcinării, pentru care a fost proiectată.*
- Este interzisă utilizarea unelei electrice dacă comutatorul nu pornește și nu oprește unealta.**  
*Fiecare unealtă electrică care nu pornește sau nu se oprește este periculoasă și trebuie reparată.*

- c) **Deconectați ștecherul de la sursa de alimentare a uneielctrice și/sau deconectați bateria înainte de orice setare, schimbare de părți sau depozitare. Aceste mijloace de protecție reduc riscul unei porniri accidentale a unelei electrice.**
- d) **Unealta electrică nefolosită trebuie depozitată departe de copii și nu trebuie împrumutată persoanelor care nu cunosc unealta electrică sau care nu au citit această instrucție de folosire a unelei electrice. Unelata electrică este periculoasă când este folosită de o persoană fără experiență.**
- e) **Unelata electrică trebuie bine întreținută. Trebuie controlată alinierea sau bruierea pieselor în mișcare, ruperea pieselor și alți factori care pot avea influență la funcționarea unelei electrice. Dacă găsim o deteriorare, unealta electrică înaintea folosirii trebuie reparată. Cauza multor accidente este întreținerea necorespunzătoare a unelei electrice.**
- f) **Uneltele de tăiere trebuie să fie ascuțite și curate. Întrținerea părților ascuțite ale uneltelor de tăiere reduce riscul de blocare în material și ușurează folosirea.**
- g) **Unealta electrică, echipamentul, uneltele de lucru, etc. trebuiec folosite în conformitate cu această instrucție, ținând cont de tipul și condițiile de lucru. Utilizarea unelei electrice în alt mod decât este destinația, poate duce la situații periculoase.**
- h) **La temperaturi scăzute, sau după o perioadă îndelungată de nefolosire, este recomandată pornirea unelei electrice fără sarcină pentru câteva minute pentru a distribui corect unsoarea în mecanismul de transmisie.**
- i) **Pentru curățirea unelei electrice folosiți o cârpă moale, umedă (nu udă) și săpun. Nu folosiți benzină, diluanți sau alte mijloace care pot deteriora echipamentul.**
- j) **Unealta electrică trebuie depozitată/transportată numai după ce ne-am asigurat că toate elementele în mișcare sunt blocate și asigurate cu ajutorul elementelor originale destinate blocării.**
- k) **Unealta electrică trebuie păstrată într-un loc uscat, asigurat împotriva prafului și a umezelii.**
- l) **Transportul unelei electrice trebuie să aibă loc în ambalajul original, asigurat împotriva deteriorărilor mecanice.**



**ATENȚIE!** Avertismente generale cu privire la folosirea în siguranță a uneltelei.

#### Repararea:

- a) **Repararea unelei electrice trebuie efectuată de persoane calificate, care folosesc doar piese de schimb originale. Acest lucru asigură că folosirea unelei electrice va fi în siguranță.**



**ATENȚIONARE!**  
**RINDEA ELECTRICĂ, Indicații specifice referitoare la utilizarea în condiții de siguranță a aparatului:**

- a) **Trebuie să așteptați ca axul cu cuțite să se oprească înainte de a lăsa jos unealta electrică. Axul cu cuțite expus poate agăța suprafața ceea ce duce la pierderea controlului asupra unelei iar acest lucru poate cauza răni grave.**
- b) **Nu băgați mâinile în ejectorul de rumeguș. Există pericolul de rănire datorită pieselor în mișcare.**
- c) **Porniți unealta electrică înainte ca freza să atingă**

**materialul de prelucrat. În caz contrar există pericolul de recul, atunci când unealta folosită se blochează în obiectul prelucrat.**

- d) **În timpul prelucrării rindeaua electrică trebuie ținută astfel încât baza rindelei electrice să fie așezată plat pe materialul prelucrat. În caz contrar rindeaua electrică s-ar putea inclina în timpul rindeluirii, ceea ce ar putea provoca răni.**
- e) **Nu preluați materiale în care se află obiecte metalice, cuie sau șuruburi. Acest lucru poate deteriora cuțitul și axul cu cuțite precum și să mărească nivelul de vibrații.**
- f) **Asigurați elementul prelucrat. Asigurați-vă că toate elementele de fixare sunt bine strânse și verificați să nu fie prea mari distanțe. Fixarea elementului prelucrat în echipamentul de fixare sau menținută este mai sigur decât ținerea elementului cu mâna.**
- g) **Este interzisă utilizarea unelei electrice cu cablul electric deteriorat. Nu atingeți cablul deteriorat; în cazul deteriorării cablului în timpul utilizării, deconectați ștecherul din priză. Cablurile deteriorate măresc riscul de electrocutare.**

**ATENȚIE!** În cazul în care cablul de alimentare nedemontabil se deteriorează, trebuie înlocuit cu un cablu special sau cu ansamblul disponibil la producător ori într-un atelier de reparații specializat.

#### **DESTINAREA ȘI STRUCTURA RINDELEI ELECTRICE:**

Rindeaua electrică este o unealtă pentru rindeluit manual, fațetat margini, efectuarea de capete de îmbinare în lemn și materiale de proveniență lemnoasă. Este o un aparat din a doua clasă de protecție (izolare dublă) și este acționată de un motor monofazat.

Se interzice categoric folosirea aparatului pentru orice alte scopuri.

Nu folosiți rindeaua electrică drept aparat staționar.

**Nu folosiți unealta pentru realizarea de lucrări care necesită utilizarea de aparate profesionale.**

**Contractul de garanție nu se aplică atunci când aparatul a fost folosit în activități meșteșugărești, industriale sau alte activități similare.**

Chiar și în cazul în care unealta a fost utilizată corespunzător nu pot fi eliminați definitiv anumii factori de risc rezidual. Datorită proiectării și a structurii aparatului pot apărea următoarele riscuri:

- reculul obiectului prelucrat sau a unor părți din obiectul prelucrat;
- afectarea auzului în cazul nepurtării de protecție auditivă necesară;
- emisiile de praf de lemn nocive pentru sănătate în cazul efectuării de lucrări în încăperi închise.

#### ■ **Completare**

- Rindea electrică - 1 buc.
- Ghidaj paralel rindea electrică - 1 buc.
- Cornier pentru fixare ghidaj - 1 buc.
- Șurub fixare cornier - 1 buc.
- Șurub pentru fixare ghidaj cornier - 1 buc.
- Șaibă - 1 buc.
- Piuliță de fixare ghidaj de rindeluit paralel pentru cornier - 1 buc.
- Limitator adâncime freză - 1 buc.
- Șurub fixare limitator adâncime frezare - 1 buc.
- Sac pentru rumeguș - 1 buc.
- Compartiment pentru chei - 1 buc.
- Cheie M8 - 1 buc.
- Cheie tubulară - 1 buc.

- Cureau de transmisie de rezervă - 1 buc.
- Instrucția de folosire - 1 buc.
- Cartea de garanție - 1 buc.

#### ■ Elementele uneltei

Numerarea pieselor din aparat se referă la reprezentarea grafică publicată pe paginile 2-4 din instrucțiunile de utilizare:

- Des. A:**
1. Scară adâncime rindeluire
  2. Butonul de reglare a adâncimii de rindeluire
  3. Duza ejectorului de rumeguș
  4. Mâner
  5. Buton de siguranță
  6. Buton de pornire/oprire
  7. Orificiu pentru inserție compartiment
  8. Capac curea de transmisie
  9. Orificiu pentru montare ghidaj paralel
  10. Sac pentru rumeguș
  11. Limitator adâncime freză
  12. Șurub fixare limitator adâncime frezare
  13. Cornier pentru fixare ghidaj
  14. Șurub pentru fixare ghidaj cornier
  15. Șurub fixare cornier
  16. Șaibă
  17. Piuliță de fixare ghidaj de rindeluit paralel pentru cornier
  18. Compartiment pentru chei
  19. Cheie M8
  20. Cheie tubulară
  21. Ghidaj paralel rindea electrică
  22. Curea de transmisie
- Des. D:**
23. Fantă tip V pentru fațetare margine
- Des. H:**
24. Șurub pentru setare înălțime cuțit
  25. Cuțit față-verso
  26. Partea posterioară a plăcii de bază
  27. Șuruburi suport cuțit
  28. Plata de strângere
  29. Protecție rabatabilă
  30. Suport cuțit
  31. Ax rindeluire
  32. Partea anterioară a plăcii de bază

- Des. J:**
33. Șuruburi de montare capac curea de transmisie

#### DATE TEHNICE:

Tensiunea de alimentare	230-240V
Frecvența de alimentare	50 Hz
Puterea	900 W
Viteza de rotire în gol	16000 /min
Lărgime rindeluire	82 mm
Adâncime rindeluire	0-3 mm
Clasa echipamentului	II
Masă	2,9 kg
Nivelul presiunii acustice LpA (K=±3dB(A))	91,2 dB(A)
Nivelul puterii acustice LwA (K=±3dB(A))	102,2 dB(A)
Nivelul de vibrație conform normie EN 60745-1:2009 (incertitudine K=1,5 m/s <sup>2</sup> )	4,13 m/s <sup>2</sup>

Nivelul menționat de vibrații este reprezentativ pentru utilizarea aparatului electric. Dacă aparatul electric va fi utilizat pentru alte scopuri sau cu alte instrumente de lucru precum și dacă nu va fi întreținut corespunzător, nivelul de vibrații ar putea diferi de cel indicat. Motivele indicate mai sus pot duce la sporierea nivelului de expunere la vibrații pe toată durata timpului de funcționare.

Trebuie să introduceți mijloace adiționale de siguranță, care au scopul de a proteja operatorul de efectele de expunere la vibrații, de ex.: întreținere aparat electric și instrumente de lucru, asigurarea temperaturii corespunzătoare a mâinilor, stabilirea ordinii operațiilor de muncă.

#### ÎNAINTE DE UTILIZARE:

1. Asigurați-vă că sursa de alimentare are parametrii corespunzători parametrilor mașinii indicați pe plăcuța nominală.
2. Asigurați-vă că butonul de pornire/oprire al rindelei electrice (6) este la poziția oprită și că butonul de siguranță (5) este eliberat.
3. Înainte de a începe lucrul trebuie să verificați corectitudinea și fermitatea de fixare a cuțitelor de tăiere (vezi: «Înlocuire cuțite»), și controlați dacă piesele mobile ale aparatului funcționează corect și nu sunt blocate, fisurate sau deteriorate, ceea ce ar putea avea impact asupra funcționării corecte a aparatului. Unealta deteriorată trebuie reparată înainte de utilizare.
4. În cazul în care locul de lucru este îndepărtat de priză, trebuie utilizat prelungitorul, cu o secțiune corespunzătoare a cablului, corespunzător în funcție de mărirea curentului de trecere. Se recomandă folosirea de prelungitoare cât mai scurte. Prelungitorul trebuie să fie în totalitate întins.

**ATENȚIE:** În timpul rindeluirii folosiți măsuri de protecție a căilor respiratorii superioare (măști antipraf). Din motive de sănătate trebuie de asemenea în timpul muncii să folosiți mereu un sac pentru rumeguș sau un aspirator drept sistem pentru eliminarea prafului. Aspiratorul trebuie să fie adaptat pentru aspirarea prafului sau a rumegușului din materialele prelucrate. Teava de aspirare a aspiratorului trebuie să fie cuplată direct la duza ejectorului de rumeguș (3). **NU PRELUCRAȚI MATERIALE CARE CONȚIN AZBEST.**

#### ■ Montare sac pentru rumeguș

Introduceți ștuțul de racordare al sacului pentru rumeguș (10) în duza ejectorului de rumeguș (3) cât mai adânc posibil (vezi Des. B, pag. 2).

**ATENȚIE:** Trebuie să goliți în mod regulat sacul pentru rumeguș. Scoateți sacul, desfaceți fermoarul și goliți-l de rumeguș.

**Nu băgați degetele în duza ejectorului de rumeguș!** În cazul blocării duzei ejectorului de rumeguș trebuie să opriți alimentarea cu curent și să îndepărtați rumegușul cu un băț de lemn sau cu aer comprimat.

#### ■ Reglarea adâncimii de rindeluire (vezi Des. C, pag. 2)

Cu ajutorul butonului de reglare a adâncimii de rindeluire (2) puteți ajusta adâncimea de rindeluire între 0 și 3,0 mm în funcție de scară (1) (gradarea scării = 0,5 mm):

- rotiți în direcția opusă mișcării acelor de ceas pentru a diminua adâncimea de rindeluire,
- rotiți în direcția acelor de ceas pentru a mări adâncimea de rindeluire.

#### ÎN TIMPUL LUCRULUI:

##### ■ Pornire/Oprire

- Aparatul este prevăzut cu un buton de siguranță (5), care previne pornirea accidentală a rindelei electrice. Pentru a porni rindeaua electrică trebuie mai întâi să apăsați butonul de siguranță și apoi să



apăsăți butonul de pornire/oprire al rindelei electrice (6) și să-l țineți în această poziție. Din motive de siguranță nu există posibilitatea de blocare a butonului de pornire/oprire în timpul operației uneltei.

- Pentru a opri aparatul trebuie să dați drumul la butonul de pornire/oprire (6).

### ■ Rindeluirea suprafețelor

Ajustați adâncimea dorită de rindeluire și așezați aparatul cu partea frontală a plăcii de bază (32) pe obiectul prelucrat.

**ATENȚIE:** Pericol de recul! Începeți operația de rindeluire după ce axul de rindeluire a atins turajia maximă.

Porniți aparatul și conduceți cu ambele mâini, împingeți-l cu ambele mâini pe suprafața prelucrată, aveți grijă ca partea frontală și cea posterioară să fie așezate cu totul pe obiectul prelucrat.

**ATENȚIE:** Cablul de alimentare trebuie să se afle în permanență la o distanță de siguranță de piesele în mișcare ale uneltei electrice. Acesta trebuie să se afle mereu în spatele uneltei electrice.

Pentru o prelucrare de calitate superioară, trebuie să avansați ușor și în același timp să încercați să centrați apăsarea pe baza rindelei electrice.

Pentru a prelucra materiale dure, de ex. lemn tare, precum și în cazul în care folosiți lărgimea maximă de rindeluire, trebuie să selectați o adâncime mică de rindeluire și în cazul în care este necesar să diminați avansul rindelei electrice.

Avansul prea rapid scade calitatea de prelucrare a suprafeței și poate duce la suprasolicitarea aparatului și la umplerea rapidă a ejectorului de rumeguș.

Pentru prelucrarea finală a suprafeței setați o adâncime mică de rindeluire și prelucrați suprafața de mai multe ori.

**ATENȚIE:** În cazul în care axul de rindeluit (31) se blochează trebuie să decuplați imediat unealta de la sursa de alimentare, să scoateți piesa care a dus la blocare, să verificați starea cuțitelor. Nu folosiți unealta cu piese deteriorate.

### ■ Fațetare muchii (vezi Des.D, pag. 3)

Fățetarea ușoară și rapidă a muchiiilor la unghiul de 45° este posibilă datorită fantei tip V (23) amplasate în partea anterioară a plăcii principale. Rindeaua electrică trebuie așezată cu fanta pe muchia respectivă și condusă pe suprafața acesteia având atenție la mișcarea uniformă și amplasarea neschimbată a unghiului.

**ATENȚIE:** Numai cuțitele ascuțite vă asigură calitatea bună de prelucrare și previn deteriorarea uneltei electrice.

### ■ Rindeluit cu ghidaj paralel

Rindeluitul de fațete se efectuează mai ușor cu ghidajul pentru rindeluit paralel (21), pe care trebuie să-l montați pe unealta electrică cu cornierul (13) conform desenului E de pe pag. 3. În cazul în care este necesar puteți monta un limitator de adâncime de frezare (11).

Pentru a seta lățimea necesară pentru fațetare trebuie să dați defiletați piulița (17), deplasați ghidajul în funcție de cornier la dimensiunea dorită și infiletați din nou piulița (17).

Deșurubați șurubul (12) și setați adâncimea dorită de fațetare cu limitatorul de adâncime (11) (vezi des. F).

Efectuați de câteva ori procesul de prelucrare până ce atingeți adâncimea dorită de fațetare. Deplasați rindeaua, apăsați lateral (vezi des. G).

## SCHIMBARE CUȚITE:



**ATENȚIE!** Înainte de a începe orice lucrări legate de utilizarea și pregătirea aparatului pentru funcționare, trebuie să vă asigurați că unealta este decuplată de la rețeaua electrică.

Rindeaua electrică a fost dotată cu cuțite rotative fabricate dintr-un aliaj dur. Cuțitele au două tășuri și pot fi folosite în ambele părți. Datorită muchiilor de ghidare se garantează ajustarea aceleiași adâncimi.

**ATENȚIE:** Cuțitele din aliaj dur nu pot fi ascuțite! Înlocuiți cuțitele uzate, tocite și deteriorate cu unele noi. Trebuie să folosiți cuțite tipul **Centrolock HM** cu dimensiunile 6x1x82mm.

**AVERTISMENT:** Atunci când schimbați cuțitul trebuie să purtați mănuși de protecție și să fiți prudenți. Nu prindeți cuțitul de tăis. Există pericolul de rănire la atingerea tăişului.

### ■ Demontarea cuțitului (vezi Des.H, pag. 4)

Pentru a roti sau a schimba cuțitul (25), trebuie să:

- rotiți axul de rindeluire (31) astfel încât să aveți acces la șuruburile suportului pentru cuțite (27);
- curățați suportul pentru cuțite (30);
- defiletați cele trei șuruburi de pe suportul pentru cuțite (27) înfiletate în axul de rindeluire (31) cu cheia plată M8 (19) ce face parte din set;
- scoateți cuțitul din ax cu o bucată de lemn.

### ■ Montare cuțit

Înainte de a monta cuțitul nou curățați exact calarea acestuia. Introduceți cuțitul nou între suport (30) și placa de strângere (28).

**ATENȚIE:** În placa de strângere sunt efectuate adâncituri de poziționare a cuțitului față de suport. Trebuie să verificați dacă suportul și placa sunt așezate exact în suportul mânerului și dacă linia tăişului este perfect paralelă cu suprafața axului. În caz de ajustare corespunzătoare a cuțitelor, linia tăişului ar trebui să fie cuplată corespunzător cu partea posterioară a plăcii de bază (25) (vezi Des.I, pag. 4). În cazul în care este necesar trebuie să ajustați setarea cu o cheie tubulară (20), rotiți cu aceasta șuruburile pentru setarea înălțimii mânerului pentru cuțit (24).

Asigurați-vă că poziționarea cuțitelor este corespunzătoare în raport cu ambele capete ale axului și strângeți puternic cele trei șuruburi de fixare (27).

**ATENȚIE:** Cuțitele trebuie schimbate mereu în perechi cu parametrii identici. Acest lucru vă asigură calibrarea axului rotativ.

Înainte de a porni din nou verificați dacă șuruburile (27) sunt strânse corespunzător. Rotiți cu mâna axul de rindeluire (31) și asigurați-vă că cuțitul nu se agață de nimic.

### ■ Încuire curea de transmisie

Pentru a înlocui curea de transmisie (22), trebuie să:

- defiletați cu o șurubelniță cruce cele trei șuruburi care fixează capacul curelei de transmisie (33) și scoateți capacul (8) (vezi Des.J, pag. 4);
- scoateți curea de transmisie (22) deteriorată (vezi Des.K, pag. 4);
- curățați roțile de curea cu o pensulă;
- așezați noua curea de transmisie în șanțurile roții de curea mai mici și apoi, prin rotire, așezați-o pe roata mai mare.
- așezați capacul curelei și fixați-l cu șuruburi.

## DEPOZITAREA ȘI ÎNTREȚINEREA:

Unealta nu necesită o întreținere specială. Unealta trebuie depozitată într-un loc uscat, nu la îndemâna copiilor, trebuie menținută curată, protejată de umezeală și praf. Condițiile de depozitare trebuie să elimine posibilitatea de deteriorare mecanică sau efectele nocive ale diferitelor condiții atmosferice.

După ce ați lucrat curățați aparatul de rumeguș și praf. Vă recomandăm să suflați cu aer comprimat orificiile de ventilație – acest lucru previne uzura prematură a rulmenților și îndepărtează praful care blochează alimentarea cu aer pentru răcirea motorului.

Ștergeți aparatul cu o pânză curată și umedă, cu o cantitate redusă de săpun. Nu folosiți niciun fel de detergent sau diluanți, deoarece aceste substanțe ar putea deteriora piesele fabricate din plastic. Aveți grijă ca în interiorul aparatului să nu pătrundă apa.

## TRANSPORT:

Aparatul trebuie transportat și depozitat în valiza pentru transport, care protejează de umiditate, intrarea prafului și a obiectelor de dimensiuni reduse, în special trebuie să protejezi orificiile de ventilație. Elementele mici care pătrund în carcasă pot deteriora motorul.

## PROTECȚIA MEDIULUI ÎNCONJURĂTOR:



**ATENȚIE:** Simbolul prezentat înseamnă interdicția de a amplasa aparatul uzat împreună cu alte deșeurile (sub amenințarea unei amenzi). Componentele periculoase aflate în aparatura electrică și electronică influențează negativ mediul natural și sănătatea oamenilor.

Fiecare gospodărie casnică trebuie să contribuie la redobândirea și refolosirea (recykling) aparaturii uzate. Atât în Polonia, cât și în Europa se organizează sau deja există sistemul de culegere a aparaturii uzate, în cadrul căruia toate punctele de vânzare a respectivei aparaturi sunt

obligate să preia aparatura uzată. În plus, există centrele de colectare a acestuia tip de aparatură.

## PRODUCĂTOR:

PROFIX Sp. z o.o.,  
str. Marywilka 34,  
03-228 Varșovia, POLONIA

Prezentul utilaj este făcut conform normelor naționale și europene, precum și indicilor de siguranță.

**ATENȚIE:** Toate reparațiile trebuie efectuate de un personal calificat, folosindu-se piesele de schimb originale.

## PICTOGRAME:

Explicațiile imaginilor de pe tabelul nominal și de pe etichetele informative.



– **ATENȚIONARE! Înainte de cuplare și de a începe operarea trebuie să citiți prezenta instrucțiune»**



– **«Folosiți întotdeauna ochelari de protecție»**



– **«Folosiți mijloace de protecție auditivă»**



– **«Întotdeauna utilizează masca de praf»**

## DEFECȚIUNI TIPICE ȘI ÎNDEPĂRTAREA ACESTORA:

PROBLEMĂ	CAUZĂ POSIBILĂ	SOLUȚIE
Rindeaua nu funcționează.	Lipsă alimentare, deteriorare motor sau comutator.	Verificați dacă cablul de alimentare este cuplat în mod corespunzător și verificați siguranțele. În cazul în care unealta electrică nu funcționează, deși este alimentată cu curent, trebuie să o trimiteți la service pentru reparații la adresa indicată în fișa de garanție.
Perturbații în funcționarea motorului.	Perii de cărbune uzate.	Schimbați periile de cărbune într-un service.
Axul de rindeluit nu se rotește.	Curea de transmisie deteriorată.	Schimbați cureaua (vezi: «Înlocuire curea de transmisie»)



Politica firmei PROFIX este aceea de perfecționare continuă a produselor sale și de aceea firma își rezervă dreptul de modificare a specificației produsului fără înștiințarea anterioară. Imaginile indicate în instrucțiunile de utilizare sunt doar exemple și se pot diferi puțin de aspectul real al dispozitivului achiziționat.

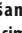
Prezenta instrucțiune este protejată prin dreptul de autor. Copierea/înmulțirea fără acordul în scris al firmei PROFIX Sp. z o.o. este interzisă.



**PIRMS DARBA SĀKUMA NEPIECIEŠAMS IEPAZĪTIES AR ŠO INSTRUKCIJU.**

Saglabā instrukciju varbūtējai turpmākai lietošanai.



**BRĪDINĀJUMS!** Nepieciešams izlasīt visus brīdinājumus apzīmētus ar simboliem , kuri attiecas uz lietošanas drošību un visus lietošanas drošības norādījumus.

Neievērojot zemāk uzrādītos drošības brīdinājumus un norādījumus attiecībā uz drošību var būt par elektriskās strāvas triecienu, ugunsgrēku un/vai nopietnu traumu iemesls.

Ievērot visus brīdinājumus un norādījumus attiecībā uz drošību, lai tos turpmāk varētu izmantot.

Zemāk uzrādītos brīdinājumus „elektroinstruments” nozīmē elektroinstrumentu, kurš tiek barots no elektriskā tīkla (ar barošanas vadu) vai elektroinstruments barots no akumulatora (bezvadu).



**BRĪDINĀJUMS!** Vispārējie instrumenta drošas lietošanu norādījumi.

**Darba vietas drošība:**

- Darba vietā nepieciešams uzturēt kārtību un labu apgaismojumu. Nekārtība un slikts apgaismojums ir negadījumu iemesls.
- Nedrīkst lietot elektroinstrumentu sprāgstošā, viegli uzliesmojošā, gāzu un putekļainā vidē. Elektroinstrumenta darbības laikā rodas dzirksteles, no kurām var aizdegties putekļi un tvaiki.
- Vietā, kur tiek lietoti elektroinstrumenti nevar atrasties bērni un novērotāji. Novērsot uzmanību var zaudēt kontroli par elektroinstrumentu.



**BRĪDINĀJUMS!** Vispārējie instrumenta drošas lietošanu norādījumi.

**Elektriskā drošība:**

- Elektroinstrumenta kontaktdakšīnām jābūt pielāgotām pie kontaktligzdām. Nekad nekādā gadījumā nedrīkst mainīt kontaktdakšīņu. Nedrīkst lietot nekādus pagarinātājus gadījumā, ja elektroinstruments ir apgādāts ar vadu ar aizsardzības iezemējuma dzīslu. Ja netiek darītas kontaktdakšīņu un kontaktlīdziņu izmaiņas, tas samazina elektriskā triecienu risku.
- Nepieciešams izvairīties no iezemētām virsmām vai savienotām ar masu, kā piemēram caurules, sildītāji, centrālāpkrures radiatoru un dzesinātāji. Gadījumā, ja notiek kontakts ar iezemētām vai ar masu savienotām daļām pieaug elektriskās strāvas triecienu risks.
- Nedrīkst pakļaut elektroinstrumentus uz lietus vai mitruma iedarbību. Gadījumā, ja elektroinstrumentā iekļūst ūdens pieaug elektriskās strāvas triecienu risks.
- Nedrīkst pārslogot savienojuma vadus. Nekad nedrīkst lietot savienojuma vadu elektroinstrumenta pārnēsāšanai, vilksānai vai izvilkot kontaktdakšīņu no kontaktlīdziņas aiz vada. Nepieciešams turēt savienojuma vadu tālu no siltuma avotiem, eļļainām, asām šķautnēm vai kustīgām daļām.

*B jāti vai sapiti savienojuma vadi palielina elektriskās strāvas triecienu risku.*

- Gadījumā, ja elektroinstruments tiek lietots ārpusē, savienojuma vadus nepieciešams pagarināt ar pagarinātājiem, kuri ir piemēroti darbam ārpusē. Lietojot pagarinātājus piemērotus darbam ārpusē samazinās elektriskās strāvas triecienu risks.
- Gadījumā, ja ir nepieciešama lietot elektroinstrumentu mitrā vidē, par sprieguma aizsardzību nepieciešams lietot strāvas starpības ierīci (RCD). Lietojot RCD samazinās elektriskās strāvas triecienu risks.



**BRĪDINĀJUMS!** Vispārējie instrumenta drošas lietošanu norādījumi.

**Individuālā drošība:**

- Šī ierīce nav piemērota lietot cilvēkiem (tai skaitā bērniem) ar ierobežotām fiziskām, jūtības un psihiskām spējām, vai cilvēkiem bez ierīces darbības pieredzes vai zināšanām, izņemot, ja tas notiek uzraudzībā vai saskaņā ar ierīces lietošanas instrukciju, ar kuru ir iepazinušās par drošību atbildīgas personas.
- Elektroinstrumenta lietošanas laikā nepieciešams būt tālredzīgiem, novērot kas notiek un saglabāt skaidru saprātu. Nedrīkst lietot elektroinstrumentu noguruma laikā vai narkotisku vielu, alkohola vai zāļu iedarbībā. Neuzmanības mirklis strādājot ar elektroinstrumentu var radīt nopietnas ķermeņa traumas.
- Nepieciešams lietot individuālos aizsardzības līdzekļus. Vienmēr nepieciešams lietot aizsargbrilles. Lietojot attiecīgos apstākļos aizsardzības līdzekļus, tādas kā putekļu maskas, neslidošus apavus, ķiveres vai dzirdes aizsardzības līdzekļus, samazināsies individuālās traumas.
- Nepieciešams izvairīties no neparedzētām kustībām. Pirms pieslēgšanas pie barošanas avota un/vai pirms akumulatora pieslēgšanas kā arī pirms tam, kad paceļam vai pārceļam ierīci nepieciešams pārliecināties, ka elektroinstrumenta slēdzis atrodas izslēgšanas stāvoklī. Pārnēsāt elektroinstrumentu ar pirkstu uz slēdža vai barošanas tīklā pieslēgtu elektroinstrumentu pie ieslēgta slēdža var būt par negadījuma iemesls.
- Pirms elektroinstrumenta palaišanas nepieciešams novākt visas atslēgas. Atslēga atstāta rotējošā elektroinstrumenta tuvumā var radīt individuālas traumas.
- Nedrīkst pārlieku tālu izlikties. Visu laiku nepieciešams stāvēt stabili un saglabāt līdzsvaru. Tas dos iespēju neparedzētās situācijās labāk kontrolēt elektroinstrumentu.
- Nepieciešams attiecīgi ģērbties. Nedrīkst nēsāt vaļīgas apģērbus vai rotas lietas. Nepieciešams turēt savus matus, apģērbu un cimdus tālu no kustīgām daļām. Vaļīgs apģērbs, rotas lietas vai gari mati var tikt aizķerti ar kustīgām daļām.
- Ja ierīce ir pielāgota ārējai putekļu sūkšanai un putekļu uzsūkšanai, nepieciešams pārliecināties, ka tie ir pieslēgti un pareizi lietoti. Lietojot putekļu sūcēju var samazināt putekļu

ieelpošanas bīstamību.



**BRĪDINĀJUMS!** Vispārējie instrumenta drošas lietošanu norādījumi.

**Lietošana un gādība par elektroinstrumentu:**

- a) Nedrīkst pārslotot elektroinstrumentu. Nepieciešams piemērot elektroinstrumentu veiktajam darbam. Pareizs elektroinstrumentu nodrošinās labāku un drošāku darbu pie slodzes, kādam tas tika projektēts.
- b) Nedrīkst lietot elektroinstrumentu, ja slēdzis to neieslēdz un neizslēdz. Katrs elektroinstrumentu, kuru nevar ieslēgt vai izslēgt ar slēdzi ir bīstams un to nepieciešams labot.
- c) Nepieciešams atvienot elektroinstrumenta kontaktdakšīņu no barošanas avota un/vai atslēgt akumulatoru pirms tiek veikta jebkāda uzstādīšana, detaļu maiņa vai instrumenta glabāšana. Tādas drošības darbības reducē neparedzētu elektroinstrumenta palaišanu.
- d) Nelietotu elektroinstrumentu nepieciešams glabāt bērniem nepieejamās vietās un nedrīkst atļaut personām, kuras nav iepazinušās ar elektroinstrumentu vai šo lietošanas instrukciju lietot elektroinstrumentu. Elektroinstrumenti ir bīstami neapmācītu lietotāju rokās.
- e) Elektroinstrumentu nepieciešams konservēt. Nepieciešams pārbaudīt asu sakrītību vai kustīgo daļu iekļīšanās, detaļu plīsumus un visus apstākļus, kuri varētu ietekmēt elektroinstrumenta darbu. Ja tiek konstatēts bojājums, elektroinstrumentu pirms lietošanas nepieciešams salabot. Daudzu negadījumu iemesls ir nepareiza elektroinstrumenta konservācija.
- f) Griezējinstrumentiem jābūt asiem un tīriem. Attiecīgi uzturēti asi griezējinstrumenta asmeņi samazina iekļīšanās iespējas un atvieglo apkalpošanu.
- g) Elektroinstrumentu, aprikojumu, darba instrumentus un tml. nepieciešams lietot saskaņā ar šo instrukciju, ņemot vērā darba apstākļus un veicamo darbu. Lietot elektroinstrumentu tam neparedzētā veidā var novest pie bīstamām situācijām.
- h) Zemās temperatūrās vai pēc ilgāka nelietošanas laika, ieteicams uz pāris minūtēm ieslēgt elektroinstrumentu bez slodzes, lai piedziņas mehānismā sāktu pareizi darboties smēreļļa.
- i) Elektroinstrumentu tīrīšanai lietot mikstu, mitru (ne slapju) drānu un ziepes. Nelietot benzīnu, šķīdinātājus un citus līdzekļus, kuri varētu sabojāt ierīci.
- j) Elektroinstrumentu nepieciešams glabāt / transportēt iepriekš pārliecinoties, ka visas kustīgās daļas ir nobloķētas un nodrošinātas pret atbloķēšanu ar oriģināliem šim nolūkam paredzētiem elementiem.
- k) Elektroinstrumentu nepieciešams glabāt sausā, no putekļiem un mitruma sargātā vietā.
- l) Elektroinstrumenta transportēšanu jāveic oriģinālā iepakojumā, kurš pasargā no mehāniskiem bojājumiem.



**BRĪDINĀJUMS!** Vispārējie instrumenta drošas lietošanu norādījumi.

**Remonts:**

- a) Elektroinstrumenta remontu nepieciešams veikt tikai kvalificētam speciālistam, lietojot tikai oriģinālas rezerves daļas. Tas elektroinstrumenta lietotājam nodrošinās turpmāku drošību.



**BRĪDINĀJUMS!**

**ELEKTRISKĀ ĒVELE, drošības norādījumi:**

- a) Pirms elektroinstrumenta nolikšanas nepieciešams pagaidīt līdz pilnībā apstājas nažu vārpsta. Atklāta nažu vārpsta var aizķert virsmu, radot kontroles zaudēšanu par instrumentu un tas noved līdz smagām traumām.
- b) Nelikt rokas skaidu izmetējā. Pastāv bīstamība ievainoties ar rotējošiem elementiem.
- c) Elektroinstrumentu ieslēgt pirms frēze saskarsies ar materiālu. Pretējā gadījumā pastāv atmešanas bīstamība, kad lietotais instruments bloķējas apstrādājamā priekšmetā.
- d) Darba laikā ēveli nepieciešams turēt tādā veidā, lai ēveles pamatne plakanī piegultu pie apstrādājamā materiāla. Pretējā gadījumā ēvele materiāla apstrādes laikā varētu sasvērties un radīt traumas.
- e) Nekad nedrīkst apstrādāt materiālu, kurā atrodas metāla priekšmeti, naglas vai skrūves. Tas var radīt nažu un nažu vārpstas bojājumu, kā arī palielināt vibrācijas līmeni.
- f) Apstrādājamo priekšmetu nepieciešams nostiprināt. Pārliecināties, ka visi stiprināšanas elementi ir nostiprināti un pārbaudīti, lai nebūtu pārmērīgas pielaišanas. Apstrādājamo priekšmetu ir drošāk nostiprināt stiprināšanas ierīcē vai skrūvspilnē nekā turēt to rokā.
- g) Elektroinstrumentu nedrīkst lietot ar bojātu barošanas vadu. Nedrīkst pieskarties pie bojāta vada; ja vads tiek bojāts darba laikā, nepieciešams izvilkt kontaktdakšīņu no kontakttīzdzas. Bojāti vadi palielina elektriskās strāvas trieciena risku.

**UZMANĪBU!** Ja neatvienojamais barošanas vads tiek bojāts, to nepieciešams aizvienot ar speciālu vadu vai komplektu, kurš pieejams pie ražotāja vai specializētā remonta darbnīcā.

**ELEKTRISKĀ ĒVELES PIELIETOJUMS UN UZBŪVE:**

Elektriskā ēvelmašīna ir koka un kokveidīgo materiālu rokas ēvelēšanas, šķautņu fāzēšanas, felcēšanas (gropju ēvelēšanas) instruments. Tā ir otrās aizsardzības klases ierīce (dubultā izolācija) un tiek piedzīts ar vienfāzes elektrisko dzinēju.

Kategoriski aizliegts lietot ierīci visos citos nolūkos.

Nelietot ēveli kā stacionāru ierīci.

Nedrīkst lietot instrumentu veicot darbus, kur nepieciešams lietot profesionālas ierīces.

Garantijas līgums nav spēkā, kad ierīce tika lietota amatnieku, rūpniecības vai līdzīgu saimniecības darbību darbnīcās.

Neskatoties uz to, ka ierīce tiek lietota saskaņā ar pielietojumu nevar pilnībā izslēgt noteiktus paliekošā riska faktorus. Ņemot vērā mašīnas konstrukciju un uzbūvi var būt sekojošas bīstamības:

- apstrādājamā priekšmeta vai apstrādājamā priekšmeta daļu atmešana;
- dzirdes pasliktināšanās, ja netiek lietoti dzirdes aizsardzības līdzekļi;
- veselībai kaitīgo putekļu emisija gadījumā, ja darbs tiek veikts slēgtā telpā.

## ■ Komplektācija

- Elektriskā ēvele - 1 gab.
- Paralēlās ēvelēšanas vadotne - 1 gab.
- Vadotnes stiprināšanas leņķdzelzs - 1 gab.
- Leņķdzelzs stiprināšanas skrūve - 1 gab.
- Leņķdzelzs vadotnes stiprināšanas skrūve - 1 gab.
- Paliktnis - 1 gab.
- Paralēlās ēvelēšanas vadotnes pie leņķdzelzs stiprināšanas uzgrieznis - 1 gab.
- Gropēšanas dziļuma ierobežotājs - 1 gab.
- Gropēšanas dziļuma ierobežotāja stiprināšanas skrūve - 1 gab.
- Skaidu maiss - 1 gab.
- Atslēgu glabātuve - 1 gab.
- Atslēga M8 - 1 gab.
- Gala atslēga - 1 gab.
- Rezerves piedziņas sikсна - 1 gab.
- Apkalpošanas instrukcija - 1 gab.
- Garantijas karte - 1 gab.

## ■ Ierīces elementi

*Ierīces elementu numerācija attiecas uz grafisko attēlu, kurš atrodas apkalpošanas instrukcijas 2-4.lapas pusē:*

- Zīm. A:**
1. Ēvelēšanas dziļuma skala
  2. Ēvelēšanas dziļuma regulatoris
  3. Skaidu izmešanas sprausla
  4. Rokturis
  5. Drošības slēdzis
  6. Slēdzis
  7. Glabātuves ielikšanas caurums
  8. Piedziņas sikсна pārsegs
  9. Paralēlās vadotnes stiprināšanas caurums
  10. Skaidu maiss
  11. Gropēšanas dziļuma ierobežotājs
  12. Gropēšanas dziļuma ierobežotāja stiprināšanas skrūve
  13. Vadotnes stiprināšanas leņķdzelzs
  14. Leņķdzelzs vadotnes stiprināšanas skrūve
  15. Leņķdzelzs stiprināšanas skrūve
  16. Paliktnis
  17. Paralēlās ēvelēšanas vadotnes pie leņķdzelzs stiprināšanas uzgrieznis
  18. Atslēgu glabātuve
  19. Atslēga M8
  20. Gala atslēga
  21. Paralēlās ēvelēšanas vadotne
  22. Piedziņas sikсна
- Zīm. D:**
23. Malu ēvelēšanas V- tipa rievā
- Zīm. H:**
24. Nažu augstuma uzstādīšanas skrūves
  25. Divpusīgais nazis
  26. Galvenās plāksnes aizmugures daļa
  27. Naža turētāju skrūves
  28. Piespiedējplāksnīte
  29. Svārstošais drošības pārsegs
  30. Naža turētājs
  31. Griešanas vārpsta
  32. Galvenās plāksnes priekšējā daļa

- Zīm. J:**
33. Piedziņas sikсна pārsega stiprināšanas skrūves

## TEHNISKIE DATI:

Barošanas spriegums	230-240 V
Barošanas frekvence	50 Hz
Jauda	900 W
Griešanas ātrums bez slodzes	16000 /min
Ēvelēšanas platums	82 mm
Ēvelēšanas dziļums	0-3 mm
Ierīces klase	II
Svars	2,9 kg
Akustiskā spiediena līmenis LpA (K=±3dB(A))	91,2 dB(A)
Akustiskās jaudas līmenis LwA (K=±3dB(A))	102,2 dB(A)
Vibrācijas līmenis atbilstoši normai EN 60745-1:2009 (mērījumu izklīde K=1,5 m/s <sup>2</sup> )	4,13 m/s <sup>2</sup>

Uzrādītais vibrācijas līmenis ir reprezentatīvs elektroinstrumenta pamata lietošanai. Ja elektroinstrumenti tiek lietoti citos nolūkos vai ar citiem darba instrumentiem, vai arī ja nebūs pietiekami konservēti, vibrācijas līmenis var atšķirties no uzrādītā. Augstāk uzrādītie iemesli var radīt vibrācijas ekspozīcijas palielināšanos visā darba laikā.

Nepieciešams realizēt papildus drošības līdzekļus, kuri pasargās operatoru no vibrācijas ekspozīcijas, piem.: Elektroinstrumenta un darba instrumenta konservācija, atbilstošas roku temperatūras nodrošināšana, darba operāciju veikšanas secības noteikšana.

## PIRMS DARBA SĀKUMA:

1. Pārlicināties, ka barošanas avota parametri atbilst parametriem uzrādītiem uz instrumenti plāksnītes.
2. Pārlicināties, ka ēveles slēdzis (6) atrodas izslēgšanas stāvoklī un drošības slēdzis (5) ir atbrīvots.
3. Pirms darba sākuma nepieciešams pārbaudīt griezēj nažu regulēšanu un stiprināšanas drošību (skat.: «Nažu maiņa»), kā arī kontrolēt, vai ierīces kustīgās daļas pareizi funkcionē un nav bloķētas, nav iepļisušas vai bojātas, kas varētu iespaidot pareizu ierīces funkcionēšanu. Bojātu ierīci pirms lietošanas nepieciešams nodot labošanai.
4. Gadījumā, ja darba vieta ir attālināta no kontaktligzdas, nepieciešams lietot pagarinātāju ar attiecīgu vadu šķērsgriezumu, piemērotu strāvai. Ieteicams lietot pēc iespējas īsus pagarinātājus. Pagarinātājam jābūt pilnībā attītam.

**UZMANĪBU:** Ēvelēšanas laikā nepieciešams lietot elpošanas orgānu aizsardzību (putekļu maskas). Veselības aizsardzības nolūkos darba laikā vienmēr lietot skaidu maisu vai arī putekļu sūcēju kā putekļu atsūkšanas sistēmu. Putekļu sūcējam jābūt piemērotam apstrādājamā materiāla putekļu vai skaidu uzsūkšanai. Putekļu sūcēja cauruli nepieciešams pievienot tieši pie skaidu izmešanas sprauslas (3). NEAPSTRĀDĀJIET MATERIĀLUS, KAS SATUR AZBESTU.

## ■ Skaidu maisa montāža

Skaidu maisa (10) stiprināšanas elementu ielikt skaidu izmešanas sprauslā (3) visdziļāk kā tas ir iespējams (skat. zīm. B, lpp. 2).

**UZMANĪBU:** Nepieciešams regulāri tīrīt maisu no skaidām. Noņemt maisu, atvērt rāvējslēdzēju un iztukšot maisu.

**Nelikt pirkstus skaidu izmešanas sprauslā!** Gadījumā, ja skaidu izmešanas sprausla aizsērē, atvienot barošanu un iztīrīt skaidas ar koka

*listīti vai saspiesto gaisu.*

### ■ **Ēvelēšanas dziļuma uzstādīšana** (skat. zīm. C, lpp. 2)

Ar ēvelēšanas dziļuma regulatoru (2) ir iespējams uz skalas (1) pamata pakāpeniski uzstādīt ēvelēšanas dziļumu no 0 līdz 3,0 mm (*skalas iedaļa = 0,5 mm*):

- pagriežot pretēji pulksteņa rādītāja kustības virzienam ēvelēšanas dziļums samazināsies,
- pagriežot pulksteņa rādītāja kustības virzienā ēvelēšanas dziļums palielināsies.

### **DARBA LAIKĀ:**

#### ■ **Ieslēgšana/izslēgšana**

- Ierīce ir apgādāta ar drošības slēdzi (5), kurš pasargā no ēveles gadījuma ieslēgšanas. Lai ieslēgtu ēveli vispirms nepieciešams nospiest drošības slēdzi, un tad nospiest ēveles ieslēgšanas slēdzi (6) un turēt to šādā stāvoklī. Ņemot vērā ka nav iespējams darba laikā bloķēt slēdzi.
- Lai izslēgtu ierīci atbrīvot slēdzi (6).

#### ■ **Virsmas ēvelēšana**

Uzstādīt vēlamo ēvelēšanas dziļumu un pielikt ierīci ar galvenās plāksnes priekšējo daļu (32) uz apstrādājamo priekšmetu.

**UZMANĪBU:** *Atmešanas bīstamība!* Ēvelēšanu sākt, kad ēveles vārpsta sasniedz maksimālos apgriezienus.

Ierīci ieslēgt un ar abām rokām vienmērīgi to pārvietot pa visu apstrādājamo virsmu, pie kam priekšējai un aizmugurējai galvenās plāksnes daļām pilnībā jāpieguļ pie apstrādājamā priekšmeta.

**UZMANĪBU:** *Barošanas vadam pastāvīgi jāatrodas drošā attālumā no elektroinstrumenta rotošajām daļām. To vienmēr nepieciešams turēt elektroinstrumenta aizmugurē.*

Lai iegūtu augstu apstrādes kvalitāti nepieciešams saglabāt tikai vieglu pavedi, pie kam cenšoties centrēt ēveles pamatnes spiedienu.

Cietu materiālu apstrādei, piem. ciets koks kā arī izmantojot maksimālo ēveles platumu, nepieciešams uzstādīt tikai nelielu ēvelēšanas dziļumu un nepieciešamības gadījumā samazināt ēveles pavedi.

Pārāk liela pavede samazina apstrādājamās virsmas kvalitāti un var novest līdz mašīnas pārslogošanai kā arī ātras skaidu izejas sprauslas aizsērēšanai.

Lai veiktu galīgo virsmas apstrādi uzstādīt nelielu griešanas dziļumu, virsmu vairākkārtīgi apstrādāt.

**UZMANĪBU:** *Ēveles vārpstas (31) bloķēšanas gadījumā nepieciešams nekavējoties atvienot elektroinstrumentu no barošanas avota, izņemot bloķējošo elementu, pārbaudīt nažus. Nelielot ierīci ar bojātām detaļām.*

#### ■ **Apmalu fāzēšana** (skat. zīm. D, lpp. 3)

Ātra un vienkārša apmalu 45° fāzēšana ir iespējama pateicoties galvenās plāksnes priekšējās daļas V-tipa rievai (23). Ēveli uzlikt ar rievu uz došu malu un vadīt gareniski pa tās virsmu, pie kam pievērst uzmanību uz vienmērīgu pavedi un nemainīgu leņķa stāvokli.

**UZMANĪBU:** *Tikai asi naži garantē apstrādes kvalitāti un samazina elektroinstrumenta defekta iespēju.*

#### ■ **Ēvelēšana lietojot paralēlo vadotni**

Gropju ēvelēšanu atvieglo paralēlās ēvelēšanas vadotnes (21) lietošana, kuru nepieciešams stiprināt uz elektroinstrumenta ar leņķdzelzi (13) palīdzību, saskaņā ar 3 lpp. zīmējumu E. Papildus nepieciešamības gadījumā var uzstādīt gropēšanas dziļuma ierobežotāju (11).

Lai uzstādītu vēlamo gropēšanas platumu nepieciešams atbrīvot uzgriezni (17), pārvietot vadotni attiecībā pret leņķdzelzi par vēlamo izmēru un atkārtoti pieskrūvēt uzgriezni (17).

Atbrīvot skrūvi (12) un uzstādīt vēlamo gropēšanas dziļumu ar dziļuma ierobežotāju (11) (skat. zīm. F).

Vairākkārtīgi veikt apstrādes procesu, līdz sasniedzam vēlamo gropes dziļumu. Ēvelmašīnu nepieciešams vadīt, pieliekot spiedienu uz sāniem (skat. zīm. G).

### **NAŽU MAIŅA:**



**UZMANĪBU!** *Pirms jebkādu darbu saistītu ar ierīces apkalpošanu sāksanas kā arī sagatavojot ierīci darbam, nepieciešams pārliecināties vai ierīce ir atvienota no elektriskā tīkla.*

Ēvele ir apgādāta diviem no cietskausējuma izgatavotiem rotošiem nažiem. Nažiem ir divi asmeņi un tos var lietot abusēji. Pateicoties nažu vadotnes rievai tiek garantēta to uzstādīšana tāni paša augstumā.

**UZMANĪBU:** *Giet sakausējuma nažus nedrīkst asināt! Nolieotus, neusus un bojātus nažus apmainīt ar jauniem. Nepieciešams lietot **Centrolock HM** tipa nažus, izmērs 6 x 1 x 82 mm.*

**BRĪDINĀJUMS:** *Mainot nažus lietot aizsargcimdus un ievērot uzmanību. Neņemt naži aiz asmens. Pastāv bīstamība ievainoties ar griezēj asmeņu šķautni.*

#### ■ **Naža demontāža** (skat. zīm. H, lpp. 4)

Lai atbrīvotu vai apmainītu nazi (25), nepieciešams:

- pagriezt ēveles vārpstu (31) tā, lai būtu iespēja skrūvēt naža stiprināšanas skrūves (27);
- attīrīt naža turētāju (30);
- uz ēveles vārpsta (31) atbrīvot trīs naža turētāja skrūves (20) ar pievienoto plakano M8 atslēgu (19);
- lietojot koka elementu izbīdīt nazi no vārpstas.

#### ■ **Naža montāža**

Pirms jaunā naža ielikšanas rūpīgi iztīrīt tā ielikšanas vietu. Jaunu nazi iebīdīt starp naža turētāju (30) un piespiedēj plāksnīti (28).

**UZMANĪBU:** *Piespiedēj plāksnītē izveidoti iedziļinājumi, kuri pozicionē nazi attiecībā pret turētāju. Nepieciešams pārbaudīt vai nazis un plāksne precīzi pieguļ pie naža turētāja un asmens līnijai ideāli jāskrīt ar galvenās plāksnes aizmugures daļu (25) (skat. zīm. I, lpp. 4). Nepieciešamības gadījumā nepieciešams regulēt uzstādījumu ar gala atslēgu (20), ar to griežot nažu augstuma uzstādīšanas stiprināšanas skrūves (24).*

Pārliecināties, ka naža stāvoklis ir pareizi novietots attiecībā pret abām vārpstas pusēm un stipri pieskrūvēt trīs stiprināšanas skrūves (27).

**UZMANĪBU:** *Nažus vienmēr nepieciešams mainīt pāros, ar vienādiem parametriem. Tas nodrošinās rotošo vārpstas balansēšanu.*

Pirms atkārtotas palaišanas pārbaudīt vai skrūves (27) ir atbilstoši pievilktas. Ar roku pagriezt ēvelēšanas vārpstu (31) un pārliecināties, ka nazis nerīvējas.

#### ■ **Piedzīņas siksnas maiņa**

Lai apmainītu piedziņas siksnu (22), nepieciešams:

- ar krustiņa veida atslēgu atskrūvēt piedziņas siksnas (33) pārsegu stiprināšanas trīs skrūves un noņemt pārsegu (8) (skat. zīm. J, lpp. 4);
- noņemt bojāto piedziņas siksnu (22) (skat. zīm. K, lpp. 4);
- siksnas piedziņas skrīemeli notīrīt ar otīņu;

- novietot jaunu piedziņas siksnu mazākā skrituļā rievās un pagriežot uzlikt uz lielāko skrituļi.
- uzlikt siksnas pārsegu un piestiprināt ar skrūvēm.

#### GLABĀŠANA UN KONSERVĀCIJA:

Mašīnai būtībā nav nepieciešama speciāla konservācija. Mašīnu nepieciešams glabāt bērniem nepieejamā vietā, uzturēt tīru, sargāt no mitruma un putekļiem. Glabāšanas apstākļiem jāizslēdz mehānisko bojājumu iespēju kā arī atmosfēras apstākļu iedarbību.

Pēc darba ieteicams attīrīt ierīci no skaidām un putekļiem. Ventilācijas atveres ieteicams izpūst ar saspiesto gaisu – tas novērsīs priekšlaicīgu guļtņu nolietošanos un likvidēs putekļus, kuri bloķē dzinēja dzesējošā gaisa plūsmu.

Ierīci tīrīt ar mitru drānu lietojot nedaudz ziepes. Nelietot nekādus tīrīšanas līdzekļus un šķīdinātājus; tie var sabojāt no plastmasas izgatavotās ierīces daļas. Nepieciešams uzmanīties, lai ierīce neieklūtu ūdens.

#### TRANSPORTS:

Ierīci transportēt un glabāt transportēšanas koferī, kurš sargā no mitruma, putekļiem un smalkiem elementiem, īpaši nepieciešams nodrošināt ventilācijas atveres. Smalkie elementi, iekļūstot korpusa iekšpusē var sabojāt dzinēju.

#### VIDES AIZSARDZĪBA:



**UZMANĪBU:** Tājā veidā apzīmētus izstrādājumus, neizpildes gadījumā paredzot naudas sodu, nedrīkst izmest kopā ar parastiem atkritumiem. Elektriskajā un elektroniskajā iekārtā esošas briesmīgas vielas var kaitēt apkārtējai videi un cilvēku veselībai.

Nepieciešams veicināt iekārtu atkritumu pārstrādāšanai un atkārtotai izmantošanai (reciklēšanai). Polijā un Eiropā tiek veidots, vai jau eksistē,

iekārtu atkritumu vākšanas sistēma, saskaņā ar ko visiem iepriekšminētās iekārtas pārdošanas punktiem ir pienākums pieņemt nolietotu iekārtu. Turklāt, ir pieejamas iepriekšminētās iekārtas vākšanas punkti.

#### RAŽOTĀJS:

PROFIX SIA,  
Marywilka iela 34,  
03-228 Varšava, Polija

Ši ierīce ir saskaņā ar valsts un Eiropas normām, ka arī drošības prasībām.

**UZMANĪBU:** Visāda veida remontus veic kvalificēti personāls, lietojot oriģinālas rezerves daļas.

#### PIKTOGRAMMAS:

Apzīmējumu skaidrojums, kuri atrodas uz plāksnītes un informācijas uzlīmēm.



– «Pirms ieslēgšanas un darba sākuma nepieciešams iepazīties ar šo instrukciju»



– «Vienmēr lietot aizsargbrilles»



– «Lietot dzirdes aizsardzības līdzekļus»



– «Vienmēr nepieciešams lietot putekļu maskas»

#### POTENCIĀLĀS PROBLĒMAS UN TO ATRISINĀŠANAS VEIDI:

PROBLĒMA	IESPĒJAMĀIS IEMESLS	PROBLĒMAS RISINĀJUMS
Ēvelmašīna nedarbojas.	Nav barošanas, bojāts dzinējs vai slēdzis.	Pārbaudīt vai barošanas vads ir pareizi pievienots un kontrolēt drošinātājus. Ja elektroinstruments nedarbojas, neraugoties uz to ka ir barošanas spriegums, nepieciešams to nosūtīt remonta servisa punktā uz garantijas kartē uzrādīto adresi.
Dzinēja darbības traucējumi.	Nolietotas ogļiņu sukuks	Remonta servisa punktā apmainīt ogļiņu sukuks.
Negriežas ēvelēšanas vārpsta.	Bojāta piedziņas sikсна.	Apmainīt siksnu (skat.: «Piedziņas siksnas maiņa»



Firmas PROFIX politika ir nepārtraukta savu produktu pilnveidošanas politika, tāpēc firma sev rezervē tiesības ieviest izstrādājuma specifikācijas izmaiņas bez iepriekšējas paziņošanas. Zīmējumi, kuri uzrādīti apkalpošanas instrukcijā kalpo tikai kā piemērs un var nedaudz atšķirties no iegādātās ierīces reālā izskata.

Šī instrukcija ir sargāta ar autortiesībām. Aizliegts to kopēt/pavairot bez PROFIX SIA rakstiskas atļaujas.

**PŘED ZAHÁJENÍM POUŽÍVÁNÍ SE SEZNAMTE S TÍMTO NÁVODEM.**

Uchovávejte návod pro případné další použití.

**POZOR!** Přečtěte si všechny výstrahy týkající se bezpečnosti používání označené symbolem ⚠ a veškeré pokyny týkající se bezpečnosti používání.

Nedodržování uvedených bezpečnostních výstrah a bezpečnostních pokynů může být příčinou zásahu elektrickým proudem, požáru a/nebo závažných úrazů.

**Uchovejte výstrahy a pokyny týkající se bezpečnosti pro případné použití v budoucnosti.**

V níže uváděných výstrahách pojem „elektronářadí“ znamená elektronářadí napájené z elektrické sítě (elektrickým vodičem) nebo elektronářadí napájené baterií (bezdrátové).

**VÝSTRAHA!** Všeobecné výstrahy týkající se bezpečného používání nářadí.**Bezpečnost na pracovišti:**

- Udržujte na pracovišti pořádek a zajistěte zde dobré osvětlení.** Nepořádek a špatné osvětlení často zapříčiňují nehody.
- Nepoužívejte elektronářadí ve výbušném prostředí tvořeném hořlavými tekutinami, plyny nebo prachem.** Elektronářadí vytváří jiskry, které by mohly zapálit prach nebo výparu.
- Nepouštějte děti ani jiné pozorovatele na místa, kde se používá elektronářadí.** Rušení pozornosti může způsobit ztrátu kontroly nad elektronářadím.

**VÝSTRAHA!** Všeobecné výstrahy týkající se bezpečného používání nářadí.**VÝSTRAHA!** Všeobecné výstrahy týkající se bezpečného používání nářadí.**Elektrická bezpečnost:**

- Zástrčky nářadí musí odpovídat zásuvkám. Nikdy žádným způsobem nepředělávejte zástrčky.** V případě elektronářadí, které má vodič s ochranným uzemněním, nepoužívejte žádné prodlužovačky. Původní nepředělané zástrčky a zásuvky snižují riziko zásahu elektrickým proudem.
- Vyvarujte se dotýkání uzemněných ploch nebo takových, které jsou spojené s hmotou, jako jsou trubky, ohřivače, radiátory ústředního topení a chladničky.** V případě dotýkání takových ploch a předmětů roste riziko zásahu elektrickým proudem.
- Nevystavujte elektronářadí na působení deště nebo vlhka.** Pokud by se do elektronářadí dostala voda, roste riziko zásahu elektrickým proudem.
- Kabely se nesmí žádným způsobem namáhat. Nikdy nepoužívejte kabel k nošení, tažení elektronářadí nebo k vytahování zástrčky ze zásuvky.** Kabel musí být umístěný daleko od zdrojů tepla, oleje, ostrých hran nebo pohyblivých částí. Poškozené nebo propletené kabely zvyšují riziko zásahu elektrickým proudem.
- V případě, že se elektronářadí používá venku, je třeba prodlužovat elektrické kabely prodlužovači určenými na práci venku.** Používání prodlužovače určeného do venkovního

*prostředí snižuje riziko zásahu elektrickým proudem.*

- Pokud je nezbytné použití elektronářadí ve vlhkém prostředí, je třeba použít jako ochranu proudový chránič (RCD).** Použití RCD snižuje riziko zásahu elektrickým proudem.

**VÝSTRAHA!** Všeobecné výstrahy týkající se bezpečného používání nářadí.**Osobní bezpečnost:**

- Toto zařízení nesmí používat osoby (včetně dětí) s omezenou fyzickou, smyslovou nebo psychickou schopností, nebo osoby, které nemají odpovídající zkušenosti nebo znalosti zařízení, leda že je používají s příslušným dozorem, nebo v souladu s návodem na používání zařízení, který jim předají osoby zodpovědné za jejich bezpečnost.**
- Při používání elektronářadí je třeba být předvídatý, pozorovat, co se děje, a používat zdravý rozum.** Nepoužívejte elektronářadí, pokud jste unavení nebo pod vlivem drog, alkoholu nebo léků. Chvilé nepozornosti při práci s elektronářadím může způsobit závažné osobní úrazy.
- Je třeba používat osobní ochranné prostředky. Je třeba vždy používat ochranné brýle.** Používání v příslušných podmínkách takových ochranných prostředků, jako je protiprachová respirační maska, protiskluzová obuv, přilba nebo chrániče sluchu, snižuje nebezpečí osobních úrazů.
- Je třeba se vyhnout neplánovanému spuštění.** Před připojením k elektrickému zdroji a/nebo před zapojením baterie a než se nářadí zvedne, nebo přenese, je třeba se ujistit, že je vypínač elektronářadí v poloze vypnutu. Přenášení elektronářadí s prstem na vypínači nebo připojení elektronářadí do sítě se zapojeným vypínačem může být příčinou nehody.
- Před spuštěním elektronářadí je třeba odstranit všechny klíče.** Ponechání klíče v otáčející se části elektronářadí může způsobit poranění.
- Je zakázáno přilížit se naklánět.** Po celou dobu musíte stát pevně a udržovat rovnováhu. Umožní Vám to dobře kontrolovat elektronářadí při nepředvídatelných situacích.
- Je třeba mít vhodné oblečení.** Při práci nenoste volné oblečení ani bžuterii. Je třeba zajistit, aby Vaše vlasy, oblečení a rukavice byly v bezpečné vzdálenosti od pohyblivých částí. Volné oblečení, bžuterie nebo dlouhé vlasy se mohou zachytit do pohyblivých částí.
- Pokud je zařízení přizpůsobeno na napojení k vnějšímu odsávání prachu a pohlcovači prachu, ujistěte se, že jsou připojeny a řádně se používají.** Použitím pohlcovačů prachu můžete omezit nebezpečí závislé na prašnosti.

**VÝSTRAHA!** Všeobecné výstrahy týkající se bezpečného používání nářadí.**Používání elektronářadí a péče o ně:**

- Elektronářadí se nesmí přetěžovat.** Je třeba používat elektronářadí s výkonem vhodným pro provádění určité práce. Správné elektronářadí umožní lepší a bezpečnější práci se zátěží, na kterou bylo naprojektováno.



- b) **Elektronářadí, u kterého nefunguje spínač, se nesmí používat.** Každé elektronářadí, které nelze zapínat nebo vypínat spínačem, je nebezpečné a je třeba je opravit.
- c) **Před provedením každého seřízení, výměny součástky nebo před skladováním odpojte zástrčku elektronářadí od zdroje elektrického proudu a/nebo odpojte baterii.** Takový bezpečnostní postup omezuje riziko náhodného spuštění elektronářadí.
- d) **Nepoužívané elektronářadí uchovávejte mimo dosah dětí a nedovolte přístup osobám, které nejsou obeznámené s elektronářadím nebo s tímto návodem na používání elektronářadí.** Elektronářadí může být nebezpečné v rukách nevyškolených uživatelů.
- e) **Elektronářadí je třeba udržovat.** Je třeba kontrolovat souosost nebo zaseknutí pohyblivých částí, praskliny součástí a veškeré další faktory, které by mohly ovlivnit činnost elektronářadí. Pokud zjistíte poškození, musíte elektronářadí před použitím opravit. Příčinou mnohých nehod je neodborná údržba elektronářadí.
- f) **Řezací nástroje musí být ostré a čisté.** Řádná údržba ostrých hran řezacích nástrojů snižuje pravděpodobnost zaseknutí a usnadňuje obsluhu.
- g) **Elektronářadí, vybavení, pracovní nástroje apod. používejte v souladu s tímto návodem, při čemž zohledněte pracovní podmínky a druh prováděné práce.** Používání jiným způsobem, pro který není elektronářadí určeno, může způsobit nebezpečné situace.
- h) **V nízkých teplotách, nebo pokud se nářadí po delší dobu nepoužívá, doporučuje se zapnout elektronářadí bez zátěže po dobu několika minut za účelem řádného promazání mechanismu pohonu.**
- i) **K čištění elektronářadí používejte měkký, vlhký (ne mokry) hadřík a mýdlo.** Nepoužívejte benzin, rozpouštědla a další prostředky, které by mohly poškodit zařízení.
- j) **Elektronářadí je třeba skladovat / dopravovat až potom, co se ujistíte, že jsou veškeré jeho pohyblivé součásti zablokované a zajištěné proti odblokování s použitím původních součástek určených k tomuto účelu.**
- k) **Elektronářadí skladujte na suchém místě chráněném proti prachu a průniku vlhkosti.**
- l) **Doprava elektronářadí by měla probíhat v původním obalu tak, aby bylo chráněné proti mechanickému použití.**



**VÝSTRAHA!** Všeobecné výstrahy týkající se používání nářadí.

**Oprava:**

- a) **Opravy elektronářadí je třeba objednávat výhradně u kvalifikované osoby, využijte původní náhradní součástky.** Zajistíte tím, že používání elektronářadí bude stále bezpečné.



**VÝSTRAHA!**

**ELEKTRICKÝ HOBLÍK, podrobné pokyny týkající se bezpečného používání zařízení:**

- a) **Před odložením elektronářadí počkejte, až se nožová hřídel zcela zastaví.** Odkrytá hřídel by mohla zachytit o povrch, způsobit

ztrátu kontroly obsluhy nad nářadím a těžký úraz.

- b) **Nevkládejte ruce do odváděče třísek.** Existuje nebezpečí úrazu rotujícími součástmi.
- c) **Elektronářadí spouštějte před stykem frézovací části s materiálem.** V opačném případě, pokud by se nástroj zaseklul v obráběném materiálu, existuje nebezpečí zpětného rázu.
- d) **Při práci držte hoblík tak, aby byla jeho základna přiložená naplocho k obráběnému materiálu.** V jiném případě by se mohl hoblík během zahlubování do materiálu naklonit a způsobit úraz.
- e) **V žádném případě nezpracovávávejte hoblíkem materiál, v němž jsou kovové předměty, hřebíky nebo šrouby.** Mohlo by to způsobit poškození nože a nožové hřídele, a také zvýšit úroveň vibrací.
- f) **Je potřeba zabezpečit obráběný předmět.** Zajištění obráběného předmětu v závěru nebo jiným tímto typu stroje je bezpečnější než držení ho v ruce.
- g) **Nepoužívejte elektronářadí s poškozeným vodičem napájení. Nedotýkejte se poškozeného vodiče; v případě, že dojde k poškození vodiče během práce, vytáhněte zástrčku ze zásuvky.** Poškozené vodiče zvyšují riziko zásahu elektrickým proudem.

**POZOR!** Pokud se poškodí neodnímatelné napájecí kabel, to měl by být nahrazen speciálním kabelem nebo souborem dostupným u výrobce nebo v specializovaném servisu.

**URČENÍ A KONSTRUKCE ELEKTRICKÉHO HOBLÍKU:**

Elektrický hoblík je nářadí pro ruční zpracování, srážení hran a falcování dřeva a materiálů na bázi dřeva. Je to zařízení ve druhé třídě ochrany (dvojitá izolace), které je poháněno jednofázovým elektromotorem. Je to spotřebič ve druhé ochranné třídě (dvojitá izolace) s pohonem jednofázovým motorem.

Je kategoriicky vyloučeno využívat zařízení k jakýmkoliv jiným účelům.

Nepoužívejte hoblík jako stabilní stroj.

**Není dovoleno používat toto nářadí k práci, která vyžaduje použití profesionálního nářadí.**

**Záruční smlouva ztrácí platnost, v případě používání zařízení v řemeslnických nebo průmyslných dílnách nebo na obdobnou činnost.**

Každé použití zařízení jinak, než to vyplývá z jeho výše uvedeného určení, je zakázané, způsobuje ztrátu záruky a osvobozuje výrobce od odpovědnosti za takto způsobené škody.

Jakékoliv úpravy zařízení prováděné uživatelem osvobozuje výrobce od odpovědnosti za poškození a škody způsobené uživateli a v okolí.

Správné používání elektronářadí se týká také údržby, skladování, dopravy a oprav. Elektronářadí mohou opravovat pouze servisní opravy určené výrobcem. Zařízení, které je napájeno ze sítě, by měly opravovat pouze osoby, které jsou k tomuto oprávněny.

Hoblík by měly používat, obsluhovat a opravovat výhradně osoby znalé jeho přesných charakteristik a obeznámené s bezpečnostními pravidly. Je nutno vždy dodržovat předpisy týkající se prevence nehod a veškeré základní předpisy z oblasti bezpečnosti práce a ochrany zdraví.

I při používání nářadí v souladu s jeho určením nelze zcela eliminovat určité rizikové faktory. Vzhledem ke konstrukci a stavbě stroje se mohou vyskytnout následující ohrožení:

- Úrazy v důsledku doteku rotující pohyblivých částí;
- Zpětný ráz zpracovávaného předmětu nebo jeho části;
- Poškození sluchu v případě nepoužívání nezbytné ochrany sluchu;

- Zdraví škodlivé emise dřevěného prachu v případě práce v uzavřených prostorách;
- Ohrožení zdraví při dlouhodobém používání elektronářadí. V takových situacích je třeba dělat pravidelné přestávky v práci;
- Zranění při výměně součástek, nožů a příslušenství.

#### ■ Kompletace

- Elektrický hoblík - 1 ks.
- Vedení rovnoběžného hoblování - 1 ks.
- Úhelník k připevnění vedení - 1 ks.
- Upevňující šroub úhelníku - 1 ks.
- Šroub k upevnění vedení k úhelníku - 1 ks.
- Podložka - 1 ks.
- Matice k upevnění vedení k úhelníku - 1 ks.
- Omezovač hloubky falcování - 1 ks.
- Upevňující šroub omezovače falcování - 1 ks.
- Pytel na třísky - 1 ks.
- Schránka na klíče - 1 ks.
- Klíč M8 - 1 ks.
- Imbusový klíč - 1 ks.
- Rezervní řemen pohonu - 1 ks.
- Návod na obsluhu - 1 ks.
- Záruční list - 1 ks.

#### ■ Součásti zařízení:

Číslování součástí zařízení se vztahuje ke grafickému znázornění umístěnému na stránkách 2-4 návodu na obsluhu:

- Obr. A:**
1. Stupnice řezné hloubky
  2. Knoflík nastavení hloubky hoblování
  3. Hubice odváděče třísek
  4. Držák
  5. Bezpečnostní tlačítko
  6. Vypínač
  7. Otvor ke vkládání schránky
  8. Kryt řemene pohonu
  9. Otvor k upevnění rovnoběžného vedení
  10. Pytel na třísky
  11. Omezovač hloubky falcování
  12. Upevňující šroub omezovače falcování
  13. Úhelník k upevnění vedení
  14. Šroub k upevnění vedení k úhelníku
  15. Upevňující šroub úhelníku
  16. Podložka
  17. Matice upevňující vedení rovnoběžného hoblování k úhelníku
  18. Schránka na klíče
  19. Klíč M8
  20. Imbusový klíč
  21. Vedení rovnoběžného hoblování
  22. Řemen pohonu

**Obr. D:** 23. Drážka typ V k srážení hran

**Obr. H:** 24. Šrouby k nastavení výšky nože

25. Dvoustranný nůž
26. Zadní část základní desky
27. Šrouby držáku nože
28. Přítlačná destička
29. Sklopný kryt

30. Držák nože

31. Řezný válec

32. Přední část základní desky

**Obr. J:** 33. Šrouby upevňující kryt řemene pohonu

#### TECHNICKÉ ÚDAJE:

Jmenovité napětí	230-240 V
Jmenovitý kmitočet	50 Hz
Odebíraný výkon	900 W
Rychlost otáček bez zátěže	16000 /min
Řezná šířka	82 mm
Řezná hloubka	0-3 mm
Třída zařízení	II
Hmotnost	2,9 kg
Hladina akustického tlaku (LpA)(K=±3dB(A))	91,2 dB(A)
Hladina akustického výkonu (LwA)(K=±3dB(A))	102,2 dB(A)
Úroveň vibrací podle normy: EN 60745-1:2009 (tolerance měření K= 1,5 m/s <sup>2</sup> )	4,13 m/s <sup>2</sup>

Uvedená úroveň vibrací platí pro základní použití elektronářadí. Pokud by bylo elektronářadí použito jinak nebo s jinými pracovními nástroji, a také pokud nebude prováděna dostatečná údržba, úroveň vibrací se může lišit od uvedených. Výše uvedené důvody mohou způsobit zvýšení vystavení vibracím během celé doby práce.

Je třeba uplatnit další bezpečnostní prostředky, jejichž účelem je ochrana obsluhy pily proti důsledkům vystavení vibracím, např.: údržbu elektronářadí a pracovních nástrojů, zajištění vhodné teploty rukou, určení pořadí pracovních úkonů.

#### PŘED ZAČÁTKEM PRÁCE:

1. Spravdźci przed podłączeniem maszyny, czy dane na tabliczce znamionowej zgadzają się z parametrami sieci zasilającej.
2. Ujistěte se, že vypínač hoblíku (6) je ve vypnuté poloze a bezpečnostní tlačítko (5) je povoleno.
3. Před zahájením práce je třeba prověřit nastavení a kvalitu upevnění řezných nožů (viz: «Výměna nožů») a zkontrolovat, zda pohyblivé části zařízení správně fungují a zda nejsou zablokované, prasklé nebo poškozené, což by mohlo mít vliv na správné fungování zařízení. Poškozené nářadí je třeba předat do opravy.
4. V případě, že pracujete s prodlužovačkou, ujistěte se, že její parametry a průměry kabelů odpovídají parametrům zařízení. Doporučujeme použití co nejkratší prodlužovačky. Prodlužovačka by měla být zcela rozvinutá.

**POZOR:** Při hoblování je třeba používat ochranu horních dýchacích cest (respirační masky). Ze zdravotních důvodů při práci používejte také vždy pytel na třísky nebo vysavač jako systém odsávání prachu. Vysavač musí být vhodný pro použití na odsávání prachu nebo hoblin z obráběných materiálů. Nasávací trubice vysavače musí být napojena na trysku odvádění třísek (3). JE ZAKÁZÁNO ZPRACOVÁNÍ HOBLÍKEM MATERIÁLU OBSAHUJÍCÍHO AZBEST.

#### ■ Montáž pytle na třísky

Vložte nástavec pytle na třísky (10) do trysky odváděče třísek (3) tak hluboko, jak je to možné (viz obr. B, str. 2).

**POZOR:** Je třeba pravidelně vyprazdňovat pytel na třísky. Sundat pytel, rozepnout zip, a vyprazdnit obsah.

**Nevkládejte prsty do trysky odváděče třísek!** V případě ucpaní trysky

odváděče třísek, vypnout napájení a odstranit třísky dřevěnou špejlí nebo je vyfouknout stlačeným vzduchem.

#### ■ Nastavování řezné hloubky (viz obr. C, str. 2)

S použitím knoflíku nastavování řezné hloubky (2) je možné postupně nastavování požadované řezné hloubky od 0 do 3,0 mm s využitím stupnice řezné hloubky (1) (měřítko = 0,5 mm):

- otáčení v protisměru pohybu hodinových ručiček zmenšuje řeznou hloubku,
- otáčení ve směru pohybu hodinových ručiček zvětšuje řeznou hloubku.

#### BĚHEM PRÁCE:

##### ■ Vypínání/zapínání

- Zařízení je vybaveno bezpečnostním tlačítkem (5), které má za úkol chránit proti náhodnému zapnutí hobličky. Pro spuštění hobličky je třeba nejdříve stlačit bezpečnostní tlačítko, a následně stlačit vypínač hobličky (6) a přidržet jej v této poloze. Z bezpečnostních důvodů není možné zablokovat vypínač během práce.
- Pro vypnutí zařízení je třeba pustit tlačítko vypínače (6).

##### ■ Hoblování plochy

Nastavte požadovanou řeznou hloubku a přiložte zařízení přední části základní desky (32) na zpracováváný předmět.

**POZOR:** Nebezpečí zpětného rázu! Hoblování začněte, až když řezný válec dosáhne maximální otáčky.

Zapněte zařízení a vedte je oběma rukama, rovnoměrně je posunujte po celé obráběné ploše, při čemž přední a zadní část základní desky musí zcela přilnout k obráběnému předmětu.

**POZOR:** Vodič napájení musí být stále v bezpečné vzdálenosti od rotující části elektronářadí. Je třeba je vést vždy zezadu nářadí.

Pro získání kvalitních výsledků obrábění je třeba nářadí pouze lehce posunovat a snažit se při tom udržovat vycentrovaný tlak na základnu hobličky.

K obrábění tvrdých materiálů, např. tvrdého dřeva, ale také při využívání maximální řezné šířky, je třeba nastavit pouze malou řeznou hloubku a v případě potřeby zmenšit posun hobličky.

Příliš velký posun snižuje kvalitu obrábění plochy a může vést k přetížení stroje a rychlému ucpání odváděče třísek.

Pro konečnou úpravu plochy nastavte malou řeznou hloubku a obrábějte plochu opakovaně.

**POZOR:** V případě zablokování řezného válce (31) okamžitě odpojte nářadí od zdroje elektrického proudu, odstraňte blokující prvek, proveďte stav nožů. Nepoužívejte nářadí s poškozenými součástmi.

##### ■ Sražení hran (patrz rys. D, str. 3)

Rychlé a jednoduché sražení hran s úhlem 45° je možné díky použití přizpůsobené k upevnění v přední části hlavní desky drážky typ V (20). Nasadte hoblík drážkou na zpracovávanou hranu a vedte jej podélně po jejím povrchu, věnujte při tom pozornost rovnoměrnému posunu a udržení stejné polohy úhlu.

**POZOR:** Pouze ostré nože zaručují dobrou kvalitu práce a chrání proti poškození elektronářadí.

##### ■ Hoblování s použitím rovnoběžného vedení

Hoblování zářezů je usnadněné díky použití vedení rovnoběžného hoblování (21), které je třeba namontovat na elektronářadí s použitím úhelníku (13) jak je znázorněno na obrázku E na str. 3. V případě potřeby lze namontovat omezovač hloubky falcování (11).

Za účelem nastavení potřebné šířky falcování je třeba povolit matici (17), přesunout vedení podle úhelníku na požadovaný rozměr a opět utáhnout matici (17).

Povolit šroub (12) a nastavit požadovanou hloubku falcování s použitím omezovače hloubky (11) (viz obr. F).

Hoblování několikrát zopakovat až do dosažení požadované hloubky falce. Hoblík je třeba vést s tlakem z boku (viz obr. G).

#### VÝMĚNA NOŽŮ:



**POZOR!** Před zahájením libovolné činnosti spojené s obsluhou a přípravou nářadí na práci se musíte ujistit, že je nářadí odpojeno od přívodu elektřiny.

Hoblík je vybavený dvěma otáčecími noži vyrobenými z tvrdokovu. Nože mají dva břity a lze je používat oboustranně. Díky vodiči drážce nožů je zaručené jejich nastavení ve stejné výšce.

**POZOR:** Nože z tvrdokovu se nesmí brousit! Opatřované, poškozené a tupé nože je třeba vyměnit na nové. Je třeba používat nože **Centrolock HM** s rozměry 6 x 1 x 82 mm.

**VÝSTRAHA:** Při výměně nožů používejte ochranné rukavice a zachovejte opatrnost. Nechtejte nůž za břit. Mohli byste se poranit o řeznou hranu.

##### ■ Odmontování nože (viz obr. H, str. 4)

Po otočení nebo výměnu nože (25), je třeba:

- Přetočit řezný válec (31) tak, abyste měli přístup ke šroubům uchycení nože (27);
- vyčistit uchycení nože (30);
- povolit tři šrouby uchycení nože (27) na řezném válci (31) s použitím připojeného ve schránce (18) plochého klíče M8 (19);
- vytačit kousek dřeva nůž z válce.

##### ■ Montování nože

Před nasazením nového nože řádně vyčistěte prostor jeho usazení. Nový nůž zasuňte mezi držák (30) a přítlakovou destičku (28).

**POZOR:** V přítlakové destičce jsou prohlubně pro určení polohy nože vůči držáku. Zkontrolujte si, zda nůž a destička přesně přilnuly k nožovému držáku a linie břitu je ideálně rovnoběžná k povrchu válce. V případě správné polohy nožů by měla linie břitu ideálně odpovídat zadní části základní desky (25) (viz obr. I, str. 4). V případě potřeby doladte nastavení s použitím imbusového klíče (20) tak, že jim pootočíte šrouby nastavující výšku držáku nože (24).

Ujistěte se, že je poloha nože správná vzhledem k oběma koncům hřídele a silně utáhněte tři upevňující šrouby (27).

**POZOR:** Nože vyměňujte vždy ve dvojicích se stejnými parametry. Takto zajistíte vyváženost rotujícího válce.

Před opětovným spuštěním zkontrolujte, zda jsou šrouby (27) správně utažené. Otočte ručně řezným válcem (31) a ujistěte se, že nůž o nic nedě.

##### ■ Výměna řemene pohonu

Pro výměnu řemene pohonu (22) je třeba:

- odšroubovat s použitím křížového šroubováku dva šrouby upevňující kryt řemene pohonu (33) a tento kryt sundat (8) (viz obr. J, str. 4);
- sundat poškozený řemen (22) pohonu (viz obr. K, str. 4);
- vyčistit kola řemenice štetcem;
- nasadit nový řemen pohonu do drážek menší řemenice a následně jej otáčením postupně nasadit na větší řemenici.
- nasadit kryt řemenice a připevnit ho s použitím šroubů.

### SKLADOVÁNÍ A ÚDRŽBA:

Stroj v podstatě nevyžaduje zvláštní údržbu. Nářadí skladujte na místě, které není přístupné dětem, udržujte jej čisté, chráňte před vlhkem a zaprášením. Podmínky skladování by měly vylučovat možnost mechanického poškození nářadí a minimalizovat vliv škodlivých povětrnostních podmínek.

Doporučuje se po práci nářadí očistit z třísek a prachu. Doporučuje se přefoukat stlačeným vzduchem ventilační otvory - chrání to proti předčasnému opotřebování ložisek a odstraňuje prach blokuující přísun vzduchu chladičím motor.

Nářadí otřete vlhkým hadříkem s malým množstvím mýdla. Nepoužívejte žádné čisticí prostředky ani rozpouštědla; mohly být poškodit části zařízení vyrobené z umělé hmoty. Je třeba dávat pozor, aby do vnitřku zařízení nevnikla voda.

Rezné nástroje je třeba udržovat ostře a čisté.

### DOPRAVA:

Zařízení dopravujte a skladujte v obalu, který je chrání před vlhkem, průnikem prachu a drobných objektů, především chráňte ventilační otvory. Drobné částice, které by se dostaly dovnitř krytu, mohou poškodit motor.

### OCHRANA ŽIVOTNÍHO PROSTŘEDÍ:



**POZOR:** Zobrazený symbol znamená zákaz likvidace zařízení dohromady s jinými odpady (na porušení zákazu se vztahuje pokuta). Nebezpečné složky, které se nacházejí v elektrickém a elektrotechnickém vybavení mají negativní vliv na životní prostředí a lidské zdraví.

Domácnosti by se měly zapojit do získávání zpět a opětovného využívání (recyklace) starých elektrospotřebičů. V Polsku a v Evropě se tvoří nebo už existuje systém sběru elektroodpadu, v rámci kterého mají všechna

prodejní místa elektrospotřebičů povinnost přijímat elektroodpad. Kromě toho existují sběrná místa pro elektroodpad.

### VÝROBCE:

PROFIX s.r.o.

ul. Marywilska 34,  
03-228 Varšava, Polsko

Toto zařízení vyhovuje vnitrostátním i evropským normám a bezpečnostním požadavkům.

**POZOR:** Veškeré opravy musí provádět kvalifikovaní odborníci, s použitím původních náhradních dílů.

### PIKTOGRAMY:

Vysvětlení ikon umístěných na firemním štítku a na informačních nálepkách na zařízení:



«Před spuštěním zařízení si přečtěte návod na obsluhu!»



«Vždy používejte ochranné brýle»



«Používejte prostředky na ochranu sluchu»



«Používejte ochranné masky proti prachu»

### TYPICKÉ ZÁVADY A JEJICH ODSTRANĚNÍ:

PROBLÉM	MOŽNÁ PŘÍČINA	ŘEŠENÍ PROBLÉMU
Hoblík nefunguje.	Chybí elektrický proud, motor nebo vypínač je poškozen.	Zkontrolujte, zda je vodič napájení řádně zapojený a zkontrolujte pojistky. Pokud nářadí nefunguje, přesto že má zajištěný přívod proudu, předejte je do opravy na adrese uvedené v záručním listu.
Poruchy v činnosti motoru.	Opotřebení uhlíkových kartáčů.	Výměna uhlíkových kartáčů v opravně.
Řezací válec se netočí.	Poškozený řemen pohonu.	Výměna řemene (viz: «Výměna řemene pohonu»)



Politika firmy PROFIX je politikou průběžného zdokonalování výrobků, z toho důvodu si firma vyhrazuje právo změnit specifikaci výrobku bez předchozího informování. Obrázky, uvedené v návodu na obsluhu, jsou pouze příklady a mohou se lišit od skutečného vzhledu zakoupeného zařízení.

Tento návod je chráněn autorským zákonem. Jeho kopírování / rozmnožování bez písemného souhlasu společnosti PROFIX s.r.o. je zakázáno.



**PRIEŠ RADEKANT DARBĄ SUSIPAŽINKITE SU INSTRUKCIJA.**

Išsaugokite instrukciją, nes gali būti reikalinga vėliau.



**ĮSPĖJIMAS!** Prašome perskaityti visus įspėjimus dėl saugaus naudojimo pažymėtus simboliais ⚠️ bei visas nuorodas dėl saugaus naudojimo.

Žemiau pateikiamų įspėjimų dėl saugos bei saugos nuorodų nesilaikymas gali būti elektros smūgio, gaisro ir/arba sunkių kūno sužalojimų priežastimi.

Išsaugokite visus įspėjimus ir visas saugos nuorodas, kad vėliau būtų galima jais pasinaudoti.

Žemiau pateiktose įspėjimuose sąvoka „elektros prietaisas“ apibūdina elektros prietaisą maitinamą elektros energija iš elektros tinklo (maitinimo laidas) arba elektros prietaisą maitinamą akumuliatoriumi (batais).



**ĮSPĖJIMAS!** Bendri įspėjimai dėl saugaus įrankio naudojimo.

**Sauga darbo vietoje:**

- Darbo vietoje turi būti švaru, tvarkinga bei geras apšvietimas.** *Netvarka bei netinkamas darbo vietos apšvietimas gali būti nelaimingų atsitikimų priežastimi.*
- Nenaudoti elektros prietaiso sprogiuje aplinkoje, kurioje yra degūs skysčiai, degios dujos arba dulkės.** *Elektros prietaiso darbo metu susidaro elektros kibirkštis, todėl gali užsidegti esantis aplinkoje garai.*
- Darbo vietoje negali būti vaikai bei pašaliniai.** *Dėmesio nukreipimas gali būti elektros prietaiso valdymo praradimo priežastimi.*



**ĮSPĖJIMAS!** Bendri įspėjimai dėl saugaus įrankio naudojimo.

**Elektros sauga:**

- Elektros prietaisų kištukai turi atitikti elektros lizdo tipui.** *Jokiu būdu negalima keisti kištuko. Jeigu elektros prietaisas turi įžeminimą, negalima naudoti ilgintuvo.* *Originalių kištukų bei lizdų naudojimas sumažina elektros smūgio riziką.*
- Venkite kūno kontakto su žemintais paviršiais, tokias kaip vamzdžiai, šildytuvai, centrinio šildymo radiatoriai bei šaldytuvais.** *Kontaktas su žemintais paviršiais didina elektros smūgio pavojų.*
- Saugokite prietaisą nuo lietaus ir drėgmės.** *Jeigu vanduo patenka į elektros prietaisą, padidėja elektros smūgio rizika.*
- Nenaudokite laidų ne pagal paskirtį.** *Neneškite įrenginio paėmę už laido, netraukite už jo norėdami išjungti kištuką iš elektros lizdo. Laidą klokite taip, kad jo neveiktų karštis, jis neišsistieptų alyva ir jo nepažeistų aštrios detalės ar judančios prietaiso dalys.* *Pažeistas laidas gali tapti elektros smūgio priežastimi.*
- Jeigu elektros prietaisas yra naudojamas lauke, laido prailginimui naudokite tik specialiai tam skirtus prailgintuvus.** *Prailgintuvų skirtų darbui lauke naudojimas sumažina elektros smūgio riziką.*
- Jeigu negalima išvengti elektros prietaiso naudojimo**

drėgnoje aplinkoje, naudokite RCD įrenginį. *RCD įrenginio naudojimas sumažina elektros smūgio riziką.*



**ĮSPĖJIMAS!** Bendri įspėjimai dėl saugaus įrankio naudojimo.

**Žmonių sauga:**

- Prietaisu negali naudotis asmenys (tame tarpe vaikai) turintis fizinis, jutimo arba psichinius negalavimus, taip pat asmenys neturintis darbo patirties arba nesusipažinę su prietaisu, nebent toks darbas vyksta stebint specialistui arba pagal prietaiso naudojimo instrukciją, kuri buvo perduota asmeniui atsakingu už saugą.**
- Būkite atidūs, sutelkite dėmesį į tai, ką Jūs darote ir, dirbdami su elektros prietaisu, vadovaukitės sveiku protu.** *Nedirbkite su prietaisu, jei esate pavargę arba vartojote narkotikus, alkoholių ar medikamentus.* *Akimirksnio neatidumas naudojant prietaisą gali tapti rimtų sužalojimų priežastimi.*
- Dėvėkite tinkamą aprangą.** *Nešiokite apsauginius akinius.* *Apsauginės aprangos, tokios kaip dulkių kaukė, neslystantis apsauginiai batai, šalmas, asinės, naudojimas sumažina sužalojimų grėsmę.*
- Saugokitės, kad neįjungtumėte prietaiso atsitiktinai.** *Prieš įjungiant kištuką į elektros lizdą ir/arba prieš akumuliatoriaus įjungimą bei prieš paimant arba perrašant prietaisą įsitikinkite, kad prietaisas yra išjungtas.* *Prietaiso perrašimas su pirštu ant jungiklio arba prietaiso įjungimas į maitinimo tinklą gali tapti nelaimingo atsitikimo priežastimi.*
- Prieš įjungdami prietaisą pašalinkite raktus.** *Prietaiso besisukančioje dalyje esantis įrankis ar raktas gali tapti sužalojimų priežastimi.*
- Nepasilenkite pernelyg į priekį.** *Dirbdami atsistokite patikimai ir visada išlaikykite pusiausvyrą.* *Patikima stovėseną ir tinkama kūno laikysena leis geriau kontroliuoti prietaisą netikėtose situacijose.*
- Dėvėkite tinkamą aprangą.** *Nedėvėkite plačių drabužių ir papušašų.* *Saugokite plaukus, drabužius ir pirštines nuo besisukančių prietaiso dalių.* *Laisvus drabužius, papušašus bei ilgus plaukus gali įtraukti besisukančios prietaiso dalys.*
- Jeigu įrenginiai yra pritaikyti prijungimui prie dulkių nusiurbimo ir dulkių surinkėjo, įsitikinkite, kad šie įrenginiai tinkamai prijungti ir panaudoti pagal paskirtį.** *Dulkių surinkėjų panaudojimas sumažina dulkių poveikio pasekmes.*



**ĮSPĖJIMAS!** Bendri įspėjimai dėl saugaus įrankio naudojimo.

**Rūpestinga elektros prietaisų priežiūra ir naudojimas**

- Neperkraukite prietaiso.** *Naudojamo prietaiso galingumas turi atitikti atliekamam darbui.* *Tinkamai parinktas elektros prietaisas leis atlikti darbą gerai ir saugiai.*
- Nenaudokite elektros prietaiso su sugedusiu jungikliu.** *Elektros prietaisas, kurio nebegalima įjungti ar išjungti, yra pavojingas ir jį reikia remontuoti.*

- c) Prieš reguliuodami prietaisą, keisdami darbo įrankius arba prieš sandėliavimą ištraukite kištuką iš elektros lizdo ir/arba atjunkite akumuliatorių. *Ši saugumo priemonė apsaugos jus nuo netikėto prietaiso įsijungimo.*
- d) Nenaudojamą prietaisą sandėliuokite vaikams ir nemokantiems juo naudotis arba nesupažinusiems su instrukcija asmenims neprieinamoje vietoje. *Elektriniai įrankiai yra pavojingi, kai juos naudoja nepatyrę asmenys.*
- e) rūpestingai prižiūrėkite prietaisą. Patikrinkite, ar besisukančios prietaiso dalys tinkamai veikia ir niekur nekliūva, ar nėra sulūžusių ar šiaip pažeistų dalių, kurios įtakotų elektros prietaiso veikimą. Jeigu yra gedimai suremontuokite prietaisą. *Daugelio nelaimingų atsitikimų priežastis yra blogai prižiūrimi elektros prietaisai.*
- f) Pjovimo įrankiai turi būti aštrūs ir švarūs. *Rūpestingai prižiūrėti elektros prietaisai su aštriais pjovimo įrankiais yra lengviau valdomi ir juos geriau kontroliuoti.*
- g) Elektros prietaisą, papildomus įrankius, darbo įrankius ir t.t. naudokite tik pagal instrukciją, turėdami omeny darbo sąlygas bei atliekamo darbo pobūdį. *Elektros prietaiso naudojimas ne pagal paskirtį gali sukelti pavojingas situacijas.*
- h) Jeigu prietaisas nebuvo naudojamas ilgesnį laiką arba yra naudojamas žemos temperatūros sąlygose, įjunkite jį kelioms minutėms be apkrovos tam, kad tepalas tinkamai pasiskirstytų pavaros mechanizme.
- i) Elektros prietaisus valykite minkštu, drėgnu (ne šlapiu) skuduru ir muilu. Nenaudokite benzino, tirpiklių bei kitų priemonių galinčių pažeisti prietaisą.
- j) Elektros prietaisą laikykite/transportuokite tik po to, kai įsitikinsite, kad jo visos besisukančios dalys yra užblokuotos ir saugomos originaliomis, specialiai tam skirtomis detalėmis.
- k) Elektros prietaisą laikykite sausoje, apsaugotoje nuo dulkių bei drėgmės vietoje.
- l) Elektros prietaisą transportuokite originalioje pakuotėje, saugančioje nuo mechaninių pažeidimų.



**ĮSPĖJIMAS!** Bendri įspėjimai dėl saugaus įrankio naudojimo.

#### Remontas:

- a) Prietaisą turi remontuoti tik kvalifikuotas specialistas, naudojantis tik originalias atsargines dalis. *Tik tokiu atveju elektros prietaiso naudojimas bus saugus.*



**ĮSPĖJIMAS!** Saugaus darbo ELEKTRINIŲ OBLIUMI nuorodos:

- a) Elektros prietaisą atidėkite tik po to, kai peilinis velenas visiškai sustoja. *Peilinis velenas gali užkliudyti paviršiu, o tai gali būti sunkių sužalojimų priežastimi.*
- b) Nedėkite rankų į drožlių išmetimo antgalį. *Besisukančios dalys gali sužaloti rankas.*
- c) Elektros prietaisą įjunkite ir tik įjungtu pradėti medžiagos apdorojimą. *Kitu atveju yra medžiagos atmetimo pavojus, jeigu prietaisas užsiblokuoja apdorojamoje medžiagoje.*
- d) Darbo metu oblių laikykite taip, kad prietaiso pamatas priglustu prie apdorojamos medžiagos. *Kitu atveju oblius gali persilenkti drožimo metu ir sukelti sužalojimus.*

- e) Apdorojamame paviršiuje negali būti metalinių daiktų, vinių arba sraigčių. *Jie gali sugadinti peilį ir peilio veleną, tokiu atveju didėja virpesių lygis.*
- f) Apdorojamą medžiagą būtina pritvirtinti. *Dirbti su pritvirtinta tvirtinimo įrankyje arba užspaudinta spaustuvoje apdorojama medžiaga yra saugiau negu laikanti ją rankose.*
- g) Draudžiama naudoti elektros prietaisą, jeigu jo maitinimo laidas yra pažeistas. *Draudžiama liesti pažeistą maitinimo laidą; jeigu maitinimo laidas pažeidžiamas darbo metu, nedelsiant ištraukti kištuką iš lizdo. Pažeistas maitinimo laidas didina elektros smūgio riziką.*

**DĖMESIO!** Jeigu sugedo elektros prietaiso laidas, kuriuo negalima atjungti, pakeisti jį galima tik specialiu laidu arba laidu prieinamu pas gamintoją arba specializuotame remonto punkte.

#### **ELEKTRINIO OBLIAUS SANDARA IR PASKIRTIS:**

Elektrinis oblius - tai įrankis skirtas drožimui, briaunų fazavimui, špuntavimui medienoje ir panašiose į medieną medžiagose. Tai antros klasės įrenginys (dviguba izoliacija) su vienfaziu varikliu.

*Kategoriskai draudžiama naudoti prietaisą kitiems tikslams.*

Nenaudoti obliaus kaip stacionaraus prietaiso.

**Įrenginys nėra skirtas profesionaliam naudojimui dirbtuvėse arba pramonėje. Garantija prarandama jeigu prietaisas buvo naudojamas pramoninėse dirbtuvėse arba panašioms darbams.**

Elektrinį oblių gali naudoti bei jį remontuoti tik asmenys susipažinę su juo techninėmis duomenimis bei su saugaus darbo taisyklėmis. Visada laikykites saugos nuorodų bei darbo higienos reikalavimų.

Tinkamas elektrinio obliaus naudojimas taip pat apima valymą, laikymą (sandėliavimą), transportavimą bei remontą. Obliaus remontas turi būti atliekamas tik techninio aptarnavimo punktuose nurodytuose gamintojų. Obliaus maitinamo elektra remontą gali atlikti tik įgaliojimus turintis asmenys.

Nepaisant tinkamo ir pagal paskirtį prietaiso naudojimo negalima visiškai išvengti rizikos. Galimi rizikos atvejai:

- Kūno sužalojimai dėl kontakto su besisukančiomis prietaiso dalimis.
- Apdorojamos medžiagos arba jos atplaišų atmetimas.
- Klausos organų pažeidimas dėl klausos apsaugos priemonių nenaudojimo.
- Kenksmingų dulkių poveikis dirbant uždarose patalpose.
- Ilgalaikio darbo metu pavojus sveikatai. Tokiu atveju darykite pertraukas.
- Susižalojimai keičiant darbo įrankius, peilius bei kitas detales.

#### **■ Komplektavimas**

- Elektrinis oblius - 1 vnt.
- Vedžioklis lygiagračiam drožimui - 1 vnt.
- Kampamatis vedžioklio tvirtinimui - 1 vnt.
- Kampamachio tvirtinimo sriegis - 1 vnt.
- Vedžioklio tvirtinimo prie kampamachio sriegis - 1 vnt.
- Padėklas - 1 vnt.
- Vedžioklio tvirtinimo prie kampamachio veržlė - 1 vnt.
- Špuntavimo gylis ribotuvas - 1 vnt.
- Špuntavimo gylio ribotuvo tvirtinimo sriegis - 1 vnt.
- Maišas drožlėms - 1 vnt.
- Dėžutė raktams laikyti - 1 vnt.
- Raktas M8 - 1 vnt.
- Imbusinis raktas - 1 vnt.

- Atsarginis pavaros diržas - 1 vnt.
- Aptarnavimo instrukcija - 1 vnt.
- Garantinis lapas - 1 vnt.

#### ■ Prietaiso dalis

Prietaiso dalių numeracija atitinka grafinėms piešinims 2-4 puslapiuose aptarnavimo instrukcijos:

- Pav. A:**
1. Drožimo gylio skalė
  2. Drožimo gylio reguliavimo rankena
  3. Drožlių išmetimo antgalis
  4. Rankena
  5. Saugos mygtukas
  6. Jungiklis
  7. Anga raktų dėžutei
  8. Varomojo diržo gaubtas
  9. Anga vedžioklio lygiagrečiam drožimui tvirtinimui
  10. Maišas drožlėms
  11. Špantavimo gylio ribotukas
  12. Špantavimo gylio ribotuvo tvirtinimo sriegis
  13. Kampamatis vedžioklio tvirtinimui
  14. Sriegis vedžioklio lygiagrečiam drožimui prie kampamačio tvirtinimui
  15. Kampamatis tvirtinimo sriegis
  16. Padėklas
  17. Vedžioklio tvirtinimo prie kampamačio veržlė
  18. Dėžutė raktams laikyti
  19. Raktas M8
  20. Imbusinis raktas
  21. Vedžioklis lygiagrečiam drožimui
  22. Varomasis diržas
- Pav. D:** 23. V tipo griovelis briaunų fazavimui
- Pav. H:** 24. Sraigtai peilio aukščio nustatymui
25. Dvipusis peilis
  26. Galinė pagrindinės plokštės dalis
  27. Peilio laikiklio sriegiai
  28. Užveržimo plokštelė
  29. Judantis gaubtas
  30. Peilio laikiklis
  31. Peilių velenas
  32. Priekinė pagrindinės plokštės dalis
- Pav. J:** 33. Varomojo diržo gaubto tvirtinimo sriegiai

#### TECHNINIAI DUOMENYS:

Nominali įtampa	230-240 V
Nominalus dažnis	50 Hz
Nominalus pajėgumas	900 W
Apsukimų greitis be apkrovos	16000/min
Drožimo plotis	82 mm
Drožimo gylis	0-3 mm
Prietaiso klasė	II
Svoris	2,9 kg
Akustinio slėgio lygis $L_{pA}$ ( $K=\pm 3dB(A)$ )	91,2 dB(A)
Akustinio pajėgumo lygis $L_{WA}$ ( $K=\pm 3dB(A)$ )	102,2 dB(A)
Vidutinis vibravimo lygis pagal EN 60745-1:2009 normą (matavimo paklaida $K=1,5 m/s^2$ )	4,13 $m/s^2$

Pateiktas virpesių lygis yra reprezentatyvus pagrindiniams prietaiso

panaudojimams. Jeigu elektros prietaisas bus panaudotas kitiems tikslams arba su kitais papildomais darbo įrankiais bei jeigu nebus tinkamai prižiūrimas, virpesių lygis gali skirtis.

Pateiktos aukščiau priežastys gali padidinti vibracijų lygį darbo metu. Būtina panaudoti papildomas priemones, saugančias naudotoją nuo vibracijų pasekmių, pav.: prietaiso ir darbo įrankių priežiūra, veiksmų eilės nustatymas.

#### PARUOŠIMAS DARBUI:

1. Prieš pradėdamas darbą patikrinti ar pateikti prietaiso firminėje lentelėje duomenys atitinka elektros tinklo parametrus.
2. Įsitikinti, kad obliaus jungiklis (6) yra pozicijoje „išjungtas“, o saugos mygtukas (5) nėra paspaustas.
3. Prieš pradėdamas darbą patikrinkite peilių reguliaciją bei tvirtinimą (žiūrėkite : «Peilių keitimas»), taip pat patikrinkite ar sukamosios prietaiso dalis veikia gerai ir nėra užblokuotos, sugedusios, ar neturi plyšių. Kitu atveju prietaisas veiks blogai. Jeigu prietaisas sugedo, atiduokite jį remontui.
4. Jeigu darbo vieta yra nutolusi nuo elektros lizdo, naudokite tinkamą prailgintuvą (laidų skersmuo turi atitikti elektros srovę). Naudokite kuo trumpesnius prailgintuvus. Prailgintuvas visame ilgyje turi būti ištiestas.

**DĖMESIO:** Darbo metu naudokite viršutinių kvėpavimo takų apsaugos priemones (dulkių kaukę). Dėl saugos taip pat patartina naudoti drožlių maišą bei dulkių siurbį, kaip dulkių nutraukimo sistemą. Dulkių siurblys turi būti pritaikytas apdorojamų medžiagų drožlių siurbimui. Siurbimo vamzdį prijungti tiesiogiai prie drožlių išmetimo antgalio (3). DRAUDŽIAMA DIRBTI SU MEDŽIAGOMIS, KURIŲ SUDĖTYJE YRA ASBESTO.

#### ■ Drožlių maišo montavimas

Drožlių maišo galą (10) įdėkite į drožlių išmetimo antgalį (3) kuo giliau (žiūrėkite pav. B, 2 p.).

**DĖMESIO:** Reguliariai ištuštinkite drožlių maišą. Nuimkite drožlių maišą, atidarykite užtrauktuką ir ištuštinkite jį.

**Neįdėkite pirštų į drožlių išmetimo antgalį!** Jeigu drožlių išmetimo anga užsikimšo, atjunkite maitinimą ir pašalinkite drožlius medine lazdele arba suslėgtu oru.

#### ■ Drožimo gylio nustatymas (žiūrėkite pav. C, 2 p.)

Drožimo gylio reguliavimo rankena (2) galima nustatyti drožimo gylį nuo 0 iki 3,0 mm, naudojant tam skalę (1) (mastelis = 0,5 mm):

- sukimas prieš laikrodžio rodyklę mažina drožimo gylį;
- sukimas pagal laikrodžio rodyklę didina drožimo gylį.

#### APTRANAVIMAS:

##### ■ Jungimas / išjungimas

• Prietaisas turi saugos mygtuką (5), kuris saugo nuo atsitiktinio prietaiso įjungimo. Norėdami įjungti prietaisą paspauskite saugos mygtuką, o po to paspauskite paleidimo jungiklį (6) ir laikykite jį šitoje pozicijoje. Dėl saugumo jungiklio blokavimas darbo metu neįmanomas.

• Norėdami išjungti prietaisą, paleiskite paleidimo jungiklį (6).

##### ■ Plokštumos drožimas

Nustatyti pageidaujamą drožimo gylį ir pridėti prietaisą priekine pagrindinės plokštės dalimi (32) prie apdorojamo daikto.

**DĖMESIO:** Atmetimo pavojus! Drožimą pradėti po to, kai drožimo velenas dirba maksimalia galia.

Jungti prietaisą į laikyti abejomis rankomis, tolygiai vedžioti visame paviršiuje, pagrindines plokštes priekinė ir užpakaline dalis turi glaudžiai susiliesti su paviršiumi.



**DĖMESIO:** Maitinimo laidas turi būti saugiam atstume nuo besisukančių prietaiso dalių. Maitinimo laidas turi būti už elektros prietaiso.

Norėdami gauti kuo geresnį rezultatą, lengvai vedžiokite oblių paviršiuje ir pasistenkite tolygiai prispausti jį.

Kietų medžiagų apdorojimui, pav. kietos medienos, arba naudojant maksimalų drožimo plotį, nustatykite tik negilų drožimo lygį ir pagal poreikį mažinkite stūmimą.

Pernelyg greitas stūmimas mažina paviršiaus apdorojimo kokybę ir gali būti prietaiso perkrovimo priežastimi bei greito drožių išmetimo angos užsikimšimo.

Jeigu paviršius turi būti maksimaliai lygus, nustatykite mažą drožimo gylyį ir apdorokite paviršių kelis kartus.



**DĖMESIO:** Drožimo veleno užblokavimo (31) atveju, nedelsiant atjungti prietaisą nuo maitinimo ir pašalinti blokavimo priežastį, patikrinti peilių būklę. Nenaudoti prietaiso, jeigu jo dalis yra pažeistos.

#### ■ Briauną fazavimas (žiūrėkite pav. D, 3 p.)

Greitas ir lengvas briaunų 45° kampu fazavimas galimas V tipo griovelio dėka (23). Obliaus griovelį uždekite ant briaunos ir veskite išilgai. Darykite tai tolygiai, o kampas visą laiką turi būti toks pat.

**DĖMESIO:** Tik aštrių peilių naudojimas leidžia gauti gerą rezultatą ir saugo prietaisą nuo gedimo.

#### ■ Drožimas panaudojant vedžioklį

Įpjovų drožimas yra galimas naudojant vedžioklį (21), kuris montuojamas kampamačio dėka (13) pagal pav. E 3 p.

Pagal poreikį galima užmontuoti špuntavimo gylio ribotuvą (11).

Norėdami nustatyti reikiamą špuntavimo gylyį atlaisvinkite veržlę (17), pastumkite vedžioklį pagal kampamatį iki reikiamo dydžio ir vėl užsukite veržlę (17).

Atsukite sriegį (12) ir nustatykite reikiamą špuntavimo gylyį naudojant tam špuntavimo gylio ribotuvą (11) (žiūrėkite pav. F).

Kelias kartus apdorokite paviršių iki tol, kol gausite reikiamą gylyį. Oblių veskite spaudžiant jį iš šono (žiūrėkite pav. G).

#### PEILIŲ KEITIMAS:



**DĖMESIO!** Prieš pradėdami bet kokius aptarnavimo darbus, ruošiant prietaisą darbui įsitinkinkite, kad prietaisas yra atjungtas nuo elektros maitinimo.

Oblius turi du peilius iš tvirto metalo lydinio. Peiliai turi du ašmenis ir galima naudoti jų abi puses. Vedančiojo peilių griovelio dėka galima nustatyti tokį patį aukštį.

**DĖMESIO:** Peilių negalima galqstyti! Sunaudotus, neaštrius ir pažeistus peilius būtina keisti. Naudokite **Centrolock HM** tipo peilius, kurių dydis 6 x 1 x 82 mm.

**ĮSPĖJIMAS:** Keičiant peilius dėvėkite apsaugines pirštines ir būkite itin atsargus. Neleiskite peilio ašmenis. Yra susizalojimo pavojus.

#### ■ Peilio nuėmimas (žiūrėkite pav. H, 4 p.)

Norėdami pasukti arba pakeisti peilį (25), atlikite šiuos veiksmus:

- apsukite drožimo veleną (31) taip, kad būtų priėjimas prie peilio laikiklio sriegių (27);
- nuvalykite peilio laikiklį (30);

- atviruoju raktu M8 (19) (yra dėžutėje (18)) atsukite tris peilio laikiklio (27) varžtus ant drožimo veleno (31).
- išstumkite peilį iš veleno, naudojant tam medinį elementą.

#### ■ Peilio montavimas

Prieš montavimą kruopščiai nuvalykite jo montavimo vietą. Naują peilį įdėkite tarp laikiklio (30) ir užveržimo plokštelės (28).

**DĖMESIO:** Užveržimo plokštelėje randasi įdubimai leidžiantis nustatyti peilį rankenos atžvilgiu. Patikrinkite ar peilis ir plokštelė glaudžiai priglusta prie peilio laikiklio, o ašmenis linija yra idealiai lygiagreči velenui. Jeigu peiliai yra tinkamai nustatyti, tai ašmenis linija turi idealiai atitikti pagrindines plokštes užpakalinei daliai (25) (žiūrėkite pav. I, 4 p.). Pagal poreikį peilių padėtį galima reguliuoti imbusiniu raktu (20), sukant juo peilio aukščio nustatymo sraigtus (24).

Įsitinkinkite, kad peilio padėties veleno atžvilgiu yra tinkama ir užsukite tris tvirtinimo sriegius (27).

**DĖMESIO:** Peilius visada keiskite poromis, o jų parametrai turi būti tokie pat. Tai leis tinkamai nustatyti veleną.

Prieš įjungimą patikrinkite sriegius (27). Ranka pasukite drožimo veleną (31) ir įsitinkinkite, kad viskas gerai, niekas nekliud.

#### ■ Varomajo diržo keitimas

Norėdami pakeisti varomąjį diržą (22), atlikite šiuos veiksmus:

- kryžminių atsuktuvu atsukite tris diržo gaubto tvirtinimo sriegius (33) ir nuimkite gaubtą (8) (žiūrėkite pav. J, 4 p.);
- nuimkite pažeistą varomąjį diržą (22) (žiūrėkite pav. K, 4 p.);
- nuvalykite diržo ratus teptuku;
- įdėkite naują diržą mažesnio rato grioveliuose ir sukant uždekite ant didesnio rato;
- uždekite diržo gaubtą ir užsukite sriegius.

#### LAIKYMAS IR VALYMAS:

Prietaisas beveik nereikalauja specialios priežiūros. Prietaisą laikykite vietoje nepasiekiamoje vaikams; prietaisas turi būti švarus bei saugomas nuo dulkių ir drėgmės. Laikymo sąlygos turi užtikrinti saugumą nuo mechaninių pažeidimų bei oro sąlygų poveikio.

Po darbo nuvalyti prietaisą nuo drožių ir dulkių. Rekomenduojama prapūsti visas ventiliacines angas suslėgtu oru. Tokiu būdu bus saugomi guoliai, pašalintos dulksės, kurios gali blokuoti variklį.

Prietaisą valykite švarių, drėgnų skudurėlių bei nedidelių muilo kieku. Nenaudokite valymo priemonių bei tirpiklių; jie gali pažeisti plastmasines dalis. Įvaidų negali patekti vanduo.

Pjovimo įrankiai turi būti švarus ir aštrus.

#### TRANSPORTAVIMAS:

Prietaisą transportuokite ir laikykite pakuočioje, saugančioje nuo drėgmės, dulkių ir smulkių elementų įsiskverbimo, ypač saugokite ventiliacines angas. Smulkus elementai, kurie pateks į korpusą gali būti variklio gedimo priežastimi.

#### APLINKOS APSAUGA:



**DĖMESIO:** Pateiktas simbolis reiškia, kad panaudotus prietaisus draudžiama išmesti kartu su kitomis atliekomis (už pažeidimų gresia piniginė bausmė). Panaudoti elektros prietaisai bei elektroninės dalis ir komponentai turi neigiamą poveikį aplinkai ir žmonių sveikatai.

Namų ūkis turėtų prisidėti prie panaudotos įrangos utilizavimo bei pakartotino medžiagų panaudojimo (perdirbimo). Lenkijoje ir Europoje



yra kuriama arba jau veikia panaudotos įrangos surinkimo sistema. Todėl visi paminėtos įrangos pardavimo taškai yra įpareigoti priimti panaudotą įrangą. Be to yra specialūs panaudotos įrangos priėmimo taškai.

**GAMINTOJAS:**

PROFIX Sp. z o.o.; Marywilka 34, 03-228 Varšuva, Lenkija

Šis prietaisas atitinka šalies bei Europos reikalavimus bei visus saugos reikalavimus.

**DĖMESIO!** Prietaiso remontą gali atlikti tik kvalifikuotas personalas, naudojant tik originalias atsargines dalis.

**PIKTOGRAMAI:**

Paveikslėlių esančių prietaiso firminėje lentelėje ir informaciniuose lipdukuose paaiškinimas:



– «Prieš įjungdami perskaitykite naudojimo instrukciją!»



– «Visada dėvėkite apsauginius akinius!»



– «Naudokite klausos apsaugos priemones!»



– «Naudokite dulkių kaukę!»

**TIPISKI GEDIMAI IR JŲ ŠALINIMAS:**

PROBLEMA	SPĖJAMA PRIEŽASTIS	PROBLEMOS SPRENDIMAS
Oblius neveikia.	Nėra maitinimo, variklio arba jungiklio gedimas.	Patikrinti ar maitinimo laidas gerai įjungtas, patikrinti saugiklius. Jeigu elektros srovė yra, o elektros prietaisas neveikia, išsiųsti prietaisą į remontui nurodytu garantiniame lape adresu.
Variklis blogai veikia.	Susidėvėjo anglies šepetėliai.	Pakeisti anglies šepetčius aptarnavimo punkte.
Drožimo velenas nesisuka.	Pažeistas varomasis diržas.	Pakeisti diržą (žiūrėkite: «Varomojo diržo keitimas»)



PROFIX įmonė siekia tobulinti savo produktus, todėl gali keistis produktų specifikacijos. Apie šiuos pasikeitimus įmonė nėra įpareigota nepranešti. Paveikslėliai esantis aptarnavimo instrukcijoje tai tik pavyzdžiai bei gali skirtis nuo nusipirkto prietaiso.


Ši instrukcija yra apsaugojama autoriaus teise. Kopijavimas/plėtojimas be PROFIX Sp. z o.o. leidimo raštu draudžiamas.



**HASZNÁLAT ELŐTT OLVASSA EL EZEKET AZ UTASÍTÁSOKAT!**

Tartsa meg ezt az útmutatót későbbi tájékozódás céljából!



**FIGYELEM!** Olvassa el a  szimbólummal jelzett, a munkavédelemmel kapcsolatos összes figyelmeztetést és a biztonságos használatra vonatkozó összes utasítást!

A következő biztonsági előírások be nem tartása miatt baleset, áramütés, tűzveszély és/vagy komoly sérülés fordulhat elő

**Őrizz meg az összes munkavédelmi figyelmeztetést és utasítást későbbi felhasználás céljából!**

*Az alábbi figyelmeztetések során használt „elektromos szerszám” kifejezés olyan szerszámot jelöl, melynek áramellátása hálózatról (tápkábellel) vagy akkumulátorral (kábel nélkül) történik.*



**FIGYELEM!** Általános munkavédelmi szabályok:  
Munkahelyi biztonság:

- Tartsa tisztán a munkaterületét és ügyeljen a jó megvilágításra! A munkaterületén uralkodó rendetlenség balesetekhez vezethet.
- Ne dolgozzon elektromos szerszámmal robbanásveszélyes környezetben, gyulladásveszélyes folyadékok, gázok vagy folyadékok közelében. Az elektromos szerszámok használata során szikra keletkezhet, mely belobbanhatja a port és a gőzöket.
- Tartsa távol a gyermekeket attól a helytől, ahol használja az elektromos szerszámot. A figyelemelterelés miatt elveszítheti kontrollját az elektromos szerszám felett.



**FIGYELEM!** A szerszám biztonságos használatával kapcsolatos általános szabályok:

Elektromos biztonság:

- Az elektromos szerszám csatlakozó dugója meg kell feleljen az aljzattal. Tilos a csatlakozó dugó módosítása! Tilos hosszabbítók használata a védőföldeléses kábelrel ellátott elektromos szerszámok esetében! A csatlakozó dugók és aljzatok módosítása növeli az áramütés kockázatát!
- Kerülje a testi érintkezést a földelt felületekkel vagy tárgyakkal, mint a csövek, fűtőtestek, fűtőrádiátorok vagy hűtőszekrények! A földelt részekkel való érintkezés esetén nő az áramütés kockázata!
- Ne tegye ki esőnek vagy nedves környezetnek az elektromos szerszámot! *Víz behatolása esetén nő az áramütés kockázata!*
- Ne erőltesse a csatlakozó kábel! Ne használja a hálózati kábelt a szerszám mozgatására, húzására vagy a csatlakozó dugó aljzattól történő kihúzására. Tartsa távol a hálózati kábelt hőforrásoktól, olajtól, éles szélektől és mozgó alkatrészekről! A sérült vagy összegabalyodott kábelek növelik az áramütés kockázatát!
- Amennyiben az elektromos szerszámot a szabadban használja, a csatlakozást a szabadban történő használatra alkalmas kültéri hosszabbítókkal kell megoldani. A szabadban

történő használatra alkalmas hosszabbítók használata csökkenti az áramütés kockázatát.

- Amennyiben az elektromos szerszámot nedves környezetben használja, elkerülhetetlen egy feszültségvédelmi eszköz használata, mint egy hibaáram védelmi kapcsolóé (RCD). Az RCD használata csökkenti az áramütés kockázatát.



**FIGYELEM!** A szerszám használatának biztonságával kapcsolatos általános figyelmeztetések:

Személyi biztonság:

- Ez a berendezés nem használható csökkentett fizikai, szenzoriális vagy mentális képességű személyek (beleértve a gyermekeket is), tapasztalattal nem rendelkező személyek vagy olyan személyek által, akik nem ismerik a berendezést, kivételt képeznek azok a helyzetek, amikor a berendezés használata felügyelet alatt vagy a használati utasítások betartásával történik egy, a biztonságért felelős személy által.
- Legyen figyelmes, összpontosítson arra, amit csinál és legyen mindig annak tudatában, hogy elektromos szerszámmal dolgozik! Ne használja az elektromos szerszámot, ha fáradt, ha kábítószert, alkoholt vagy gyógyszer befolyása alatt áll! Elektromos szerszám használatánál egy pillanatra figyelmen kívül hagyása komoly sérülések okozója lehet!
- Hordjon védőruházatot! Minden esetben viseljen védőeszközöket! Olyan védőruházat hordása mint a porvédő maszk, csúszásbiztos cipő, fülvédő vagy hallásvédő csökkenti a sérülések kockázatát!
- Kerülje el, hogy az elektromos szerszám véletlenül bekapcsoljon! A hálózati áramforrásra történő csatlakozás és/vagy az akkumulátor csatlakoztatása, valamint a szerszám felemelése vagy mozgatása előtt, győződjön meg arról, hogy az elektromos szerszám kapcsolója kikapcsolt állapotban van! Az elektromos szerszám mozgatása vagy bekapcsolt állapotban történő használata balesetet okozhat!
- Az elektromos szerszám beindítása előtt távolítsa el minden szerszámot a közelből! Az elektromos szerszám mozgó részein hagyott szerszámok sérüléseket okozhatnak!
- Ne hajtjon le mélyen! Álljon biztosan és tartsa meg az egyensúlyát! Ez az elektromos szerszám jobb ellenőrzését teszi lehetővé váratlan helyzetekben.
- Öltözzön fel megfelelően! Ne hordjon bő ruházatot vagy ékszert! Haját kösse be, ruházatát és kesztyűjét tartsa távol a mozgó alkatrészekről! A bő ruházat, az ékszer és a hosszú haj beleakadhat a mozgó alkatrészekbe.
- Amennyiben a berendezés alkalmas külső porszívó és porgyűjtő csatlakoztatására, győződjön meg arról, hogy ezek helyesen lettek csatlakoztatva és használva. A porgyűjtő használata csökkentheti a porral járó veszélyek kockázatát.



**FIGYELEM!** A szerszám biztonságos használatára vonatkozó általános figyelmeztetések:

**Az elektromos szerszám használata és gondozása:**

- Ne terhelje túl az elektromos szerszámot! Az elvégzendő munkához szükséges teljesítmény függvényében használjon elektromos szerszámokat! A megfelelő elektromos szerszám jobb működést és biztosabb terhelést tesz lehetővé.
- Tilos az elektromos szerszám használata, ha a kapcsoló nem indítja el és nem állítja meg a szerszámot! Minden elektromos szerszám, amely nem indul el vagy nem áll meg, veszélyes és meg kell javítani!
- Minden beállítás, alkatrészcsere vagy tárolás előtt húzza ki a csatlakozó dugót az elektromos szerszám hálózati áramforrásából és/vagy vegye ki az akkumulátort! Ezek a biztonsági intézkedések csökkentik az elektromos áram véletlenszerű bekapcsolását.
- A használaton kívüli elektromos szerszámot gyermekektől távol kell tárolni, és nem szabad kölcsön adni olyan személyeknek, akik nem ismerik az elektromos szerszámot vagy nem olvasták el annak használati utasításait! Az elektromos szerszám veszélyes, ha tapasztalat nélküli személy használja!
- Az elektromos szerszámot karban kell tartani! Ellenőrizni kell a mozgásban lévő alkatrészek vonalbeállítását vagy zavarát, az alkatrészek törését és egyéb tényezőket, melyek befolyásolhatják az elektromos szerszám működését! Ha rongálódást észlelünk, az elektromos szerszámot még használat előtt meg kell javítani! Számos baleset oka az elektromos szerszám nem megfelelő karbantartása.
- A vágószerszámok élesek és tiszták kell legyenek! A vágószerszámok éles alkatrészeinek karbantartása csökkenti az anyagba történő beakadás kockázatát és megkönnyíti a használatot.
- Az elektromos szerszámot, a berendezést, a munkaszerszámokat, stb. jelen utasításoknak megfelelően kell használni, figyelembe véve a munka jellegét és feltételeit. Az elektromos szerszám rendeltetésétől eltérő használata veszélyes helyzeteket okozhat.
- Alacsony hőmérsékleten vagy hosszabb használaton kívüli időszakot követően ajánlott az elektromos szerszám teher nélküli elindítása néhány percre a kenőanyag átviteli mechanizmusba történő helyes elosztása érdekében.
- Az elektromos szerszám tisztításához puha, nedves (nem vizes) rongyot és szappant használjon! Ne használjon benzint, oldószert vagy egyéb anyagokat, amelyek károsíthatják a berendezést!
- Az elektromos szerszámot csak azután lehet tárolni/szállítani, miután megbizonyosodtunk arról, hogy minden mozgó eleme rögzítésre és biztosításra került a rögzítésre szánt eredeti elemek segítségével.
- Az elektromos szerszámot száraz helyen kell tartani, védve a portól és a nedvségtől.
- Az elektromos szerszám szállítása az eredeti csomagolásban történhet, megvédve ezáltal a mechanikai sérülésektől.



**FIGYELEM!** A szerszám biztonságos használatára vonatkozó általános figyelmeztetések:

**Javítás:**

- Az elektromos szerszám javítását olyan szakemberek végezhetik, akik eredeti cserealkatrészeket használnak. Ez biztosítja azt, hogy az elektromos szerszám használata biztonságosan történik.



**FIGYELEM!**

**ELEKTROMOS GYALU, biztonságra vonatkozó figyelmeztetések:**

- Várja meg, amíg a késtengely megáll, mielőtt letenné az elektromos szerszámot! A kitett késtengely beleakadhat a felületbe, ami a szerszám feletti ellenőrzés elvesztéséhez vezet, ez pedig súlyos sérüléseket okozhat!
- Ne nyúljon a fűrészpör szivattyúba! A mozgásban lévő alkatrészek miatt fennáll a sérülés veszélye!
- Az elektromos szerszámot még azelőtt indítsa el, hogy a maró hozzáérne a megmunkálni kívánt anyaghoz! Ellenkező esetben fennáll a visszaugrás veszélye, amikor a használt szerszám a megmunkált tárgyba elzáródik.
- Az elektromos gyalut úgy kell tartani megmunkálás közben, hogy az elektromos gyalu alapzata a megmunkálandó anyaggal egy síkban legyen. Ellenkező esetben az elektromos gyalu eldőlhet gyaluzáskor, ez sérüléseket okozhat.
- Ne munkáljon meg olyan anyagokat, melyek fémtárgyakat, szegeket vagy csavarokat tartalmaznak! Ez megrongálhatja a kést és a késtengelyt, illetve növelheti a vibrációs szintet.
- Biztosítsa a megmunkálandó elemet! Bizonyosodjon meg arról, hogy minden rögzítő elem jól meg van szorítva és ellenőrizze, hogy ne legyenek túl nagy hézagok! A megmunkálandó elem rögzítő elembe vagy a satuba történő rögzítése biztosabb, mint az elem kézben tartása.
- Tilos az elektromos szerszám sérült elektromos kábellel történő használat! Ne érintse meg a sérült kábelt; a használat közbeni kábel sérülés esetén húzza ki a csatlakozó dugót az aljzatból! A sérült kábel növeli az áramütés kockázatát!

**FIGYELEM!** Amennyiben a le nem szerelhető tápkábel megsérül, speciális kábelrel vagy kábelgyűttessel kell kicserélni, mely a gyártótól vagy szakszerviztől szerezhető be.

**AZELEKTROMOS GYALU RENDELTEZÉSE ÉS FELÉPÍTÉSE:**

Az elektromos gyalu egy olyan szerszám, amely kézi gyaluzásra, peremek leszelésére, fa és faszármarék anyagok kötésének elvégzésére alkalmas. Második érintésvédelmi osztályú (kettős szigetelés) gép, melyet egy monofázisú motor működtet.

*Kifejezetten tilos a gép más célból történő használata!*

Ne használja az elektromos gyalut rögzített gépként!

Ne használja a szerszámot olyan munkák elvégzésére, melyek professzionális készülékek használatát igénylik!

A garancia szerződés érvényét veszíti, amennyiben a berendezést kézműves műhelyek, ipari üzemek vagy hasonló tevékenységek során használják!

Az elektromos készülék minden olyan használat, amely eltér a fent említett rendeltetésétől, tilos és a garancia elvesztéséhez vezet, a gyártó nem felelős az ezekből eredő károkról.

A készülék összes, a felhasználó által végzett módosítása mentesíti a gyártót a felelősség alól a felhasználónak és a környezetnek okozott károkért.

Ugyanakkor az elektromos szerszám megfelelő használata a karbantartásra, tárolásra, szállításra és javításra is vonatkozik.

Az elektromos szerszámot csak a gyártó által megjelölt javítóműhelyekben javítható! A hálózatra kötött készülékeket csak engedélyezett személyek javíthatják!

Egyes reziduális kockázati tényezők még abban az esetben sem küszöbölhetőek ki teljesen, ha a készüléket a rendeltetésnek megfelelően használták. Az építési módtól és felépítéstől függően a következő kockázatok jelenhetnek meg:

- a megmunkált tárgy vagy annak egyes részeinek visszaugrása (visszapattanása);
- halláskárosodás a szükséges hallásvédő használatának hiányában;
- egészségre káros fűrészpör kibocsátások a munkálatok zárt helyen történő végzésekor.

#### ■ Kiegészítés

- Elektromos gyalu - 1 db.
- Elektromos gyalu párhuzamos vezető - 1 db.
- Vezetőt rögzítő szegletvas - 1 db.
- Szegletvasat rögzítő csavar - 1 db.
- Szegletvas vezetőt rögzítő csavar - 1 db.
- Alátétgyűrű - 1 db.
- Párhuzamos gyaluzás vezető rögzítő csavaranya szegletvashoz - 1 db.
- Maró mélységátaroló - 1 db.
- Marás mélységátaroló rögzítő csavar - 1 db.
- Fűrészpör zsák - 1 db.
- Kulcsrekesz - 1 db.
- M8-as kulcs - 1 db.
- Csőcsavar kulcs - 1 db.
- Tartalék hajtósíj - 1 db.
- Használati útmutató - 1 db.
- Garanciakönyv - 1 db.

#### ■ Aszerszám elemei:

A készülék alkatrészeinek számozása a használati utasítások 2-4 oldalain szereplő grafikus megjelenítésre vonatkozik:

**A. ábra:** 1. Gyalulási mélység skála

2. Gyalulási mélységet szabályozó gomb
3. Fűrészpör szivattyú fűvócsöve
4. Fogantyú
5. Biztonsági gomb
6. Be/kikapcsoló gomb
7. Rekeszbetét nyílása
8. Hajtósíj fedél
9. Párhuzamos vezető telepítési nyílás
10. Fűrészpör zsák
11. Maró mélységátaroló
12. Marás mélységátaroló rögzítő csavar
13. Vezetőt rögzítő szegletvas
14. Szegletvas vezetőt rögzítő csavar
15. Szegletvasat rögzítő csavar
16. Alátétgyűrű
17. Párhuzamos gyaluzás vezető rögzítő csavaranya szegletvashoz

18. Kulcsrekesz

19. M8-as kulcs

20. Csőcsavar kulcs

21. Elektromos gyalu párhuzamos vezető

22. Hajtósíj

**D. ábra:** 23. V típusú irányzórés peremek leszélezésére

**H. ábra:** 24. Késmagasság beállító csavar

25. Kétoldalas kés

26. Az alaplap hátulós része

27. Késtartó csavarok

28. Szorítólemez

29. Állítható védelem

30. Késtartó

31. Gyalutengely

32. Az alaplap elülső része

**J. ábra:** 33. Hajtósíj fedél rögzítőcsavarok

#### MŰSZAKI ADATOK:

Tápfeszültség	230-240 V
Tápfrekvencia	50 Hz
Teljesítmény	900 W
Forgási sebesség üresjáraton	16000 /perc
Gyaluzási szélesség	82 mm
Gyaluzási mélység	0-3 mm
Berendezés osztálya	II
Súly	2,9 kg
Hangnyomás szint LpA (K=±3dB(A))	91,2 dB(A)
Hangerő szint LwA (K=±3dB(A))	102,2 dB(A)
EN 60745-1:2009 standard szerinti vibrációs szint (K bizonytalanság =1,5m/s <sup>2</sup> ) a <sub>v</sub>	4,13 m/s <sup>2</sup>

Az említett vibrációs szint reprezentatív az elektromos készülék használata szempontjából. Amennyiben az elektromos készülék más célból vagy egyéb munkaeszközzel kerül használatra, illetve ha karbantartása nem megfelelő, a vibrációs szint eltérhet a megjelölttől. A fent említett okok a vibrációs expozíció szintje növekedéséhez vezethetnek a működés teljes ideje alatt.

Kiegészítő védelmi eszközöket kell használnia, melyek célja a vibrációs expozíció kezelőre gyakorolt hatásaitól való védelem, mint pl.: Elektromos készülék és munkaeszközök karbantartása, a kezek megfelelő hőmérsékletének biztosítása, a munkatevékenységek sorrendjének megállapítása.

#### HASZNÁLAT ELŐTT:

1. Bizonyosodjon meg arról, hogy az áramforrás a nominális táblán feltüntetett gép paramétereknek megfelelő paraméterekkel rendelkezik!
2. Bizonyosodjon meg arról, hogy az elektromos gyalu be/kikapcsoló gombja (6) kikapcsolt pozícióban van és a biztonsági gomb (5) szabad.
3. A munka megkezdése előtt ellenőrizze a vágókések rögzítésének helyességét és szilárdságát (lásd: «Kécek cseréje»), valamint ellenőrizze, hogy a készülék mobil alkatrészei megfelelően működnek-e és nincsenek blokkolva, megrepedve vagy megsérülve, ami kihatással lehet a készülék helyes működésére! A sért

szerszámot használat előtt meg kell javítani!

4. Amennyiben a mukavégzés helye távol van a csatlakozó aljzattól, a kábel megfelelő szakaszában hosszabbítót kell használni, az áthaladó áram nagyságától függően. Ajánlott minél rövidebb hosszabbítót használni! A hosszabbító teljesen ki kell legyen feszítve!

**FIGYELEM!** Gyaluzás közben használjon a felső légutak részére védelmet nyújtó felszerelést (pormaszkot)! Ugyanakkor, egészségügyi szempontból, munkavégzés közben mindig használjon fűrészpör-felfogó zsákokat vagy egy porszívót, mely por eliminálási rendszerként működik. A porszívó a megmunkált anyagokból szálló por vagy fűrészpör felszívására kell legyen kialakítva! A porszívó szívócsöve össze kell legyen kapcsolva egyenesen a fűrészpör szivattyú fúvócsövével (3)! **NE MUNKÁLJON MEG AZBESZT TARTALMÚ ANYAGOKAT!**

#### ■ Fűrészpörzsák behelyezése

Helyezze a lehető legmélyebben a fűrészpör zsák csőcsönkjét (10) a fűrészpörszivattyú fúvócsövébe (3) (lásd a B. ábrát, 2. oldal)!

**FIGYELEM!** A fűrészpör zsákját rendszeresen ki kell üríteni! Vegye ki a zsákokat, nyissa ki a cipzárt és ürítse ki!

**Ne tegye bele az újait a fűrészpör szivattyú fúvócsövébe!** A fűrészpör szivattyú fúvócsövének eltömítése esetén meg kell szakítania az áramellátást és egy fabot vagy sűrített levegő segítségével el kell távolítania a fűrészpört!

#### ■ A gyaluzási mélységének beállítása (lásd a C. ábrát, 2. oldal)

A gyaluzási mélység beállító gomb segítségével (2) a skála függvényében 0 és 3,0 mm közöttire állíthatja be a gyaluzási mélységet (1) (skálabeosztás = 0,5 mm).

- forgassa az órajárással ellentétes irányba a gyaluzási mélység csökkentése érdekében,
- forgassa az órajárással megegyező irányba a gyaluzási mélység növelése érdekében.

#### MUNKAVÉGZÉS KÖZBEN:

##### ■ Be/kikapcsolás

- A készülék egy biztonsági gombbal (5) van ellátva, amely megelőzi az elektromos gyalu véletlenszerű bekapcsolódását. Az elektromos gyalu bekapcsolásához először meg kell nyomni a biztonsági gombot, majd az elektromos gyalu be/kikapcsoló gombját (6), melyet ebben a pozícióban kell tartani! Biztonsági okokból nem lehetséges a be/kikapcsoló gomb a szerszám működése közbeni blokkolása.
- A készülék leállításához meg kell nyomni a be/kikapcsoló gombot (6)!

##### ■ Felületek gyaluzása

Állítsa be a kívánt gyaluzási mélységet és helyezze a készüléket a megmunkálandó tárgyra az alaplap elülső részével (32)!

**FIGYELEM:** Visszaugrás veszély! Akkor kezdje el a gyaluzási műveletet, miután a gyalutengely elérte a maximális fordulatot!

Kapcsolja be a gépet és mindkét kezével irányítson, mindkét kezével tolja a megmunkált felületre, vigyázzon, hogy az elülső és hátulsó rész teljesen a megmunkált tárgyra helyeződjön!

**FIGYELEM!** A tápkábel állandóan biztonsági távolságban kell legyen az elektromos szerszám mozgásban lévő alkatrészeihez képest. Ez mindig az elektromos szerszám mögött kell elhelyezkedjen!

A magas minőségű megmunkálás érdekében lassan kell haladnia és ugyanakkor próbálja meg a nyomást az elektromos gyalu alapzatára központosítani!

Kemény anyagok megmunkálása esetében, mint pl. keményfa, valamint

abban az esetben, ha a maximális gyaluzási szélességet választja ki, ki gyaluzási mélységet kell kiválasztania és amennyiben szükséges csökkenteni kell az elektromos gyalu előtölését!

A túl gyors előtölés csökkenti a felület megmunkálás minőségét és a készülék túlterheléséhez és a fűrészpör szivattyú gyors megtöltéséhez vezethet.

A felület végső megmunkálásához kis gyaluzási mélységet válasszon és többször is munkálja meg a felületet!

**FIGYELEM!** Amennyiben a gyalutengely (31) leáll, azonnal meg kell szakítani az áramellátást, vegye ki a leállást okozó munkadarabot, ellenőrizze a kések állapotát! Ne használjon sérült munkadarabokat!

##### ■ Peremleszélése (lásd a D. ábrát, 3. oldal)

A peremek 45°-ban történő könnyű és gyors leszélése a fölemez elülső részénél elhelyezett V típusú rések (23) köszönhetően válik lehetségessé. Az elektromos gyalu úgy kell tartani, hogy az irányzórés az adott peremre helyeződjön és annak felületén kell vezetni, figyelve az egyenletes mozgásra és a szög változatlan elhelyezkedésére!

**FIGYELEM!** Csak az éles kések biztosítják a jó minőséget és előzik meg az elektromos szerszám rongálódását!

##### ■ Párhuzamos vezetővel történő gyaluzás

A perem gyaluzása könnyebben végezhető a párhuzamos gyaluzási vezetővel (21), melyet a 3. oldalon lévő E rajznak megfelelően a szegletvassal (13) kell az elektromos szerszámmra szerelni. Amennyiben szükséges maró mélység határoló (11) is felszerelhető.

A leszéléshöz szükséges szélesség beállításához le kell csavarozni a csavaranyát (17), a szegletvas függvényében állítsa a vezetőt a kívánt méretre és csavarozza vissza a csavaranyát (17)!

Csavarozza ki a csavart (12) és a mélység határolóval (11) állítsa be a kívánt leszélési mélységet (lásd az F rajzot)!

Végezze el néhányszor a megmunkálási eljárást, míg eléri a kívánt leszélési mélységet! Mozdítsa el a gyalut, nyomja meg oldalról (lásd a G rajzot)!

##### KÉSEK CSERÉJE:



**FIGYELEM!** Mielőtt hozzálátna bármely, a készülék használatával és a működésre való felkészülésével kapcsolatos munkálathoz, bizonyosodjon meg arról, hogy a szerszám le van csatlakoztatva a hálózatról!

Az elektromos gyalu forgókésekkel van ellátva, melyek keményfémötvetből készültek. A késeknek két élük van és mindkét részen használhatók. A vezetőél biztosítja az ugyanazon a mélységen történő beállítást.

**FIGYELEM!** A keményfémötvetből készült kések nem élezhetők! Cserélje ki újakkal a használt, tompa és sérült késeket! Használjon **Centrolock HM** típusú 6x1x82mm-es méretű késeket!

**FIGYELMEZTETÉS!** Amikor késeket cserél, használjon védőkesztyűt és legyen óvatos! Ne fogja meg a kést az élenél! Az élhez való hozzáféréskor fennáll a sérülés veszélye!

##### ■ A kés eltávolítása (lásd a H. rajzot, 4. oldal)

A kés (25) forgatásához vagy cseréjéhez:

- forgassa el úgy a gyalutengelyt (31), hogy hozzáférjen a késtartó (27) csavarjaihoz!
- tisztítsa meg a késtartót (30)!
- a készlet részét alkotó M8-as lapos kulccsal (19) csavarozza ki a

késtartóból (27) a gyalutengelybe (31) csavarozott mindhárom csavart!

- egy fadarabbal vegye ki a kést a tengelyből!

### ■ Kés beszerelése

Az új kés beszerelése előtt precízen tisztítsa meg ennek helyét! Helyezze be az új kést a tartó (30) és a szorítólemez (28) közé!

**FIGYELEM!** A szorítólemezen a tartóhoz képest kés pozicionálási bemélyedések vannak. Ellenőrizze, hogy a tartó és a lemez pontosan a fogantyú tartóban vannak elhelyezve és hogy az él vonala tökéletesen párhuzamos a tengely felületével! A kések megfelelő beállítás esetén az él vonala megfelelő módon kellene csatlakozzon az alaplap hátsó részével (25) (lásd az I. rajtot, 4. oldal). Amennyiben csőcsavar kulccsal (20) szükséges módosítani a beállítást, forgassa el a csavarokat a késnyél magasságának beállításához (24)!

Bizonyosodjon meg arról, hogy a kések pozicionálása megfelelő a tengely mindkét gépfejéhez viszonyítva, és húzza meg erősen mindhárom rögzítő csavart (27)!

**FIGYELEM!** A késeket mindig párban cserélje ki azonos paraméterekkel! Ez biztosítja a forgó tengely kalibrálását.

Mielőtt újra bekapcsolná, ellenőrizze, hogy a csavarok (27) megfelelően meg lettek-e szorítva! Kezével forgassa el a gyalutengelyt (31) és győződjön meg arról, hogy a kés nem akad bele semmibe!

### ■ Hajtósíj cseréje

A hajtósíj (22) cseréjéhez:

- kereszt-csavarhúzóval csavarozza ki a hajtósíj fedelét (33) rögzítő három csavart és vegye le a fedélt (8) (lásd a J. rajtot, 4. oldal)!
- vegye ki a sérült hajtósíjat (22) (lásd a K. rajtot, 4. oldal)!
- ecsettel tisztítsa meg a síj kerekeit!
- helyezze az új hajtósíjat a kisebb síj kerekek árkaiba és forgatással helyezze azt a nagyobb kerékre!
- helyezze vissza és csavarokkal rögzítse a síj fedelét!

### TÁROLÁS ÉS KARBANTARTÁS:

A szerszám nem igényel speciális karbantartást. A szerszámot száraz helyen kell tárolni, gyermekektől távol, tisztán kell tartani, óvni a nedvességtől és a portól! A tárolási körülmények ki kell küszöböljék a mechanikus rongálódások vagy a különböző időjárási viszonyok káros hatásainak lehetőségét!

Munka végeztével tisztítsa meg a készüléket a fűrészporthoz és a portól! Azt ajánljuk, hogy fűjón sűrített levegőt a szellőzőnyílásokba – ez megelőzi a csapágyak korai elhasználódását és eltávolítja a port, amely gátolja a motor hűtése számára fontos levegővel való ellátást.

A készüléket tiszta és nedves vászonnal, kicsi mennyiségű szappannal kell megtörlölni! Ne használjon semmilyen tisztító- vagy oldószereket,

mert ezek megrongálhatják a gép műanyag alkatrészeit! Vigyázzon arra, hogy ne kerüljön víz a készülék belsejébe!

### SZÁLLÍTÁS:

A készüléket hordoládában kell szállítani és tárolni, amely megóvja a nedvességtől, a portól és a kisméretű tárgyaktól! Különösen a szellőzőnyílásokat kell védeni! A burkolatba bejutó kis elemek rongálhatják a motort!

### KÖRNYEZETVEDELEM:



**FIGYELEM!** Ez a jel azt jelöli, hogy a használt készüléket tilos egyéb hulladékkal egy helyen elhelyezni (pénzbüntetés terhe mellett). Elektromos és elektronikus gépek veszélyes alkotórészei negatívan befolyásolják a környezetet és az emberek egészségét.

Minden háztartásnak hozzá kell járulnia a használt készülékek visszanyeréséhez és újrahasznosításához. Úgy Lengyelországban, mint Európában megszervezik vagy már létezik a használt készülékek gyűjtési rendszere, melynek keretében az adott készülék minden értékesítési helyén kötelesek átvenni a használt készüléket. Ezenkívül léteznek ilyen típusú készülékek gyűjtő központjai.

### GYÁRTÓ:

PROFIX Sp. z o.o.

Marywilka u. 34, 03-228 Varsó, LENGYELORSZÁG

Jelen berendezés megfelel a nemzeti és európai szabályoknak, valamint a biztonsági előírásoknak.

**FIGYELEM!** Minden javítást szakképzett személy végezhet, kizárólag eredeti csereszerealkatrészt használva!

### PIKTOGRAMMOK:

A névleges táblázatban és a tájékoztató címkéken szereplő rajzok magyarázata:



– «Bekapcsolás és működtetés előtt olvassa el a használati utasításokat!»



– «Védőszemüveg használata kötelező!»



– «Hallásvédő használata kötelező!»



– «Pormasz használata kötelező!»

### TÍPIKUS MEGHIBÁSODÁSOK ÉS AZOK ELHÁRÍTÁSA:

MEGHIBÁSODÁS	LEHETŐSÉGEK	MEGOLDÁS
A gyalu nem működik.	Áramellátás hiánya, motor vagy kapcsoló meghibásodása.	Ellenőrizze, hogy a tápkábel helyesen van csatlakoztatva és ellenőrizze a biztosítékokat! Amennyiben az elektromos szerszám nem működik, noha biztosított az áramellátás, vigye el a garanciaupon megjelölt címen szereplő javítóműhelybe!
A motor működésében észlelt zavar.	Elhasználódott szénkefék.	Javítóműhelyben cseréltesse ki a szénkeféket!
A gyalutengely nem forog.	Hajtósíj megrongálódása.	Cserélje ki a síjat (lásd: «Hajtósíj cseréje»!).



A PROFIX cég politikája az, hogy folyamatosan tökéletesítse termékeit, ezért fenntartja magának azt a jogot, hogy a termék specifikációt előzetes tájékoztatás nélkül módosítsa! A használati utasításokban megjelölt ábrák csak példák, ezek kicsit eltérhetnek a megvásárolt eszköz valódi arculatától!

Jelen használati utasítást szerzői jogok védik. A PROFIX Sp. z o.o. társaság írásos hozzájárulása nélküli másolása/sokszorosítása tilos!

# PROFIX®

PROFIX Sp. z o.o.  
ul. Marywilka 34 03-228 Warszawa

DT-CZ/d\_zg/0055/03/07.2015

Łomna Las: 07.07.2015

(GB) EC DECLARATION OF CONFORMITY  
(PL) DEKLARACJA ZGODNOŚCI WE  
(RO) DECLARAȚIE DE CONFORMITATE CE

(LV) EK ATBILSTĪBAS DEKLARĀCIJA  
(LT) EB ATITIKTIES DEKLARACIJA  
(CZ) ES PROHLÁŠENÍ O SHODĚ

(HU) EK-MEGFELELŐSÉGI NYILATKOZATA

(GB) MANUFACTURER	(PL) PRODUKT	(RO) PRODUCĂTOR	(LV) RAŽOTĀJS	(LT) GAMINTOJAS	(CZ) VÝROBCE	(HU) GYÁRTÓ
----------------------	-----------------	--------------------	------------------	--------------------	-----------------	----------------

**PROFIX Sp. z o.o. ul. Marywilka 34, 03-228 Warszawa**

(GB) Person who was authorized to develop technical documentation:

(LT) Asmuo įgaliojtas parengti techninę dokumentaciją:

(PL) Osoba upoważniona do przygotowania dokumentacji technicznej:

(CZ) Osoba oprávněna připravit technickou dokumentaci:

(RO) Persoana împuternicită pentru pregătirea documentației tehnice:

(HU) Műszaki dokumentáció elkészítésére meghatalmazott személy:

(LV) Persona atbildīga par tehniskās dokumentācijas sagatavošanu:

**Mariusz Rotuski, Centrum Dystrybucyjno-Handlowe PROFIX, ul. Dobra 3, Łomna Las, 05-152 Czosnów**

(GB) This is to confirm that the following products: (PL) Niniejszym potwierdzamy, że produkt(y): (RO) Prin prezenta, confirmăm că produsul (produsele): (LV) Ar šo apliecinām, ka produkts(ti): (LT) Palidujame, kad produktas: (CZ) Tímto potvrzujeme, že výrobek (výrobky): (HU) Az alábbiakban kijelentem, hogy a jelen termék(ek):

(GB) Planer (PL) Strug (RO) Rindea (LV) Ēvele (LT) Oblius (CZ) Hoblik (HU) Gyalú

**TRYTON THG900**

M18-YH10-82X3

**230 - 240 V; 50 Hz; 900 W; no: 16000 /min; kl. II; S1524**

(GB) meet essential requirement included into the following Directives of the European Parliament and the Council: (PL) spełnia[ą] wymagania określone w dyrektywach Parlamentu Europejskiego i Rady: (RO) îndeplines[te] (îndeplinesc) cerințele definite de directivele Parlamentului European și a Consiliului Europei: (LV) izpildī pamat prasības noteiktas Eiropas Parlamenta un Padomes direktīvās: (LT) atitinka Europos Parlamento bei Europos Tarybos direktyvų reikalavimus: (CZ) splňuje(jí) požadavky uváděné ve směrnicích Evropského parlamentu a Rady: (HU) megfelel(nek) az Európai Parlament és Tanács irányelveiben meghatározott követelményeknek:

(GB) 2006/42/EC (OJ L 157, 9.6.2006, p. 24–86); 2004/108/EC (OJ L 390, 31.12.2004, p. 24–37); 2011/65/EU of the European Parliament and of the Council of 8 June 2011 on the restriction of the use of certain hazardous substances in electrical and electronic equipment (OJ L 174, 1.7.2011, p. 88);

(PL) 2006/42/WE z dnia 17 maja 2006 r. w sprawie maszyn, zmieniającej dyrektywę 95/16/WE (Dz. Urz. UE L 157 z 09.06.2006, str. 24 z późn. zm.); 2004/108/WE z dnia 15 grudnia 2004 r. w sprawie zbliżenia ustawodawstw Państw Członkowskich odnoszących się do kompatybilności elektromagnetycznej oraz uchylająca dyrektywę 89/336/EWG (Dz.U. L 390 z 31.12.2004, str. 24–37 z późn. zm.); 2011/65/UE z dnia 8 czerwca 2011 r. w sprawie ograniczenia stosowania niektórych niebezpiecznych substancji w sprzecie elektrycznym i elektronicznym (Dz.U. L 174 z 1.7.2011, str. 88);

(RO) 2006/42/CE (JO L 157, 9.6.2006, p. 24–86); 2004/108/CE (JO L 390, 31.12.2004, p. 24–37); 2011/65/UE a Parlamentului European și a Consiliului din 8 iunie 2011 privind restricțiile de utilizare a anumitor substanțe periculoase în echipamentele electrice și electronice (JO L 174, 1.7.2011, p. 88);

(LV) 2006/42/EK (OV L 157, 9.6.2006., 24./86. lpp.); 2004/108/ec 2011/65/ES ( 2011. gada 8. jūnīsis) par dažu bīstamu vielu izmantošanas ierobežošanu elektroniskās un elektroniskās iekārtās (OV L 174, 1.7.2011., 88 lpp.);

(LT) 2006/42/EB (OL L 157, 2006 6 9, p. 24–86 ) 2004/108/EB (OL L 390, 2004 12 31, p. 24–37) 2011/65/ES 2011 m. birželio 8 d. dėl tam tikrų pavojingų medžiagų naudojimo elektros ir elektroninėje įrangoje apraibojimo (OJ L 174, 1.7.2011, p. 88–110)

(CZ) 2006/42/ES (Úř. věst. L 157, 9.6.2006, s. 24–86); 2004/108/ES (Úř. věst. L 390, 31.12.2004, s. 24–37); 2011/65/UE ze dne 8. června 2011 o omezení používání některých nebezpečných látek v elektrických a elektronických zařízeních (Úř. věst. L 174, 1.7.2011, s. 88);

(HU) 2006/42/EK (HL L 157., 2006.6.9., 24–86. o.); 2004/108/EK (HL L 390., 2004.12.31., 24–37. o.) 2011/65/EK irányelvével (2011. június 8.) egyes veszélyes anyagok elektromos és elektronikus berendezésekben való alkalmazásának korlátozásáról (HL L 174., 2011.7.1., 88–110. o.)

(GB) and have been manufactured in accordance with the standards:

(LT) bei yra pagamintas pagal normas:

(PL) oraz zostały(y) wyprodukowane(n) zgodnie z normą(ami):

(CZ) a byla(y) vyrobená(y) podle normy(em):

(RO) și au fost produse conform normelor:

(HU) és gyártása(uk) az alábbi szabvány(ok)nak megfelelően történt:

(LV) un tika izgatavoti atbilstoši normām:

EN 60745-1:2009+A11:2010 EN 60745-2-14:2009+A2:2010

EN 55014-1:2006+A1:2009+A2:2011 EN 55014-2:1997+A2:2008 EN 61000-3-2:2006+A2:2009 EN 61000-3-3:2013

**Mariusz Rotuski**

Specjalista ds. Certyfikacji i Zapewnienia Jakości

(GB) This declaration of conformity is issued under the sole responsibility of the manufacturer. (PL) Niniejsza deklaracja zgodności wydana zostaje na wyłączną odpowiedzialność producenta. (RO) Prezenta declarație de conformitate este emisă pe răspunderea exclusivă a producătorului. (LV) Šī atbilstības deklarācija ir izdota vienīgi uz šāda ražotāja atbildību. (LT) Ši atitikties deklaracija išduota tik gamintojo atsakomybe. (CZ) Toto prohlášení o shodě vydal na vlastní odpovědnost výrobce. (HU) E megfelelőségi nyilatkozat a gyártó kizárólagos felelősségére kerül kibocsátásra.

