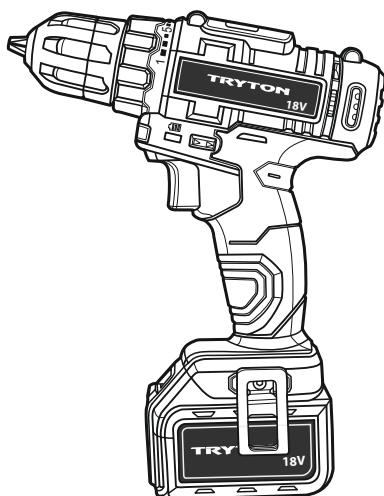


# TRYTON

## ELEKTRONARZĘDZIA

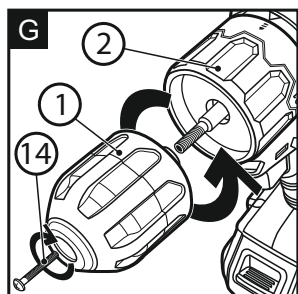
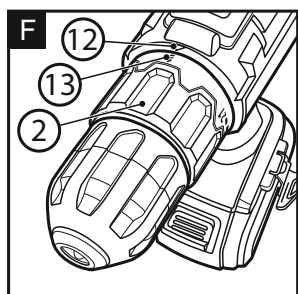
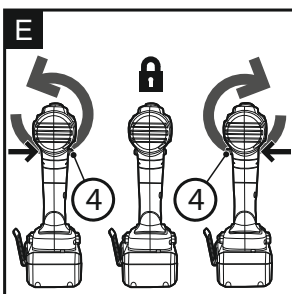
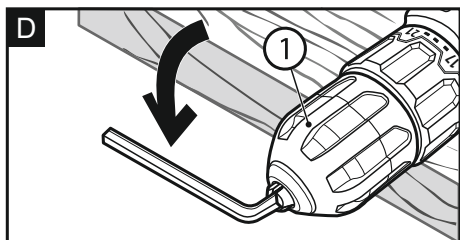
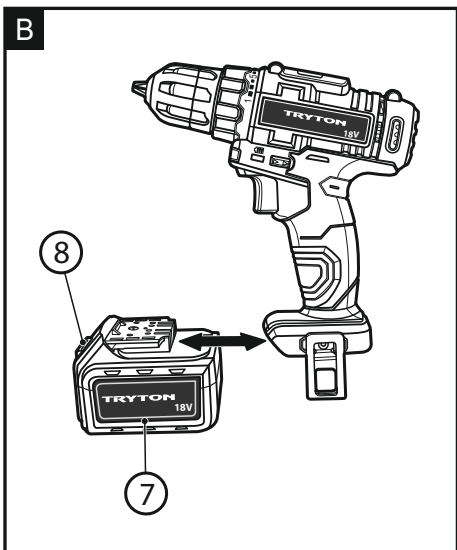
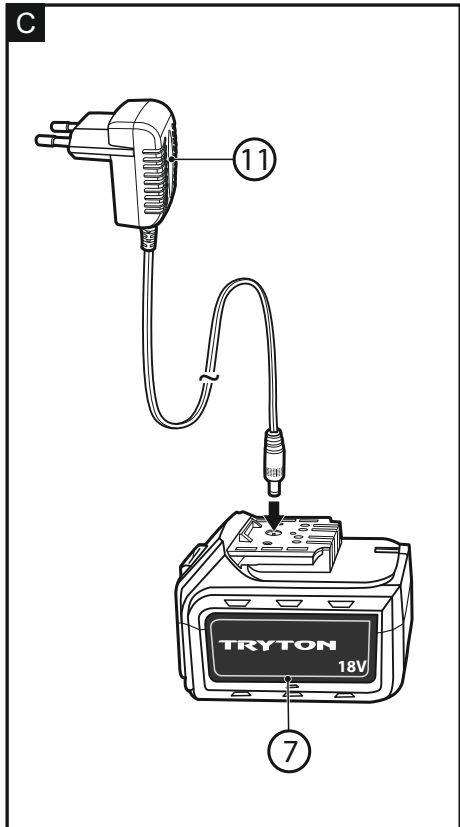
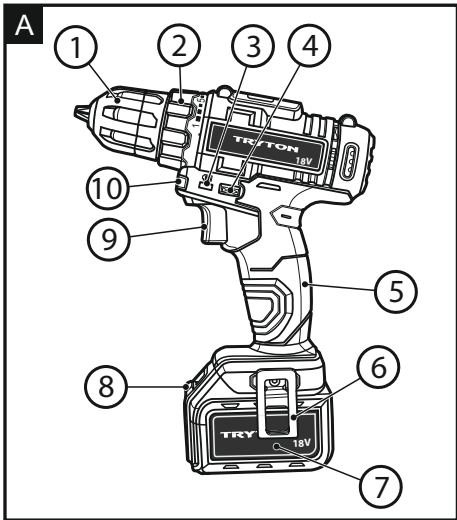


**TFV12**  
**TFV18**

---

<b>GB</b>	Operating instruction	CORDLESS DRILL/SCREWDRIVER .....	3
<b>PL</b>	Oryginalna instrukcja obsługi	WIERTARKO - WKREŃTARKA AKUMULATOROWA.....	8
<b>RU</b>	Инструкция по эксплуатации	АККУМУЛЯТОРНАЯ ДРЕЛЬ-ШУРУПОВЕРТ.....	14
<b>RO</b>	Instrucții de folosire	MAȘINA DE GĂURIT/ÎNȘURUBAT CU ACUMULATOR....	21
<b>LV</b>	Apkalpošanas instrukcija	AKUMULATORU URBJMAŠĪNA-SKRŪVJGRIEZĒJS .....	27
<b>CZ</b>	Návod na obsluhu	VRTACÍ AKU ŠROUBOVÁK .....	33
<b>HU</b>	Használati utasítások	AKKUMULÁTOROS FŰRÓ-CSAVARÓZÓ .....	39
<b>LT</b>	Naudojimo instrukcija	AKUMULIATORINIS GRĘŽTUVAS-SUKTUVAS .....	45

---





**BEFORE YOU START USING THE MACHINE READ THOROUGHLY THIS MANUAL.**

Keep this document for future reference.



**WARNING!** Read all safety warnings marked with a symbol  and all operating safety instructions.

To limit the risk of fire, electric shock and injury while using the device, follow all operating safety instructions and tips provided below.

**Keep all work safety instructions and tips for future reference.**

In warnings provided herein the expression "power tool" means a power tool powered from the mains (with a power cord) or a battery powered power tool (cordless).



**WARNING!** General work safety warnings for use of the tool.

**Workplace safety:**

- Keep your workplace tidy and well lit. Untidiness and bad lighting result in higher accident rate.
- Do not use the power tool in explosive environments, created by flammable liquids, gases or dusts. The power tool generates sparks that can ignite dust or vapors.
- Keep children and unauthorized persons away from the place where the power tools are used. Inattention may result in losing control over your power tool.



**WARNING!** General warnings regarding the use of power tools.

**Electrics safety:**

- Plugs used in power tools must match wall outlets. Never modify the plug of your power tool. Do not use any extension cables when operating a power tool with a grounding/earthing conductor (PE). Any modifications of plugs and outlets increase the risk of electric shock.
- Avoid touching earthed surfaces or grounded items like pipes, heaters, central heating radiators and refrigerators. Touching earthed or grounded surfaces increases the risk of electric shock.
- Do not expose your power tool to rain or damp environments. Water penetrating the tool increases the risk of electric shock.
- Do not damage the power cord. Never use the power cord to carry, pull the power tool and do not pull by its power cord to disconnect plug from the outlet. Keep the power cord away from sources of heat, oils, sharp edges and moving parts. Damaged or entangled power cords increase the risk of electric shock.
- When your power tool is operated outdoors use extension cords intended for outdoor use only. Using an extension cable intended for outdoor use decreases the risk of electric shock.
- When it is unavoidable to use your power tool in a damp environment use an RCD (Residual Current Device) for protection. The use of RCDs decreases the risk of electric shock.



**WARNING!** General warnings regarding the use of power tools.

**Personal safety:**

- This equipment is not intended for use by persons (including children) disabled physically, mentally, sensorial or persons with no experience and knowledge in operating the equipment unless they operate the equipment under supervision or follow user's instructions provided by persons responsible for their safety.
- It is necessary to predict steps, watch and keep common sense when using power tools. Do not operate power tools when you are tired, under influence of drugs, medicine or alcohol. A moment of inattention while operating a power tool may result in serious personal injury.
- Use personal protective equipment (PPE). Always wear safety goggles. Wearing personal protective equipment (PPE) including a dust mask, anti-slippery footwear, a helmet and ear protection reduces personal injury.
- Avoid unexpected start up. Before connecting your power tool to the mains and/or inserting a battery make sure its power switch is in off position. Carrying your power tool with a finger on its power switch or without disconnecting it from the mains (switched on) may result in an accident.
- Before starting your power tool remove any keys/wrenches. Leaving a key/wrench in the rotating part of your power tool may result in personal injury.
- Do not lean forward too far. Always remain stable and maintain balance. It will allow you to have a better control over your power tool in unpredictable situations.
- Wear appropriate clothing. Do not wear loose clothes or jewelry. Keep your hair tied. Keep your clothes away from moving parts. Loose clothes, jewelry or long hair may be caught by moving parts.
- If your power tool allows for using an external dust extraction or collection system, make sure it is connected and used properly. Using dust collectors may reduce dust affected risks.



**WARNING!** General warnings regarding the use of power tools.

**Use and taking care of your power tool:**

- Do not overload your power tool. Use a power tool with power adjusted to work being done. An appropriately chosen power tool will allow you to work better and safer under load it has been designed for.
- Do not use a power tool when its power switch is out of order (it does not switch it on or off). Any power tool with its power switch out of order is dangerous and must be repaired.
- Always disconnect the plug from the power source and/or disconnect its battery before changing any settings, performing replacement or storage. Such preventive measures reduce the risk of accidental power tool start up.
- Keep your power tool out of reach of children and do not allow unauthorized persons to use the power tool. Power tools in hands of untrained persons can be dangerous.

- e) **Power tools require maintenance.** Check power tools for concentricity or jamming of moving parts, any cracks and all other factors affecting the power tool work safety. If any damage to the power tool is detected, it should be repaired before use. *Improper power tool maintenance is a reason for many accidents.*
- f) **Cutting tools should be sharp and clean.** Keeping sharp cutting edges in good condition reduces the risk of jamming and facilitates operation.
- g) **Power tools, equipment, working tools etc. should be used according to this user's manual taking into account operating conditions and the work to be done.** *Misusing a power tool can result in dangerous situations.*
- h) **At low temperatures and after a long brakes in operation it is recommended to turn the power tool to operate it with no load for a few minutes to provide proper grease distribution inside its driving mechanism.**
- i) **Use soft, damp (cannot be wet) cloth and soap to clean power tools. Do not use petrol, solvents and other agents that may damage your equipment.**
- j) **Power tools can be stored/carried after making sure that all moving components are locked and protected against release with original devices intended for this purpose.**
- k) **Store power tools in a dry, dust and water-protected place.**
- l) **Carry your power tool in its original packaging to provide protection against mechanical damage.**



**WARNING!** General warnings regarding the use of power tools.

**Repair:**

- a) **Power tools can be repaired by competent persons only who use original spare parts.** *It will provide safe operation for the power tool.*



**WARNING!** Cordless drill/driver, security warnings –

**Personal Safety:**

- a) **Use hearing protection when using drill/driver.** *Exposure to noise can cause hearing loss.*
- b) **During work, when the power tool or drill might encounter a hidden electricity wire or its own lead, the power tool must be held by the insulated areas of the handle.** *Cutting accessory contacting a "live" wire may make exposed metal parts of the power tool "live" and could give the operator an electric shock.*
- c) **Use appropriate detectors to determine if utility lines are hidden in the work area or call the local utility company for assistance.** *Contact with electric lines can lead to fire and electric shock. Damaging a gas line can lead to explosion. Penetrating a water line causes property damage or may cause an electric shock.*
- d) **Do not work materials containing asbestos.** *Asbestos is considered carcinogenic.*
- e) **Keep your workplace clean and tidy.** *Material mixtures are extremely dangerous. Light metal dusts can ignite or explode.*
- f) **Protect the object machined.** *Make sure all clamps are closed and check for excessive clearance. It is safer to fix the object machined in a fixing device or a vice than holding it in your hand.*
- g) **Always hold firmly the power tool with your both hands**

**using both the main and auxiliary handle keeping a stable position.** *It is safer to control your power tool with both hands.*

- h) **Turn the power tool immediately when the bit jams.** *Expect intense vibrations that can result in a kickoff. The bit jams when the power tool is overloaded or is bent inside the object.*
- i) **Before you put the power tool aside make sure it is completely stopped.** *The bit can jam resulting in losing control over the power tool.*



**WARNING!** Safe use of rechargeable batteries and battery chargers –

**Using the battery:**

- a) **Use only the batteries that correspond to specifications required by the equipment manufacturer.** *Use of unsuitable batteries may lead to cracks and destruction of the battery, personal injuries or fires.*
- b) **WARNING!** *In case of damage or improper use of the battery, explosive gases might be released. The battery must be kept away from fire and proper ventilation is to be assured during charging. It cannot be left for a longer period of time in a high temperature environment (areas with strong exposure to the sun, close to radiators or any other place with a temperature above 40 degrees).*
- c) **The battery must be charged within the temperature range of 15 to 25°C.**
- d) **The battery should be charged only using the charger that was supplied with the power tool.** *If another charger is used, breaking and disintegration of the battery, bodily harm, or fire are possible.*
- e) **Never expose the battery to the effect of water or moisture.**
- f) **When another battery is to be charged in sequence the time gap between charging operations must be not less than 30 minutes.**
- g) **In no case may you open the battery.**
- h) **Under unfavourable conditions electrolyte may leak from batteries, be careful to avoid contacts with the liquid. In case of accidental contacts with the liquid wash the affected locations with water. When liquid penetrates eyes, seek also for medical assistance.** *The liquid that leaks from batteries may be a reason for irritation or scalds.*
- i) **When the battery unit is not in use keep it far away from metallic items such as paper clips, coins, keys, nails, bolts or other metal things that may short the battery terminals.** *Shorts of battery terminals may cause burns or fires.*
- j) **Never throw batteries to fireplaces.**
- k) **Never charge a damaged battery.**



*The batteries are intended for multiple use and contain harmful lithium.*

*Upon the battery lifetime expires the battery must be disposed in accordance with environmental regulations. Discharge the battery first to the empty state and remove from the electric tool. Hand over to an organization that deals with utilization of batteries or take it back to the shop where the tool had been purchased.*

**Using the charger:**

- a) **Use only dedicated power adapters to charge the battery.** *Application of a power adapter dedicated to charge another type of the battery unit poses a risk of fires.*

- b) **The supplied charger should only be used for charging batteries that are supplied together with it.** *Charging other batteries may cause breaking and disintegration of the battery, bodily harm, or fire.*
- c) **Do not disassemble the charger.**
- d) **The charger is designed exclusively for indoor use.** *It must not be exposed to water or moisture.*
- e) **Charge only in an ambient temperature between 15-25 degrees.**
- f) **Do not insert metal objects of any kind into the charger.**

#### APPLICATIONS AND CONSTRUCTION:

The device is dedicated to drive in and out screws, drilling boreholes in such materials as steel, wood, plastics, etc. The combo drill and screwdriver is designed exclusively for DIY applications.

#### The tool must not be used for work requiring a professional tool.

Any use of the device that is not in observance with the above-mentioned purpose is forbidden, leads to the loss of warranty, and relieves the manufacturer from responsibility for the resulting damage.

Any modifications of the tool by the user relieve the manufacturer from responsibility for any damage and injuries to the user and the surroundings.

Despite using the tool according to its intended application it is impossible to eliminate certain residual risk factors. Considering the tool construction the following risks may occur when operating the tool:

- Touching the rotating drill bit with the hand or operator's clothes.
- Burns when changing drill bits (Drill bits heat up intensely during operation; use protective gloves when changing the drill bit).
- Throwing back machined object or its fragment.
- Bending/breaking the drill.

#### ■ The set contains:

- Cordless drill/screwdriver-1 pc.
- Battery - 1 pc.
- Charger - 1 pc.
- Working bits set:
  - magnetic tip for bits with a 1/4" holder-1 pc.
  - bits - 6 pcs.(PH1, PH2, PZ1, PZ2, SL5, SL6)
  - drills - 6 pcs.(1,5; 2,5; 3; 4; 5; 6 mm)
- Carrying case - 1 pc.
- Warranty card - 1 pc.
- Operating instruction - 1 pc.

#### ■ Device components

*The numbering of device components refers to graphics presented on page 2 of the user's manual:*

- Fig.A**
1. Keyless chuck
  2. Clutch control knob
  3. Battery capacity indicator
  4. Rotation direction switch
  5. Handle
  6. Fastener to hang on the belt
  7. Battery
  8. Battery lock clip
  9. On/off switch
  10. Auxiliary lighting

**Fig.C** 11. Charger

**Fig.F** 12. Clutch setting indicator  
13. Drilling setting pictogram

**Fig.G** 14. Left-threaded fixing screw

#### TECHNICAL PARAMETERS:

MODEL	TFV12	TFV18
Supply voltage	DC 12 V	DC 18 V
Rotation speed under no-load conditions	0-700 rpm	
Chuck clamping range	∅ 0,8-10 mm	
Weight (with battery)	1,030 kg	1,135 kg
Sound pressure level (LpA)	81 dB(A)	
Sound power level (LwA)	92 dB(A)	
Tolerance of measurements KpA, KWA	3 dB(A)	
Vibration level according to: EN 60745 (tolerance of measurements K=1,5 m/s <sup>2</sup> )	2,19 m/s <sup>2</sup>	
<b>Battery type</b>	<b>Li-ion</b>	
Rated voltage	12V	18V
Electric capacity	1500mAh	
<b>Battery charger</b>		
Mains voltage	100-240 V	
Frequency	50/60 Hz	
Power consumption	5W	8W
Output current (DC)	15V/ 0,33A	21,5V/ 0,37A
Charging time	3-5 h	

The vibration level value given refers to basic application of the tool. If the tool is used for other applications or with other tools, or if it is not maintained properly, the vibration level may differ from the values given. The above-mentioned causes may lead to higher exposure to vibrations during the whole work time. One must implement additional safety measures to protect the operators from exposure to vibrations, such as maintenance of the electric tool and work tools, assurance of proper hand temperature, or determination of the sequence of work operations.

#### PREPARATION FOR WORK:

##### ■ Charging the battery

The driver is supplied with a partially charged battery. Charge the battery fully before use. It is recommended that the first charging session lasts at least 5 hours.

1. Press the battery lock button (8) and remove the battery (7) from the drill-driver (see fig. B).
2. Connect the battery (7) to the charger (11) (see fig. C).
3. Connect charger to an electrical socket 100-240 V, 50/60Hz.

##### ■ Battery charging indicator

The **red** battery lamp is lit during the charging process. When the battery is fully charged, the red lamp goes out and the **green** one is lit.

The charging current reduces with the charging progress. After about 3 hours the charging current reaches the stable, minimum value (trickle charging) to prevent battery overcharging and damage.

#### After charging, disconnect the charger and remove the battery.

The lithium-ion battery can be charged at any moment, without detriment to its life. Interrupting the charging process does not entail a

risk of damaging the battery cells.

#### **INUSE:**

##### ■ **Turning on/off**

The switch (9) has fluid rotation speed adjustment built-in.

Press the switch to activate the power tool. The rotation speed will increase the further the switch is pushed. To stop the power tool, release the switch.

##### ■ **Battery capacity indicator**

The battery capacity indicator (3) indicates the battery is empty with two LEDs.

##### **Green LED is lit:**

The battery is fully charged.

##### **Green and red LEDs are lit:**

The battery is sufficiently charged.

##### **Only red LED is lit:**

The battery is empty, it needs charging.

##### ■ **Choosing rotation direction** (see Fig. E)

The driver can work with clockwise (right) or counter-clockwise (left) rotation.

- to select clockwise rotation, move the clockwise/counter-clockwise slider (4) to the left (looking from the back of the driver),

- to select counter-clockwise rotation, move the clockwise/counter-clockwise slider (4) to the right (looking from the back of the driver),

When the rotation direction switch is in the middle position, it is locked.

For drilling and driving screws in, clockwise operation should be selected. For taking out the drill bit, removing a stuck drill bit, or unscrewing screws, counter-clockwise operation should be selected.

##### ■ **Choosing torque** (see Fig. F)

The driver is equipped with a ring (2), which can be used for setting the torque when driving screws. The ring has 22 settings, from 1 to 21, and a drilling setting.

Using a given setting (from 1 - 21) means that the clutch is set to an assigned torque. This makes it possible to prevent a screw from being driven too far or being damaged. Different torques should be used for different screws and materials.

Always start with a low torque and increase gradually until the desired result is achieved.

For drilling in metal, wood or plastic, set the ring (2), so that the indicator (12) points to symbol (13).

##### ■ **Changing the chuck** (see Fig. G)

1. Disconnect the battery (7) from the driver.
2. Open the chuck as much as possible (1)
3. Using a PH 2 (Philips No.2) screwdriver, rotate the fixing screw (14) of the chuck clockwise (**CAUTION! Left-thread**). To free a seized bolt hit it gently on its head.
4. Hold the lower chuck ring (the one closer to the driver body) and rotate the drill/driver chuck counter-clockwise (looking from the point of view of the chuck).

**CAUTION:** A jammed keyless chuck (1) can be released by inserting the short end of a hex key in the chuck and lightly tapping the longer arm of the key (see Fig.D).

5. To attach the chuck, screw it onto the drive spindle counter-clockwise (looking from the chuck side) and secure by screwing in the fixing

screw counter-clockwise using a PH 2 screwdriver (No.2 Philips). For the chuck not to rotate during screwing in the fixing screw, the chuck should be held by the lower ring (the one closer to the drill/driver body).

##### ■ **Auxiliary components**

- The practical fastener (6) can be used for attaching the drill-driver on the user's belt, both for right-hand and left-hand dominant users.
- The drill/driver is equipped with an auxiliary light (10) for the area of drilling/driving, which turns on after the appropriate switch (9) is pushed.

##### ■ **Work tool replacement**

**CAUTION:** Disconnect the battery from the driver or put the rotation direction switch (4) in the middle position to secure the machine from being started by mistake, which could in turn cause harm to the user.

When the tool switch (9) is released the drill chuck is locked. It enables quick, easy and convenient replacement of a working tool installed in the drill chuck. To remove a drill (or a working bit) from the drill chuck, rotate the chuck ring anticlockwise to expand the opening of the chuck. Insert a new drill (or a working bit) into the chuck and rotate the chuck ring clockwise to secure the drill in the drill chuck.

Drills (or other working bits) must be moved to the full depth of the chuck opening.

##### ■ **Drilling boreholes**

1. To drill deep boreholes carry out your job gradually, drill to lower depths and remove the drill from the borehole from time to time to remove borings from the borehole.
2. To drill large diameter boreholes it is recommended to start with drilling a low-diameter borehole and then expand it to the desired diameter. It prevents the tool from overloads.
3. When the drilling bit is seized during working switch immediately the tool off to prevent it from being damaged. Switch the rotations direction to the anticlockwise rotations and then remove the drilling bit from the borehole.
4. Keep the drill aligned with the axis of the borehole. The drilling bit must be positioned perpendicularly to the surface of the machined material. When the perpendicularly fails to be maintained the drilling bit may be seized or broken or, under extreme circumstances, the operator may be injured.

Rotation speed of the drill spindle is controlled by the force the power switch is depressed with.

##### ■ **Driving screws**

It is recommended to drill the pilot borehole first. The pilot borehole must be a little deeper and with a less diameter than the outer diameter of the screw thread. When the screw is to be driven within the vicinity of the material edge the pilot borehole prevents from undesired chipping of the material.

If the screw is driven with abnormal difficulty the screw must be retracted and the pilot borehole diameter should be enlarged.

Anyway, when problem to drive the screw in persists (e.g. in case of hard wood grades) try to use a lubricating agent (e.g. liquid soap). Press the tool to the screw with sufficient force to avoid spontaneous rotation of the driving bit in the screw head. Use only those bits that accurately match the bit head. When the screw head is damaged further driving the screw in or out may prove infeasible.

### STORAGE AND MAINTENANCE:

The tool in principle does not require any special maintenance or service. The tool must be stored in a place that is not accessible to children and must be kept clean and protected from moisture and dust. The storage conditions should prevent potential mechanical damage and impact of the weather conditions.

**CAUTION:** Remember to always disconnect the battery from the tool prior to starting the cleaning operations and unplug the charger from the outlet. The charger may be cleaned exclusively with use of a dry cloth.

Use also a clean cloth to clean regularly the ventilation openings of the tool to keep them patent. From time to time disassemble the grip and remove dust and other rubbish from the interior.

The tool housing must be cleaned with use of a moistened cloth small quantity of soap and then wiped dry. Do not use any detergents or solvents as they can damage parts made from plastics. After cleaning let the tool dry completely before it is used again.

### TRANSPORTATION:

Store and transport the tool in its transport box to protect it against humidity, dust penetration and small objects; remember to protect its ventilation openings. Small objects after getting into the casing can result in damage to the motor.

### PROTECTION OF THE ENVIRONMENT:



**NOTE:** The symbol nearby denotes that old equipment must never be thrown away together with other waste (with the penalty of a fine). Hazardous components of electronic equipment may adversely affect the natural environment and human health.

Each household may contribute to the recovery and reuse (recycling) of

old machinery and equipment. Both in Poland and Europe a system for recovery of used equipment either exists or is being created. The system obliges all organizations that sell such equipment to collect the used machinery and appliances. Moreover, general purpose collecting points for such equipment are available.

### PICTOGRAMS:

Explanation of the icons located on the nominal plate and the information tags:



— «Read this instruction before switching on the power supply and starting the work»



— «Always wear appropriate eye protection»



— «Use appropriate hearing protection»

### MANUFACTURER:

PROFIX Sp. z o.o.;  
ul. Marywilska 34,  
03-228 Warszawa, POLAND.

This appliance is in conformity with national and European standards as well as with general safety guidelines.

Any repairs are allowed to be carried out exclusively by qualified staff with use of original spare parts.

### TROUBLESHOOTING GUIDE:

PROBLEM	POSSIBLE CAUSE	REMEDY
The tool (drill/screwdriver) fails to operate.	No power voltage, damaged motor or the power trigger.	Check the battery status, recharge or replace with a new one when necessary. When the problem persists hand over the tool for repair at a service workshop. Please refer to the warranty sheet for addresses of authorized workshops.
Irregularities of the motor operation.	Battery low.	Recharge the battery.
	Worn carbon brushes of the motor.	Have the brushes replaced at a service workshop.



The policy of the PROFIX company consists in permanent improvements of the offered products and therefore the company reserves the right to make amendments to the product specification without a prior notice. The images included into the operation manual are only of the exemplary nature and may slightly differ from actual appearance of the device purchased. This instruction manual is protected by copyright. Copying it without the written consent of PROFIX Co. Ltd. is prohibited.





**PRZED PRZYSTĄPIENIEM DO UŻYTKOWANIA NALEŻY ZAPOZNAĆ SIĘ Z NINIEJSZĄ INSTRUKCJĄ.** Zachowaj instrukcje do ewentualnego przyszłego wykorzystania.



**OSTRZEŻENIE!** Należy przeczytać wszystkie ostrzeżenia dotyczące bezpieczeństwa użytkowania oznaczone symbolem ⚠ i wszystkie wskazówki dotyczące bezpieczeństwa użytkowania.

Nieprzebranie podanych niżej ostrzeżeń dotyczących bezpieczeństwa i wskazówek dotyczących bezpieczeństwa może być przyczyną porażenia prądem elektrycznym, pożaru i/lub poważnych obrażeń.

**Zachowaj wszystkie ostrzeżenia i wskazówki dotyczące bezpieczeństwa, aby móc skorzystać z nich w przyszłości.**

W podanych niżej ostrzeżeniach wyrażenie „elektronarzędzie” oznacza elektronarzędzie zasilane z sieci (z przewodem zasilającym) lub elektronarzędzie zasilane z akumulatora (bezprowadowe).



**OSTRZEŻENIE!** Ogólne ostrzeżenia dotyczące bezpieczeństwa użytkowania narzędzia.

**Bezpieczeństwo w miejscu pracy:**

- W miejscu pracy należy utrzymywać porządek i dobre oświetlenie. Nieporządek i złe oświetlenie przyczynia się do wypadków.
- Nie należy używać elektronarzędzia w środowiskach wybuchowych, tworzonych przez łatwo palne ciecze, gazy lub pyły. Elektronarzędzie wytwarza iskry, które mogą zapalić pył lub opary.
- Nie należy dopuszczać dzieci i obserwatorów do miejsc, w których używa się elektronarzędzi. Rozproszenie uwagi może spowodować utratę kontroli nad elektronarzędziem.



**OSTRZEŻENIE!** Ogólne ostrzeżenia dotyczące bezpieczeństwa użytkowania narzędzia.

**Bezpieczeństwo elektryczne:**

- Wtyczki elektronarzędzi muszą pasować do gniazdek. Nigdy w żaden sposób nie należy przerabiać wtyczki. Nie należy używać żadnych przedłużaczy w przypadku elektronarzędzi mających przewód z żyłą ziemienną ochronnego. Brak przeróbek we wtyczkach i gniazdkach wtyczkowych zmniejsza ryzyko porażenia prądem elektrycznym.
- Należy unikać dotykania powierzchni uziemionych lub zwartych z masą, takich jak rury, ogrzewacze, grzejniki centralnego ogrzewania i chłodziarki. W przypadku dotknięcia części uziemionych lub zwartych z masą, wzrasta ryzyko porażenia prądem elektrycznym.
- Nie należy narażać elektronarzędzi na działanie deszczu lub warunków wilgotnych. W przypadku przedostania się do elektronarzędzia wody, wzrasta ryzyko porażenia prądem elektrycznym.
- Nie należy nadwierać przewodów przyłączeniowych. Nigdy nie należy używać przewodu przyłączeniowego do

przenoszenia, ciągnięcia elektronarzędzia lub wyciągnięcia wtyczki z gniazdka. Należy trzymać przewód przyłączeniowy z daleka od źródeł ciepła, olejów, ostrych krawędzi lub ruchomych części. Uszkodzone lub zaplątane przewody przyłączeniowe zwiększają ryzyko porażenia prądem elektrycznym.

- W przypadku, gdy elektronarzędzie używa się na wolnym powietrzu, przewody przyłączeniowe należy przedłużać przedłużaczami przeznaczonymi do pracy na wolnym powietrzu. Używanie przedłużacza przeznaczonego do pracy na wolnym powietrzu zmniejsza ryzyko porażenia prądem elektrycznym.
- W przypadku, gdy używanie elektronarzędzia w środowisku wilgotnym jest nieuniknione, jako ochronę przed napięciem zasilania należy stosować urządzenie różnicowoprądowe (RCD). Zastosowanie RCD zmniejsza ryzyko porażenia prądem elektrycznym.



**OSTRZEŻENIE!** Ogólne ostrzeżenia dotyczące bezpieczeństwa użytkowania narzędzia.

**Bezpieczeństwo osobiste:**

- Niniejszy sprzęt nie jest przeznaczony do użytkowania przez osoby (w tym dzieci) o ograniczonej zdolności fizycznej, czuciowej lub psychicznej, lub osoby nie mające doświadczenia lub znajomości sprzętu, chyba że odbywa się to pod nadzorem lub zgodnie z instrukcją użytkowania sprzętu, przekazanej przez osoby odpowiadające za ich bezpieczeństwo.
- Należy być przewidującym, obserwować co się robi i zachowywać rozsądek podczas używania elektronarzędzia. Nie należy używać elektronarzędzia, gdy jest się zmęczonym lub pod wpływem narkotyków, alkoholu lub leków. Chwila nieuwagi podczas pracy elektronarzędziem może spowodować poważne osobiste obrażenia.
- Należy stosować wyposażenie ochronne. Należy zawsze zakładać okulary ochronne. Używanie w odpowiednich warunkach wyposażenia ochronnego, takiego jak maska przeciwpyłowa, obuwie antypoślizgowe, kask lub ochronniki słuchu, zmniejsza osobiste obrażenia.
- Należy unikać niezamierzonego rozruchu. Przed przyłączeniem do źródła zasilania i/lub przed podłączeniem akumulatora oraz zanim podniesie się lub przeniesie się narzędzie należy upewnić się, że wyłącznik elektronarzędzia jest w pozycji wyłączony. Przenoszenie elektronarzędzia z palcem na wyłączniku lub przyłączenie elektronarzędzia do sieci zasilającej przy załączonym wyłączniku może być przyczyną wypadku.
- Przed uruchomieniem elektronarzędzia należy usunąć wszystkie klucze. Pozostawienie klucza w obracającej się części elektronarzędzia może spowodować osobiste obrażenia.
- Nie należy wychylać się za daleko. Należy cały czas stać pewnie i zachować równowagę. Umożliwi to lepszą kontrolę nad elektronarzędziem w sytuacjach nieprzewidywalnych.
- Należy odpowiednio się ubierać. Nie należy nosić luźnego ubrania ani biżuterii. Należy utrzymywać swoje włosy,



ubranie i rękawiczki z dala od części ruchomych. Luźne ubrania, biżuteria lub długie włosy mogą zostać zacepione przez części ruchome.

- h) Jeżeli urządzenie są przystosowane do przyłączenia zewnętrznego odciągu pyłu i pochłaniacza pyłu, należy upewnić się, że są one przyłączone i prawidłowo użyte. Użycie pochłaniacza pyłu może zredukować zagrożenia zależne od zapylenia.



**OSTRZEŻENIE!** Ogólne ostrzeżenia dotyczące bezpieczeństwa użytkowania narzędzia.

**Użytkowanie i troska o elektronarzędzie:**

- a) Nie należy elektronarzędzia przeciążać. Należy stosować elektronarzędzie o mocy odpowiedniej do wykonywanej pracy. Właściwe elektronarzędzie umożliwi pracę lepszą i bezpieczniejszą przy obciążeniu, na jakie zostało zaprojektowane.
- b) Nie należy używać elektronarzędzia, jeżeli łącznik go nie załącza i nie wyłącza. Każde elektronarzędzie, którego nie można załączać lub wyłączać łącznikiem, jest niebezpieczne i musi zostać naprawione.
- c) Należy odłączać wtyczkę ze źródła zasilania elektronarzędzia i/lub odłączyć akumulator przed wykonaniem każdej nastawy, wymiany części lub magazynowaniem. Takie zapobiegawcze środki bezpieczeństwa redukują ryzyko przypadkowego rozruchu elektronarzędzia.
- d) Nieużywane elektronarzędzie należy przechowywać poza zasięgiem dzieci i nie należy pozwalać osobom nieznanym z elektronarzędziem lub niniejszą instrukcją na używanie elektronarzędzia. Elektronarzędzia są niebezpieczne w rękach nieprzeszkolonych użytkowników.
- e) Elektronarzędzia należy konserwować. Należy sprawdzać współosiowość lub zakleszczenie się części ruchomych, pęknięcia części i wszystkie inne czynniki, które mogą mieć wpływ na pracę elektronarzędzia. Jeżeli stwierdzi się uszkodzenia, należy elektronarzędzie przed użyciem naprawić. Przyczyną wielu wypadków jest niefachowy sposób konserwacji elektronarzędzia.
- f) Narzędzia tnące powinny być ostre i czyste. Odpowiednie utrzymywanie ostrych krawędzi narzędzi tnących zmniejsza prawdopodobieństwo zakleszczenia i ułatwia obsługę.
- g) Elektronarzędzie, wyposażenie, narzędzia robocze itp. należy stosować zgodnie z niniejszą instrukcją, biorąc pod uwagę warunki pracy i rodzaj pracy do wykonania. Używanie elektronarzędzia w sposób, do jakiego nie jest przewidziane, może spowodować niebezpieczne sytuacje.
- h) W niskich temperaturach, lub po dłuższym okresie nie użytkowania, zalecane jest włączenie elektronarzędzia bez obciążenia na okres kilku minut w celu właściwego rozprowadzenia smaru w mechanizmie napędu.
- i) Do czyszczenia elektronarzędzi stosować miękką, wilgotną (nie mokra) szmatkę i mydło. Nie stosować benzyny, rozpuszczalników i innych środków mogących uszkodzić urządzenie.
- j) Elektronarzędzie należy przechowywać/transportować po upewnieniu się, że wszystkie jego elementy ruchome są zablokowane i zabezpieczone przed odblokowaniem za

pomocą oryginalnych elementów do tego przeznaczonych.

- k) Elektronarzędzie należy przechowywać w miejscu suchym, zabezpieczone przed kurzem i wnikaniem wilgoci.
- l) Transportowanie elektronarzędzia powinno odbywać się w opakowaniu oryginalnym, zabezpieczającym przed uszkodzeniami mechanicznymi.



**OSTRZEŻENIE!** Ogólne ostrzeżenia dotyczące bezpieczeństwa użytkowania narzędzia.

**Naprawa:**

- a) Naprawę elektronarzędzia należy zlecać wyłącznie osobie wykwalifikowanej, wykorzystującej wyłącznie oryginalne części zamienne. Zapewni to, że użytkowanie elektronarzędzia będzie nadal bezpieczne.



**OSTRZEŻENIE!** Wiertarko - wkrętarka akumulatorowa, ostrzeżenia dotyczące bezpieczeństwa –

**Bezpieczeństwo osobiste:**

- a) Zakładać ochronniki słuchu podczas pracy wiertarko - wkrętarką. Narazanie się na hałas może spowodować utratę słuchu.
- b) Podczas wykonywania prac, przy których narzędzie robocze lub śruba mogłyby natrafić na ukryte przewody elektryczne, elektronarzędzie należy trzymać za izolowane powierzchnie rękojeści. Kontakt z przewodem sieci zasilającej może spowodować przekazanie napięcia na części metalowe elektronarzędzia, co mogłoby spowodować porażenie prądem elektrycznym.
- c) Należy używać odpowiednich przyrządów poszukiwawczych w celu lokalizacji ukrytych przewodów zasilających, lub poprosić o pomoc administrację obiektu. Kontakt z przewodami znajdującymi się pod napięciem może doprowadzić do powstania pożaru i porażenia elektrycznego. Uszkodzenie przewodu gazowego może doprowadzić do wybuchu. Wniknięcie do przewodu wodociągowego powodujejszkodę rzeczowe.
- d) Nie należy obrabiać materiału zawierającego azbest. Azbest powoduje chorobę nowotworową.
- e) Miejsce pracy należy utrzymywać w czystości. Mieszanki materiałów są szczególnie niebezpieczne. Pył z metalu lekkiego może się zapalić lub wybuchnąć.
- f) Należy zabezpieczyć obrabiany przedmiot. Upewnić się, czy wszystkie zaciski mocujące są ściśnięte i zweryfikować, aby nie było przesadnego luzu. Zamocowanie obrabianego przedmiotu w urządzeniu mocującym lub imadło jest bezpieczniejsze niż trzymanie go w ręku.
- g) Elektronarzędzie podczas pracy należy mocno trzymać oraz dbać o stabilną pozycję. Podczas dokręcania i luzowania śrub mogą wystąpić krótkotrwałe wysokie momenty reakcji.
- h) Należy natychmiast wyłączyć elektronarzędzie, gdy zablokuje się używane narzędzie. Należy być przygotowanym na wysokie wibracje, które powodują odrzut. Używane narzędzie zablokowane się, gdy: elektronarzędzie jest przeciążone, lub gdy skrzywi się w obrabianym przedmiocie.
- i) Przed odłożeniem elektronarzędzia, należy poczekać, aż znajdzie się ono w bezruchu. Narzędzie robocze może się zablokować i doprowadzić do utraty kontroli nad elektronarzędziem.
- j) Elektronarzędzia należy używać wyłącznie z baterią akumulatorów specjalnie przeznaczoną do ich zasilania. Użycie innej baterii akumulatorów może stwarzać ryzyko obrażeń lub pożaru.



## **OSTRZEŻENIE! Bezpieczne użytkowanie akumulatorów ładowarek –**

### **Użytkowanie akumulatorów:**

- a) Należy używać tylko akumulatorów zgodnych ze specyfikacją podaną przez producenta. W przypadku użycia innych akumulatorów może wystąpić pęknięcie i rozpadnięcie się akumulatora, uszkodzenie ciała lub pożar.
- b) **UWAGA: W przypadku uszkodzenia i niewłaściwego użytkowania akumulatora może dojść do wydzielenia się gazów wybuchowych. Akumulator należy zawsze utrzymywać z dala od źródła ognia oraz zapewnić odpowiednią wentylację podczas ładowania. Nie wolno pozostawić go na dłuższy czas w środowisku, w którym panuje wysoka temperatura (w miejscach nasłonecznionych, w pobliżu grzejników lub gdziekolwiek tam, gdzie temperatura przekracza 40 stopni).**
- c) Ładowanie akumulatora powinno odbywać się w zakresie temperatur 15-25°C.
- d) Akumulator należy ładować tylko za pomocą ładowarki dołączonej do elektronarzędzia. Tylko ta ładowarka jest dostosowana do ładowania zastosowanego w elektronarzędziu akumulatora litowo-jonowego. W przypadku użycia innych ładowarek może nastąpić pęknięcie i rozpadnięcie się akumulatora, uszkodzenia ciała lub pożar.
- e) Nie wystawiać akumulatora na działanie wody i wilgoci.
- f) Jeśli zamierza się ładować kolejno więcej niż jeden akumulator, należy zrobić przerwę 30 minutową pomiędzy ładowaniami.
- g) W żadnym wypadku nie należy otwierać akumulatora.
- h) W niekorzystnych warunkach z akumulatora może wydostać się ciecz; należy unikać kontaktu z cieczą. Jeżeli przypadkowo nastąpi zetknięcie użytkownika z cieczą, miejsce zetknięcia należy przemyć wodą. Jeżeli ciecz trafi do oczu, dodatkowo należy szukać pomocy medycznej.

*Wydostająca się z akumulatora ciecz może spowodować podrażnienia lub oparzenia.*

- i) W czasie, gdy bateria akumulatorów nie jest używana, należy ją przechowywać z dala od metalowych przedmiotów takich, jak spinacze do papieru, monety, klucze, gwoździe, śruby, lub inne małe elementy metalowe, które mogą zewrzeć zaciski akumulatorów. Zwarcie zacisków akumulatora może spowodować oparzenia lub pożar.
- j) Nie wrzucać akumulatorów do ognia.
- k) Nie wolno ładować uszkodzonego akumulatora.



Akumulatory są przeznaczone do wielokrotnego ładowania, zawierają szkodliwy dla środowiska lit.

Po zakończeniu okresu żywotności należy je zutylizować zgodnie z przepisami o ochronie środowiska naturalnego.

W tym celu całkowicie wyczerpać akumulator, wyjąć z elektronarzędzia, zdać do punktu utylizacji akumulatorów lub zdać do sklepu, w którym dokonano zakupu.

### **Użytkowanie ładowarki:**

- a) Ładować należy wyłącznie ładowarką zalecaną przez wytwórcę. Użycie ładowarki przeznaczonej do ładowania innego typu baterii akumulatorów stwarza ryzyko powstania pożaru.
- b) Nie wolno rozkręcać ładowarki.

- c) Ładowarka jest przeznaczona wyłącznie do pracy wewnątrz pomieszczeń. Nie wolno jej narażać na działanie wody i wilgoci.
- d) Ładować tylko w zakresie temperatur 15-25 stopni.
- e) Nie wolno wkładać jakichkolwiek przedmiotów metalowych do ładowarki.

### **PRZEZNACZENIE I BUDOWA WIERTARKO-WKRĘTARKI:**

Wiertarko-wkrętarka akumulatorowa jest przeznaczona do wkręcania i wykręcania wkrętów, wiercenia otworów w takich materiałach jak stal, drewno, tworzywa sztuczne, itp.

Wiertarko-wkrętarka jest przeznaczona wyłącznie do użytku amatorskiego. Nie wolno wykorzystywać narzędzia do wykonywania prac wymagających zastosowania profesjonalnego urządzenia.

Każde użycie urządzenia niezgodne z przeznaczeniem podanymżej jest zabronione i powoduje utratę gwarancji oraz brak odpowiedzialności producenta za powstałe w wyniku tego szkody.

Jakiegokolwiek modyfikacje urządzenia dokonane przez użytkownika zwalniają producenta z odpowiedzialności za uszkodzenia i szkody wyrządzone użytkownikowi i otoczeniu.

Pomimo zgodnego z przeznaczeniem stosowania nie można całkowicie wyeliminować określonych czynników ryzyka resztkowego. Ze względu na konstrukcję i budowę maszyny mogą wystąpić następujące niebezpieczeństwa:

- dotknięcie obracającego się wiertła w trakcie pracy ręką lub ubraniem operatora;
- oparzenie przy wymianie wiertła. (Podczas pracy wiertło bardzo się rozgrzewa, żeby uniknąć oparzenia przy jego wymianie należy stosować rękawice ochronne);
- odrzucenie przedmiotu obrabianego lub części przedmiotu obrabianego;
- skrzywienie/złamanie wiertła.

### **■ Kompletacja:**

- Wiertarko-wkrętarka akumulatorowa - 1 szt.
- Akumulator - 1 szt.
- Ładowarka - 1 szt.
- Zestaw narzędzi roboczych:
  - końcówka magnetyczna do bitów z uchwytem 1/4"-1 szt.
  - bity - 6 szt. (PH1, PH2, PZ1, PZ2, SL5, SL6)
  - wiertła - 6 szt. (1,5; 2,5; 3; 4; 5; 6 mm)
- Kufer transportowy - 1 szt.
- Karta gwarancyjna - 1 szt.
- Instrukcja obsługi - 1 szt.

### **■ Elementy urządzenia:**

Numeracja elementów urządzenia odnosi się do przedstawienia graficznego umieszczonego na stronie 2 instrukcji obsługi:

- Rys.A**
1. Uchwyt wiertarski szybkozaciskowy
  2. Pokrętko regulacji sprzęgła
  3. Wskaźnik pojemności akumulatora
  4. Przełącznik kierunku obrotów
  5. Rękojeść
  6. Klamra do zawieszania na pasku
  7. Akumulator
  8. Przycisk blokady akumulatora

9. Włącznik  
10. Oświetlenie pomocnicze

**Rys.C 11.** Ładowarka

**Rys.F 12.** Znacznik nastawienia sprzęgła

13. Piktogram pozycji wiercenie

**Rys.G 14.** Śruba mocująca lewoskrętna

#### DANE TECHNICZNE:

MODEL	TFV12	TFV18
Napięcie zasilania	DC 12 V	DC 18 V
Prędkość obrotowa bez obciążenia	0-700/min	
Zakres mocowania uchwytu wiertarskiego	∅ 0,8-10 mm	
Waga (z akumulatorem)	1,030 kg	1,135 kg
Poziom ciśnienia akustycznego (LpA)	81 dB(A)	
Poziom mocy akustycznej (LwA)	92 dB(A)	
Tolerancja pomiaru KpA, KwA	3 dB(A)	
Poziom wibracji wg: EN 60745 (tolerancja pomiaru K=1,5 m/s <sup>2</sup> )	2,19 m/s <sup>2</sup>	
<b>Typ akumulatora</b>	<b>Li-ion</b>	
Napięcie akumulatora	12V	18V
Pojemność akumulatora	1500mAh	
<b>Ładowarka</b>		
Napięcie wejściowe	100-240 V	
Częstotliwość sieci	50/60 Hz	
Moc pobierana	5W	8W
Napięcie wyjściowe (DC)	15V/ 0,33A	21,5V/ 0,37A
Czas ładowania	3-5 h	

Podany poziom drgań jest reprezentatywny dla podstawowych zastosowań elektronarzędzia. Jeżeli elektronarzędzie użyte zostanie do innych zastosowań lub z innymi narzędziami roboczymi, a także jeśli nie będzie wystarczająco konserwowane, poziom wibracji może odbiegać od podanego. Podane powyżej przyczyny mogą spowodować podwyższenie ekspozycji na wibracje podczas całego czasu pracy.

Należy wprowadzić dodatkowe środki bezpieczeństwa, mające na celu ochronę operatora przed skutkami ekspozycji na wibracje, np.: konserwacja elektronarzędzia i narzędzi roboczych, zabezpieczenie odpowiedniej temperatury rąk, ustalenie kolejności operacji roboczych.

#### PRZED PRZYSTĄPIENIEM DO PRACY:

##### ■ Ładowanie akumulatora

Wiertarko-wkrętarka jest dostarczana z akumulatorem częściowo naładowanym. Przed użyciem należy w pełni naładować akumulator. Dla pierwszego ładowania zaleca się ładowanie trwające minimum 5 godzin.

1. Wcisnąć przycisk blokady akumulatora (8) i wyjąć akumulator (7) z wiertarko-wkrętarki (patrz rys. B).
2. Podłączyć akumulator (7) do ładowarki (11) (patrz rys. C).
3. Podłączyć wtyczkę ładowarki do gniazdka sieciowego 100-240 V, 50/60Hz.

##### ■ Sygnalizacja ładowania baterii

Świecąca czerwona dioda akumulatora informuje, że ładowanie jest w toku. Gdy bateria będzie całkowicie naładowana czerwona dioda zgaśnie i zapali się dioda zielona.

W miarę postępu ładowania prąd ładowania automatycznie się zmniejsza. Po ok. 3 godzinach prąd ładowania stabilizuje się na minimalnym poziomie (ładowanie podtrzymujące), co zapobiega możliwości przeładowania i uszkodzenia akumulatora.

**Po zakończeniu ładowania odłącz ładowarkę z sieci i od akumulatora.**

Akumulator litowo-jonowy można doładować w dowolnej chwili, nie powodując tym skrócenia jego żywotności. Przerwanie procesu ładowania nie niesie za sobą ryzyka uszkodzenia ogniw akumulatora.

#### W TRAKCIE PRACY:

##### ■ Włączanie/wyłączanie

Zainstalowany włącznik (9) posiada płynną regulację prędkości obrotowej.

Aby włączyć elektronarzędzie należy nacisnąć włącznik. Prędkość obrotowa będzie się zwiększała wraz z głębokością wciśnięcia przycisku. Aby zatrzymać elektronarzędzie należy zwolnić włącznik.

##### ■ Wskaźnik pojemności akumulatora

Wskaźnik pojemności akumulatora (3) sygnalizuje stan rozładowania baterii za pomocą dwóch kolorowych diod LED.

##### Świeci zielona dioda LED:

Akumulator jest całkowicie naładowany.

##### Świeci zielona i czerwona dioda LED:

Akumulator naładowany jest wystarczająco.

##### Świeci tylko czerwona dioda LED:

Akumulator jest rozładowany, należy go naładować.

##### ■ Wybór kierunku obrotów (patrz rys. E)

Wiertarko-wkrętarka ma możliwość pracy z obrotem wkręcania zgodnie z ruchem wskazówek zegara (obroty prawe) lub sprzecznie z ruchem wskazówek zegara (obroty lewe):

- aby ustawić prawe obroty, należy przesunąć suwak przełącznika lewych / prawych obrotów (4) w lewo (patrząc z tyłu wiertarko-wkrętarki),

- aby ustawić lewe obroty, należy przesunąć suwak przełącznika lewych / prawych obrotów (4) w prawo (patrząc z tyłu wiertarko-wkrętarki).

Gdy przełącznik kierunku obrotów znajduje się w pozycji środkowej to włącznik jest zablokowany.

Do wiercenia i wkręcania wkrętów należy ustawić prawe obroty. Do wycofywania wiertła, wyjmowania zaklinowanego wiertła i wkręcania wkrętów należy ustawić lewe obroty.

##### ■ Wybór momentu obrotowego (patrz rys. F)

Wiertarko-wkrętarka jest wyposażona w pierścień (2), służący do ustawiania momentu obrotowego przy wkręcaniu wkrętów. Na pierścieniu jest zaznaczonych 22 pozycje, od 1 do 21 oraz pozycja wiercenia.

Ustawienie pierścienia w wybranym położeniu (od 1 - 21) powoduje trwałe ustawienie sprzęgła na określonej wielkości momentu obrotowego. Pozwala to na zabezpieczenie przed wkręceniem wkrętu zbyt głęboko lub uszkodzeniem wkrętu. Dla różnych wkrętów i różnych materiałów stosuje się różne wielkości momentu wkręcania. Zawsze należy rozpocząć z momentem o małej wielkości i powiększać moment stopniowo, aż do osiągnięcia zadawalającego rezultatu.

Aby wiercić w metalu, drewnie i tworzywie sztucznym należy ustawić pierścień (2) tak, aby znacznik (12) pokrywał się z symbolem (13).

##### ■ Wymiana uchwytu (patrz rys. G)

1. Odłączyć akumulator (7) od wkrętarki.
2. Maksymalnie otworzyć uchwyt (1).

3. Odkręcić wkrętakiem PH 2 (Philips Nr 2) zgodnie z ruchem wskazówek zegara śrubę mocującą uchwyt (14) (**UWAGA! Lewy gwint**). Zakleszczoną śrubę można zwolnić przez lekkie uderzenie w jej łeb.

4. Przytrzymać dolny pierścień uchwytu (bliższy korpusowi wkrętarki) i odkręcić uchwyt wiertarko-wkrętarki w kierunku przeciwnym do ruchu wskazówek zegara (patrząc od strony uchwytu).

**UWAGA:** Zakleszczony szybkozaczepowy uchwyt wiertarki (1) można zwolnić przez zamocowanie krótszą stroną w uchwycie klucza imbusowego i lekkie uderzenie w długie ramię klucza (patrz rys. D).

5. Aby założyć uchwyt należy nakręcić go na wrzeciono zgodnie z ruchem wskazówek zegara (patrząc od strony uchwytu) i zabezpieczyć śrubą mocującą, przykręcając ją śrubokrętem PH 2 (Philips Nr 2) w kierunku przeciwnym do ruchu wskazówek zegara. Aby uchwyt się nie obracał w trakcie wkręcania śruby mocującej należy przytrzymać uchwyt za dolny pierścień (bliższy korpusowi wiertarko-wkrętarki).

#### ■ Elementy dodatkowe

- Praktyczna klamra (6) służy do zawieszania wiertarko-wkrętarki na pasku użytkownika zarówno dla praworęcznych jak i dla leworęcznych.
- Wiertarko-wkrętarka wyposażona jest w oświetlenie pomocnicze (10) miejsca wiercenia/wkręcania, które włącza się po przyciśnięciu włącznika (9).

#### ■ Wymiana narzędzi roboczych

**UWAGA:** Odłączyć akumulator od wkrętarki lub nastaw przełącznik kierunków obrotów (4) na pozycję środkową, aby zabezpieczyć się przed przypadkowym włączeniem maszyny, co może spowodować zranienie operatora.

Przy zwolnionym włączniku (9) następuje blokada wrzeciona wiertarskiego. Umożliwia to szybką, wygodną i łatwą wymianę narzędzia roboczego w uchwycie wiertarskim. Aby wyjąć wiertło (lub końcówkę roboczą) z uchwytu należy obracać pierścień uchwytu w lewo, w celu powiększenia otworu w uchwycie. Aby zainstalować wiertło (lub końcówkę roboczą) do uchwytu należy obracać pierścień uchwytu w prawo aby uzyskać zaciśnięcie wiertła w uchwycie.

Wiertło (lub innego typu końcówkę roboczą) należy wkładać do uchwytu, do oporu.

#### ■ Wiercenie otworów

1. Przy wykonywaniu głębokich otworów należy wiercić stopniowo, na mniejsze głębokości, wycofywać wiertło z otworu, aby umożliwić usunięcie wiórów z otworu.
2. Przy wierceniu otworu o dużej średnicy zaleca się rozpoczynać od wywiercenia otworu mniejszego, a później rozwiercenia go na pożądany wymiar. Zapobiegnie to możliwości przecięcia wiertarki.
3. Jeśli dojdzie do zakleszczenia się wiertła, w czasie wiercenia, należy natychmiast wyłączyć wkrętarkę, aby nie dopuścić do jej uszkodzenia. Korzystając ze zmiany kierunku obrotów należy usunąć wiertło z otworu.
4. Należy utrzymywać wkrętarkę w osi wykonywanego otworu. Wiertło powinno być ustawione pod kątem prostym do powierzchni obrabianego materiału. W przypadku, nie zachowania prostopadłości, w czasie pracy, może dojść do zakleszczenia lub złamania się wiertła w otworze, a w krańcowym przypadku do zranienia użytkownika.

Regulacji prędkości obrotowej wrzeciono dokonuje się przez

odpowiednią siłą nacisku na włącznik.

#### ■ Wkręcanie wkrętów

Zaleca się wykonywanie najpierw otworu pilotującego, nieco głębszego od długości wkręta i o nieco mniejszej średnicy od średnicy zewnętrznej gwintu wkręta. W przypadku gdy wkręt znajduje się w sąsiedztwie krawędzi materiału, wykonanie otworu pilotującego zapobieże możliwości niepożądanego odprysnięcia materiału.

Jeśli przy wkręcaniu wystąpi trudność z zagłębieniem się wkręta, to należy wkręt wykręcić i powiększyć trochę otwór pilotujący.

Jeśli nadal wkręcanie przebiega z trudnością (co może wystąpić w przypadku twardych gatunków drewna) należy spróbować użyć środka smarującego (np. mydło w płynie). Należy wywierać odpowiedni nacisk na wkrętarke, aby nie dopuścić do obracania się końcówki wkrętakowej względem łba wkręta. Stosować końcówki dokładnie dopasowane do łba wkręta. Uszkodzenia gniazda wkręta może uniemożliwić wkręcenie bądź wykręcenie wkręta.

#### PRZECHOWYWANIE I KONSERWACJA:

Elektronarzędzie w zasadzie nie wymaga specjalnych zabiegów konserwacyjnych. Wiertarko-wkrętarke należy przechowywać w miejscu, niedostępnym dla dzieci, utrzymywać w stanie czystości, chronić przed wilgocią i zapyleniem. Warunki przechowywania powinny wykluczać możliwość uszkodzeń mechanicznych oraz wpływ szkodliwych warunków atmosferycznych.

**UWAGA:** Zawsze przed rozpoczęciem czynności czyszczenia i konserwacji należy odłączyć akumulator od wiertarko-wkrętarki i wyjąć wtyczkę ładowarki z gniazda zasilającego.

Ładowarkę należy czyścić tylko przy użyciu suchej szmatki.

Przy wiertarko-wkrętarce należy czyścić okresowo otwory wentylacyjne przy użyciu suchej szczołeczki lub szmatki. Należy okresowo zdemontować uchwyt wiertarski i wysypać z wnętrza pył i inne zanieczyszczenia.

Obudowę wiertarko-wkrętarki okresowo czyścić wilgotną ściereczką z niewielką ilością mydła aby usunąć pył i inne zanieczyszczenia. Nie używać żadnych środków czyszczących ani rozpuszczalników; mogą one uszkodzić części urządzenia wykonane z tworzywa sztucznego. Należy uważać, aby do wnętrza urządzenia nie dostała się woda. Po czyszczeniu odczekać aż wiertarko-wkrętaraka całkowicie wyschnie.

#### TRANSPORT:

Elektronarzędzie transportować i składować w kufrze transportowym, chroniącym przed wilgocią, wnikaniem pyłu i drobnych obiektów, zwłaszcza należy zabezpieczyć otwory wentylacyjne. Drobne elementy, które dostaną się wewnątrz obudowy mogą uszkodzić silnik.

#### OCHRONA ŚRODOWISKA:



**UWAGA:** Przedstawiony symbol oznacza zakaz umieszczenia zużytego sprzętu łącznie z innymi odpadami (z zagrożeniem garażowymi). Składniki niebezpieczne znajdujące się w sprzęcie elektrycznym i elektronicznym wpływają negatywnie na środowisko naturalne i zdrowie ludzi.

Gospodarstwo domowe powinno przyczyniać się do odzysku i ponownego użycia (recyklingu) zużytego sprzętu. W Polsce i w Europie stworzony jest lub już istnieje system zbierania zużytego sprzętu, w ramach którego wszystkie punkty sprzedaży ww. sprzętu mają obowiązek przyjmować zużyty sprzęt. Ponadto istnieją punkty zbiórki ww. sprzętu.

#### PIKTOGRAMY:

Objaśnienia ikonek znajdujących się na tabliczce znamionowej i naklejkach informacyjnych na urządzeniu.



«Przed uruchomieniem należy przeczytać instrukcję obsługi»



«Zawsze stosować okulary ochronne»



«Stosować środki ochrony słuchu»

#### PRODUCENT:

PROFIX Sp. z o.o.

ul. Marywilska 34,

03-228 Warszawa

Niniejsze urządzenie jest zgodne z normami krajowymi i europejskimi, oraz z wytycznymi bezpieczeństwa.

Wszelkie naprawy muszą być przeprowadzane przez wykwalifikowany personel, używając oryginalnych części zamiennych.

#### TYPOWE USTERKI I ICH USUWANIE:

PROBLEM	MOŻLIWA PRZYCZYNA	ROZWIĄZANIE PROBLEMU
Wiertarko-wkrętarka nie działa.	Brak zasilania, uszkodzenie silnika lub włącznika.	Sprawdzić stan baterii, w razie potrzeby doładować lub wymienić na nową. Jeżeli elektronarzędzie nadal nie działa, należy je wysłać do serwisu naprawczego na adres podany w karcie gwarancyjnej.
Zakłócenia w pracy silnika.	Rozładowana bateria.	Doładować baterię.
	Zużyte szczotki węglowe.	Wymienić szczotki węglowe w serwisie naprawczym.



Polityka firmy PROFIX jest polityką stałego udoskonalania swoich produktów i dlatego firma rezerwuje sobie prawo zmiany specyfikacji wyrobu bez uprzedniego zawiadomienia. Obrazki, podane w instrukcji obsługi, są przykładowymi i mogą się nieznacznie różnić od rzeczywistego wyglądu zakupionego urządzenia.

Niniejsza instrukcja jest chroniona prawem autorskim. Kopiowanie/ powielanie jej bez pisemnej zgody firmy Profix Sp. z o.o. jest zabronione.



**ПЕРЕД НАЧАЛОМ ЭКСПЛУАТАЦИИ НЕОБХОДИМО ОЗНАКОМИТЬСЯ С НАСТОЯЩЕЙ ИНСТРУКЦИЕЙ.**

Хранить инструкцию для возможного применения в будущем.



**ПРЕДУПРЕЖДЕНИЕ!** Необходимо ознакомиться со всеми предупреждениями, касающимися безопасности при эксплуатации, обозначенными символом ⚠ и всеми указаниями по технике безопасности.

Несоблюдение указанных ниже предупреждений, касающихся безопасности и указаний по технике безопасности может привести к поражению электрическим током, пожару и/или серьёзным травмам тела.

**Необходимо хранить все предупреждения и указания, касающиеся техники безопасности, чтобы можно было воспользоваться ними в будущем.**

В указанных ниже предупреждениях слово „электроинструмент“ означает электроинструмент с питанием от сети (посредством электрического кабеля) или электроинструмент, питаемый от аккумулятора (беспроводное питание).



**ПРЕДУПРЕЖДЕНИЕ!** Общие предупреждения, касающиеся безопасности при эксплуатации инструмента.

#### Техника безопасности на рабочем месте:

- a) Необходимо поддерживать порядок и хорошее освещение на рабочем месте. Беспорядок и плохое освещение являются причиной несчастных случаев.
- б) На следует использовать электроинструмент во взрывоопасной среде, образующейся легко воспламеняющимися жидкостями, газами или пылью. Электроинструмент создаёт искры, которые могут привести к воспламенению пыли или испарений.
- в) Не допускать детей и наблюдателей в места, в которых применяются электроинструменты. Отвлечение внимания может привести к потере контроля над электроинструментом.



**ПРЕДУПРЕЖДЕНИЕ!** Общие предупреждения, касающиеся безопасности при эксплуатации инструмента.

#### Электробезопасность:

- a) Штепсельные вилки должны соответствовать сетевым розеткам. Ни в коем случае не переделывать каким-либо образом штепсельную вилку. Не применять каких-либо удлинителей электропитания в случае использования электроинструментов, имеющих провод электропитания с защитным заземляющим проводником. Отсутствие переделок штепсельных розеток и сетевых розеток снижает опасность поражения электрическим током.
- б) Необходимо избегать прикосновения к поверхности заземлённых или закороченных на массу элементов,

таких как трубы, нагреватели, радиаторы центрального отопления и холодильные агрегаты. В случае прикосновения заземлённого или закороченного на массу элемента увеличивается опасность поражения электрическим током.

- в) Не подвергать электроинструменты воздействию дождя или влажных условий. В случае попадания в электроинструмент воды увеличивается опасность поражения электрическим током.
- г) Не создавать опасности повреждения кабеля электропитания. Ни в коем случае не использовать кабеля электропитания, чтобы переносить или тянуть электроинструмент или для извлечения штепсельной вилки из розетки. Кабель электропитания должен находиться вдали от источников тепла, масел, острых краёв и движущихся частей. Повреждённые или запутанные кабели электропитания увеличивают опасность поражения электрическим током.
- д) Если электроинструмент эксплуатируется на свежем воздухе, следует использовать удлинители кабеля электропитания, предназначенные для работы вне помещений. Использование удлинителя кабеля электропитания, предназначенного для работы вне помещений, снижает опасность поражения электрическим током.
- е) Если эксплуатация электроинструмента во влажной среде неизбежна, в качестве защиты от напряжения питания необходимо использовать защитное устройство по разностному току (RCD). Применение защитного устройства по разностному току снижает опасность поражения электрическим током.



**ПРЕДУПРЕЖДЕНИЕ!** Общие предупреждения, касающиеся безопасности при эксплуатации инструмента.

#### Индивидуальная безопасность:

- a) Настоящее оборудование не предназначено для эксплуатации лицами (включая детей) с физическими, сенсорными или умственными ограничениями или лицами, не имеющими опыта или не знающими оборудования, разве что это осуществляется под надзором или в соответствии с инструкцией по эксплуатации оборудования, переданной лицами, отвечающими за их безопасность.
- б) Необходимо быть предусмотрительным, наблюдать за работой и руководствоваться здравым смыслом во время эксплуатации электроинструмента. Не следует эксплуатировать электроинструмент в состоянии переутомления или находясь под действием наркотиков, алкоголя или лекарств. Мгновение невнимания во время эксплуатации электроинструмента может быть причиной травмы пользователя.
- в) Необходимо применять средства личной защиты.



**Необходимо обязательно работать с защитными очками.** Применение в соответствующих условиях средств личной защиты, таких как противопыльный респиратор, противоскользкая обувь, каска или средства защиты слуха снизит риск получения травмы.

- г) **Необходимо избегать случайного запуска в работу.** Прежде чем вставить вилку кабеля электропитания в сетевую розетку или подключить аккумулятор, а также перед тем, как поднять или перенести электроинструмент, необходимо убедиться, что выключатель электроинструмента находится в положении «выключено». Перенос электроинструмента с пальцем на выключателе или подключение электроинструмента к сети питания при включенном выключателе может привести к несчастному случаю.
- д) **Прежде, чем запустить электроинструмент в работу, необходимо устранить все ключи.** Ключ, оставшийся во вращающейся части электроинструмента, может привести к травме пользователя.
- е) **Не следует слишком сильно наклоняться.** Необходимо всё время сохранять устойчивость и равновесие. Это позволяет лучше контролировать электроинструмент в неожиданных ситуациях.
- ж) **Необходимо иметь соответствующую одежду. Не работать в свободной одежде или с бижутерией.** Необходимо, чтобы волосы пользователя, его одежда и рукавицы находились вдали от движущихся элементов. Свободная одежда, бижутерия или длинные волосы могут быть зацеплены движущимися частями.
- з) **Если оборудование приспособлено для присоединения внешнего пылеотвода (пылеулавливающего устройства) и поглотителя пыли, необходимо убедиться, что они присоединены и правильно применяются.** Применение поглотителей пыли может уменьшить опасность, связанную запыленностью.



**ПРЕДУПРЕЖДЕНИЕ!** Общие предупреждения, касающиеся безопасности при эксплуатации инструмента.

#### **Эксплуатация и уход за электроинструментом:**

- а) **Не допускать перегрузки электроинструмента.** Применять электроинструмент с мощностью, соответствующей выполняемой работе. Надлежащий электроинструмент позволит лучше и безопаснее работать при нагрузке, на которую он рассчитан.
- б) **Не следует применять электроинструмент, если его выключатель не включается и не выключается.** Каждый электроинструмент, который не может включаться или выключаться выключателем, представляет опасность и должен быть передан на ремонт.
- в) **Необходимо отсоединить штепсельную вилку от источника питания электроинструмента и/или отсоединить аккумулятор прежде чем выполнить какую-либо установку, замену части или складирование устройства.** Такие предупредительные меры безопасности снижают риск случайного запуска электроинструмента в

работу.

- г) **Неиспользуемый электроинструмент следует хранить в недоступном для детей месте и не разрешать тем, кто незнаком с электроинструментом или настоящей инструкцией, пользоваться электроинструментом.** Электроинструмент опасен в руках необученных пользователей.
- д) **Следует выполнять технический уход за электроинструментом.** Необходимо проверить соосность или отсутствие заедания (защемления) подвижных элементов, трещин частей, а также все другие факторы, могущие влиять на работу электроинструмента. В случае обнаружения неисправности, необходимо выполнить ремонт электроинструмента. Причиной многих несчастных случаев является непрофессиональный способ выполнения технического ухода.
- е) **Режущий инструмент должен быть острым и чистым.** Соответствующее содержание и уход за острыми краями режущего инструмента снижает вероятность защемления и упрощает обслуживание.
- ж) **Электроинструмент, оснащение, рабочие инструменты и т. п. необходимо применять в соответствии с настоящей инструкцией, учитывая рабочие условия и вид выполняемой работы.** Применение электроинструмента не по назначению может привести к опасным ситуациям.
- з) **При низкой температуре или после длительного перерыва в эксплуатации рекомендуется включение электроинструмента без нагрузки на несколько минут с целью распределения смазки в механизме привода.**
- и) **Для чистки электроинструмента применять мягкую, влажную (не мокрую) тряпку и мыло.** Не применять бензина, растворителей и других средств, могущих повредить устройство.
- й) **Электроинструмент следует хранить/транспортировать, убедившись, что все его подвижные элементы заблокированы и защищены от разблокировки при помощи оригинальных элементов, предназначенных для этой цели.**
- к) **Электроинструмент должен храниться в сухом месте и быть защищенным от пыли и проникания влаги.**
- л) **Транспортировку электроинструмента необходимо выполнять в оригинальной упаковке, защищающей от механических повреждений.**



**ПРЕДУПРЕЖДЕНИЕ!** Общие предупреждения, касающиеся безопасности при эксплуатации инструмента.

#### **Ремонт:**

- а) **Ремонт электроинструмента необходимо поручать исключительно квалифицированному лицу, использующему только оригинальные запасные части.** Это гарантирует безопасность дальнейшей эксплуатации электроинструмента.





**ПРЕДУПРЕЖДЕНИЕ!** Аккумуляторная дрель-шурупверт, предупреждения по технике безопасности –

**Индивидуальная безопасность:**

- а) Во время работы с дрелью-шурупвертом применяйте средства защиты слуха. Длительное воздействие шума может привести к потере слуха.
- б) Выполняя работы, при которых рабочий инструмент или винт могут попасть на скрытую электропроводку или на собственный кабель электропитания, электроинструмент следует держать за изолированную поверхность рукоятки. Прикосновение к проводу сети питания (кабелю электропитания), находящемуся под напряжением, может привести к попаданию напряжения на металлические части электроинструмента, а это несёт опасность поражения электрическим током.
- в) Следует применять соответствующие приборы для обнаружения укрытых проводов сети питания и попросить о помощи городские коммунальные службы. Контакт с проводами, находящимися под напряжением, может привести к пожару или поражению электрическим током. Повреждение газопроводной трубы может привести к взрыву. Проникновение в водопроводную трубу ведёт к материальным потерям и может привести к поражению электрическим током.
- г) Не обращайтесь материалы с содержанием асбеста. Асбест является канцерогеном и вызывает раковые заболевания.
- д) Необходимо поддерживать чистоту в месте выполнения работы. Смеси материалов представляют особую опасность. Пыль лёгких металлов может воспламениться или взорваться.
- е) Необходимо закрепить обрабатываемый предмет. Проверить, все ли крепления зажмы зажаты и убедиться, что нет слишком большого зазора. Закрепление обрабатываемого предмета в креплении устройстве или тисках более безопасно, чем удержание его рукой.
- ж) Во время работы следует прочно держать электроинструмент двумя руками за основную и вспомогательную рукоятку и сохранять устойчивое положение. Перемещение электроинструмента безопасно, если выполняется обеими руками.
- з) Следует немедленно отключить электроинструмент, если заблокируется используемый рабочий инструмент. Необходимо быть готовым к большому вибрациям, в результате которых может произойти отброс. Блокировка применяемого рабочего инструмента может произойти, если электроинструмент перегружен или если будет иметь место его искрение в обрабатываемом предмете.
- и) Не откладывать электроинструмент, пока он не остановится. Может произойти блокировка рабочего инструмента, в результате чего будет потерян контроль над электроинструментом.



**ПРЕДУПРЕЖДЕНИЕ!** Техника безопасности при эксплуатации аккумуляторов и зарядных устройств.

**Эксплуатация аккумуляторов:**

- а) Необходимо применять только аккумуляторы, соответствующие прилагаемой производителем спецификации. В случае применения других аккумуляторов существует опасность, что корпус аккумулятора треснет и развалится, может иметь место травма тела или пожар.
- б) **ВНИМАНИЕ:** В случае повреждения и неправильной эксплуатации аккумулятора может иметь место выделение взрывоопасных газов. Аккумулятор должен всегда находиться вдали от источника огня. Необходимо обеспечить надлежащую вентиляцию в процессе его зарядки. Запрещено оставлять его на длительное время в среде с высокой температурой (в местах с интенсивным солнечным излучением, вблизи caloriferов или там, где температура превышает 40 градусов).
- в) Зарядка аккумулятора должна осуществляться при температуре 15-25 °C.
- г) Аккумулятор следует заряжать только при помощи зарядного устройства, имеющегося в комплекте с электроинструментом. В случае применения других зарядных устройств существует опасность, что корпус аккумулятора может треснуть и разорваться, возможна травма тела или пожар.
- д) Хранить аккумуляторы от воздействия воды и влаги.
- е) Если необходимо зарядить больше одного аккумулятора, требуется сделать 30-минутный перерыв между очередными зарядками.
- ж) Категорически запрещено вскрывать аккумулятор.
- з) При неблагоприятных условиях из аккумулятора может вытекать жидкость. Необходимо избегать контакта с жидкостью. Если случайно произойдёт попадание жидкости на пользователя, место попадания необходимо промыть водой. Если жидкость попадёт в глаза, необходимо, кроме того, обратиться к врачу. Вытекающая из аккумулятора жидкость может привести к раздражению кожи или ожогам.
- и) Если аккумуляторная батарея не используется, необходимо хранить её вдали от металлических предметов, таких как металлические скрепки, монеты, ключи, гвозди, винты или малые металлические элементы, которые могут привести к короткому замыканию контактов (клемм) аккумуляторов. Короткое замыкание контактов (клемм) аккумулятора может привести к ожогам или пожару.
- к) Не бросать аккумуляторы в огонь.
- л) Запрещено заряжать повреждённый аккумулятор.



Аккумуляторы предназначены для многократной зарядки, они содержат вредный для окружающей среды литий.

После завершения срока службы необходимо утилизировать аккумуляторы в соответствии с предписаниями по охране окружающей среды.

Для этого необходимо полностью разряженный аккумулятор извлечь из электроинструмента, сдать в пункт сбора отработанных аккумуляторов или сдать в магазин, в котором он был приобретён.

### Эксплуатация зарядного устройства:

- а) Зарядку следует осуществлять только при помощи зарядного устройства, рекомендуемого производителем. Применение зарядного устройства, предназначенного для зарядки аккумуляторных батарей другого типа, может привести к пожару.
- б) Запрещено раскручивать (разбирать) зарядное устройство.
- в) Зарядное устройство предназначено только для работы внутри помещения. Нельзя подвергать его воздействию воды или влаги.
- г) Выполнять зарядку только в диапазоне температуры 15-25 градусов.
- д) Запрещено вкладывать какие-либо металлические предметы в зарядное устройство.

### **ПРЕДНАЗНАЧЕНИЕ И КОНСТРУКЦИЯ ДРЕЛИ-ШУРУПОВЕРТА:**

Аккумуляторная дрель-шуруповерт предназначена для винчивания и вывинчивания шурупов и саморезов, сверления отверстий в таких материалах, как сталь, древесина, пластмассы и т. п.

Дрель-шуруповерт предназначена исключительно для бытовых целей. **Запрещено применять её для работ, требующих применения профессионального инструмента.**

Каждое применение устройства, несоответствующее указанному выше назначению, запрещено и ведёт к потере гарантии и отсутствию ответственности производителя за возникший в результате этого ущерб.

Какие-либо модификации устройства, выполненные пользователем, освобождают производителя от ответственности за повреждения и ущерб, причинённый пользователю и окружающей среде.

Даже применяя устройство по назначению, нельзя полностью исключить определённых факторов остаточного риска. С учётом конструкции устройства может иметь место следующая опасность:

- Прикосновение в процессе работы вращающегося сверла рукой или одеждой оператора.
- Возможность ожога при смене сверла. (В процессе работы сверло сильно разогревается и чтобы избежать ожогов при его смене, необходимо применять защитные рукавицы).
- Отбрасывание обрабатываемого предмета или его части.
- Искривление или поломка сверла.

### **■ Состав комплекта:**

- Аккумуляторная дрель-шуруповерт - 1 шт.
- Аккумулятор - 1 шт.
- Зарядное устройство - 1 шт.
- Набор рабочего инструмента:
  - магнитный держатель для бит 1/4"-1 шт.
  - биты - 6 шт. (PH1, PH2, PZ1, PZ2, SL 5, SL 6)
  - сверла - 6 шт. (1,5; 2,5; 3; 4; 5; 6 мм)
- Транспортный кейс - 1 шт.
- Гарантийная карта - 1 шт.
- Инструкция по эксплуатации - 1 шт.

### **■ Элементы устройства**

Нумерация элементов устройства относится к рисункам, находящимся на странице 2 инструкции по обслуживанию:

- Рис.А**
1. Быстрозажимной сверлильный патрон
  2. Муфта установки крутящего момента
  3. Индикатор ёмкости батареи
  4. Переключатель направления вращения
  5. Рукоятка
  6. Зацеп для подвешивания на ремне
  7. Аккумулятор
  8. Кнопка разблокировки аккумулятора
  9. Включатель
  10. Вспомогательное освещение
- Рис.С** 11. Зарядное устройство
- Рис.Е** 12. Указатель установки крутящего момента
13. Символ положения «сверление»
- Рис.Г** 14. Крепящий винт с левой резьбой

### **ТЕХНИЧЕСКИЕ ПАРАМЕТРЫ:**

МОДЕЛЬ	TFV12	TFV18
Напряжение питания	DC 12 В	DC 18 В
Частота вращения без нагрузки	0-700 об/мин	
Диапазон зажима сверлильного патрона	∅ 0,8-10 мм	
Вес (с аккумулятором)	1,030 кг	1,135 кг
Уровень звукового давления (LpA)	81 дБ(A)	
Уровень звуковой мощности (LwA)	92 дБ(A)	
Погрешность измерения KpA, KwA	3 дБ(A)	
Уровень вибрации согл.: EN 60745 (погрешность измерения K=1,5 м/с <sup>2</sup> )	2,19 м/с <sup>2</sup>	
<b>Тип аккумулятора</b>	<b>Li-ion (Литий-ионный)</b>	
Напряжение заряда батареи	12В	18В
Ёмкость аккумулятора	1500мАч	
<b>Зарядное устройство</b>		
Напряжение питания	100-240 В	
Частота тока	50/60 Гц	
Потребляемая мощность	5Вт	8Вт
Выходное напряжение (DC)	15В/0,33А	21,5В/0,37А
Время зарядки	3-5 ч	

Указанный уровень вибрации соответствует основным применениям электроинструмента. Если электроинструмент будет использован для других применений или с другими рабочими инструментами, а также, если не будет выполнен соответствующий технический уход, уровень вибрации может отличаться от указанного. Указанные выше причины могут привести к усилению воздействия вибраций в течение всего времени работы.

Необходимо применять дополнительные меры безопасности с целью защиты оператора от воздействия вибрации, а именно: технический уход за электроинструментом и рабочими инструментами, обеспечение соответствующей температуры рук, определение очередности рабочих операций.

## **ПРЕЖДЕ ЧЕМ ПРИСТУПИТЬ К РАБОТЕ:**

### ■ Зарядка аккумулятора

Дрель-шуруповёрт поставляется с частично заряженным аккумулятором. Прежде чем начать её использование, необходимо зарядить аккумулятор. Первую зарядку рекомендуется выполнять не менее 5-ти часов.

1. Нажмите кнопку разблокировки аккумулятора (8), и извлеките аккумулятор (7) из дрели-шуруповёрта (см. рис. B).
2. Подключите аккумулятор (7) к зарядному устройству (11) (см. рис. C).
3. Подключите штепсельную вилку зарядного устройства к сетевой розетке 100-240 В, 50/60 Гц.

### ■ Сигнализация зарядки батареи

Светящийся **красный** светодиод батареи указывает на то, что выполняется зарядка. Когда батарея полностью заряжена светодиод гаснет и загорается **зеленый** светодиод.

В процессе зарядки ток зарядки автоматически уменьшается. Примерно через 3 часа ток зарядки стабилизируется на минимальном уровне (поддерживающая зарядка), что предотвращает возможную перезарядку и повреждение аккумулятора.

### После окончания зарядки, отключить аккумулятор от сети и извлечь аккумулятор.

Литий-ионный аккумулятор можно заряжать в произвольный момент, без снижения в результате этого его долговечности. Прекращение процесса зарядки не несёт риска повреждения элементов аккумулятора.

## **ВО ВРЕМЯ РАБОТЫ:**

### ■ Включение/выключение

Установленный выключатель (9) имеет плавную регулировку частоты вращения.

Чтобы включить электроинструмент, необходимо нажать выключатель. При увеличении глубины нажатия кнопки увеличивается частота вращения. Для остановки электроинструмента выключатель необходимо отпустить.

### ■ Индикатор ёмкости батареи

Индикатор ёмкости батареи (3) показывает уровень заряда батареи с помощью двухцветных светодиодов.

### Горит зелёный светодиод:

Аккумулятор полностью заряжен.

### Светятся зелёный и красный светодиоды:

Аккумулятор достаточно заряжен.

### Горит только красный светодиод:

Аккумулятор разряжен и необходимо его зарядить.

### ■ Выбор направления вращения (см. рис. E)

Дрель-шуруповёрт может вращаться в направлении ввинчивания, по часовой стрелке (правое вращение), или в направлении вывинчивания - против часовой стрелки (левое вращение):

- чтобы установить правое вращение, необходимо переместить ползунок переключателя левое / правое вращение (4) влево (если смотреть сзади дрели),
- чтобы установить левое вращение, необходимо переместить ползунок переключателя левое / правое вращение (4) вправо (если смотреть сзади дрели).

Если переключатель направления вращения находится в центральном положении, выключатель заблокирован.

Для сверления и ввинчивания шурупов (винтов) необходимо установить правое вращение. Для извлечения сверла, освобождения заклинившего сверла и для вывинчивания шурупов необходимо установить левое вращение.

### ■ Выбор крутящего момента (см. рис. F)

Дрель-шуруповёрт имеет регулировочную муфту (2), предназначенную для установки крутящего момента при ввинчивании шурупов (винтов). На регулировочной муфте обозначено 22 позиции: от 1 до 21 и позиция «сверление».

Установка регулировочной муфты в выбранной позиции (1-21) обеспечивает надёжную и стабильную установку передачи на определённую величину крутящего момента. Это позволяет предотвратить слишком глубокое ввинчивание шурупа или повреждение шурупа (винта). Для разных шурупов (винтов) и разных материалов применяются разные величины крутящего момента при ввинчивании.

Всегда необходимо начинать от малого вращающего момента и постепенно увеличивать его до получения удовлетворительного результата.

Чтобы сверлить в металле, древесине и пластмассе необходимо установить муфту (2) так, чтобы указатель (12) совпадал с символом (13).

### ■ Смена патрона (см. рис. G)

1. Отсоединить аккумулятор (7) от дрели-шуруповёрта.
2. Максимально раскрыть патрон (1).
3. Отвинтить отвёрткой PH 2 (Philips № 2) крепящий патрон винт (14), вращая его по часовой стрелке. (**ВНИМАНИЕ! Левосторонняя резьба**). Заевший винт можно ослабить слегка ударив в его головку.
4. Придерживать нижнюю муфту патрона (находящуюся ближе к корпусу дрели-шуруповёрта) и отвинтить патрон дрели-шуруповёрта, вращая его против часовой стрелки (если смотреть со стороны патрона).

**ВНИМАНИЕ:** В случае заклинивания быстросъемного сверльного патрона (1) на шпинделе, его можно освободить закрепив в нём более короткое плечо шестигранного ключа и легко ударяя в длинное плечо ключа (см. рис. D).

5. Чтобы установить патрон необходимо навинтить его на шпиндель, вращая по часовой стрелке (если смотреть со стороны патрона) и зафиксировать крепящим винтом, завинчивая его отвёрткой PH 2 (Philips № 2) вращением против часовой стрелки. Чтобы патрон не вращался в процессе ввинчивания крепящего винта, необходимо придерживать патрон за нижнюю муфту (расположенную ближе к корпусу дрели-шуруповёрта).

### ■ Дополнительные элементы

- Практичный зацеп (6) служит для подвешивания дрели-шуруповёрта на ремне пользователя и может использоваться как правшами, так и левшами.
- Дрель-шуруповёрт оснащена вспомогательной подсветкой (10) места сверления/ввинчивания, включающейся при нажатии выключателя (9).

## ■ Смена рабочих инструментов

**ВНИМАНИЕ:** Отключить аккумулятор от дрели или установить переключатель направления вращения (4) в среднее положение, чтобы предохранить от случайного включения электроинструмента, что может привести к травме пользователя.

При отпущенном выключателе (9) шпindel дрели находится в заблокированном состоянии. Это позволяет быстро, удобно и просто выполнять смену рабочего инструмента в сверлильном патроне. Для извлечения сверла (или рабочего наконечника) из патрона необходимо одной рукой вращать кольцо патрона влево, чтобы увеличить посадочное отверстие в патроне. Чтобы вставить сверло (или рабочий наконечник) в патрон необходимо вращать кольцо патрона вправо для зажатия сверла (рабочего наконечника) в патроне.

Сверло (или другой рабочий наконечник) необходимо вкладывать в патрон до упора.

## ■ Сверление отверстий

1. При выполнении глубоких отверстий необходимо сверлить постепенно, на меньшую глубину, извлекая сверло из отверстия, что позволяет удалять стружку из отверстия.
2. При сверлении отверстий большого диаметра рекомендуется начинать от сверления меньшего отверстия, а затем рассверлить его до требуемого размера. Это предотвратит возможную перегрузку дрели.
3. Если произойдёт защемление сверла в процессе сверления необходимо немедленно выключить дрель, чтобы не допустить её повреждения. Используя изменение направление вращения необходимо устранить сверло из отверстия.
4. Необходимо удерживать дрель вдоль оси выполняемого отверстия. Сверло должно находиться под прямым углом к поверхности обрабатываемого материала. В случае не соблюдения перпендикулярности во время работы может наступить защемление или поломка сверла в отверстии, а в крайних случаях травма пользователя.

Регулировка частоты вращения шпинделя осуществляется изменением силы нажима на выключатель.

## ■ Ввинчивание шурупов:

Рекомендуется предварительно выполнить направляющее отверстие, глубиной немного больше, чем длина шурупа, и диаметром немного меньше внешнего диаметра резьбы шурупа. Если шуруп находится вблизи края материала, выполнение направляющего отверстия предотвращает возможное откалывание материала.

Если при ввинчивании появляются трудности с углублением шурупа, необходимо вывинтить шуруп и несколько увеличить направляющее отверстие.

Если ввинчивание и дальше происходит с трудом (это может иметь место в случае твёрдых пород дерева) необходимо попытаться использовать смазывающее средство (напр. мыльный раствор). Необходимо оказывать необходимый нажим на дрель-шуруповерт, чтобы не допустить вращения отвёрточного наконечника относительно головки шурупа. Применять отвёрточные наконечники точно подходящие к головке шурупа. Повреждение гнезда шурупа может сделать невозможным ввинчивание или вывинчивание шурупа.

## ХРАНЕНИЕ И ТЕХНИЧЕСКИЙ УХОД:

Аккумуляторная дрель-шуруповёрт в принципе не требует специальных процедур по техническому уходу. Дрель следует хранить в месте, недоступном для детей, содержать в чистоте, защищать от влаги и попадания пыли. Условия хранения должны исключать возможность механических повреждений и влияния атмосферных условий.

**ВНИМАНИЕ:** Прежде чем начать процедуры чистки и технического ухода необходимо отключить аккумулятор от дрели-шуруповерта и извлечь штепсельную вилку зарядного устройства из розетки.

Зарядное устройство нужно чистить при помощи сухой тряпочки.

Вентиляционные отверстия электроинструмента очищать сухой щёткой или тряпочкой.


Периодически демонтировать патрон и высыпать из его отверстия пыль и другие загрязнения.

Корпус инструмента следует чистить влажной тряпкой с небольшим количеством мыла. Не применять каких-либо чистящих средств или растворителей; они могут повредить части устройства, изготовленные из пластмассы. После чистки дождаться, пока инструмент полностью высохнет.

## ТРАНСПОРТИРОВКА:

Электроинструмент следует транспортировать и складировать в транспортном чемодане, защищающем от влаги, проникновения пыли и мелких объектов, особенно необходимо защитить вентиляционные отверстия. Мелкие элементы, попавшие вовнутрь корпуса, могут повредить двигатель.

## ЗАЩИТА ОКРУЖАЮЩЕЙ СРЕДЫ:

 **ВНИМАНИЕ:** Указанный символ означает запрет размещения использованных электроинструментов вместе с другими отходами (за это грозит наказание в виде штрафа). Опасные компоненты, имеющиеся в электрическом и электронном оборудовании, отрицательно влияют на окружающую среду и здоровье.

Домашнее хозяйство должно способствовать восстановлению и повторному использованию (рециклированию) использованного оборудования. В Польше и в Европе создаётся или уже существует система сбора использованного оборудования, предусматривающая, что все пункты продажи в/у оборудования обязаны принимать использованное оборудование. Кроме того, имеются пункты приёма в/у оборудования.

## ПИКТОГРАММЫ:

Описание знаков, имеющихся на щитке и информационных наклейках на электроинструменте.



«Перед включением и началом работы необходимо прочитать инструкцию по эксплуатации»



«Во время работы рекомендуется применять соответствующие средства защиты слуха»



«Использовать защитные очки во время работы»

**ПРОИЗВОДИТЕЛЬ:**

PROFIX Sp. z o.o.

ul. Marywilaska 34,

03-228 Warszawa, Польша

Настоящее устройство соответствует польским и европейским стандартам, а также указаниям по технике безопасности.

Все работы по ремонту должны выполняться квалифицированным персоналом с применением оригинальных запасных частей.

**ТИПИЧНЫЕ НЕИСПРАВНОСТИ И ИХ УСТРАНЕНИЕ:**

ПРОБЛЕМА	ВОЗМОЖНАЯ ПРИЧИНА	РЕШЕНИЕ ПРОБЛЕМЫ
Дрель-шурупверт не работает.	Отсутствие питания, повреждение электродвигателя или включателя.	Проверить состояние батареи, в случае необходимости выполнить её подзарядку или заменить на новую. Если электроинструмент всё равно не работает, необходимо отправить его в сервисный пункт по указанному в гарантийной карте адресу.
Нарушение работы электродвигателя.	Разряжена батарея.	Зарядить батарею.
	Изношены угольные щётки.	Заменить угольные щётки в сервисном пункте.



Политика компании PROFIX - это политика постоянного совершенствования своих изделий, поэтому компания сохраняет за собой право изменения спецификации изделия без предварительного уведомления. Изображения, имеющиеся в инструкции, являются примерными и могут незначительно отличаться от фактического вида приобретённого электроинструмента.

Настоящая инструкция по эксплуатации защищена авторскими правами. Запрещено её копирование и размножение без согласия ООО «ПРОФИКС».

**RO**

## INSTRUCȚIUNE DE FOLOSIRE MAȘINA DE GĂURIT/ÎNȘURUBAT CU ACUMULATOR: TFX12, TFX18

Traducere din instrucțiunea originală



### ÎNAINTE DE UTILIZARE, CITIȚI ACESTE INSTRUCȚIUNI.

Păstrează instrucțiunile pentru o folosire viitoare.

**ATENȚIE!** Citește toate avertismentele referitoare la protecția muncii marcate cu simboluri ⚠ și toate indicațiile referitoare la utilizarea în siguranță.



Nerespectarea avertismentelor de mai jos, poate duce la accidente și la electrocutare, incendii și/sau la vătămări corporale.

**Păstrează toate avertismentele și indicațiile referitoare la protecția muncii, pentru a le folosi în viitor.**

În avertismentele de mai jos, termenul "unealtă electrică" înseamnă *unealtă care este alimentată de la rețea (cu cablu de alimentare) sau unealtă electrică alimentată din baterie (fără cablu).*



### **ATENȚIE!** Reguli generale de protecție a muncii.

#### Siguranța la locul de muncă:

- La locul de muncă păstrează curățenii și bună iluminare.** Zonele și bancurile de lucru aglomerate cheamă accidente.
- Nu utilizezi unealta electrică în atmosfere explozive, formate din lichide inflamabile, gaze sau lichide.** Unelata electrică produce scântei, care pot aprinde praful sau aburul.
- Țineți copiii departe de locurile în care unealta electrică este folosită.** Distragerea atenției poate duce la pierderea atenției asupra unelei electrice.



### **ATENȚIE!** Reguli generale cu privire la utilizarea în siguranță a unelei.

#### Siguranța electrică:

- Ștecherul unelei electrice trebuie să fie conforme cu priza.** Este interzisă modificarea ștecherului. Este interzisă utilizarea prelungitoarelor în cazul uneltelor electrice cu cablu de legare la pământ de protecție. Nemođificarea ștecherelor și a prizelor micșorează riscul de electrocutare.
- Evitați să atingeți suprafața de împământenire sau conectările la masă, cum ar fi conducte, radiatoare, radiatoare de încălzire centrală și frigider.** În cazul atingerii părților împământenite, crește riscul de electrocutare.
- Nu expuneți sculele electrice în condiții de ploaie sau mediu umed.** În caz de infiltrație cu apă, crește riscul de electrocutare.
- Nu abuzați de cablurile de conectare.** Nu folosiți cablul de alimentare la mutarea, tragerea unelei sau tragerea ștecherului din priză. Păstrați cablul de alimentare departe de surse de căldură, ulei, muchii ascuțite sau părți în mișcare. Cablurile deteriorate sau încurcate cresc riscul de electrocutare.
- În cazul în care unealta electrică este folosită în aer liber, conectarea trebuie efectuată cu ajutorul prelungitoarelor destinate funcționării în aer liber.** Folosirea prelungitorului destinat funcționării în aer liber, micșorează riscul de electrocutare.
- În cazul în care unealta electrică este folosită în mediu umed, este inevitabilă, utilizarea unui dispozitiv de protecție împotriva tensiunii de alimentare, cum ar fi aplicarea unui dispozitiv de curent rezidual (RCD).** Folosirea RCD micșorează riscul de electrocutare.



### **ATENȚIE!** Avertismente generale cu privire la siguranța folosirii unelei.

#### Siguranță personală:

- Acest echipament nu este destinat utilizării de către persoane (inclusiv copii) cu abilități fizice reduse, senzoriale sau mentale, sau de persoane care nu au experiență sau nu cunosc echipamentul, cu excepția cazului în care are loc sub supraveghere sau în conformitate cu instrucția de folosire a echipamentului, de către o persoană responsabilă pentru siguranța lor.**
- Trebuie să fii atent, să avari grijă ce faci și să păstrați bun simț în timpul folosirii unelei electrice.** Nu folosiți unealta electrică, când sunteți obosiți sau sub influența drogurilor, alcoolului sau a medicamentelor. Un moment de neatenție în timpul lucrului cu unelata electrică poate cauza vătămări personale grave.
- Folosiți echipament de protecție.** Purtați întotdeauna ochelari de protecție. Folosind echipamentul de protecție cum ar fi masca de praf, pantofi cu anti-alunecare, căști sau protecție auditivă, micșorai riscul de vătămare.
- Evitați pornirea accidentală.** Înainte de conectarea la sursa de alimentare și/sau înainte de conectarea bateriei și înainte de ridicarea sau mutarea unelei asigurativă că comutatorul unelei electrice este în poziția oprită. Mutarea unelei electrice cu degetul pe comutator sau conectarea unelei electrice la rețeaua de alimentare în poziția pornită poate provoca un accident.
- Înainte de pornirea unelei electrice îndepărtați toate uneltele din apropiere.** Lăsarea de unelte pe părțile de mișcare ale unelei electrice poate duce la vătămări corporale.
- Nu vă aplecați prea mult.** Trebuie să stați siguri și să mențineți echilibrul. Acest lucru va permite un control mai bun asupra unelei electrice în situații neașteptate.
- Îmbrăcați-vă corespunzător.** Nu purtați haine largi sau bijuterii. Țineți părul strâns, hainele și mânușile departe de părțile în mișcare. Hainele largi, bijuteria sau părul lung se pot agăța de părțile în mișcare.
- Dacă echipamentul este potrivit pentru conectarea extractorului de praf extern și a colectorului de praf, asigurați-vă că acestea sunt conectate și folosite corect.** Folosirea colectorului de praf poate reduce riscul de pericole legate de prăfuit.



### **ATENȚIE!** Avertismente generale cu privire la folosirea în siguranță a unelei.

#### Utilizarea și îngrijirea unelei electrice:

- Nu supraîncărcați unealta electrică.** Utilizați o unealtă electrică în funcție de puterea necesară muncii efectuate. Unealta electrică corectă va permite o funcționare mai bună și este sigură în cazul însărcinării, pentru care a fost proiectată.
- Este interzisă utilizarea unelei electrice dacă comutatorul nu pornește și nu oprește unealta.** Fiecare unealtă electrică care nu pornește sau nu se oprește este periculoasă și trebuie reparată.

- c) **Deconectați ștecherul de la sursa de alimentare a unei electricice și/sau deconectați bateria înainte de orice setare, schimbare de părți sau depozitare.** Aceste mijloace de protecție reduc riscul unei porniri accidentale a unelei electrice.
- d) **Unealta electrică nefolosită trebuie depozitată departe de copii și nu trebuie împrumutată persoanelor care nu cunosc unealta electrică sau care nu au citit această instrucție de folosire a unelei electrice.** Unealta electrică este periculoasă când este folosită de o persoană fără experiență.
- e) **Unealta electrică trebuie bine întreținută.** Trebuie controlată alinierea sau bruierea pieselor în mișcare, ruperea pieselor și alți factori care pot avea influență la funcționarea unelei electrice. Dacă găsim o deteriorare, unealta electrică înainte folosirii trebuie reparată. Cauza multor accidente este întreținerea necorespunzătoare a unelei electrice.
- f) **Uneltele de tăiere trebuie să fie ascuțite și curate.** Înțreținerea părților ascuțite ale uneltelor de tăiere reduce riscul de blocare în material și ușurează folosirea.
- g) **Unealta electrică, echipamentul, uneltele de lucru, etc. trebuie folosite în conformitate cu această instrucție, ținând cont de tipul și condițiile de lucru.** Utilizarea unelei electrice în alt mod decât este destinația, poate duce la situații periculoase.
- h) **La temperaturi scăzute, sau după o perioadă îndelungată de nefolosire, este recomandată pornirea unelei electrice fără sarcină pentru câteva minute pentru a distribui corect unsoarea în mecanismul de transmisie.**
- i) **Pentru curățirea unelei electrice folosiți o cârpă moale, umedă (nu udă) și săpun.** Nu folosiți benzină, diluanți sau alte mijloace care pot deteriora echipamentul.
- j) **Unealta electrică trebuie depozitată/transportată numai după ce ne-am asigurat că toate elementele în mișcare sunt blocate și asigurate cu ajutorul elementelor originale destinate blocării.**
- k) **Unealta electrică trebuie păstrată într-un loc uscat, asigurat împotriva prafului și a umezelii.**
- l) **Transportul unelei electrice trebuie să aibă loc în ambalajul original, asigurat împotriva deteriorărilor mecanice.**



**ATENȚIE!** Avertismente generale cu privire la folosirea în siguranță a unelei.

#### Repararea:

- a) **Repararea unelei electrice trebuie efectuată de persoane calificate, care folosesc doar piese de schimb originale.** Acest lucru asigură că folosirea unelei electrice va fi în siguranță.



**ATENȚIE!** Mașina de găurit/înșurubat cu acumulator, avertizări referitoare la siguranță –

#### Siguranța personală:

- a) **Folosiți protecție auditivă în timp ce utilizați mașina de găurit - înfiletat.** Expunerea la zgomot poate provoca pierderea auzului.
- b) **În timp ce efectuați lucrări pe durata cărora unealta sau șurubul poate să atingă cablurile electrice ascunse sau propriul cablu de alimentare, trebuie să țineți unealta electrică de suprafețele izolate ale mânerului.** Contactul cu

*cablul rețelei de alimentare aflate sub tensiune poate cauza transmiterea tensiunii pe părțile metalice ale unelei electrice, fapt ce poate cauza electrocutarea.*

- c) **Utilizați instrumente adecvate de localizare a cablurilor ascunse de alimentare sau cereți ajutor de la instituțiile municipale.** Contactul cu cablurile aflate sub tensiune poate cauza apariția incendiului sau electrocutarea. Deteriorarea țevii de gaz poate cauza explozie. Perforarea conductei de apă și canalizare poate cauza pagube materiale sau electrocutare.
- d) **Nu preluați materiale care conțin azbest.** Azbestul este considerat a fi cancerigen.
- e) **Locul de muncă trebuie păstrat curat.** Amestecul de materiale este foarte periculos. Pulberile de metal ușor se pot aprinde sau exploda.
- f) **Asigurați elementul prelucrat.** Asigurați-vă că toate elementele de fixare sunt bine strânse și verificați să nu fie prea mari distanțe. Fixarea elementului prelucrat în echipamentul de fixare sau menținând este mai sigur decât ținerea elementului cu mâna.
- g) **Unealta electrică în timpul utilizării trebuie ținută cu ambele mâini de mânerul principal și suplimentar, menținând o poziție stabilă.** Utilizarea unelei electrice este mai sigură dacă este ținută cu ambele mâini.
- h) **Oprii imediat unealta electrică, dacă se blochează unealta folosită. Fiți pregătiți pentru vibrații puternice, care pot duce la recul.** Unealta utilizată se blochează când: unealta electrică este supraîncălzită, sau când se îndoaie în element.
- i) **Înainte de așezarea unelei electrice pe banc, așteptați până unealta se oprește.** Unealta folosită se poate bloca și duce la pierderea controlului asupra acesteia.



**ATENȚIE!** Utilizare sigură a acumulatorilor și încărcătorilor:

#### Utilizare acumulatoroare:

- a) **Utilizați numai acumulatorii care corespund la specificarea dată de producător.** În cazul utilizării unor alte acumulatorii, se poate întâmpla o crăpare, o descompunere, o vătămare corporală sau un incendiu.
- b) **ATENȚIE: În cazul în care acumulatorul se deteriorează sau este folosit necorespunzător pot apărea emisii de gaze explozive.** Acumulatorul trebuie ținut departe de sursa de foc și trebuie să asigurați ventilație corespunzătoare în timp ce este încărcat. Nu lăsați acumulatorul pentru mult timp în mediu cu temperatură ridicată (în locuri expuse la lumina soarelui, în apropierea caloriferelor și în toate locurile unde temperatura depășește 40°C).
- c) **Încărcarea acumulatorului trebuie să se efectueze în mediu cu temperatura între 15-25 de grade °C.**
- d) **Acumulatorul trebuie încărcat doar cu încărcătorul atașat la umealta electrică.** Atunci când folosiți alte încărcătoare acumulatorul se poate crăpa sau descompune, vă puteți răni sau puteți provoca un incendiu.
- e) **Nu expuneți acumulatorul la acțiunea apei și umidității.**
- f) **Dacă intenționați să încărcăți mai multe decât un singur acumulator, trebuie să faceți o pauză de 30 de minute între încărcării succesive.**
- g) **În nici un caz nu deschideți acumulatorul.**



- h) În condiții nefavorabile din acumulator se poate scurge lichid; evitați contactul cu lichidul. În cazul în care utilizatorul intră în contact cu lichidul, trebuie să spălați locul cu apă. În caz de contact cu ochiul, trebuie să apelați la ajutorul medicului. Lichidul scurs din acumulator poate provoca iritații sau arsuri.
- i) În cazul în care nu utilizați bateria acumulator, trebuie să o depozitați departe de obiecte metalice precum agrafe de birou, monede, chei, cuie, șuruburi, sau alte obiecte metalice de dimensiuni mici, care pot scurtcircuita bornele acumulatorului. Scurtcircuitarea acumulatorului poate provoca arsuri sau incendiu.

j) Nu aruncați acumuloarele în foc.

k) Nu încărcați acumulatorul stricat.



Acumuloarele sunt destinate pentru încărcare multiplă, conțin litiu care este dăunător pentru mediul înconjurător.

După perioada de folosire, acumulatorul trebuie utilizat în conformitate cu legislația despre protecția mediului natural.

În acest sens, acumulatorul trebuie total epuizat, scos din electroutilaj și predat la un punct de utilizare a acumuloarelor sau la magazinul, în care a fost cumpărat.

#### Utilizare încărcător:

- a) Pentru încărcare folosiți doar încărcătorul recomandat de producător. Folosirea încărcătorului proiectat pentru încărcarea altui tip de baterii acumuloare poate provoca incendiu.
- b) Încărcătorul livrat poate fi folosit doar pentru a încărca acumuloarele care sunt livrate împreună cu acesta. Dacă încărcați alte acumuloare, acestea se pot crăpa sau descompune, vă puteți răni sau puteți provoca un incendiu.
- c) Nu demontați încărcătorul.
- d) Încărcătorul poate fi folosit doar în încăperii. Nu expuneți încărcătorul la acțiunea apei și a umidității.
- e) Încărcați doar în intervalul de temperaturi 15°-25° C.
- f) Nu introduceți niciun fel de obiecte metalice în încărcător.

#### DESTINAȚIA ȘI CONSTRUCȚIA MAȘINII DE GĂURIT/ÎNȘURUBAT:

Mașina de găurit/înșurubat cu acumulator este destinată înșurubării și deșurubării diblurilor, găuririi în materialele precum oțel, lemn, material artificial ș.a.m.d.

Mașina de găurit/înșurubat este destinată numai pentru uz casnic amator. Este interzisă folosirea unelei pentru executarea de lucrări care necesită unelte profesionale.

Fiecare utilizare a aparatului neconformă cu destinația acestuia, astfel cum a fost descrisă mai sus, este interzisă și duce la pierderea garanției și lipsa răspunderii producătorului pentru pagubele apărute în aceste cazuri.

Toate modificările aparatului efectuate de utilizator îl exceptă pe producător de responsabilitate pentru pagubele provocate utilizatorului și mediului.

În ciuda utilizării în conformitate cu destinația, nu pot fi eliminați în totalitate anumiți factori de risc. Datorită construcției și proiectării, putem întâlni următoarele pericole:

- Atingerea cu mâna a burghiului în mișcare, a îmbrăcămintii.
- Arsuri în timpul înlocuirii burghiului. (În timpul funcționării burghiului se încălzește, și pentru a evita arsurile în timpul înlocuirii folosiți

mănuși de protecție).

- Reculul elementului prelucrat sau a părților acestuia.
- Curbare/rupere a burghiului.

#### ■ Completare

- Mașina de găurit/înșurubat cu acumulator - 1 szt.
- Acumulator - 1 szt.
- Încărcător - 1 szt.
- Set de unelte de lucru:
  - capăt magnetic pentru bituri cu suport 1/4"-1 buc.
  - bituri - 6 buc. (PH1, PH2, PZ1, PZ2, SL5, SL6)
  - burghiuri - 6 buc. (1,5; 2,5; 3; 4; 5; 6 mm)
- Valiză transport - 1 buc.
- Fișa de garanție - 1 buc.
- Instrucții de folosire - 1 buc.

#### ■ Elementele mașinii

Numotarea elementelor unelei este prezentată în figura aflată pe pagina 2 a acestei instrucții de folosire:

- Des.A**
1. Mandrină cu strângere rapidă
  2. Mâner reglare arc
  3. Indicator capacitate acumulator
  4. Comutator direcție turație
  5. Mâner
  6. Cataramă pentru suspendat pe curea
  7. Acumulator
  8. Închizător blocadă acumulator
  9. Buton pornire
  10. Iluminat auxiliar

**Des.C** 11. Încărcător

**Des.F** 12. Indicator setare arc

13. Pictogramă poziție găurire

**Des.G** 14. Șurub fixare cu înfiletare stânga

#### DATELE TEHNICE:

MODEL	TFV12	TFV18
Tensiune de alimentare:	DC 12 V	DC 18 V
Viteză de rotire fără sarcină	0-700/min	
Domeniu prindere mandrină	ø 0,8-10 mm	
Masă (cu acumulatorul)	1,030 kg	1,135 kg
Nivel de presiune acustică (LpA)	81 dB(A)	
Nivel de putere acustică (LwA)	92 dB(A)	
Incertitudine KpA, KwA	3 dB(A)	
Nivelul de vibrații conform: EN 60745 (incertitudine K=1,5 m/s <sup>2</sup> )	2,19 m/s <sup>2</sup>	
<b>Tip de acumulator</b>	<b>Li-ion</b>	
Tensiune nominală	12V	18V
Capacitate	1500mAh	
<b>Încărcător</b>		
Tensiunea de alimentare	100-240 V	
Frecvența de alimentare	50/60 Hz	
Puterea	5W	8W
Curent de ieșire (DC)	15V/0,33A	21,5V/0,37A
Timp de încărcare	3-5 h	

Nivelul menționat de vibrații este reprezentativ pentru utilizarea aparatului electric. Dacă aparatul electric va fi utilizat pentru alte scopuri sau cu alte instrumente de lucru precum și dacă nu va fi întreținut corespunzător, nivelul de vibrații ar putea diferi de cel indicat. Motivele indicate mai sus pot duce la sporierea nivelului de expunere la vibrații pe toată durata timpului de funcționare.

Trebuie să introduceți mijloace adiționale de siguranță, care au scopul de a proteja operatorul de efectele de expunere la vibrații, de ex.: Întreținere aparat electric și instrumente de lucru, asigurarea temperaturii corespunzătoare a mâinilor, stabilirea ordinii operațiilor de muncă.

### **PREGĂTIRE PENTRU UTILIZARE:**

#### **■ Încărcare acumulator**

Mașina de găurit-infiletat este livrată cu acumulatorul parțial încărcat. Înainte de utilizare trebuie să încărcați complet acumulatorul. Se recomandă ca prima încărcare să dureze 5 ore.

1. Apăsarea butonului de blocare a acumulatorului (8) și scoaterea acumulatorului (7) din mașina de găurit-infiletat (vezi des. B).
2. Conectarea acumulatorului (7) la încărcător (11) (vezi des. C).
3. Cuplarea ștecherului încărcătorului la priză de rețea 100-240V, 50/60Hz.

#### **■ Semnalizare încărcare baterie**

Diada roșie aprinsă a acumulatorului informează că aparatul se încarcă. Atunci când bateria va fi încărcată în întregime diada roșie se stinge și se aprinde diada verde.

Pe durata procesului de încărcare curentul de încărcare se reduce automat. După cca. 3 ore curentul de încărcare se stabilizează la nivelul minim (încărcare de mentenanță), ceea ce va preveni posibilitatea de supraîncărcare și defectare a acumulatorului.

#### **După ce procesul de încărcare s-a terminat, decuplați încărcătorul de la rețea și scoateți acumulatorul.**

Acumulatorul litiu-ion poate fi încărcat în orice moment, fără a afecta în niciun fel durata de viață a acestuia. Întreruperea procesului de încărcare nu duce la deteriorarea celulelor acumulatorului.

### **ÎN TIMPUL UTILIZĂRII:**

#### **■ Pornire/oprire**

Butonul de pornire instalat (9) posedă regularea fluidă a vitezei de rotație.

Pentru a porni unealta electrică trebuie să apăsați pe butonul de pornire. Viteza de rotație va crește pe măsură ce apăsați mai tare pe buton. Pentru a opri unealta electrică trebuie să dați drumul la butonul de pornire.

#### **■ Indicator capacitate acumulator**

Indicatorul capacității acumulatorului (3) semnalizează faptul că bateria este descărcată cu ajutorul a două diode LED colorate.

#### **Diada LED verde este aprinsă:**

Acumulatorul este încărcat complet.

#### **Diada LED verde și cea roșie sunt aprinse:**

Acumulatorul este încărcat suficient.

#### **Diada LED este singura aprinsă:**

Acumulatorul este descărcat, trebuie încărcat.

#### **■ Selectare direcție rotație (vezi des. E)**

Mașina de găurit-infiletat are posibilitatea de funcționare cu direcția rotației conformă direcției acelor de ceas (rotație dreapta) sau contrară direcției acelor de ceas (rotație stânga):

- pentru a seta direcția de rotație în dreapta, trebuie să mișcați glisorul

comutatorului de rotație stânga/dreapta (4) în stânga (văzut din spatele aparatului),

- pentru a seta direcția de rotație în stânga, trebuie să mișcați glisorul comutatorului de rotație stânga/dreapta (4) în dreapta (văzut din spatele aparatului).

Atunci când comutatorul direcției de rotație se află în mijloc butonul de pornire este blocat.

Pentru a găuri și pentru a înfileta trebuie să setați direcția de rotație dreapta. Pentru a retrage burghiul, a scoate burghiul blocat și pentru a desfileta șuruburile trebuie să setați direcția de rotație stânga.

#### **■ Selectare turație de rotație (vezi des. F)**

Mașina de găurit-infiletat este dotată cu un inel (2), folosit pentru setarea turației de rotație la înfiletarea șuruburilor. Pe inel sunt însemnate 22 poziții, de la 1 la 21 și poziția de găurire.

Setarea inelului la poziția selectată (1 - 21) stabilește valoarea de întindere a arcului la mărirea stabilită de turație. Acest lucru permite asigurarea împotriva străngerii prea adânci sau deteriorării șurubului. Pentru diferite tipuri de șuruburi și de materiale se vor folosi valori diferite ale turației de rotație.

Trebuie să începeți mereu cu o turație mică și să creșteți turația treptat până ce atingeți rezultatul dorit.

Pentru a găuri în metal, lemn și materiale plastice trebuie să setați inelul (2) astfel încât indicatorul (12) să acopere simbolul (13).

#### **■ Schimbare mâner (vezi des. G)**

1. Scoateți acumulatorul (7) din mașina de găurit-infiletat.
2. Deschideți mânerul la maxim (1).
3. Desfiletați șurubul (14) de fixare a mandrinăi cu șurubelnița PH 2 (Philips Nr 2) conform direcției acelor de ceas (**ATENȚIE! Filet stânga**). Loviți ușor în șurubul blocat pentru a-l debloca.
4. Țineți inelul inferior al mânerului (situat mai aproape de carcasa mașinii de găurit-infiletat) și desfiletați mandrina mașinii de găurit-infiletat în direcția opusă acelor de ceas (văzut dinspre mandrină).

**ATENȚIE:** Mandrina pentru găurit cu cuplare rapidă blocată (1) poate fi eliberată prin introducerea părții scurte a cheii hexagonale în mandrină și prin lovirea ușoară a părții lungi a acesteia (vezi des. D).

5. Pentru a monta mandrina trebuie să o înfiletați pe ax conform direcției acelor de ceas (văzut dinspre mandrină) și să asigurați cu șurubul de fixare, și să-l înfiletați cu șurubelnița PH 2 (Philips Nr 2) în direcția opusă acelor de ceas. Pentru ca mandrina să nu se învârtă în timpul înfiletării șurubului de fixare trebuie să țineți mandrina de inelul de jos (cel mai apropiat de carcasa mașinii pentru găurit-infiletat).

#### **■ Elemente suplimentare**

- Catarama practică (6) este destinată pentru suspendarea mașinii de găurit-infiletat pe cureaua utilizatorului atât pentru dreptaci cât și pentru stângaci.
- Mașina de găurit-infiletat este dotată cu iluminat auxiliar (10) a locului de găurire/infiletare care se pornește după apăsarea butonului de pornire (9).

#### **■ Schimbarea uneltelor de lucru**

**ATENȚIE:** Decuplați acumulatorul de la mașina de găurit-infiletat sau setați comutatorul direcției de rotație (4) la poziția din mijloc, pentru a vă proteja de pornirea accidentală a unelei, care ar putea răni operatorul.

Atunci când comutatorul este eliberat (9) se blochează axul de găurit.

Acest lucru permite schimbul rapid, confortabil și ușor al uneiel de lucru în mânerul mașinii de găurit. Pentru a scoate burghiul (sau capul de lucru) din mandrină trebuie să rotiți inelul de pe mandrină în stânga, pentru a mări orificiul în mâner. Pentru a instala burghiul (sau capul de lucru) în mandrină trebuie să rotiți inelul de pe mandrină în dreapta pentru a strânge burghiul în mandrină.

Burghiul (sau un alt fel de capăt) trebuie introdus în prinderea până la rezistența.

#### ■ Găurire

1. Când efectuați orificiile adânci, trebuie să găuriți treptat până la adâncimile mai mici și să dați cu burghiul înapoi pentru a înlesni ieșirea prafului din orificiul.
2. La găurirea unui orificiu de un diametru mai mare este recomandat să începeți cu efectuarea unui orificiu mai îngust, iar în urma să-l măriți până la dimensiunea dorită. Așadar evitați supraîncărcarea bormașinii.
3. Dacă în timpul găurii burghiul să blochează, opriți imediat bormașina pentru a evita deteriorarea ei. Schimbând direcția rotațiilor, scoateți burghiul din orificiul.
4. Țineți mașina de înșurubat în axa orificiul efectuat. Burghiul trebuie să fie fixat sub unghiul drept față de suprafața materialului prelucrat. Dacă nu păstrați unghiul drept în timpul utilizării, puteți provoca blocarea sau ruperea burghiului în orificiul; iar în caz extrem rănirea operatorului.

Reglarea vitezei de rotire a arborelui se face prin apăsarea cu puterea corespunzătoare pe întrerupător.

#### ■ Înșurubarea diblurilor

Prima, se recomandă efectuarea unui orificiu mai îngust, un pic mai lung de lungimea diblului. În cazul în care diblul se află în preajma marginii materialului, pregătirea unui asemenea orificiu îndepărtează riscul de desprindere nedorită a unui fragment de material.

Dacă înșurubând diblul veți întâlni vreo problemă, scoateți-l și măriți puțin orificiul.

Dacă înșurubarea în continuare merge cu greutate (ce să poate întâmpla în cazul speciilor de lemn mai dure), încercați un unguent (ex. săpun lichid). Apăsăți corespunzător pe mașina de înșurubat ca să evitați rotirea prinderii împreună cu capătul șurubelniței. Utilizați capetele care se potrivesc exact cu capătul șurubelniței. Deteriorarea prinderii șurubelniței poate provoca imposibilitatea de a înșuruba sau deșuruba.

#### DEPOZITARE ȘI MENTENANȚĂ:

Aparatul practic nu necesită o întreținere specială.

Aparatul trebuie depozitat într-un loc care nu se află la îndemâna copiilor, menținut curat, ferit de umiditate și de praf. Condițiile de depozitare trebuie să excludă posibilitatea de deteriorare mecanică sau influența factorilor atmosferici.

**ATENȚIE:** Mereu înainte să începeți acțiunile legate de curățare și conservare, scoateți acumulatorul din utilajul și ștecherul din priză de alimentare.

Încărcătorul trebuie curățate cu ajutorul unei cârpe uscate. Curățați periodic orificiile de ventilare a mașinii de găurit/înșurubat cu o periuță sau o cârpă uscată. Demontați periodic prinderea burghiului și scoateți din interiorul prafului și mizeriile.

Carcasa trebuie curățată cu o pânză curată și umezită cu o cantitate mică de săpun iar apoi trebuie stearsă până ce se usucă. Nu folosiți nicio substanță de curățare și niciun diluant; acestea pot deteriora piesele de plastic ale aparatului. Aveți atenție ca apa să nu intre în interior. După curățarea așteptați până când mașina de găurit/înșurubat se usucă.

#### TRANSPORT:

Aparatul trebuie transportat și depozitat în cutia de transport, care protejează împotriva umezelii, infiltrării de praf și a obiectelor mici, mai ales trebuie să asigure orificiile de ventilare. Elementele mici, care infiltră în interiorul carcasei, pot distruge motorul.

#### PROTECȚIA MEDIULUI:

**ATENȚIE:** Simbolul prezentat înseamnă interdicția punerii echipamentelor uzate împreună cu celelalte deșeuri menajere (sub risc de amendă). Componente periculoase care fac parte de utilaje electrice și electronice dăunează mediul natural și sănătatea omului.

Fiecare menaj ar trebui să participe la recuperarea și reciclarea utilajelor uzate. În Polonia și în Europa se formează sau există deja niște sisteme de colectare a utilajelor uzate, în cadrul cărora toate punctele de vânzare ale utilajelor citate sunt obligate să primească utilajele uzate înapoi. În plus, există și punctele specializate în colectarea asemenea utilajelor.

#### PICTOGRAME:

Explicațiile imaginilor de pe tabelul nominal și de pe etichetele informative:



«Înainte de cuplare și de a începe operarea trebuie să citiți prezenta instrucțiune»



«Folosiți întotdeauna ochelari de protecție»



«Folosiți mijloace de protecție auditivă»

#### PRODUCĂTOR:

PROFIX Sp z o.o.,  
ul. Marywilska 34,  
03-228 Warszawa, POLONIA

Prezentul utilaj este făcut conform normelor naționale și europene, precum și în condiții de siguranță.

Toate reparațiile trebuie efectuate de un personal calificat, folosindu-se piesele de schimb originale.

**DEFEȚIUNI TIPICE ȘI ÎNDEPĂRTAREA ACESTORA:**

PROBLEMĂ	CAUZĂ POSIBILĂ	SOLUȚIE
Mașina de găurit-înșurubat nu funcționează.	Lipsă alimentare, deteriorare motor sau comutator.	Verificați nivelul de încărcare al bateriei, în cazul în care este necesar încărcați sau schimbați cu una nouă. Dacă unealta electrică nu funcționează în continuare, trebuie să o trimiteți la service pentru reparații la adresa indicată pe fișa de garanție.
Perturbații în funcționarea motorului.	Baterie descărcată.	Încărcați bateria.
	Perii de cărbune uzate.	Schimbați perii de cărbune într-un service.



Politica firmei PROFIX este aceea de perfecționare continuă a produselor sale și de aceea firma își rezervă dreptul de modificare a specificației produsului fără înștiințarea anterioară. Imaginile indicate în instrucțiunile de utilizare sunt doar exemple și se pot diferi puțin de aspectul real al dispozitivului achiziționat.

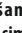
Prezenta instrucțiune este protejată prin dreptul de autor. Copierea/înmulțirea fără acordul în scris al firmei PROFIX Sp. z.o.o. este interzisă.



**PIRMS DARBA SĀKUMA NEPIECIEŠAMS IEPAZĪTIES AR ŠO INSTRUKCIJU.**

Saglabā instrukciju varbūtējai turpmākai lietošanai.



**BRĪDINĀJUMS!** Nepieciešams izlasīt visus brīdinājumus apzīmētus ar simboliem , kuri attiecas uz lietošanas drošību un visus lietošanas drošības norādījumus.

Neievērojot zemāk uzrādītos drošības brīdinājumus un norādījumus attiecībā uz drošību var būt par elektriskās strāvas triecienu, ugunsgrēku un/vai nopietnu traumu iemesls.

Ievērot visus brīdinājumus un norādījumus attiecībā uz drošību, lai tos turpmāk varētu izmantot.

Zemāk uzrādītos brīdinājumus „elektroinstruments” nozīmē elektroinstrumentu, kurš tiek barots no elektriskā tīkla (ar barošanas vadu) vai elektroinstruments barots no akumulatora (bezvadu).



**BRĪDINĀJUMS!** Vispārējie instrumenta drošas lietošanu norādījumi.

**Darba vietas drošība:**

- Darba vietā nepieciešams uzturēt kārtību un labu apgaismojumu. Nekārtība un slikts apgaismojums ir negadījumu iemesls.
- Nedrīkst lietot elektroinstrumentu sprāgstošā, viegli uzliesmojošā, gāzu un putekļainā vidē. Elektroinstrumenta darbības laikā rodas dzirksteles, no kurām var aizdegties putekļi un tvaiki.
- Vietā, kur tiek lietoti elektroinstrumenti nevar atrasties bērni un novērotāji. Novēršot uzmanību var zaudēt kontroli par elektroinstrumentu.



**BRĪDINĀJUMS!** Vispārējie instrumenta drošas lietošanu norādījumi.

**Elektriskā drošība:**

- Elektroinstrumenta kontakt Dakšīnām jābūt pielāgotām pie kontaktligzdām. Nekad nekādā gadījumā nedrīkst mainīt kontakt Dakšīņu. Nedrīkst lietot nekādus pagarinātājus gadījumā, ja elektroinstruments ir apgādāts ar vadu ar aizsardzības iezemējuma dzīslu. Ja netiek darītas kontakt Dakšīņu un kontaktligzdu izmaiņas, tas samazina elektriskā triecienu risku.
- Nepieciešams izvairīties no iezemētām virsmām vai savienotām ar masu, kā piemēram caurules, sildītāji, centrālāpkrures radiatoru un dzesinātāji. Gadījumā, ja notiek kontakts ar iezemētām vai ar masu savienotām daļām pieaug elektriskās strāvas triecienu risks.
- Nedrīkst pakļaut elektroinstrumentus uz lietus vai mitruma iedarbību. Gadījumā, ja elektroinstrumentā iekļūst ūdens pieaug elektriskās strāvas triecienu risks.
- Nedrīkst pārslogot savienojuma vadus. Nekad nedrīkst lietot savienojuma vadu elektroinstrumenta pārnēsāšanai, vilksānai vai izvilkēt kontakt Dakšīņu no kontaktligzdas aiz vada. Nepieciešams turēt savienojuma vadu tālu no siltuma avotiem, eļļainām, asām šķautnēm vai kustīgām daļām.

Bojāti vai sapīti savienojuma vadi palielina elektriskās strāvas triecienu risku.

- Gadījumā, ja elektroinstruments tiek lietots ārpusē, savienojuma vadus nepieciešams pagarināt ar pagarinātājiem, kuri ir piemēroti darbam ārpusē. Lietojot pagarinātājus piemērotus darbam ārpusē samazinās elektriskās strāvas triecienu risks.
- Gadījumā, ja ir nepieciešama lietot elektroinstrumentu mitrā vidē, par sprieguma aizsardzību nepieciešams lietot strāvas starpības ierīci (RCD). Lietojot RCD samazinās elektriskās strāvas triecienu risks.



**BRĪDINĀJUMS!** Vispārējie instrumenta drošas lietošanu norādījumi.

**Individuālā drošība:**

- Šī ierīce nav piemērota lietot cilvēkiem (tai skaitā bērniem) ar ierobežotām fiziskām, jūtības un psihiskām spējām, vai cilvēkiem bez ierīces darbības pieredzes vai zināšanām, izņemot, ja tas notiek uzraudzībā vai saskaņā ar ierīces lietošanas instrukciju, ar kuru ir iepazinušās par drošību atbildīgas personas.
- Elektroinstrumenta lietošanas laikā nepieciešams būt tālredzīgiem, novērot kas notiek un saglabāt skaidru saprātu. Nedrīkst lietot elektroinstrumentu noguruma laikā vai narkotisku vielu, alkohola vai zāļu iedarbībā. Neuzmanības mirklis strādājot ar elektroinstrumentu var radīt nopietnas ķermeņa traumas.
- Nepieciešams lietot individuālos aizsardzības līdzekļus. Vienmēr nepieciešams lietot aizsargbrilles. Lietojot attiecīgos apstākļos aizsardzības līdzekļus, tādas kā putekļu maskas, neslidošus apavus, ķiveres vai dzirdes aizsardzības līdzekļus, samazinās individuālās traumas.
- Nepieciešams izvairīties no neparedzētām kustībām. Pirms pieslēgšanas pie barošanas avota un/vai pirms akumulatora pieslēgšanas kā arī pirms tam, kad paceļam vai pārceļam ierīci nepieciešams pārliecināties, ka elektroinstrumenta slēdzis atrodas izslēgšanas stāvoklī. Pārnēsāt elektroinstrumentu ar pirkstu uz slēdža vai barošanas tīklā pieslēgtu elektroinstrumentu pie ieslēgta slēdža var būt par negadījuma iemesls.
- Pirms elektroinstrumenta palaišanas nepieciešams novākt visas atslēgas. Atslēga atstāta rotējošā elektroinstrumenta tuvumā var radīt individuālas traumas.
- Nedrīkst pārlieku tālu izlikties. Visu laiku nepieciešams stāvēt stabili un saglabāt līdzsvaru. Tas dos iespēju neparedzētās situācijās labāk kontrolēt elektroinstrumentu.
- Nepieciešams attiecīgi ģērbties. Nedrīkst nēsāt vaļīgas apģērbus vai rotas lietas. Nepieciešams turēt savus matus, apģērbu un cimdus tālu no kustīgām daļām. Vaļīgs apģērbs, rotas lietas vai gari mati var tikt aizķerti ar kustīgām daļām.
- Ja ierīce ir pielāgota ārējai putekļu sūkšanai un putekļu uzsūkšanai, nepieciešams pārliecināties, ka tie ir pieslēgti un pareizi lietoti. Lietojot putekļu sūcēju var samazināt putekļu

ieelpošanas bīstamību.



**BRĪDINĀJUMS!** Vispārējie instrumenta drošas lietošanu norādījumi.

**Lietošana un gādība par elektroinstrumentu:**

- Nedrīkst pārslēgt elektroinstrumentu. Nepieciešams piemērot elektroinstrumentu veiktajam darbam. Pareizs elektroinstrumenta nodrošinās labāku un drošāku darbu pie slodzes, kādam tas tika projektēts.
- Nedrīkst lietot elektroinstrumentu, ja slēdzis to neieslēdz un neizslēdz. Katrs elektroinstrumenta, kuru nevar ieslēgt vai izslēgt ar slēdzi ir bīstams un to nepieciešams labot.
- Nepieciešams atvienot elektroinstrumenta kontaktdakšīņu no barošanas avota un/vai atslēgt akumulatoru pirms tiek veikta jebkāda uzstādīšana, detaļu maiņa vai instrumenta glabāšana. Tādas drošības darbības reducē neparedzētu elektroinstrumenta palaišanu.
- Nelietotu elektroinstrumentu nepieciešams glabāt bērniem nepieejamās vietās un nedrīkst atļaut personām, kuras nav iepazinušās ar elektroinstrumentu vai šo lietošanas instrukciju lietot elektroinstrumentu. Elektroinstrumenti ir bīstami neapmācītu lietotāju rokās.
- Elektroinstrumentu nepieciešams konservēt. Nepieciešams pārbaudīt asu sakrītību vai kustīgo daļu iekļūšanos, detaļu plīsumus un visus apstākļus, kuri varētu ietekmēt elektroinstrumenta darbu. Ja tiek konstatēts bojājums, elektroinstrumentu pirms lietošanas nepieciešams salabot. Daudzu negadījumu iemesls ir nepareiza elektroinstrumenta konservācija.
- Griezējinstrumentiem jābūt asiem un tīriem. Attiecīgi uzturēti asi griezējinstrumenta asmeņi samazina iekļūšanās iespējas un atvieglo apkalpošanu.
- Elektroinstrumentu, aprikojumu, darba instrumentus un tml. nepieciešams lietot saskaņā ar šo instrukciju, ņemot vērā darba apstākļus un veicamo darbu. Lietot elektroinstrumentu tam neparedzētā veidā var novest pie bīstamām situācijām.
- Zemās temperatūrās vai pēc ilgāka nelietošanas laika, ieteicams uz pāris minūtēm ieslēgt elektroinstrumentu bez slodzes, lai piedziņas mehānismā sāktu pareizi darboties smērēļļa.
- Elektroinstrumentu tīrīšanai lietot mitru, mitru (ne slapju) drānu un ziepes. Nelietot benzīnu, šķīdinātājus un citus līdzekļus, kuri varētu sabojāt ierīci.
- Elektroinstrumentu nepieciešams glabāt / transportēt iepriekš pārliecinoties, ka visas kustīgās daļas ir nobloķētas un nodrošinātas pret atbloķēšanos ar oriģināliem šim nolūkam paredzētiem elementiem.
- Elektroinstrumentu nepieciešams glabāt sausā, no putekļiem un mitruma sargātā vietā.
- Elektroinstrumenta transportēšanu jāveic oriģinālā iepakojumā, kurš pasargā no mehāniskiem bojājumiem.



**BRĪDINĀJUMS!** Vispārējie instrumenta drošas lietošanu norādījumi.

**Remonts:**

- Elektroinstrumenta remontu nepieciešams veikt tikai kvalificētam speciālistam, lietojot tikai oriģinālas rezerves daļas. Tas elektroinstrumenta lietotājam nodrošinās turpmāku drošību.



**BRĪDINĀJUMS!** Akumulatora urbjmašīna-skrūvgriezis, drošības brīdinājumi –

**Individuālā drošība:**

- Strādājot ar urbjmašīnu-skrūvgriezi lietot dzirdes aizsardzības līdzekļus. Trokšņa iedarbība var zaudēt dzirdi.
- Veicot darbus, kur darba instruments vai skrūve varētu trāpīt uz slēptiem elektriskajiem vadiem vai uz paša barošanas vadu, elektroinstrumentu nepieciešams turēt aiz roktura izolētās daļas. Kontakts ar barošanas tīkla vadu, kurš ir zem sprieguma var radīt sprieguma pārešanu uz elektroinstrumenta metāla daļām kā rezultātā var notikt elektriskās strāvas trieciens.
- Nepieciešams lietot attiecīgas meklēšanas ierīces, lai lokalizētu slēptus barošanas vadus vai lūgt pilsētas dienestu palīdzību. Kontakts ar vadiem, kuri ir zem sprieguma var novest līdz ugunsgrēkam vai elektriskā strāvas triecienam. Gāzes vada bojājumus var novest līdz sprādzienam. Ūdensvada pārraušana rada materiālus zaudējumus vai notiek elektriskās strāvas trieciens.
- Neapstrādājiet materiālus, kas satur azbestu. Azbestam piemīt kancerogēnas īpašības.
- Darba vietu nepieciešams uzturēt tīru. Materiālu maisījumi ir sevišķi bīstami. Metāla putekļi var viegli aizdegties un uzsprāgt.
- Apstrādājamo priekšmetu nepieciešams nostiprināt. Pārliecināties, ka visi stiprināšanas elementi ir nostiprināti un pārbaudīti, lai nebūtu pārmērīgas pielādes. Apstrādājamo priekšmetu ir drošāk nostiprināt stiprināšanas ierīcē vai skrūvspīlēs nekā turēt to rokā.
- Elektroinstrumentu darba laikā nepieciešams stipri turēt abās rokās aiz galvenā roktura un paligroktura, ievērot stabilu pozīciju. Elektroinstrumentu drošāk vadīt abās rokās.
- Elektroinstrumentu nepieciešams nekavējoties izslēgt, kad bloķējas lietotais griezējinstrumenta. Nepieciešams būt gatavam lielai vibrācijai, kura var radīt atmešanu. Lietotais instruments bloķējas, ja elektroinstrumenta ir pārslēgts vai saliecas apstrādājamā priekšmetā.
- Pirms elektroinstrumenta nolikšanas pagaidīt līdz tas apstājas. Darba instruments var iebloķēties, kas rada ka tiek zaudēta kontrole par elektroinstrumentu.



**BRĪDINĀJUMS!** Droša akumulatoru un akumulatoru lādētāju lietošana:

**Akumulatoru lietošana:**

- Nepieciešams lietot akumulatorus tikai saskaņā ar ražotāja specifikāciju. Citu akumulatoru lietošanas gadījumā var rasties akumulatora plīsums un sabrukums, ķermeņa trauma vai ugunsgrēks.
- UZMANĪBU:** Akumulatora bojājuma vai nepareizas lietošanas rezultātā var notikt sprāgstošu gāzu izdalīšanās. Akumulatoru nepieciešams vienmēr turēt tālu no uguns kā arī lādēšanas laikā nodrošināt atbilstošu ventilāciju. Nedrīkst to atstāt uz ilgu laiku vidē, kur ir augsta temperatūra (saulainās vietās, sildelementu tuvumā vai tur, kur temperatūra pārsniedz 40 grādus).
- Akumulatora lādēšanu nepieciešams veikt 15-25°C temperatūras diapazonā.

- d) **Akumulatoru nepieciešams lādēt tikai ar elektroinstrumentam pievienoto lādētāju.** *Gadījumā, ja tiek lietoti citi lādētāji var notikt akumulatoru plisums vai sašķelšanās, ķermeņa trauma vai ugunsgrēks.*
- e) **Sargāt akumulatoru no ūdens un mitruma.**
- f) **Ja gribam lādēt sekojoši vairākus akumulatorus, starp atsevišķiem lādējumiem nepieciešams izdarīt 30 minūšu pārtraukumu.**
- g) **Nekādā gadījumā nedrīkst akumulatoru atvērt.**
- h) **Nelabvēlīgos apstākļos no akumulatora var izdalīties šķidrums; nepieciešams izvairīties no kontakta ar šķidrumu. Ja lietotājs negaidīti saskarsies ar šķidrumu, kontakta vietu nepieciešams skalot ar ūdeni. Ja šķidrums nokļūst acīs, papildus nepieciešams meklēt medicīnisko palīdzību. No akumulatora izplūstošais šķidrums var radīt kairinājumu vai applaucēšanos.**
- i) **Laikā, kad akumulatoru baterija netiek lietota, nepieciešams to glabāt tālu no metāla priekšmetiem, tādiem kā papīra spraudņiem, monētām, atslēgām, naglām, skrūvēm vai citiem maziem metāla elementiem, kuri varētu radīt akumulatora īssavienojumu. Akumulatoru īssavienojums var radīt applaucēšanos vai ugunsgrēku.**
- j) **Nemest akumulatoru uguni.**
- k) **Nedrīkst lādēt bojātu akumulatoru.**



Akumulatori paredzēti daudzkārtējai lādēšanai, satur apkārtējai videi kaitīgo litiju.

Pēc lietošanas termiņa beigām tos nepieciešams utilizēt saskaņā ar apkārtējās vides aizsardzības noteikumiem.

Šajā nolūkā pilnīgi izlietot akumulatoru, izņemt no elektroinstrumenta, nodot akumulatoru utilizācijas punktā vai veikalā, kurā tas nopirkts.

#### **Lādētāja lietošana:**

- a) **Lādēt akumulatoru nepieciešams tikai ar ražotāja ieteikto transformatoru.** *Lietojot transformatoru piemēroti cita tipa akumulatoru baterijai rada ugunsgrēka rašanās risku.*
- b) **Pievienoto lādētāju drīkst lietot tikai akumulatoru lādēšanai, kuri ir ar to piegādāti.** *Lādējot citus akumulatorus var notikt akumulatoru plisums vai sašķelšanās un ķermeņa ievainojums vai trauma vai arī ugunsgrēks.*
- c) **Lādētāja nedrīkst izjaukt.**
- d) **Lādētājs paredzēts darbam tikai telpu iekšpusē.** *To nedrīkst pakļaut ūdens un mitruma iedarbībai.*
- e) **Lādēt tikai 15-25 grādu diapazonā.**
- f) **Lādētājā nedrīkst likt nekādus metāla priekšmetus.**

#### **URBĪMAŠĪNAS-SKRŪVJGRIEZĒJA PIELIETOJUMS UN UZBŪVE:**

Akumulatoru urbmašīna-skrūvjgriezējs ir paredzēts skrūvju ieskrūvēšanai un izskrūvēšanai, caurumu urbsšanai tādos materiālos kā tērauds, koks, plastmasa un tml. Urbmašīna-skrūvjgriezējs paredzēta vienīgi amatieru darbos. **Nedrīkst lietot ierīci veicot darbus, kur nepieciešams lietot profesionālas ierīces.**

Aizliegts lietot ierīci neatbilstoši augstāk uzrādītam pielietojumam, pretējā gadījumā tiek zaudēta garantija kā arī ražotājs neatbild par šādā veidā radītiem zaudējumiem.

Jebkādas ierīces modifikācijas, kuras veic lietotājs atbrīvo ražotāju no atbildības par bojājumiem un zaudējumiem, kuri nodarīti lietotājam un apkārtējiem.

Neskatoties uz pielietojumam paredzēto lietošanu nevar pilnībā izslēgt atsevišķus riska elementus. Ņemot vērā mašīnas konstrukciju un uzbūvi var rasties sekojošas bīstamības:

- operatora rokas vai apģērba vada pieskārsšanās pie rotējoša urbjā darba laikā;
- applaucēšanās mainot urbi. (Darba laikā urbis ļoti stipri sakarst, lai novērstu applaucēšanos to mainot nepieciešams lietot aizsargcimdus);
- apstrādājamā priekšmeta vai tā daļu atmešana;
- urbjā saliekšanās/salaušana.

#### **■ Komplektācija**

- Akumulatoru urbmašīna-skrūvjgriezējs - 1 gab.
- Akumulators - 1 gab.
- Lādētājs - 1 gab.
- Instrumentu komplekts:
  - magnētiskais uzgalis priekšbitiem ar patronu 1/4" - 1 gab.
  - biti - 6 gab. (PH1, PH2, PZ1, PZ2, SL 5, SL 6)
  - urbjī - 6 gab. (1,5; 2,5; 3; 4; 5; 6 mm)
- Transportēšanas koferis - 1 gab.
- Garantijas karte - 1 gab.
- Apkalpošanas instrukcija - 1 gab.

#### **■ Sastāvdaļas**

ierīces elementu numerācija attiecas uz grafisko zīmējumu, kurš atrodas apkalpošanas instrukcijas 2.lapas pusē:

- Zīm.A**
1. Bezatslēgas urbjmašīnas patrona
  2. Sajūga regulēšana
  3. Akumulatora ietilpības rādītājs
  4. Apgriezīenu virzienu slēdzis
  5. Rokturis
  6. Skava iekāršanai pie jostas
  7. Akumulators
  8. Akumulatora stiprināšanas fiksators
  9. Slēdzis
  10. Palīg apgaisojums
- Zīm.C** 11. Lādētājs
- Zīm.F** 12. Sajūga uzstādīšanas rādītājs
13. Urbsšanas stāvokļa piktogramma
- Zīm.G** 14. Kreisās vītnes stiprināšanas skrūve

#### **TEHNISKE DATI:**

MODEL	TFV12	TFV18
Barošanas spriegums	DC 12V	DC 18V
Griešanas ātrums bez slodzes	0-700/min	
Urbjpatronas aptverespēja	∅ 0,8-10 mm	
Svars (ar akumulatoru)	1,030 kg	1,135 kg
Akustiskā spiediena līmenis (LpA)	81 dB(A)	
Akustiskās jaudas līmenis (LwA)	92 dB(A)	
Mērījumu izkliede KpA, KwA	3 dB(A)	
Vibrācijas līmenis atbilst. normai: EN 60745 (mērījumu izkliede K=1,5 m/s <sup>2</sup> )	2,19 m/s <sup>2</sup>	
<b>Akumulatora veids</b>	<b>Li-ion</b>	
Izejas spriegums	12V	18V
Akumulatora tilpums	1500mAh	



Lādētājs		
Ieejas spriegums	100-240 V	
Tīkla frekvence	50/60 Hz	
Jauda	5W	8W
Izņemšanas strāva (DC)	15V/ 0,33A	21,5V/ 0,37A
Lādēšanas laiks	3-5 h	

Uzrādītais vibrācijas līmenis ir reprezentatīvs elektroinstrumenta pamata lietošanai. Ja elektroinstrumenti tiek lietoti citos nolūkos vai ar citiem darba instrumentiem, vai arī ja nebūs pietiekami konservēti, vibrācijas līmenis var atšķirties no uzrādītā. Augstāk uzrādītie iemesli var radīt vibrācijas ekspozīcijas palielināšanos visā darba laikā.

Nepieciešams realizēt papildus drošības līdzekļus, kuri pasargās operatoru no vibrācijas ekspozīcijas, piem.: Elektroinstrumenta un darba instrumenta konservācija, atbilstošas roku temperatūras nodrošināšana, darba operāciju veikšanas secības noteikšana.

### SAGATAVOŠANA DARBAM:

#### ■ Akumulatoru lādēšana

Skrūvgrīzies tiek piegādāts ar daļēji uzlādētu akumulatoru. Pirms lietošanas akumulatoru nepieciešams pilnībā uzlādēt. Pirmo lādēšanu ieteicams veikt 5 stundas.

1. Nospiežot akumulatora bloķēšanu (8) un izņemot akumulatoru (7) no skrūvgrīža-urbjmašīnas (skat. zīm. B).
2. Pievienot akumulatoru (7) pie transformatora (11) (skat. zīm. C).
3. Pievienot lādētāja kontaktdakšīnu 100-240V, 50/60Hz tīkla ligzdā.

#### ■ Baterijas lādēšanas signalizācija

Degošā akumulatora sarkanā diode informē, ka notiek lādēšana. Kad baterija būs pilnībā uzlādēta sarkanā diode nodzisis un iedegies zaļā diode.

Lādēšanas gaitā automātiski samazinās lādēšanas strāva. Pēc apm. 3 stundām lādēšanas strāva stabilizējas uz minimālā līmeņa (uzturošā lādēšana), kas novērš akumulatora pārlādēšanu un sabojāšanos.

#### Pēc lādēšanas beigām atvienot lādētāju no tīkla un izņemt akumulatoru.

Litija-jonu akumulatoru var lādēt jebkurā brīdī, tādā veidā netiek saīsināta tā ilgmūžība. Lādēšanas procesa pārtraukšana nerada akumulatora elementu bojājuma risku.

### DARBA LAIKĀ:

#### ■ Ieslēgšana/izslēgšana

Slēdzim (9) ir bezpakāpju apgrīzietu ātruma regulēšana.

Lai ieslēgtu elektroinstrumentu nepieciešams nospiegt slēdzi. Apgrīzietu ātrums palielināsies jo dziļāk iespiež slēdzi. Lai izslēgtu elektroinstrumentu nepieciešams slēdzi atbrīvot.

#### ■ Akumulatora ietilpības rādītājs

Akumulatora ietilpības rādītājs (3) signalizē baterijas izlādēšanās pakāpi ar divām krāsainām LED diodēm.

#### Degzaļā LED diode:

Akumulators ir pilnībā uzlādēts.

#### Degzaļā un sarkanā LED diode:

Akumulators ir pietiekami uzlādēts.

#### Degtikai sarkanā LED diode:

Akumulators ir izlādējies, nepieciešams to uzlādēt.

#### ■ Apgrīzietu virziena maiņa (zīm. E)

Skrūvgrīzīm ir darba iespēja ar apgrīzietiem pulksteņa rādītāja kustības virzienā (labie apgrīzietiem) vai pretēji pulksteņa rādītāja kustības virzienam (kreisie apgrīzietiem):

- lai uzstādītu labos apgrīzietus, nepieciešams pārbīdīt kreiso/labo (4) apgrīzietu maiņas slēdzi pa kreisi (skatoties no skrūvgrīža aiz mugures),

- lai uzstādītu kreisos apgrīzietus, nepieciešams pārbīdīt kreiso / labo (4) apgrīzietu maiņas slēdzi pa labi (skatoties no skrūvgrīža aiz mugures).

Kad apgrīzietu maiņas slēdzis atrodas vidus stāvoklī - slēdzis ir bloķēts.

Urbšanai un skrūvju ieskrūvēšanai nepieciešams uzstādīt labos apgrīzietus. Urbja izvadīšanai, iekļēta urbja izņemšanai un skrūvju izskrūvēšanai nepieciešams uzstādīt kreisos apgrīzietus.

#### ■ Griezes momenta izvēle (zīm. F)

Urbjmašīna aprīkota ar gredzenu (2), kurš kalpo griezes momenta uzstādīšanai ieskrūvējot skrūves. Uz gredzena ir apzīmētas 22 pozīcijas, no 1 līdz 21 kā arī urbšanas pozīcija.

Uzstādot gredzena izvēlēto stāvokli (no 1 - 21) notiek pastāvīga sajūga uzstādīšana uz noteiktu griezes momenta vērtību. Tas dod iespēju nodrošināties pret skrūves pārāk dziļu ieskrūvēšanu vai skrūves sabojāšanu. Dažādām skrūvēm un dažādiem materiāliem lieto dažādus ieskrūvēšanas momentus.

Vienmēr nepieciešams sākt ar mazu momenta vērtību un to pakāpeniski palielināt, līdz sasniedzam vēlamo rezultātu.

Lai urbtu metālā, kokā un plastmasā nepieciešams uzstādīt gredzenu (2) tā, lai atzīme (12) sakristu ar simbolu (13).

#### ■ Patronas maiņa (zīm. G)

1. Atvienot akumulatoru (7) no skrūvgrīža.
2. Patronu maksimāli atvērt (1).
3. Ar skrūvgrīzi PH 2 (Philips Nr 2) pulksteņa rādītāja kustības virzienā atskrūvēt patronas stiprināšanas skrūvi (14) **(UZMANĪBU! Kreisā vītne)**.
4. Turot patronas apakšējo gredzenu (tuvāko skrūvgrīža korpusam) un atskrūvēt urbmašīnas-skrūvgrīža patronu pretēji pulksteņa rādītāja kustības virzienam (skatoties no patronas puses).  
**UZMANĪBU: Iekļētu bez atslēgas urbmašīnas patronu (1) var atbrīvot nostiprinot īsāko gala atslēgas galu patronā un viegli iesitot pa atslēgas garāko daļu (skat. zīm. D).**

5. Lai uzstādītu patronu to nepieciešams uzskrūvēt uz vārpstu pulksteņa rādītāja kustības virzienā (skatoties no patronas puses) un nofiksēt ar stiprināšanas skrūvi, pieskrūvējot to ar skrūvgrīzi PH 2 (Philips Nr 2) pretēji pulksteņa rādītāja kustības virzienam. Lai patrona negrieztos stiprināšanas skrūves ieskrūvēšanas laikā patronu nepieciešams turēt aiz apakšējā gredzena (tuvākais urbmašīnas-skrūvgrīža korpusam).

#### ■ Papildus elementi

- Praktiska skava (6) paredzēta priekš skrūvgrīža-urbjmašīnas piekāršanas pie lietotāja jostas labās kā arī kreisās rokas pusē.
- Urbjmašīna-skrūvgrīzis ir aprīkota ar urbšanas/skrūvēšanas vietas palīg apgaismojumu (10), kurš ieslēdzas nospiežot slēdzi (9).

#### ■ Darba instrumentu maiņa

**UZMANĪBU:** Atvienot akumulatoru no skrūvgrīža vai apgrīzietu virziena maiņas slēdzi (4) novietot vidus stāvoklī, lai nodrošinātos pret

negaidītu mašīnas ieslēgšanos, kas varētu ievainot operatoru.

Pie atbrīvota slēdža (9) notiek urbja mašīnas vārpstas bloķēšanās. Tas dod iespēju urbja mašīnas patronā ātri, ērti un viegli apmainīt darba instrumentu. Lai no patronas izņemtu urbi (vai daba uzgali) nepieciešams pagriezt patronas gredzenu pa kreisi, lai palielinātu patronas caurumu. Lai patronā uzstādītu urbi (vai darba instrumentu) nepieciešams pagriezt patronas gredzenu pa labi, lai panāktu urbja spasiēšanu patronā.

Urbi (vai cita tipa darba uzgali) nepieciešams ielikt patronā līdz atdurei.

#### ■ Caurumu urbšana

1. Veicot dziļus urbumus nepieciešams urbt pakāpeniski, mazā dziļumā izvadīt urbi, lai skaidām būtu iespēja izkļūt no cauruma.
2. Liela diametra caurumu urbšanu ieteicams sākt ar mazāka diametra urbi, pēc tam to urbt uz nepieciešamo izmēru. Tas novērsīs iespējamo urbja mašīnas pārslodzi.
3. Ja urbšanas laikā notiek urbja iekļīšanās, nekavējoties nepieciešams izslēgt urbja mašīnu, lai nepieļaut tās sabojāšanos. Lietojot apgrīzietu maiņu nepieciešams izvadīt urbi no cauruma.
4. Urbja mašīnu nepieciešams turēt urbtā cauruma asi. Urbim jāatrodas taisnā līnijā attiecībā pret apstrādājamo materiālu. Gadījumā, ja darba laikā nav saglabāts taisnais līnijas caurumā var notikt urbja iekļīšanās vai salaušana, un gala rezultātā ievainots operators. Vārpstas apgrīzietu ātruma regulāciju veic ar attiecīgu spiedienu spēku uz slēdzi.

#### ■ Skrūvju ieskrūvēšana

Vispirms ieteicams veikt pilotējošo urbumu, nedaudz dziļāk par skrūves garumu un nedaudz mazāku par tās ārējās vītnes diametru. Gadījumā, ja skrūve atrodas materiāla malas tuvumā, pilotējošā cauruma izveidošana novērsīs iespēju materiālam atlauzties. Ja skrūves ieskrūvēšana ir apgrūtināta, tad nepieciešams skrūvi izskrūvēt un palielināt pilotējošo caurumu.

Ja ieskrūvēšana notiek ar grūtībām (kas var būt cieta koka gadījumā) nepieciešams pameģināt lietot smērējošo līdzekli (piem. šķidrās ziepes). Nepieciešams pielikt attiecīgu spiedienu uz skrūvjgriežēju, lai nepieļautu skrūvjgrieža uzgaļa pagriešanos attiecībā pret skrūves galviņu. Lietot uzgali precīzi pielāgotus skrūves galvai. Sabojāta skrūves galviņas ligzda var apgrūtināt skrūves ieskrūvēšanu vai izskrūvēšanu.

#### GLABĀŠANA UN KONSERVĀCIJA:

Instruments principā nav nepieciešama speciāla konservācija. Mašīnu nepieciešams glabāt bērniem nepieejamās vietās, uzturēt tīrā stāvoklī, sargāt no mitruma un putekļiem. Glabāšanas apstākļiem jāizslēdz mehānisko bojājumu iespēju kā arī kaitīgo atmosfēras apstākļu iedarbību.

**UZMANĪBU:** Vienmēr pirms tīrīšanas un konservācijas sākuma nepieciešams atslēgt akumulatoru no skrūvjgriežēja un izvilkt lādētājs kontaktdakšīņu no barošanas ligzdas.

Lādētāju nepieciešams tīrīt lietojot tikai sausu drānu.

Skrūvjgriežēja ventilācijas atveres nepieciešams periodiski tīrīt ar sausu birstīti un drānu. Periodiski nepieciešams noņemt patronu un izbērt no tā putekļus un citus netīrumus.

Skrūvjgriežēja korpusu periodiski tīrīt ar mitru drānu un ziepēm, lai noņemtu putekļus un citus netīrumus. Nelietot nekādus tīrīšanas līdzekļus vai šķīdinātājus, tie var sabojāt no plastmasas izgatavotas ierīces daļas. Nepieciešams uzmanīties, lai ierīces iekšpusē neieklātu ūdens. Pēc tīrīšanas pagaidīt līdz skrūvjgriežējs pilnīgi izžūst.

#### TRANSPORTS:

Urbja mašīna-skrūvjgriežis transportēt un glabāt transportēšanas koferī, kurš sargā pret mitrumu, putekļiem un smalkiem elementiem, īpaši nepieciešams nodrošināt ventilācijas atveres. Smalkie elementi, kuri iekļūst korpusa iekšienē var sabojāt dzinēju.

#### APKĀRTĒJĀS VIDES AIZSARDZĪBA:



**UZMANĪBU:** Uzrādītais simbols nozīmē, ka aizliegts novietot nolietoto ierīci kopā ar citiem atkritumiem (iespējams naudas sods). Bīstamās sastāvdaļas, kuras atrodas elektriskās ierīcēs negatīvi ietekmē uz apkārtējo vidi un cilvēku veselību.

Mājsaimniecībām jāņem dalība nolietoto ierīču atgūšanā un atkārtotā izlietošanā (reciklīgā). Polijā un Eiropā tiek radīta vai jau pastāv nolietoto ierīču savākšanas sistēma, kura ietvaros visiem augstāk minēto ierīču pārdošanas punktiem ir pienākums pieņemt nolietotās ierīces. Bez tam pastāv augstāk minēto ierīču savākšanas punkti.

#### PIKTOGRAMMAS:

Apzīmējumu skaidrojums, kuri atrodas uz plāksnītes un informācijas uzlīmēm.



— «Pirms ieslēgšanas un darba sākuma nepieciešams iepazīties ar šo instrukciju.»



— «Vienmēr lietot aizsargbrilles.»



— «Lietot dzirdes aizsardzības līdzekļus.»

#### RAŽOTĀJS:

Profix SIA;  
Maryvilka iela 34,  
03-228 Varšava, Polija

Ši ierīce ir saskaņā ar valsts un Eiropas normām, ka arī drošības prasībām. Visāda veida remontus veic kvalificēt personāls, lietojot oriģinālas rezerves daļas.

**POTENCIĀLĀS PROBLĒMAS UN TO ATRISINĀŠANAS VEIDI:**

PROBLĒMA	IESPĒJAMĀIS IEMESLS	RISINĀJUMS
Skrūvgriezis- urbjmašīna nedarbojas.	Nav barošanas, bojāts dzinējs vai slēdzis.	Pārbaudīt baterijas stāvokli, nepieciešamības gadījumā uzlādēt vai apmainīt pret jaunu. Ja elektroinstruments joprojām nedarbojas, nepieciešams to nosūtīt remonta servisā uz garantijas kartē uzrādīto adresi.
Dzinēja darbības traucējumi.	Izlādēta baterija.	Īncārcaṭi baterija.
	Nolietotas oglišu sukas.	Schimbaṭi periile de cārbune ģntr-un service.



Firmas PROFIX politika ir nepārtraukta savu produktu pilnveidošanas politika, tāpēc firma sev rezervē tiesības ievest izstrādājuma specifikācijas izmaiņas bez iepriekšējas paziņošanas. Zīmējumi, kuri uzrādīti apkalpošanas instrukcijā kalpo tikai kā piemērs un var nedaudz atšķirties no iegādātās ierīces reālā izskata.

Šī instrukcija ir sargāta ar autortiesībām. Aizliegts to kopēt/pavairot bez PROFIX SIA rakstiskas atļaujas.



**PŘED ZAHÁJENÍM POUŽÍVÁNÍ SE SEZNAMTE S TÍMTO NÁVODEM.**

Uchovávejte návod pro případné další použití.



**POZOR!** Přečtěte si všechny výstrahy týkající se bezpečnosti používání označené symbolem ⚠ a veškeré pokyny týkající se bezpečnosti používání.

Nedodržování uvedených bezpečnostních výstrah a bezpečnostních pokynů může být příčinou zásahu elektrickým proudem, požáru a/nebo závažných úrazů.

Uchovejte výstrahy a pokyny týkající se bezpečnosti pro případné použití v budoucnosti.

V níže uváděných výstrahách pojem „elektronářadí“ znamená elektronářadí napájené z elektrické sítě (elektrickým vodičem) nebo elektronářadí napájené baterii (bezdrátové).



**VÝSTRAHA!** Všeobecné výstrahy týkající se bezpečného používání nářadí.

**Bezpečnost na pracovišti:**

- Udržujte na pracovišti pořádek a zajistěte zde dobré osvětlení. Nepořádek a špatné osvětlení často zapříčiňují nehody.
- Nepoužívejte elektronářadí ve výbušném prostředí tvořeném hořlavými tekutinami, plyny nebo prachem. Elektronářadí vytváří jiskry, které by mohly zapálit prach nebo výparu.
- Nepouštějte děti ani jiné pozorovatele na místa, kde se používá elektronářadí. Rušení pozornosti může způsobit ztrátu kontroly nad elektronářadím.

**VÝSTRAHA!** Všeobecné výstrahy týkající se bezpečného používání nářadí.



**VÝSTRAHA!** Všeobecné výstrahy týkající se bezpečného používání nářadí.

**Elektrická bezpečnost:**

- Zástrčky nářadí musí odpovídat zásuvkám. Nikdy žádným způsobem nepředělávejte zástrčky. V případě elektronářadí, které má vodič s ochranným uzemněním, nepoužívejte žádné prodlužovačky. Původní nepředělané zástrčky a zásuvky snižují riziko zásahu elektrickým proudem.
- Vyvarujte se dotýkání uzemněných ploch nebo takových, které jsou spojené s hmotou, jako jsou trubky, ohřivače, radiátory ústředního topení a chladničky. V případě dotýkání takových ploch a předmětů roste riziko zásahu elektrickým proudem.
- Nevystavujte elektronářadí na působení deště nebo vlhka. Pokud by se do elektronářadí dostala voda, roste riziko zásahu elektrickým proudem.
- Kabely se nesmí žádným způsobem namáhat. Nikdy nepoužívejte kabel k nošení, tažení elektronářadí nebo k vytahování zástrčky ze zásuvky. Kabel musí být umístěný daleko od zdrojů tepla, oleje, ostrých hran nebo pohyblivých částí. Poškozené nebo propletené kabely zvyšují riziko zásahu elektrickým proudem.
- V případě, že se elektronářadí používá venku, je třeba prodlužovat elektrické kabely prodlužovači určenými na práci venku. Používání prodlužovače určeného do venkovního

prostředí snižuje riziko zásahu elektrickým proudem.

- Pokud je nezbytné použít elektronářadí ve vlhkém prostředí, je třeba použít jako ochranu proudový chránič (RCD). Použití RCD snižuje riziko zásahu elektrickým proudem.



**VÝSTRAHA!** Všeobecné výstrahy týkající se bezpečného používání nářadí.

**Osobní bezpečnost:**

- Toto zařízení nesmí používat osoby (včetně dětí) s omezenou fyzickou, smyslovou nebo psychickou schopností, nebo osoby, které nemají odpovídající zkušenosti nebo znalosti zařízení, leda že je používají s příslušným dozorem, nebo v souladu s návodem na používání zařízení, který jim předají osoby zodpovědné za jejich bezpečnost.
- Při používání elektronářadí je třeba být předvídatý, pozorovat, co se děje, a používat zdravý rozum. Nepoužívejte elektronářadí, pokud jste unavení nebo pod vlivem drog, alkoholu nebo léků. Chvilé nepozornosti při práci s elektronářadím může způsobit závažné osobní úrazy.
- Je třeba používat osobní ochranné prostředky. Je třeba vždy používat ochranné brýle. Používání v příslušných podmínkách takových ochranných prostředků, jako je protiprachová respirační maska, protiskluzová obuv, přilba nebo chrániče sluchu, snižuje nebezpečí osobních úrazů.
- Je třeba se vyhnout neplánovanému spuštění. Před připojením k elektrickému zdroji a/nebo před zapojením baterie a než se nářadí zvedne, nebo přenese, je třeba se ujistit, že je vypínač elektronářadí v poloze vypnutu. Přenášení elektronářadí s prstem na vypínači nebo připojení elektronářadí do sítě se zapojeným vypínačem může být příčinou nehody.
- Před spuštěním elektronářadí je třeba odstranit všechny klíče. Ponechání klíče v otáčející se části elektronářadí může způsobit poranění.
- Je zakázáno přilížit se naklánět. Po celou dobu musíte stát pevně a udržovat rovnováhu. Umožní Vám to dobře kontrolovat elektronářadí při nepředvídatelných situacích.
- Je třeba mít vhodné oblečení. Při práci nenoste volné oblečení ani bžuterii. Je třeba zajistit, aby Vaše vlasy, oblečení a rukavice byly v bezpečné vzdálenosti od pohyblivých částí. Volné oblečení, bžuterie nebo dlouhé vlasy se mohou zachytit do pohyblivých částí.
- Pokud je zařízení přizpůsobeno na napojení k vnějšímu odsávání prachu a pohlcovači prachu, ujistěte se, že jsou připojeny a řádně se používají. Použitím pohlcovačů prachu můžete omezit nebezpečí závislé na prašnosti.



**VÝSTRAHA!** Všeobecné výstrahy týkající se bezpečného používání nářadí.

**Používání elektronářadí a péče o ně:**

- Elektronářadí se nesmí přetěžovat. Je třeba používat elektronářadí s výkonem vhodným pro provádění určité práce. Správné elektronářadí umožní lepší a bezpečnější práci se zátěží, na kterou bylo naprojektováno.

- b) Elektronářadí, u kterých nefunguje spínač, se nesmí používat. Každé elektronářadí, které nelze zapínat nebo vypínat spínačem, je nebezpečné a je třeba je opravit.
- c) Před provedením každého seřízení, výměny součástky nebo před skladováním odpojte zástrčku elektronářadí od zdroje elektrického proudu a/nebo odpojte baterii. Takový bezpečnostní postup omezuje riziko náhodného spuštění elektronářadí.
- d) Nepoužívané elektronářadí uchovávejte mimo dosah dětí a nedovoľte přístup osobám, které nejsou obeznámené s elektronářadím nebo s tímto návodem na používání elektronářadí. Elektronářadí může být nebezpečné v rukách nevyškolených uživatelů.
- e) Elektronářadí je třeba udržovat. Je třeba kontrolovat souostřou nebo zaseknutí pohyblivých částí, praskliny součástí a veškeré další faktory, které by mohly ovlivnit činnost elektronářadí. Pokud zjistíte poškození, musíte elektronářadí před použitím opravit. Příčinou mnohých nehod je neodborná údržba elektronářadí.
- f) Řezací nástroje musí být ostré a čisté. Řádná údržba ostrých hran řezacích nástrojů snižuje pravděpodobnost zaseknutí a usnadňuje obsluhu.
- g) Elektronářadí, vybavení, pracovní nástroje apod. používejte v souladu s tímto návodem, při čemž zohledňujete pracovní podmínky a druh prováděné práce. Používání jiným způsobem, pro který není elektronářadí určeno, může způsobit nebezpečné situace.
- h) V nízkých teplotách, nebo pokud se řadí po delší dobu nepoužívá, doporučuje se zapnout elektronářadí bez zátěže po dobu několika minut za účelem řádného promazání mechanismu pohonu.
- i) K čištění elektronářadí používejte měkký, vlhký (ne mokrý) hadřík a mýdlo. Nepoužívejte benzín, rozpouštědla a další prostředky, které by mohly poškodit zařízení.
- j) Elektronářadí je třeba skladovat / dopravovat až potom, co se ujistíte, že jsou veškeré jeho pohyblivé součásti zablokované a zajištěné proti odblokování s použitím původních součástek určených k tomuto účelu.
- k) Elektronářadí skladujte na suchém místě chráněném proti prachu a průniku vlhkosti.
- l) Doprava elektronářadí by měla probíhat v původním obalu tak, aby bylo chráněné proti mechanickému použití.



**VÝSTRAHA!** Všeobecné výstrahy týkající se používání nářadí.

**Oprava:**

- a) Opravy elektronářadí je třeba objednávat výhradně u kvalifikované osoby, využívejte původní náhradní součástky. Zajistíte tím, že používání elektronářadí bude stále bezpečné.



**UPOZORNĚNÍ!** Vrtací aku šroubovák, výstrahy týkající se bezpečnosti –

**Osobní bezpečnost:**

- a) Používejte ochranu sluchu během práce s vrtacím aku šroubovákem. Vystavování se hluku může způsobit ztrátu sluchu.

- b) Během provádění prací, při kterých by mohl pracovní nástroj nebo šroub narazit na skryté elektrické vodiče, je třeba elektronářadí držet za izolované povrchy držáků. Kontakt s elektrickým vedením může způsobit přivedení napětí na kovové části nářadí, což může zapříčinit zásah elektrickým proudem.
- c) Používejte vyhledávače skrytého elektrického vedení nebo si vyžádejte pomoc správce budovy. Kontakt s elektrickým vedením pod napětím může způsobit vznik požáru a zásah elektrickým proudem. Průnik do vodovodních trubek zapříčíní vznik materiálních škod.
- d) **Nepracujte s materiálem obsahujícím azbest.** Azbest způsobuje onkologická onemocnění.
- e) **Pracovní místo je třeba udržovat čisté. Směsi materiálů jsou obzvlášť nebezpečné.** Prach z lehkého kovu se může vznítit nebo vybuchnout.
- f) **Zabezpečte obráběný předmět.** Ujistěte se, že všechny upevňovací svorky jsou stisknuté a zajistěte, aby nebyly příliš volné. Upevnění předmětu v úchytu nebo ve svěráku je bezpečnější, než držet jej v ruce.
- g) **Při práci držte stroj vždy pevně oběma rukama a zajistěte si bezpečný postoj.** Oběma rukama je elektronářadí vedeno bezpečněji.
- h) **Je třeba okamžitě vypnout elektronářadí, pokud by se používané elektronářadí vzpříčilo.** Je třeba se připravit na vysoké vibrace, které způsobují zpětný ráz. Používané nářadí se vzpříčí, pokud je přetížené nebo je v obráběném předmětu nakřivo.
- i) **Před odložením elektronářadí je třeba počkat, až se přestane otáčet.** Pracovní nástroj by se mohl zablokovat a zapříčinit ztrátu kontroly nad elektronářadím.
- j) **Elektronářadí je třeba používat výhradně s akumulátory určenými k jeho napájení.** Použití jiných akumulátorů může vzniknout nebezpečí poranění nebo požáru.



**VÝSTRAHA!** Bezpečné používání akumulátorů a nabíječek –

**Používání akumulátorů:**

- a) Je třeba používat výhradně akumulátory shodné se specifikací uvedenou výrobcem. V případě použití jiných akumulátorů může dojít k prasknutí a rozpadu akumulátoru, úrazu nebo požáru.
- b) **POZOR: V případě poškození a nesprávného používání akumulátoru může dojít k uvolňování výbušných plynů.** Akumulátor je třeba vždy udržovat v bezpečné vzdálenosti od zdroje ohně a zajistit vhodné větrání během nabíjení. *Nesmíte jej nechat po delší dobu v prostředí, ve kterém je vysoká teplota (na prosluněných místech, poblíž radiátorů nebo kdekoliv, kde je teplota vyšší než 40 stupňů).*
- c) Nabíjení akumulátoru by mělo probíhat v rozsahu teplot 15-25 °C.
- d) Nabíjet je třeba výhradně nabíječkou doporučenou výrobcem. Použití nabíječky určené k nabíjení akumulátorů jiného druhu vytváří riziko vzniku požáru.
- e) Nevystavujte akumulátor na působení vody a vlhkosti.
- f) Pokud chcete nabíjet postupně více než jeden akumulátor, udělejte 30 minutovou přestávku mezi nabíjením.
- g) V žádném případě akumulátor neotevírejte.
- h) V nevhodných podmínkách může z akumulátoru unikat

kapalina; zabráňte kontaktu s kapalinou. Pokud dojde náhodně ke styku uživatele s tekutinou, místo kontaktu je třeba umýt vodou. Pokud se kapalina dostane do očí, je třeba navíc hledat lékařskou pomoc. Tekutina, která se dostává z akumulátoru, může způsobit podráždění nebo popálení.

i) **Vdobě, kdy se akumulátor nepoužívá, je třeba jej uchovávat v bezpečné vzdálenosti od takových kovových předmětů, jako jsou sponky na papír, mince, klíče, hřebíky, šrouby, nebo jiné malé kovové předměty, které by mohly způsobit zkrat akumulátoru.** Zkrat akumulátoru může způsobit úraz nebo požár.

j) **Nevyhazujte akumulátor do ohně.**

k) **Je zakázáno používat poškozený akumulátor.**



Akumulátory jsou určeny k opakovanému nabíjení, obsahují zdraví škodlivé Li-ion.

Po ukončení doby životnosti je třeba je likvidovat v souladu s předpisy o ochraně životního prostředí.

Za tímto účelem zcela vybijte akumulátor, vytáhněte jej z elektronářadí, předejte do místa likvidace akumulátorů nebo odevzdejte do prodejny, ve které jste provedli nákup.

#### Používání nabíječky:

a) **Nabíjejte výhradně nabíječkou doporučenou výrobcem.**

Použití nabíječky určené k nabíjení akumulátorů jiného typu vytváří riziko vzniku požáru.

b) **Je zakázáno nabíječku rozšroubovat.**

c) **Nabíječka je určená výhradně na práci uvnitř místnosti.** Je zakázáno ji vystavovat na působení vody a vlhka.

d) **Nabíjejte pouze v rozsahu teplot 15-25 stupňů.**

e) **Je zakázáno vkládat jakékoliv kovové předměty do nabíječky.**

#### **URČENÍ A KONSTRUKCE ŠROUBOVÁKŮ:**

Vrtací aku šroubovák je určený ke šroubování a odšroubování vrutů, vrtání otvorů do takových materiálů, jako je ocel, dřevo, umělá hmota, apod.

Vrtací aku šroubovák je určený výhradně k hobby použití. **Je zakázáno využívat toto nářadí na provádění prací vyžadujících profesionální nářadí.**

Každé použití zařízení jinak, než to vyplývá z jeho výše uvedeného určení, je zakázáno, způsobuje ztrátu záruky a osvobozuje výrobce od odpovědnosti za takto způsobené škody.

Jakékoliv úpravy zařízení prováděné uživatelem osvobozuje výrobce od odpovědnosti za poškození a škody způsobené uživateli a okolí.

Správné používání elektronářadí se týká také údržby, skladování, dopravy a oprav.

Elektronářadí mohou opravovat pouze servisní opravny určené výrobcem. Zařízení, které je napájeno ze sítě, by měly opravovat pouze osoby, které jsou k tomuto oprávněny.

I při používání nářadí v souladu s jeho určením nelze zcela eliminovat určité rizikové faktory. Vzhledem ke konstrukci a stavbě stroje se mohou vyskytnout následující ohrožení:

- dotek rotujícího vrtáku během práce rukou nebo oblečení obsluhy;
- spálení při výměně vrtáku. (Během práce se vrták silně zahřívá, abyste se při jeho výměně chránili před popálením, používejte ochranné rukavice);
- odhození obráběné věci nebo její části;
- zkrivení/zlomení vrtáku.

#### ■ **Komplektace:**

- Vrtací aku šroubovák - 1 ks.
- Akumulátor - 1 ks.
- Nabíječka - 1 ks.
- Sada pracovních nástrojů:
  - magnetická koncovka na bity s držákem 1/4"-1 ks.
  - bity - 6 ks. (PH1, PH2, PZ1, PZ2, SL5, SL6)
  - vrtáky - 6 ks. (1,5; 2,5; 3; 4; 5; 6mm)
- Přepravení kufr - 1 ks.
- Záruční list - 1 ks.
- Návod na obsluhu - 1 ks.

#### ■ **Součásti zařízení**

Číslování součástí zařízení se vztahuje ke grafickému záznamění umístěnému na stránce 2 návodu na obsluhu:

- Obr. A**
1. Rychloupínací skličídlo
  2. Knoflík regulování spojky
  3. Ukazatel kapacity baterie
  4. Přepínač směru otáček
  5. Držák
  6. Spona pro zavěšení na opasku
  7. Akumulátor
  8. Západka blokády akumulátoru
  9. Vypínač
  10. Pomocné osvětlení

**Obr. C** 11. Nabíječka

**Obr. F** 12. Ukazatel nastavení spojky

13. Piktogram polohy vrtání

**Obr. G** 14. Upevňující šroub levotočivý

#### **TECHNICKÉ ÚDAJE:**

MODEL	TFV12	TFV18
Napětí přívodu napájení	DC 12V	DC 18V
Rychlost otáček bez zátěže	0-700/min	
Rozsah upnutí vrtacího skličídla	ø 0,8-10 mm	
Hmotnost (s akumulátorem)	1,030 kg	1,135 kg
Hladina akustického tlaku (LpA)	81 dB(A)	
Hladina akustického výkonu (LwA)	92 dB(A)	
Tolerance měření KpA, KwA	3 dB(A)	
Úroveň vibrací podle normy: EN 60745 (tolerance měření K=1,5 m/s <sup>2</sup> )	2,19 m/s <sup>2</sup>	
<b>Typ akumulátoru</b>	<b>Li-ion</b>	
Jmenovité napětí	12V	18V
Kapacita akumulátoru	1500mAh	
<b>Nabíječka</b>		
Napětí vstupní	100-240 V	
Frekvence sítě	50/60 Hz	
Odebíraný výkon	5W	8W
Výstupní proud (DC)	15V/ 0,33A	21,5V/ 0,37A
Doba nabíjení	3-5 h	

Uvedená úroveň vibrací platí pro základní použití elektronářadí. Pokud by bylo elektronářadí použito jinak nebo s jinými pracovními nástroji, a také pokud nebude prováděna dostatečná údržba, úroveň vibrací se může lišit od uvedené. Výše uvedené důvody mohou způsobit zvýšení vystavení vibracím během celé doby práce.

Je třeba uplatnit další bezpečnostní prostředky, jejichž účelem je ochrana obsluhy pily proti důsledkům vystavení vibracím, např.: údržbu elektronářadí a pracovních nástrojů, zajištění vhodné teploty rukou, určení pořadí pracovních úkonů.

### PŘED ZAČÁTKEM PRÁCE:

#### ■ Nabíjení akumulátoru:

Vrtací aku šroubovák se dodává s částečně nabitým akumulátorem. Před použitím je třeba akumulátor zcela nabít. Pro první nabíjení se doporučuje nabíjení po dobu minimálně 5 hodin.

1. Stlačte tlačítko blokování baterie (8) a vyjměte akumulátor (7) z akušroubováku s vrtačkou (viz obr. B).
2. Zapojte akumulátor (7) do nabíječky (11) (viz obr. C).
3. Zapojte zástrčku nabíječky do síťové zásuvky 100-240V, 50/60Hz.

#### ■ Kontrolka nabíjení akumulátoru:

Svítilík **červená** kontrolka baterie informuje, že nabíjení probíhá. Když bude baterie zcela nabitá, červená kontrolka zahasne a začne svítit **zelená**.

Během nabíjení dochází k postupnému poklesu proud nabíjení. Po cca 3 hodinách se proud nabíjení stabilizuje na minimální úrovni (udržovací nabíjení), což brání příliš velkému nabití a poškození baterie.

**Po ukončení nabíjení, odpojte nabíječku ze sítě a vyjměte akumulátor.**

Akumulátor Li-ion lze bez zkrácení životnosti kdykoli nabít. Přerušení procesu nabíjení nepoškozuje akumulátor.

### BĚHEM PRÁCE:

#### ■ Vypínání/zapínání

Nainstalovaný vypínač (9) má plynulou regulaci otáčecí rychlosti.

Pro vypnutí elektronářadí stlačte vypínač. Rychlost otáček se bude zvyšovat tím více, čím více stlačíte tlačítko. Pro zastavení elektronářadí je třeba pustit vypínač.

#### ■ Ukazatel kapacity baterie

Ukazatel kapacity baterie (3) hlásí stav vybití baterie s použitím dvou barevných LED kontrolkek.

#### **Svítilí zelená LED kontrolka:**

Baterie je zcela nabitá.

#### **Svítilí zelená i červená LED kontrolka:**

Baterie je dostatečně nabitá.

#### **Svítilí pouze červená LED kontrolka:**

Baterie je vybitá, je třeba ji nabít.

#### ■ Volba směru otáček (obr. E):

Šroubovák má možnost pracovat s otáčkami šroubování v souladu s pohybem hodinových ručiček (pravé otáčky) nebo v protisměru pohybu hodinových ručiček (levé otáčky):

- pro nastavení pravých otáček je třeba posunout přepínač levých/pravých otáček (4) doleva (z pohledu zezadu šroubováku);
- pro nastavení levých otáček je třeba posunout přepínač levých/pravých otáček (4) doprava (z pohledu zezadu šroubováku).

Když je přepínač směru otáček ve střední poloze, je zablokovaný.

Kvrtání a šroubování vrutů nastavte pravé otáčky. Při vytahování vrtačky, vytahování vzpříčeného vrtáku a vyšroubování vrutů je třeba nastavit levé otáčky.

#### ■ Volba kroutícího momentu (obr. F):

Vrtací aku šroubovák je vybavený kroužkem (2), který slouží k nastavení kroutícího momentu při šroubování vrutů. Na kroužku je označených 22 polohy, od 1 do 21, a poloha vrtání.

Nastavení ve zvolené poloze (od 1 - 21) způsobuje trvalé nastavení spojky na určitou velikost kroutícího momentu. Umožňuje to chránit se před zašroubováním vrutu příliš hluboko nebo poškozením vrutu. Pro různé vruty a různé materiály se používají různé velikosti kroutícího momentu.

Je třeba začít s malým momentem a postupně jej zvětšovat, až po dosažení uspokojivého výsledku.

Pro vrtání v kovu, dřevu a umělé hmotě je třeba nastavit kroužek (2) tak, aby se značka (12) překryla se symbolem (13).

#### ■ Výměna sklíďidla (obr. G):

1. Odpojit akumulátor (7) od vrtačky.
2. Maximálně otevřete sklíďidlo (1).
3. Odšroubujte vrtákem PH 2 (Philips č. 2) ve směru pohybu hodinových ručiček šroub (14) upevňující držák (POZOR! Levý závit). Zaseknutý šroub lze uvolnit lehkým poklepem do jeho hlavy.
4. Přidržte dolní kroužek sklíďidla (bližší tělu šroubováku) a odšroubujte sklíďidlo vrtacího aku šroubováku v protisměru pohybu hodinových ručiček (při pohledu ze strany držáku).  
**POZOR:** Vzpříčený rychloupínací držák vrtačky (1) lze uvolnit tak, že upevníme kratší stranu v držáku imbusového klíče a lehce klepneme do dlouhého ramene klíče (viz obr. D).
5. Pro nasazení sklíďidla je třeba jej našroubovat na vřetenou v souladu s pohybem hodinových ručiček (z pohledu ze strany držáku) a zajistit upevňující šroub dotažením šroubovákem PH 2 (Philips č. 2) v protisměru pohybu hodinových ručiček. Aby se sklíďidlo neotáčelo během utahování upevňovacího šroubu, je třeba je přidržet za dolní kroužek (bližší k tělu šroubováku).

#### ■ Další příslušenství:

- Praktická spona (6) je určena k zavěšení akušroubováku s vrtačkou na opasku uživatele, jak pro praváky, tak pro leváky.
- Vrtací šroubovák je vybavený pomocným osvětlením (10) místa vrtání /šroubování, které se zapíná stlačením vypínače (9).

#### ■ Výměna pracovních nástrojů

**POZOR:** Odpojte akumulátor od vrtačky nebo umístí přepínač směru otáček (4) do střední polohy pro zajištění proti náhodnému zapnutí stroje, které by mohlo způsobit zranění obsluhy.

Při povoleném tlačítku zapínání (9) je vřetenou vrtačky zablokováno. Umožňuje to rychlou, pohodlnou a snadnou výměnu pracovního nástroje ve sklíďidle. Pro vytáhnutí vrtáku (nebo pracovní koncovky) z držáku je třeba otáčet kroužkem sklíďidla doleva, za účelem zvětšení otvoru ve sklíďidle. Pro upevnění vrtáku (nebo pracovní koncovky) ve sklíďidle je třeba otáčet kroužkem doprava, aby byl vrták řádně uchycen ve sklíďidle.

Vrták (nebo jinou pracovní koncovku) je třeba vkládat do sklíďidla až nadoraz.

#### ■ Vrtání otvorů

1. Při provádění hlubokých otvorů je třeba vrtat postupně, do menší



hloubky, vracet vrták zpět z otvoru pro umožnění odstranění pilin z otvoru.

2. Při vrtání otvoru s velkým průměrem se doporučuje začít vylvrtáním menšího otvoru a později jej rozvrtat na požadovaný rozměr. Zabrání to nebezpečí přetížení.
3. Pokud dojde ke vzpříčení vrtáku během vrtání, je třeba okamžitě vypnout vrták, abyste nepřípusili jeho poškození. Využijte změnu otáček a vytáhněte vrták z otvoru.
4. Je třeba držet vrtací šroubovák v ose prováděného otvoru. Vrták by měl být nastavený pravouhle vůči povrchu obráběného materiálu. Pokud byste nedrželi pravý úhel při práci, může dojít ke vzpříčení nebo ke zlomení vrtáku v otvoru a v krajním případě i ke zranění uživatele.

Seřízení rychlosti otáček vřetena probíhá podle síly použité na pítlačení vypínače.

### ■ Šroubování vrutů

Doporučuje se vylvrtání nejdříve pilotního otvoru, něco hlubšího než je délka vrutu a s o něco menším průměrem, než je vnější průměr závitu vrutu. V případě, že se vrut najde poblíž hrany materiálu, brání provedení pilotního otvoru nežádoucímu odprýsknutí materiálu.

Pokud při šroubování nastanou potíže se zahlubováním vrutu, je třeba jej vyšroubovat a trochu zvětšit pilotní otvor.

Pokud i nadále budou při šroubování problémy (což by se mohlo stát v případě tvrdých druhů dřeva) je třeba použít mazivo (např. tekuté mýdlo). Při vrtání musíte na vrtačku vyvíjet tlak tak, aby nedošlo k otáčení koncovky vrtáku mimo drážky v hlavě vrutu. Používejte koncovky, které přesně sedí na hlavu vrutu. Poškození drážky by mohlo znemožnit zašroubování vrutu.

### SKLADOVÁNÍ A ÚDRŽBA:

Elektronářadí v podstatě nevyžaduje zvláštní údržbářské zásady. Vrtací šroubovák je třeba uchovávat na dětem nedostupném místě, udržovat čistý, chránit proti vlhku a prachu. Podmínky skladování by měly vyloučit možnost mechanických poškození a vliv škodlivých atmosférických podmínek.

**POZOR:** Vždy před zahájením čistících a údržbářských činností je třeba odpojit akumulátor od šroubováku a vytáhnout zástrčku nabíječky ze zásuvky.

Nabíječku je třeba čistit pouze s použitím suchého hadříku.

Nezbytné je pravidelné čištění větracích otvorů suchým kartáčkem nebo hadříkem. Pravidelné také odmontujte skličidlo a vysypte zevnitř prach a jiné nečistoty.

Kryt pravidelně čistěte vlhkým hadříkem s malým množstvím mýdla, abyste odstranili prach a jiné nečistoty. Nepoužívejte žádné čisticí

prostředky ani rozpouštědla; mohly by poškodit části zařízení vyrobené z umělé hmoty. Dávejte pozor, aby se dovnitř zařízení nedostala voda. Po vyčištění počekejte, až vrtačka zcela uschne.

### DOPRAVA:

Elektronářadí dopravujte a skladujte v transportním kuffíku, který chrání před vlhkem, prachem a drobnými objekty, zvláště je třeba zabezpečit ventilační otvory. Drobné části, které proniknou dovnitř krytu, můžou poškodit motor.

### OCHRANA ŽIVOTNÍHO PROSTŘEDÍ:



**POZOR:** Zobrazený symbol znamená zákaz likvidace zařízení dohromady s jinými odpady (na porušení zákazu se vztahuje pokuta). Nebezpečné složky, které se nacházejí v elektrickém a elektrotechnickém vybavení mají negativní vliv na životní prostředí a lidské zdraví.

Domácnosti by se měly zapojit do získávání zpět a opětovného využívání (recyklace) starých elektrospotřebičů. V Polsku a v Evropě se tvoří nebo už existuje systém sběru elektroodpadu, v rámci kterého mají všechna prodejní místa elektrospotřebičů povinnost přijímat elektroodpad. Kromě toho existují sběrná místa pro elektroodpad.

### PIKTOGRAMY:

Vysvětlení ikon umístěných na firemním štítku a na informačních nálepkách na zařízení:



– «Před spuštěním zařízení si přečtěte návod na obsluhu.»



– «Vždy používejte ochranné brýle»



– «Používejte prostředky na ochranu sluchu»

### VÝROBCE:

PROFIX Sp. z o.o.;

ul. Marywilska 34,

03-228 Warszawa, Polsko

Toto zařízení vyhovuje vnitrostátním i evropským normám a bezpečnostním požadavkům.

Veškeré opravy musí provádět kvalifikovaní odborníci, s použitím původních náhradních dílů.

### TYPICKÉ ZÁVADY A JEJICH ODSTRANĚNÍ:

PROBLÉM	MOŽNÁ PŘÍČINA	ŘEŠENÍ PROBLÉMU
Vrtací šroubovák nefunguje.	Chybí napájení, je poškozen motor nebo vypínač.	Zkontrolujte stav akumulátoru, v případě potřeby jej nabijte nebo vyměňte na nový. Pokud elektronářadí nefunguje, třeba je odeslat do servisní opravy na adresu uvedenou v záručním listu.
Poruchy při práci motoru.	Vybitý akumulátor.	Nabijte akumulátor.
	Opotřebované uhlíkové kartáče.	Vyměňte uhlíkové kartáče v servisní opravě.



Politika firmy PROFIX je politikou průběžného zdokonalování výrobků, z toho důvodu si firma vyhrazuje právo změnit specifikaci výrobku bez předchozího informování. Obrázky, uvedené v návodu na obsluhu, jsou pouze příklady a mohou se lišit od skutečného vzhledu zakoupeného zařízení.


Tento návod je chráněný autorským zákonem. Jeho kopírování / rozmnožování bez písemného souhlasu společnosti PROFIX s.r.o. je zakázané.



### HASZNÁLAT ELŐTT OLVASSA EL EZEKET AZ UTASÍTÁSOKAT!

Tartsa meg ezt az útmutatót későbbi tájékozódás céljából!



**FIGYELEM!** Olvassa el a  szimbólummal jelzett, a munkavédelemmel kapcsolatos összes figyelmeztetést és a biztonságos használatra vonatkozó összes utasítást!

A következő biztonsági előírások be nem tartása miatt baleset, áramütés, tűzveszély és/vagy komoly sérülés fordulhat elő

**Őrizze meg az összes munkavédelmi figyelmeztetést és utasítást későbbi felhasználás céljából!**

Az alábbi figyelmeztetések során használt „elektromos szerszám” kifejezés olyan szerszámot jelöl, melynek áramellátása hálózatról (tápkábellel) vagy akkumulátorral (kábel nélkül) történik.



**FIGYELEM!** Általános munkavédelmi szabályok:  
**Munkahelyi biztonság:**

- Tartsa tisztán a munkaterületét és ügyeljen a jó megvilágításra! A munkaterületén uralkodó rendtelenség balesetekhez vezethet.
- Ne dolgozzon elektromos szerszámmal robbanásveszélyes környezetben, gyulladásveszélyes folyadékok, gázok vagy folyadékok közelében. Az elektromos szerszámok használata során szikra keletkezhet, mely belobbanhatja a port és a gőzöket.
- Tartsa távol a gyermekeket attól a helytől, ahol használja az elektromos szerszámot. A figyelemterelés miatt elveszítheti kontrollját az elektromos szerszám felett.



**FIGYELEM!** A szerszám biztonságos használatával kapcsolatos általános szabályok:

#### **Elektromos biztonság:**

- Az elektromos szerszám csatlakozó dugója meg kell feleljen az aljzattal. Tilos a csatlakozó dugó módosítása! Tilos hosszabbítók használata a védőföldelés kábelrel ellátott elektromos szerszámok esetében! A csatlakozó dugók és aljzatok módosítása növeli az áramütés kockázatát!
- Kerülje a testi érintkezést a földelt felületekkel vagy tárgyakkal, mint a csövek, fűtőtestek, fűtőradiátorok vagy hűtőszekrények! A földelt részekkel való érintkezés esetén nő az áramütés kockázata!
- Ne tegye ki esőnek vagy nedves környezetnek az elektromos szerszámot! Víz behatolása esetén nő az áramütés kockázata!
- Ne erőltesse a csatlakozó kábel! Ne használja a hálózati kábelt a szerszám mozgatására, húzására vagy a csatlakozó dugó aljzattól történő kihúzására. Tartsa távol a hálózati kábelt hőforrásoktól, olajtól, éles szélektől és mozgó alkatrészekről! A sérült vagy összegabalyodott kábelek növelik az áramütés kockázatát!
- Amennyiben az elektromos szerszámot a szabadban használja, a csatlakozást a szabadban történő használatra alkalmas kültéri hosszabbítókkal kell megoldani. A szabadban

történő használatra alkalmas hosszabbítók használata csökkenti az áramütés kockázatát.

- Amennyiben az elektromos szerszámot nedves környezetben használja, elkerülhetetlen egy feszültségvédelmi eszköz használata, mint egy hibaáram védelmi kapcsoló (RCD). Az RCD használata csökkenti az áramütés kockázatát.



**FIGYELEM!** A szerszám használatának biztonságával kapcsolatos általános figyelmeztetések:

#### **Személyi biztonság:**

- Ez a berendezés nem használható csökkentett fizikai, szenzoriális vagy mentális képességű személyek (beleértve a gyermekeket is), tapasztalattal nem rendelkező személyek vagy olyan személyek által, akik nem ismerik a berendezést, kivéve képeznek azok a helyzetek, amikor a berendezés használata felügyelet alatt vagy a használati utasítások betartásával történik egy, a biztonságért felelős személy által.
- Legyen figyelmes, összpontosítson arra, amit csinál és legyen mindig annak tudatában, hogy elektromos szerszámmal dolgozik! Ne használja az elektromos szerszámot, ha fáradt, ha kábítószert, alkoholt vagy gyógyszer befolyása alatt áll! Elektromos szerszám használatánál egy pillanatra nyílt figyelmetlenség is komoly sérülések okozója lehet!
- Hordjon védőruházatot! Minden esetben viseljen védőszemüveget! Olyan védőruházat hordása mint a porvédő maszk, csúszásbiztos cipő, fülvédő vagy hallásvédő csökkenti a sérülések kockázatát!
- Kerülje el, hogy az elektromos szerszám véletlenül bekapcsoljon! A hálózati áramforrásra történő csatlakozás és/vagy az akkumulátor csatlakoztatása, valamint a szerszám felemelése vagy mozgatása előtt, győződjön meg arról, hogy az elektromos szerszám kapcsolója kikapcsolt állapotban van! Az elektromos szerszám mozgatása vagy bekapcsolt állapotban történő használata balesetet okozhat!
- Az elektromos szerszám beindítása előtt távolítsa el minden szerszámot a közelből! Az elektromos szerszám mozgó részsein hagyott szerszámok sérüléseket okozhatnak!
- Ne hajtjon le mélyen! Álljon biztosan és tartsa meg az egyensúlyát! Ez az elektromos szerszám jobb ellenőrzését teszi lehetővé váratlan helyzetekben.
- Ötözzön fel megfelelően! Ne hordjon bő ruházatot vagy ékszert! Haját kösse be, ruházatát és kesztyűjét tartsa távol a mozgó alkatrészekről! A bő ruházat, az ékszer és a hosszú haj beleakadhat a mozgó alkatrészekbe.
- Amennyiben a berendezés alkalmas külső porszívó és porgyűjtő csatlakoztatására, győződjön meg arról, hogy ezek helyesen lettek csatlakoztatva és használva. A porgyűjtő használata csökkentheti a porral járó veszélyek kockázatát.



**FIGYELEM!** A szerszám biztonságos használatára vonatkozó általános figyelmeztetések:

**Az elektromos szerszám használata és gondozása:**

- Ne terhelje túl az elektromos szerszámot! Az elvégzendő munkához szükséges teljesítmény függvényében használjon elektromos szerszámokat! A megfelelő elektromos szerszám jobb működést és biztosabb terhelést tesz lehetővé.
- Tilos az elektromos szerszám használata, ha a kapcsoló nem indítja el és nem állítja meg a szerszámot! Minden elektromos szerszám, amely nem indul el vagy nem áll meg, veszélyes és meg kell javítani!
- Minden beállítást, alkatrészcsere vagy tárolás előtt húzza ki a csatlakozó dugót az elektromos szerszám hálózati áramforrásából és/vagy vegye ki az akkumulátort! Ezek a biztonsági intézkedések csökkentik az elektromos áram véletlenszerű bekapcsolását.
- A használaton kívüli elektromos szerszámot gyermekektől távol kell tárolni, és nem szabad kölcsön adni olyan személyeknek, akik nem ismerik az elektromos szerszámot vagy nem olvasták el annak használati utasításait! Az elektromos szerszám veszélyes, ha tapasztalat nélküli személy használja!
- Az elektromos szerszámot karban kell tartani! Ellenőrizni kell a mozgásban lévő alkatrészek vonalbeállítását vagy zavarát, az alkatrészek törését és egyéb tényezőket, melyek befolyásolhatják az elektromos szerszám működését! Ha rongálódást észlelünk, az elektromos szerszámot még használat előtt meg kell javítani! Számos baleset oka az elektromos szerszám nem megfelelő karbantartása.
- A vágószerszámok élesek és tiszták kell legyenek! A vágószerszámok éles alkatrészeinek karbantartása csökkenti az anyagba történő beakadás kockázatát és megkönnyíti a használatot.
- Az elektromos szerszámot, a berendezést, a munkaszerszámokat, stb. jelen utasításoknak megfelelően kell használni, figyelembe véve a munka jellegét és feltételeit. Az elektromos szerszám rendeltetésétől eltérő használata veszélyes helyzeteket okozhat.
- Alacsony hőmérsékleten vagy hosszabb használaton kívüli időszakot követően ajánlott az elektromos szerszám teher nélküli elindítása néhány percre a kenőanyag átviteli mechanizmusba történő helyes elosztása érdekében.
- Az elektromos szerszám tisztításához puha, nedves (nem vizes) rongyot és szappant használjon! Ne használjon benzint, oldószert vagy egyéb anyagokat, amelyek károsíthatják a berendezést!
- Az elektromos szerszámot csak azután lehet tárolni/szállítani, miután megbizonyosodtunk arról, hogy minden mozgó eleme rögzítésre és biztosításra került a rögzítésre szánt eredeti elemek segítségével.
- Az elektromos szerszámot száraz helyen kell tartani, védve a portól és a nedvségtől.
- Az elektromos szerszám szállítása az eredeti csomagolásban történhet, megvédve ezáltal a mechanikai sérülésektől.



**FIGYELEM!** A szerszám biztonságos használatára vonatkozó általános figyelmeztetések:

**Javítás:**

- Az elektromos szerszám javítását olyan szakemberek végezhetik, akik eredeti cserealkatrészeket használnak. Ez biztosítja azt, hogy az elektromos szerszám használata biztonságosan történjék.



**FIGYELEM!** Akkumulátoros fúró-csavarozó, biztonságra vonatkozó figyelmeztetések -

**Személyi biztonság:**

- A fúró-csavarozó használata során használjon hallásvédőt! A zajnak való kitettség hallásvészést okozhat!
- Amikor olyan munkákat végez, melynek során a szerszám vagy a csavar hozzérhető a rejtett elektromos kábelekhez vagy saját kábeléhez, az elektromos szerszámot a fogantyú szigetelt felületénél kell fogni! A tápkábelrel való érintkezés a feszültség egy részét a készülék fém alkatrészeinek továbbíthatja, ami áramütéshez vezethet.
- Használjon megfelelő keresőeszközöket a rejtett elektromos kábelek helymegjelöléséhez, vagy kérjen tájékoztatást az önkormányzati intézményektől! A feszültség alatt lévő kábelekkel történő érintkezés tüzesetet vagy áramütést idézhet elő! A gázvezeték sérülése robbanásveszélyes! A víz- és csatornaszövek kilyukadása anyagi károkat okozhat!
- Ne munkáljon meg azbeszt tartalmú anyagokat! Az azbeszt rákkeltő anyagnak minősül!
- A munkavégzés helyét tartsa tisztán! Az anyagkeveredés nagyon veszélyes! A fémporok könnyen meggyúlnak és felrobbanhatnak!
- Biztosítsa a megmunkált tárgyat! Bizonyosodjon meg arról, hogy az összes rögzítő elem meg van szorítva és ellenőrizze, hogy ne legyenek nagy távolságok! A megmunkált elem rögzítő szerszámba vagy csavaros szorítóba történő rögzítése biztonságosabb, mint kézben tartása.
- Használat közben az elektromos szerszámot mindkét kézzel a fő és kiegészítő fogantyúnál, stabil pozícióban kell tartani! Az elektromos szerszám használata biztonságosabb, ha mindkét kézzel fogja azt!
- Azonnal állítsa meg az elektromos szerszámot, ha a használt szerszám leblokkol. Készüljön fel az erős rezgésekre, melyek visszaugrást okozhatnak! A használt szerszám leblokkol: ha az elektromos szerszám túlterhelt vagy amikor az elembe hajol.
- Az elektromos szerszám padra helyezése előtt várja meg míg az megáll! A használt szerszám leállhat, ami az afeletti ellenőrzés elvégzéséhez vezethet!



**FIGYELEM!** Az akkumulátor és töltő biztonságos használata:

**Akkumulátor használata:**

- Csak a gyártó által megjelölt specifikációknak megfelelő akkumulátorokat használjon! Más akkumulátorok használata esetén repedés, szétesés, testi sérülés vagy tüzeset történhet!
- FIGYELEM! Amennyiben az akkumulátor megsérül vagy nem megfelelően kerül használatra, robbanásveszélyes gáz szivárgása követhet be! Az akkumulátort távol kell tartani a tűzforrásoktól és megfelelő szellőztetést kell

**biztosítani a töltési időre!** *Ne hagyja az akkumulátort hosszú ideig magas hőfokon (napfényes helyen, a radiátorok közelében és olyan helyeken, ahol a hőmérséklet meghaladja a 40°C-ot!)*

- c) **Az akkumulátor töltése 15-25°C közötti hőmérsékletű környezetben kell történnjen!**
- d) **Az akkumulátort csak az elektromos szerszámhoz csatolt töltővel szabad tölteni!** *Más akkumulátorok használata esetén repedés, szétesés, testi sérülés vagy tüzeset történhet!*
- e) **Ne tegye ki víznek és nedvességnek az akkumulátort!**
- f) **Ha több mint egy akkumulátort szándékozik tölteni, az egymást követő töltések között 30 perces szünetet kell tartania!**
- g) **Semmilyen esetben se nyissa fel az akkumulátort!**
- h) **Extrém helyzetekben az akkumulátorból elektrolit folyás következhet be!** *Ilyen esetben törölje le a folyadékot az akkumulátorról! Kerülje az elektrolit bőrrel történő érintkezését!* *Ha az elektrolit mégis bőrrel érintkezett, mossa meg figyelmesen ezt a bőrrészt, finom savval (citromlé, ecet) semlegítsen! Szívódmények esetén forduljon orvoshoz!*  
*Amennyiben az elektrolit szemmel érintkezik, fiziológiás sóoldattal vagy tiszta vízzel körülbelül 10 percen keresztül mossa meg szemét!*  
**NE TEGYEN RÁ KÖTÉSERT! Forduljon orvoshoz!**
- i) **Kerülje az akkumulátor pólusainak bármilyen fém tárgyval történő lekötését (ne tegye zacskóba, zsebbe más fém elemmel az akkumulátort) – tüzesetet okozhat!**
- j) **Ne dobja tűzbe az akkumulátort!**
- k) **Ne töltsze az elromlott akkumulátort!**



*Az akkumulátorok több töltésre lettek szánva, lítiumot tartalmaznak, amely környezetveszélyes.*

*A használati idő után az akkumulátort a környezetvédelmi törvények szerint kell használni!*

*Ennek megfelelően az akkumulátort teljesen le kell meríteni, ki kell venni az elektromos berendezésből és le kell adni az akkumulátor felhasznált pontnál vagy abban az üzletben, ahonnan vásárolták!*

#### **A töltő használata:**

- a) **Csak a gyártó által ajánlott akkumulátort használjon!**
- b) **A leszállított töltőt csak azon akkumulátor töltésére szabad használni, melyet azzal együtt kapott!**  
*Más akkumulátor töltése esetén az megrepedhet, széteseshet, sérülést okozhat vagy tüzeset idézhet elő!*
- c) **Ne szerelje szét a töltőt!**
- d) **A töltőt csak helyiségekben használja! Ne tegye ki víznek és nedvességnek az akkumulátort!**
- e) **Csak 15°-25°C-os hőmérséklet között töltsé!**
- f) **Ne vezessen be semmiféle fém tárgyat a töltőbe!**

#### **A FÚRÓ-CSAVARÓZÓ FELEPÍTÉSE ÉS RENDELLETÉSE:**

Az akkumulátoros fűrő-csavarozó rendeltetése a dübelek be- és kicsavarozása, olyan anyagok fúrása, mint az acél, fa, műanyag, stb.

A fűrő-csavarozó csak amatőr háztartási felhasználás célra használható.

**Tilos a szerszámot olyan munkák végzésére használni, melyek professzionális készüléket igényelnek!**

A készülék minden olyan használata, amely eltér a fent említett rendeltetéstől, tilos és a garancia elvesztéséhez vezet, a gyártó nem

felelős az ezekből eredő károkrért.

A készülék összes, a felhasználó által végzett módosítása mentesíti a gyártót a felelősség alól a felhasználónak és a környezetnek okozott károkrért.

Egyes kockázati tényezők még abban az esetben sem küszöbölhetőek ki teljesen, ha a készüléket a rendeltetésnek megfelelően használták. A felépítés és tervezés miatt a következő kockázatok jelenhetnek meg:

- a mozgásban lévő fűrőfej kézzel vagy ruházzal történő megérintése
- a fűrőfej cseréje közbeni égesek (Működésben közben a fűrőfej nagyon felmelegszik. Az égesek elkerülése érdekében a fűrőfej cseréje közben használjon védőkesztyűt!)
- a megmunkált elem vagy annak részeinek visszaurgrása
- a fűrőfej elgömböülése/törése.

#### **■ Kiegészítők:**

- Akkumulátoros fűrő-csavarozó - 1 db.
- Akkumulátor - 1 db.
- Töltő - 1 db.
- Állítsa be a munkaeszközök:
  - 1/4"-es mágneses bit befogó - 1 db.
  - bitfejek - 6 db. (PH1, PH2, PZ1, PZ2, SL5, SL6)
  - fűrők - 6 db. (1,5; 2,5; 3; 4; 5; 6 mm)
- Hordtáska - 1 db.
- Garanciaalap - 1 db.
- Használati utasítások - 1 db.

#### **■ A gép elemei (lásd: 2. oldal):**

*A szerszám elemeinek számozását a jelen használati utasítások 2. oldalán szereplő ábra mutatja be:*

- A. rajz:**
- 1. Gyorstokmány
  - 2. Ívbeállító kar
  - 3. Akkumulátor kapacitás jelző
  - 4. Forgásirány kapcsoló
  - 5. Főfogantyú
  - 6. Övakasztó
  - 7. Akkumulátor
  - 8. Akkumulátor rögzítő zár
  - 9. Indítógomb
  - 10. Segédvilágítás
- C. rajz:** 11. Töltő
- F. rajz:** 12. Ívbeállító jelző
13. Lyukasztási pozíció piktogram
- G. rajz:** 14. Bal menetes rögzítő csavar

#### **MŰSZAKI ADATOK:**

MODELL	TFV12	TFV18
Aramfeszültség	DC 12 V	DC 18 V
Forgási sebesség teher nélkül	0-700/perc	
Gyorstokmány befogási tartomány	ø 0,8-10 mm	
Súly (akkumulátorral)	1,030 kg	1,135 kg
Hangnyomás szint (LpA)	81 dB(A)	
Hangerő szint (LwA)	92 dB(A)	
KpA, KwA bizonytalanság	3 dB(A)	
EN 60745 szabvány szerinti vibrációs szint (K bizonytalanság=1,5 m/s <sup>2</sup> )	2,19 m/s <sup>2</sup>	

Az akkumulátor típusa	Li-ion	
Üzemi feszültség	12V	18V
Akkumulátorteljesítmény	1500mAh	
<b>Töltő</b>		
Bementi feszültség	100-240 V	
Hálózati frekvencia	50/60 Hz	
Teljesítmény	5W	8W
Kimeneti áram (DC)	15V/ 0,33A	21,5V/ 0,37A
Töltési idő	3-5 h	

Az említett vibrációs szint reprezentatív az elektromos készülék használata szempontjából. Amennyiben az elektromos készülék más célból vagy egyéb munkaeszközzel kerül használatra, illetve ha karbantartása nem megfelelő, a vibrációs szint elérhet a megjelölttől. A fent említett okok a vibrációs expozíció szintje növekedéséhez vezethetnek a működés teljes ideje alatt.

Kiegészítő védelmi eszközöket kell használnia, melyek célja a vibrációs expozíció kezelésére gyakorolt hatásaitól való védelem, mint pl.: Elektromos készülék és munkaeszközök karbantartása, a kezek megfelelő hőmérsékletének biztosítása, a munkatevékenységek sorrendjének megállapítása.

### HASZNÁLATRA TÖRTÉNŐ FELKÉSZÜLÉS:

#### ■ Akkumulátor töltése

A fűrő-csavarozógép részben feltöltött akkumulátor került leszállításra. Használat előtt teljesen fel kell töltenie az akkumulátort. Ajánljuk, hogy az első töltés minimum 5 óras legyen.

1. Nyomja meg az akkumulátor blokkoló gombot **(8)** és vegye ki az akkumulátort **(7)** a fűrő-csavarozóból (lásd a **B** rajz).
2. Csatlakoztassa az akkumulátort **(7)** a töltőre **(11)** (lásd a **C** rajz).
3. Csatlakoztassa a töltő dugaszát 100-240V, 50/60Hz hálózati konnektorba.

#### ■ Akku töltésgjelző

Az akkumulátor világító **piros** diódája arról tájékoztat, hogy a töltés folyamatban van. Amikor teljesen feltöltődik az akkumulátor, elalszik a piros dióda és kigyullad a **zöld** dióda.

A töltés során automatikusan csökken a töltőáram. Kb. 3 óra elteltével a töltőáram minimális szintre csökken (fenntartó töltés), ami megelőzi a túltöltés és az akkumulátor sérülésének a lehetőségét.

**Amikor a töltési folyamat befejeződött, húzza ki a töltőt a hálózatról és vegye ki az akkumulátort!**

A lítium-ion akkumulátor bármikor feltölthető anélkül, hogy érintene bármiféleképpen is annak élettartamát. A töltési folyamat megszakítása nem vezet az akkumulátorcellák sérüléséhez.

### HASZNÁLATSORÁN:

#### ■ Be/kikapcsolás

Az indítógomb **(9)** a forgási sebesség folyamatos szabályozásával rendelkezik.

Az elektromos szerszám bekapcsolásához nyomja meg az indítógombot. A forgási sebesség ahhoz mérten nő, hogy mennyire erősen nyomja a gombot. Az elektromos szerszám kikapcsolásához engedje el az indítógombot.

#### ■ Akkumulátor kapacitásjelző

Az akkumulátor kapacitás jelző **(3)** két színes LED diódával jelzi az akkumulátor lemerülési szintjét.

#### Világít a zöld LED dióda:

Az akkumulátor teljesen fel van töltve.

#### Világít a zöld és a piros LED dióda:

Az akkumulátor elégséges töltéssel rendelkező.

#### Csak a piros LED dióda világít:

Az akkumulátor lemerült, fel kell tölteni.

#### ■ Forgásirány beállítása (lásd a **E** rajz)

A fűrő-csavarozógép lehetőséget nyújt arra, hogy a forgási irányt az órajárással megegyező (jobbra forgás) vagy ellenkező (balra forgás) irányba állítsuk be:

- a forgási sebesség jobbra történő beállításához a kapcsoló balra/jobbra forgás tolokáját **(4)** fordítsa balra (lásd a készülék hátoldalán).

- a forgási sebesség balra történő beállításához a kapcsoló balra/jobbra forgás tolokáját **(4)** fordítsa jobbra (lásd a készülék hátoldalán).

Amikor a forgásirány kapcsoló középen helyezkedik el, az indítógomb le van blokkolva.

Fúrászhöz és csavarozáshoz állítsa jobbra a forgási irányt. A fűrőfej behúzásához, a fűrőfej blokkoló kivételéhez és a csavarok kicsavarozásához állítsa balra a forgási irányt.

#### ■ Forgási fordulatszám beállítása (lásd a **F** rajz)

A fűrő-csavarozógép egy olyan gyűrűvel **(2)** rendelkezik, amellyel a csavarok becsavarozásakor be lehet állítani a forgás fordulatszámát. A gyűrűn 22 pozíció található, 1-től 21-ig, valamint a fűrő pozíció.

A gyűrű kiválasztott pozícióba (od 1-21) történő beállítása az ív feszítőerejét állapítja meg a fordulatszám által megállapított mértékben. Ez lehetővé teszi a csavar túl mélyen történő becsavarozása vagy sérülése elleni biztosítást. Különböző típusú csavarokhoz és anyagokhoz a forgási fordulatszám különböző értékeit kell használni.

Mindig kis fordulatszámmal kell kezdeni és fokozatosan emelni a fordulatszámot, amíg eléri a kívánt eredményt.

Fém, fa és műanyag fúrászhöz úgy állítsa be a gyűrűt **(2)**, hogy a jelző **(12)** takarja el a jelet **(13)**.

#### ■ A fogantyú cseréje (lásd a **G** rajz)

1. Vegye ki az akkumulátort **(7)** a fűrő-csavarozógépből.
2. Nyissa fel teljesen a fogantyút **(1)**.
3. A PH 2-es (2. sz. Philips) csavarhúzó segítségével, az órajárással megegyező irányba csavarozza ki a tokmány rögzítő csavarjait **(14)**. **(FIGYELEM! Balmenet)**. A beragadt csavart a fej nyelje megütésével is kioldhatja.
4. Tartsa meg a fogantyú alsó gyűrűjét (amely közelebb áll a fűrő-csavarozógép gépházához) és az órajárással ellentétes irányba csavarozza ki a fűrő-csavarozógép tokmányát (a tokmány felől nézve)! **FIGYELEM!** A blokkolt gyorstokmány **(1)** a hatszögű kulcs rövidebb felének tokmányba történő behelyezésével és hosszabbik felének könnyű ütésével felszabadítható. (lásd: **D** rajz)
5. A tokmány beszereléséhez az órajárással megegyező irányba (a tokmány felől nézve) kell azt a tengelybe becsavaroznia és a rögzítő csavarral rögzítenie, valamint a PH 2-es (2. sz. Philips) csavarhúzóval az órajárással ellentétes irányba becsavaroznia. Ahhoz, hogy a tokmány ne forogjon a rögzítőcsavar becsavarozásakor, az alsó (a fűrő-csavarozógép gépházához legközelebb álló) gyűrűnél tartsa a tokmányt.

### ■ Kiegészítő elemek

- A praktikus övakasztó (6) a fúró-csavarozó szíjra akasztását teszi lehetővé mind a jobb-, mind a balkezes felhasználó számára.
- A fúró-csavarozógép a fúrás/csavarozás helyének segédvilágításával (10) van ellátva, amely az indítógomb (9) megnyomásakor kapcsol be.

### ■ Munkaeszközök cseréje

**FIGYELEM!** Kapcsolja le az akkumulátort a fúró-csavarozógépről vagy állítsa a középső pozícióba a forgásirány kapcsolót (4) ahhoz, hogy megvédje önmagát a szerszám véletlenszerű bekapcsolásától, amely megsebezheti a kezelőt.

Kioldott kapcsológombnál (9) leblokkol a fúróorsó. Ez lehetővé teszi a munkaszerszám gyors, kényelmes és könnyű cseréjét a fúrótokmányban. A fúró (vagy fej) tokmányból való kivételéhez forgassa el balra a tokmány gyűrűjét a tokmány nyílásának a növeléséhez. A fúró (vagy fej) tokmányba szereléséhez forgassa el a tokmány gyűrűjét jobbra egészen a fúró beszorulásáig.

A fúrót (vagy más típusú fejet) ellenállásig kell a tokmányba helyezni.

### ■ Fúrás

1. Amikor mély nyílásokat végez, fokozatosan fúrjon kisebb mélységekig, majd húzza ki a fúrófejet, hogy a por távozhatson a nyílásból.
2. Nagyobb átmérőjű nyílás fúrásánál ajánlatos egy szűkebb nyílással kezdeni, majd nagyobbítsa azt a kívánt méretre. Ezáltal elkerüli a fúrógép felmelegedését.
3. Amennyiben a fúrófej fúrás közben leáll, kapcsolja ki a fúrógépet, hogy ezáltal elkerülje annak sérülését. A forgásirány megváltoztatásával húzza ki a fúrófejet a nyílásból.
4. Tartsa a csavarozógépet az elvégzett nyílás tengelyében. A megmunkált anyag felületéhez képest a fúrófejet derékszögben kell rögzíteni. Ha nem tartja a derékszöget használat közben, a fúrófej nyílásban történő leállítását vagy törését idézheti elő, extrém esetben pedig a kezelő sérülését.

A tengely forgási sebességének beállítása a kapcsoló megfelelő erősségű megnyomásával történik.

### ■ Debül becsavarozása

Ajánlott, hogy először keskenyebb, a dübel hosszúságánál kicsit hosszabb nyílást végezzen. Amennyiben a dübel az anyag szélének közelében helyezkedik el, egy ilyen nyílás előkészítése megszünteti az anyagrészt nem kívánt kiesésének kockázatát.

Amennyiben a dübel becsavarozásakor probléma merülne fel, húzza ki és tágtássa egy kicsit a nyílást.

Amennyiben a csavarozás továbbra is nehezen menne (ami megtörténhet a keményebb fajták esetében), használjon kenőanyagot (pl. folyékony szappant). Nyomja megfelelően a csavarozógépet, hogy elkerülje a befogó csavarhúzófejjel együtt történő forgását. Azokat a fejeket használja, amelyek pontosan illeszkednek a csavarhúzófejjel. A csavarhúzó fogójának sérülése a be- és kicsavarozás ellehetetlenítéséhez vezethet.

### TÁROLÁS ÉS KARBANTARTÁS:

A szerszám gyakorlatilag nem igényel különleges karbantartást. A szerszámot gyermekektől távol, tisztán kell tartani, óvni a nedvességtől és a portól! A tárolási körülmények ki kell küszöböljék a mechanikus rongálódások vagy a különböző időjárási viszonyok káros hatásainak

lehetőségét!

**FIGYELEM!** Minden tisztítási és karbantartási művelet végzése előtt vegye ki az akkumulátort a berendezésből és húzza ki a csatlakozó dugót az aljzatból!

A töltőt száraz ronggyal tisztítsa. Száraz kefével vagy ronggyal időközönként tisztítsa meg a fúró-csavarozógép szellőzőnyílásait is. Időközönként szerelje le a fúró befogóját és távolítsa el a port és a koszt.

A gépházat tiszta és nedves vászonnal, kis mennyiségű szappannal kell tisztítani. Ne használjon semmilyen tisztító- vagy oldószert, mert ezek megrongálhatják a gép műanyag alkatrészeit. Vigyázzon arra, hogy ne kerüljön víz a készülék belsejébe. Tisztítás után várja meg amíg a fúró-csavarozógép megszárad.

### SZÁLLÍTÁS:

A készüléket hordaládában kell szállítani és tárolni, amely megóvja a nedvességtől, a portól és a kisméretű tárgyaktól. Különösen a szellőzőnyílásokat kell védeni. A gépházba bejutó kis elemek rongálhatják a motort.

### KÖRNYEZETVÉDELLEM:



**FIGYELEM!** Ez a jel azt jelöli, hogy a használt készüléket tilos egyéb hulladékkal egy helyen elhelyezni (pénzbüntetés terhe mellett). Elektromos és elektronikus gépek veszélyes alkatrészei negatívan befolyásolják a környezetet és az emberek egészségét.

Minden háztartásnak hozzá kell járulnia a használt készülékek visszanyeréséhez és újrahasznosításához. Úgy Lengyelországban, mint Európában megszervezik vagy már létezik a használt készülékek gyűjtési rendszere, melynek keretében az adott készülék minden értékesítési helyén kötelesek átvenni a használt készüléket. Ezenkívül léteznek ilyen típusú készülékek gyűjtő központjai is.

### PIKTOGRAMOK:

A névleges táblázatban szereplő rajzok magyarázata:



– «Bekapcsolás és működtetés előtt olvassa el a használati utasításokat!»



– «Védőszemüveg használata kötelező!»



– «Hallásvédő használata kötelező!»

### GYÁRTÓ:

PROFIS Sp. z o.o.,  
ul. Marywilska 34,  
03-228 Warszawa, LENGYELORSZÁG

Ez a gép megfelel a nemzeti és európai szabályoknak, valamint a biztonsági előírásoknak.

Minden javítást szakképzett személy végezhet, kizárólag eredeti cserealkatrészt használva!



**TÍPIKUS MEGHIBÁSODÁSOK ÉS AZOK ELTÁVOLÍTÁSA:**

MEGHIBÁSODÁS	LEHETSÉGES OK	HIBA ELTÁVOLÍTÁSA
A fúró-csavarozó nem működik.	Nincs tápellátás, sérült motor vagy kapcsológomb.	Ellenőrizze az akkumulátor töltöttségét, szükség esetén tölteni vagy újra cserélni. Ha továbbra sem működik az elektromos szerszám, küldje be a garanciakártyán megadott című szervizbe.
Zavar a motor működésében.	Lemerült elem.	Töltse fel az akkumulátort.
	Elkopott szénkefék.	Cseréltesse ki a szénkeféket a szervizben.



A PROFIX cég politikája az, hogy folyamatosan tökéletesítse termékeit, ezért fenntartja magának azt a jogot, hogy a termék specifikációit előzetes tájékoztatás nélkül módosítsa! A használati utasításokban megjelölt ábrák csak példák, ezek kicsit eltérhetnek a megvásárolt eszköz valódi arculatától!

Az alábbi útmutatót szerzői jogok védik. Annak másolása / sokszorosítása a Profix Sp. z o.o. cég írásos beleegyezése nélkül tilos.

**PRIEŠ RADEKANT DARBĄ SUSIPAŽINKITE SU INSTRUKCIJA.**

Išsaugokite instrukciją, nes gali būti reikalinga vėliau.



**ĮSPĖJIMAS!** Prašome perskaityti visus įspėjimus dėl saugaus naudojimo pažymėtus simboliais ⚠️ bei visas nuorodas dėl saugaus naudojimo.

Žemiau pateikiamų įspėjimų dėl saugos bei saugos nuorodų nesilaikymas gali būti elektros smūgio, gaisro ir/arba sunkių kūno sužalojimų priežastimi.

Išsaugokite visus įspėjimus ir visas saugos nuorodas, kad vėliau būtų galima jais pasinaudoti.

Žemiau pateiktuose įspėjimuose sąvoka „elektros prietaisas“ apibūdina elektros prietaisą maitinamą elektros energija iš elektros tinklo (maitinimo laidas) arba elektros prietaisą maitinamą akumuliatoriumi (belaidis).



**ĮSPĖJIMAS!** Bendri įspėjimai dėl saugaus įrankio naudojimo.

**Sauga darbo vietoje:**

- Darbo vietoje turi būti švaru, tvarkinga bei geras apšvietimas. Netvarka bei netinkamas darbo vietos apšvietimas gali būti nelaimingų atsitikimų priežastimi.
- Nenaudoti elektros prietaiso sprogioje aplinkoje, kurioje yra degūs skysčiai, degios dujos arba dulkės. Elektros prietaiso darbo metu susidaro elektros kibirkštis, todėl gali užsidegti esantis aplinkoje garai.
- Darbo vietoje negali būti vaikai bei pašaliniai. Dėmesio nukreipimas gali būti elektros prietaiso valdymo praradimo priežastimi.



**ĮSPĖJIMAS!** Bendri įspėjimai dėl saugaus įrankio naudojimo.

**Elektros sauga:**

- Elektros prietaisų kištukai turi atitikti elektros lizdo tipui. Jokiu būdu negalima keisti kištuko. Jeigu elektros prietaisas turi įžeminimą, negalima naudoti ilgutuvo. Originalių kištukų bei lizdų naudojimas sumažina elektros smūgio riziką.
- Venkite kūno kontakto su įžemintais paviršiais, tokiais kaip vamzdžiai, šildytuvai, centrinio šildymo radiatoriai bei šaldytuvais. Kontaktas su įžemintais paviršiais didina elektros smūgio pavojų.
- Saugokite prietaisą nuo lietaus ir drėgmės. Jeigu vanduo patenka į elektros prietaisą, padidėja elektros smūgio rizika.
- Nenaudokite laidų ne pagal paskirtį. Neneškite įrenginio paėmę už laido, neturkite už jo norėdami išjungti kištuką iš elektros lizdo. Laidą klokite taip, kad jo neveiktų karštis, jis neišsistieptų alyva ir jo nepažeistų aštrios detalės ar judančios prietaiso dalys. Pažeistas laidas gali tapti elektros smūgio priežastimi.
- Jeigu elektros prietaisas yra naudojamas lauke, laido prailginimui naudokite tik specialiai tam skirtus prailgintuvus. Prailgintuvų skirtų darbui lauke naudojimas sumažina elektros smūgio riziką.
- Jeigu negalima išvengti elektros prietaiso naudojimo

drėgnoje aplinkoje, naudokite RCD įrenginį. RCD įrenginio naudojimas sumažina elektros smūgio riziką.



**ĮSPĖJIMAS!** Bendri įspėjimai dėl saugaus įrankio naudojimo.

**Žmonių sauga:**

- Prietaisu negali naudotis asmenys (tame tarpe vaikai) turintis fizinis, jutimo arba psichinius negalavimus, taip pat asmenys neturintis darbo patirties arba nesusipažinę su prietaisu, nebent toks darbas vyksta stebint specialistui arba pagal prietaiso naudojimo instrukciją, kuri buvo perduota asmeniui atsakingu už saugą.
- Būkite atidūs, sutelkite dėmesį į tai, ką Jūs darote ir, dirbdami su elektros prietaisu, vadovaukitės sveiku protu. Nedirbkite su prietaisu, jei esate pavargę arba vartojote narkotikus, alkoholį ar medikamentus. Akimirksnio neatidumas naudojant prietaisą gali tapti rimtų sužalojimų priežastimi.
- Dėvėkite tinkamą aprangą. Nešiokite apsauginius akinius. Apsauginė aprangos, tokios kaip dulkių kaukė, neslystantis apsauginiai batai, šalmas, asinės, naudojimas sumažina sužalojimų grėsmę.
- Saugokitės, kad neįjungtumėte prietaiso atsitiktinai. Prieš įjungiant kištuką į elektros lizdą ir/arba prieš akumuliatoriaus įjungimą bei prieš paimant arba pernešant prietaisą įsitikinkite, kad prietaisas yra išjungtas. Prietaiso pernešimas su pirštu ant jungiklio arba prietaiso įjungimas į maitinimo tinklą gali tapti nelaimingo atsitikimo priežastimi.
- Prieš įjungdami prietaisą pašalinkite raktus. Prietaiso besisukančioje dalyje esantis įrankis ar raktas gali tapti sužalojimų priežastimi.
- Nepasilenkite pernelį į priekį. Dirbdami atsistokite patikimai ir visada išlaikykite pusiausvyrą. Patikima stovėseną ir tinkama kūno laikysena leis geriau kontroliuoti prietaisą netikėtose situacijose.
- Dėvėkite tinkamą aprangą. Nedėvėkite plačių drabužių ir papuošalų. Saugokite plaukus, drabužius ir pirštines nuo besisukančių prietaiso dalių. Laisvus drabužius, papuošalus bei ilgus plaukus gali įtraukti besisukančios prietaiso dalys.
- Jeigu įrenginiai yra pritaikyti prijungimui prie dulkių nusiurbimo ir dulkių surinkėjo, įsitikinkite, kad šie įrenginiai tinkamai prijungti ir panaudoti pagal paskirtį. Dulkių surinkėjų panaudojimas sumažina dulkių poveikio pasekmes.



**ĮSPĖJIMAS!** Bendri įspėjimai dėl saugaus įrankio naudojimo.

**Rūpestinga elektros prietaisų priežiūra ir naudojimas**

- Neperkraukite prietaiso. Naudojamo prietaiso galingumas turi atitikti atliekamam darbui. Tinkamai parinktas elektros prietaisas leis atlikti darbą gerai ir saugiai.
- Nenaudokite elektros prietaiso su sugedusiu jungikliu. Elektros prietaisas, kurio nebegalima įjungti ar išjungti, yra pavojingas ir jį reikia remantuoti.

- c) **Prieš reguliuodami prietaisą, keisdami darbo įrankius arba prieš sandėliavimą ištraukite kištuką iš elektros lizdo ir/arba atjunkite akumuliatorių.** *Ši saugumo priemonė apsaugos jus nuo netikėto prietaiso įsijungimo.*
- d) **Nenaudojamą prietaisą sandėliuokite vaikams ir nemokantiems juo naudotis arba nesusipažinusiems su instrukcija asmenims neprieinamoje vietoje.** *Elektriniai įrankiai yra pavojingi, kai juos naudoja nepatyrę asmenys.*
- e) **Rūpestingai prižiūrėkite prietaisą.** **Patikrinkite, ar besiuskančios prietaiso dalys tinkamai veikia ir niekur nekliūva, ar nėra sulūžusių ar šiaip pažeistų dalių, kurios įtakotų elektros prietaiso veikimą.** **Jeigu yra gedimai suremontuokite prietaisą.** *Daugelio nelaimingų atsitikimų priežastis yra blogai prižiūrimi elektros prietaisai.*
- f) **Pjovimo įrankiai turi būti aštrūs ir švarūs.** *Rūpestingai prižiūrėti elektros prietaisai su aštriais pjovimo įrankiais yra lengviau valdomi ir juos geriau kontroliuoti.*
- g) **Elektros prietaisą, papildomus įrankius, darbo įrankius ir t.t. naudokite tik pagal instrukciją, turėdami omeny darbo sąlygas bei atliekamo darbo pobūdį.** *Elektros prietaiso naudojimas ne pagal paskirtį gali sukelti pavojingas situacijas.*
- h) **Jeigu prietaisas nebuvo naudojamas ilgesnį laiką arba yra naudojamas žemos temperatūros sąlygose, įjunkite jį kelioms minutėms be apkrovos tam, kad tepalas tinkamai pasiskirstytų pavaros mechanizme.**
- i) **Elektros prietaisus valykite minkštu, drėgnu (ne šlapiu) skuduru ir muilu.** **Nenaudokite benzino, tirpiklių bei kitų priemonių galinčių pakeisti prietaisą.**
- j) **Elektros prietaisą laikykite/transportuokite tik po to, kai įsitikinsite, kad jo visos besiuskančios dalys yra užblokuotos ir saugomos originaliomis, specialiai tam skirtomis detalėmis.**
- k) **Elektros prietaisą laikykite sausoje, apsaugotoje nuo dulkių bei drėgmės vietoje.**
- l) **Elektros prietaisą transportuokite originalioje pakuotėje, saugančioje nuo mechaninių pažeidimų.**



**ĮSPĖJIMAS! Bendri įspėjimai dėl saugaus įrankio naudojimo.**

#### **Remontas:**

- a) **Prietaisą turi remontuoti tik kvalifikuotas specialistas, naudojantis tik originalias atsargines dalis.** *Tik tokiu atveju elektros prietaiso naudojimas bus saugus.*



**DĖMESIO! Akumulatorinis gręžtuvas-suktuvas, saugaus darbo nuorodos.**

#### **Žmonių sauga:**

- a) **Darbo metu naudokite klausos apsaugos priemones.** *Ilgalaikis darbas triukšme gali sukelti klausos praradimą.*
- b) **Darbo metu, kai yra pavojus užkliudyti elektros laidus arba paties prietaiso laidą, elektros prietaisą laikykite už izoliuotus paviršius.** *Jeigu yra kontaktas su elektros laidais, tai visos metalinės prietaiso dalys taip pat yra jo įtampa, o tai gali sukelti elektros smūgį.*
- c) **Elektros laidų lokalizavimui naudokite tinkamus lokalizavimo prietaisus arba kreipkitės į pastato administraciją.** *Kontaktas su elektros laidais gali būti gaisro bei elektros smūgio priežastimi. Dujų vamzdžio pažeidimas gali sukelti sprogamą.*

*Vandentiekio vamzdžių pažeidimas gali sugadinti aplinkoje esančius daiktus.*

- d) **Draudžiama dirbti su medžiagomis, kurių sudėtyje yra asbestas.** *Asbestas gali būti navikinių susirgimų priežastimi.*
- e) **Darbo vietoje turi būti švaru.** *Ypač pavojingi yra medžiagų mšiniai.*  *Lengvos metalo dulksės gali užsidegti arba sprogti.*
- f) **Būtina patikimai pritvirtinti apdorojamą daiktą.** *Įsitikinkite, kad visi tvirtinimo gnybtai yra užveržti bei patikrinkite, kad jie nebūtų pernelyg laisvi.* *Apdorojamo daikto pritvirtinimas tvirtinimo mechanizmu arba spaustuose didina darbo saugumą.*
- g) **Elektros prietaisą darbo metu būtina tvirtai laikyti bei užtikrinti stabilią darbo poziciją.** *Varžtų užsikimo arba atsukimo metu gali atsirasti momentai, kai smūgiai yra labai stiprus.*
- h) **Jeigu naudojamas įrankis įstrigo, nedelsiant ištraukite elektros prietaiso kištuką iš elektros lizdo.** **Būkite pasiruošę įrankio vibravimui, kuriuo metu gali būti atmesta apdorojama medžiaga.** *Naudojamas įrankis gali įstrigti, jeigu: elektros prietaisas bus perkrautas arba išsikreivins apdorojamoje medžiagoje.*
- i) **Prieš padedant elektros prietaisą palaukite kol jis visiškai sustos.** *Darbo įrankis gali užstrigti ir tokiu būdu priversti prie kontrolės praradimo.*
- j) **Elektros prietaisą naudokite tik su specialiai jų maitinimui skirtais akumulatoriais.** *Kito akumulatoriaus naudojimas gali būti sužalojimų arba gaisro priežastimi.*



**ĮSPĖJIMAS! Saugus akumuliatorių bei įkroviklių naudojimas.**

#### **Akumuliatorių naudojimas:**

- a) **Naudokite akumulatorius atitinkančius gamintoju nurodytus reikalavimus.** *Akumulatorius neatitinkantis reikalavimus gali skilti, tai gresia kūno sužalojimais bei gaisru.*
- b) **DĖMESIO: Jeigu gedo netinkamus parametrus turintis akumulatorius, gali susidaryti sprogamosios dujos.** **Akumulatorius laikykite atokiau nuo ugnies šaltinių bei užtikrinkite tinkamą vėdinimą įkrovimo metu.** *Draudžiama laikyti akumulatorius aukštoje temperatūroje (tiesioginiuose saulės spinduliuose, arti kaitintuvų bei kitose vietose, kur temperatūra viršija 40C laipsnių).*
- c) **Akumulatorius turi būti įkraunamas 15-25 °C temperatūroje.**
- d) **Naudokite tik gamintoju rekomenduojamą įkroviklį.** *Kito tipo įkroviklio naudojimas sukelia gaisro pavojų.*
- e) **Saugokite akumuliatorių nuo vandens ir drėgmės.**
- f) **Jeigu yra įkraunamas daugiau negu vienas akumulatorius, būtina padaryti 30 min. pertrauką tarp įkrovimų.**
- g) **Draudžiama atidaryti akumuliatorių.**
- h) **Esant nepalankioms sąlygoms iš akumulatoriaus gali išbėgti skystis; venkite kontakto su juo.** **Jeigu netyčia įvyks kontaktas su skystiu, pakeistą vietą nuplaukite vandeniu.** **Jeigu skystis pataikų į akis, kreipkitės medicininės pagalbos.** *Akumulatoriaus skystis gali sukelti odos sudirginimą ar nudegimą.*
- i) **Kai akumulatorius nėra naudojamas, laikykite jį atokiau nuo metalinių daiktų, tokių kaip: sąvaržėlės, monetos, raktai, vynai, sraigtai arba kiti metaliniai daiktai, kurie gali būti trumpojo sujungimo su akumulatoriaus gnybtais priežastimi.** *Trumpasis sujungimas gali būti nudegimų arba gaisro priežastimi.*
- j) **Draudžiama įmesti akumuliatorių įgnį.**

### k) Draudžiama įkrauti pažeistą akumuliatorių.



Akumuliatorių įkraunamų daug kartų sudėtyje yra ličio, kuris yra kenksmingas aplinkai. Sunaudotus akumuliatorius būtina utilizuoti atitinkamai aplinkos apsaugos reikalavimams. Tokiu atveju visiškai iškraukite akumuliatorių, išimkite iš elektros prietaiso ir nuneškite į akumuliatorių utilizavimo tašką arba pridukite parduotuvėje, kurioje buvo nupirktas.

#### Įkroviklio naudojimas:

- Įkrovimui naudokite tik gamintojų rekomenduojamą įkroviklį. Kito tipo įkroviklio naudojimas sukelia gaisro pavojų.
- Draudžiama atidaryti arba atsukti įkroviklį.
- Įkroviklis skirtas naudojimui tik patalpose. Saugokite jį nuo vandens ir drėgmės poveikio.
- Kraukite temperatūroje nuo 15 iki 25 laipsnių.
- Negalima įdėti jokių metalinių elementų į įkrovimo agregatą.

#### **GRĘŽTUVO-SUKTUVO PASKIRTIS IR SANDARA:**

Akumuliatorinis gręžtuvas-suktuvas yra skirtas varžtams sukuti bei gręžti skylės medienoje, pliene, sintetinėse medžiagose ir pan.

Gręžtuvas-suktuvas yra skirtas tik mėgėjiškiems darbams. **Draudžiama naudoti prietaisą darbams reikalaujanties profesionalių prietaiso panaudojimo.**

Kiekvienas elektros prietaiso panaudojimas ne pagal paskirtį sukelia garantijos praradimą bei gamintojas tokiu atveju nėra atsakingas už patirtas žalas.

Bet kokios prietaiso modifikacijos padarytos naudotoju atleidžia gamintoją nuo atsakomybės už žalos patirtas tokiu atveju naudotoju bei aplinkiniams.

Nepaisant tinkamo prietaiso naudojimo negalima visiškai išvengti rizikos. Galimi rizikos atvejai:

- besisukandio darbo įrankio lietimas ranka arba rūbais, kontaktas su maitinimo laidu.
- apsišutinimas keičiant darbo įrankį. (Darbo metu darbo įrankis labai įkaista ir tam, kad išvengtų apsišutinio jo keitimo metu būtina naudoti apsaugines pirštines).
- apdorojamos medžiagos arba jos dalies atmetimas;
- darbo įrankio iškreivimas / lūžis.

#### ■ Komplektavimas

- Akumuliatorinis gręžtuvas-suktuvas - 1 vnt.
- Akumuliatorius - 1 vnt.
- Įkroviklis - 1 vnt.
- Darbo įrankių kompleksas:
  - magnetinis antgalių laikiklis 1/4"-1 vnt.
  - antgaliai - 6 vnt. (PH1, PH2, PZ1, PZ2, SL 5, SL 6)
  - grąžtai - 6 vnt. (1,5; 2,5; 3; 4; 5; 6mm)
- Dėžė transportui - 1 vnt.
- Garantinis lapas - 1 vnt.
- Naudojimo instrukcija - 1 vnt.

#### ■ Prietaiso elementai (žiūrėkite p. 2)

- Pav. A**
- Greitai užveržiamas gręžimo patronas (griebtas)
  - Sankabos reguliavimo rankenėlė
  - Akumuliatoriaus įkrovimo lygio indikatorius
  - Apsukimų krypties jungiklis

- Rankena
- Diržo sagtis-laikiklis
- Akumuliatorius
- Akumuliatoriaus blokavimo mygtukas
- Įjungimo / Išjungimo mygtukas
- Papildomas apšvietimas

**Pav.C** 11. Įkroviklis

**Pav.F** 12. Sankabos nustatymo rodyklė  
13. Pozicijos „gręžimas“ piktograma

**Pav.G** 14. Montavimo varžtas (kairysis)

#### **TECHNINIAI DUOMENYS:**

MODELIS	TFV12	TFV18
Maitinimo įtampa	DC 12 V	DC 18 V
Apsukimų greitis be apkrovos	0-700/min	
Griebtuvo kumštelių praskėtimo ribos	Ø 0,8-10 mm	
Svoris (su akumuliatoriumi)	1,030 kg	1,135 kg
Akustinio slėgio lygis (LpA)	81 dB(A)	
Akustinio pajėgumo lygis (LwA)	92 dB(A)	
Matavimo paklaida KpA, KwA	3 dB(A)	
Vibracijos lygis pagal EN 60745 normą (matavimo paklaida K=1,5 m/s <sup>2</sup> )	2,19 m/s <sup>2</sup>	
Akumuliatoriaus tipas	Li-ion	
Maitinimo įtampa	12V	18V
Akumuliatoriaus talpa	1500mAh	
Įkroviklis		
Maitinimo įtampa	100-240 V	
Tinklo dažnis	50/60 Hz	
Sunaudojamas pajėgumas	5W	8W
Išėjimo įtampa (DC)	15V/ 0,33A	21,5V/ 0,37A
Įkrovimo laikas	3-5 h	

Pateiktas virpesių lygis yra reprezentatyvus pagrindiniams prietaiso panaudojimams. Jeigu elektros prietaisas bus panaudotas kitiems tikslams arba su kitais papildomais darbo įrankiais bei jeigu nebus tinkamai prižiūrimas, virpesių lygis gali skirtis.

Pateiktos aukščiau priežastys gali padidinti vibracijų lygį darbo metu. Būtina panaudoti papildomas priemones, saugančias naudotoją nuo vibracijų pasekmių, pav.: prietaiso ir darbo įrankių priežiūra, veiksmų eilės nustatymas.

#### **PRIEŠ PRAEDANT DARBĄ:**

##### ■ Akumuliatoriaus įkrovimas

Suktuvas parduodamas su dalinai įkrautu akumuliatoriumi. Prieš naudojant, būtina įkrauti akumuliatorių iki pilno įkrovimo. Pirmas įkrovimas – ne mažiau nei 5 valandos.

- Paspauskite akumuliatoriaus fiksavimo mygtuką (8) ir išimkite akumuliatorių (7) iš gręžtuvo-suktuvo (žr. pav. B).
- Prijunkite akumuliatorių (7) prie įkroviklio (11) (žr. pav. C).
- Įjunkite įkroviklį į elektros lizdą 100-240V, 50/60Hz.

##### ■ Akumuliatoriaus įkrovimo rodyklė

Įkrovimo metu šviečia **raudonas** akumuliatoriaus diodas. Kai baterija visiškai įkrauta, raudonas diodas užges ir užsidegs **žalias** diodas.

Krovimo metu maitinimorovė automatiškai mažėja. Po maždaug 3 valandų maitinimorovė stabilizuojasi ties minimalu lygiu (palaikantis įkrovimas), dėl ko akumulatorius negali būti perkrautas ir pažeistas.

**Kai įkrovimas baigtas, išjunkite įkroviklį ir išimkite akumulatorių.**

Ličio jonų akumuliatorių galima įkrauti bet kuriuo metu ir baterijos naudojimo laikas nesutrumpėja. Taip pat dėl įkrovimo proceso nutraukimo akumuliatoriui negresia gedimas.

#### **DARBAS:**

##### **■ Jungimas/išjungimas**

Užmontuotas jungiklis (9) leidžia tolygiai reguliuoti apskimų greitį. Norėdami įjungti prietaisą, paspauskite paleidimo jungiklį. Apsukimų greitį galima didinti stipriau paspaudžiant jungiklį. Norėdami sustabdyti elektros įrangą, atlaisvinkite jungiklį.

##### **■ Akumulatoriaus įkrovos lygio indikatorius**

Akumulatoriaus įkrovos lygio indikatorius (3) signalizuoja baterijos įkrovos lygį, naudodamas du spalvotus LED diodus.

##### **Šviečia žalias LED diodas:**

Akumuliatorių yra visiškai įkrautas.

##### **Šviečia žalias ir raudonas LED diodas:**

Akumuliatorių yra pakankamai įkrautas.

##### **Šviečia tik raudonas LED diodas:**

Akumuliatorių išsikrovęs, reikia jį įkrauti.

##### **■ Apsukimų krypties pasirinkimas (žr. pav. E)**

Gręžtuvas-suktuvas gali dirbti pagal laikrodžio rodyklės (dešinėje apskimai) arba priešingai laikrodžio rodyklėms (kairieji apskimai):

- norėdami pasirinkti apskimus į dešinę, pastumkite krypties apskimo jungiklį (4) į kairę (žiūrint iš galo),
- norėdami pasirinkti apskimus į kairę, pastumkite krypties apskimo jungiklį (4) į dešinę (žiūrint iš galo).

Kai krypties apskimo jungiklis yra viduryje, jungiklis yra užblokuotas.

Atliekant gręžimą arba įsukant varžtus nustatykite dešininis apskimus. Jeigu norite ištraukti įstrigusį grąžtą arba išsukti varžtus, nustatykite kairiuosius apskimus.

##### **■ Apsukimų momento pasirinkimas (žr. pav. F)**

Suktuvas turi sankabos reguliavimo rankenėlę (2), leidžianti nustatyti apskimų momentą įsukant varžtus. Rankenėlės žiede pažymėtos 22 pozicijų, nuo 1 iki 21 bei gręžimo pozicija.

Kai parenkama vieną iš pozicijų (nuo 1 iki 21), nustatomas atitinkamas sankabos apskimų momentas. Leidžia tai išvengti pernelgų gilaus varžtų įsukimo, saugo varžtus nuo sugadinimo. Įvairiems varžtams ir įvairioms medžiagoms naudojami skirtingi apskimų momentai.

Visada pradėkite su nedideliu apskimo momento ir didinkite jį palaipsniui, kol pasieksite patenkinamą rezultatą.

Norėdami gręžti metale, medienoje ir sintetinėse medžiagose rankenėlę (2) nustatykite taip, kad žymeklis (12) atitiktų simboliui (13).

##### **■ Patrono keitimas (žr. pav. G)**

1. Atjunkite akumuliatorių (7) nuo gręžtuvo.
2. Maksimaliai atsukite patroną (1).
3. Suktuvu PH 2 (Philips Nr. 2) pagal laikrodžio rodyklės atsukite patrono montavimo varžtą (14) (**DĖMESIO! Kairysis varžtas**). Įstrigusį varžtą galima atlaisvinti lengvais smūgiais į galvutę.

4. Prilaukykite apatinį patrono žiedą (artimesnis korpusui) ir atsukite patroną, sukant prieš laikrodžio rodyklės (nuo patrono pusės).

**DĖMESIO:** Jeigu užstrigo gręžimo patronas (1), atlaisvinkite jį montuojant trumpesnėje imbusinio rakto pusėje ir trenkite į ilgesnę imbusinio rakto pusę (žiūrėkite pav. D).

5. Patroną uždekite ant verpsto pagal laikrodžio rodyklės ir užsukite montavimo varžtą, naudokite suktuvą PH 2 (Philips Nr. 2); sukite jį prieš laikrodžio rodyklės. Kad patronas nesisuktų įsukant suveržimo varžtą, reikia palaukti griebtuvą už apatinio žiedo (arčiau gręžtuvo-suktuvo korpuso).

##### **■ Papildomi elementai**

- Praktiška sagtis-laikiklis (6) yra skirta gręžtuvui-suktuvui prikibanti prie varotojo diržo, tinka tiek dešiniarankiams, tiek kairiarankiams.
- Suktuvas įrengtas gręžimo/sukimo vietos pagalbiniu apšvietimu (10), kuris įjungiamas nuspaudus jungiklį (9).

##### **■ Darbo įrankių keitimas**

**DĖMESIO:** Atjunkite akumuliatorių nuo gręžtuvo ir nustatykite apskimų krypties jungiklį (4) vidurinėje pozicijoje tam, kad neprileisti prie atsitiktinio prietaiso įjungimo, kas gali būti kūno sužalojimo priežastimi.

Kai jungiklis (9) atlaisvinamas, blokuojamas gręžtuvo velenas. Leidžia tai greitai ir patogiai pakeisti darbo įrankį gręžtuvo griebtuve. Norėdami išimti grąžtą (arba darbo įrankio antgalį) iš griebtuvo sukite griebtuvo žiedą į kairę (sukant į kairę didėja griebtuvo anga). Norėdami įdėti grąžtą (arba darbo įrankio antgalį) į griebtuvą sukite griebtuvo žiedą į dešinę (sukant į dešinę grąžtas užspaudžiamas griebtuve). Grąžtą (arba kitą darbo antgalį) reikia įdėti į griebtuvą iki galo.

##### **■ Skylių gręžimas**

1. Jeigu anga turi būti gyli, gręžkite ją etapais. Iš karto išgręžkite tam tikrą gyli ir išimkite grąžtą tam, kad išeitų drožlės ir vėl tęskite gręžimą.
2. Jeigu yra gręžiama didelio skersmens angą, rekomenduojama pradėti nuo mažesnio skersmens ir didinti jį. Tokiu būdu gręžtuvas nebus perkrautas.
3. Jeigu gręžimo metu grąžtas įstringa, nedelsiant išjunkite prietaisą. Po to naudodami apskimų krypties keitimo funkciją išimkite grąžtą iš angos.
4. Gręžtuvą laikykite gręžiamos angos ašyje. Grąžtas turi būti laikomas stačiu kampu apdorojamos medžiagos atžvilgiu. Jeigu kampas nėra stačias, grąžtas gali užstrigti arba lūžti angoje bei sužaloti naudotoją. Verpsto rotacinio greičio reguliavimas atliekamas nuspaudžiant jungiklį tinkama jėga.

##### **■ Varžtų įsukimas**

Vietoje, kurioje turi būti įsuktas varžtas iš pradžių rekomenduojama išgręžti angą, kurios skersmuo yra mažesnis negu varžo, o ilgis truputi didesnis. Jeigu varžtas yra arti medžiagos krašto, angos gręžimas saugo nuo atplaišų susidarymo.

Jeigu yra sunku įsukti varžtą į pageidaujama gyli, tai išsukite varžtą ir pagilinkite angą.

Jeigu ir toliau yra sunku įsukti varžtą (gali būti kietos medienos atvejais), pabandykite panaudoti tepimo medžiagą (pav. skystą muilą). Būtina spausti suktuvą su tam tikrą jėgą tam, kad suktuvas nesisuktų varžto galvutės atžvilgiu. Naudokite suktuvų antgalius tinkamos varžtų dydžiui. Jeigu varžto galvutės gedimas gali apunkinti varžo įsukimą arba išsukimą.

### LAIKYMAS IR PRIEŽIŪRA:

Prietaisas beveik nereikalauja specialios priežiūros. Gręžtuvą laikykite nepasiekiamoje vaikams, švarioje vietoje, saugokite nuo drėgmės bei dulkių. Laikymo sąlygos turi užtikrinti saugumą nuo mechaninių pažeidimų bei oro sąlygų poveikio.

**DĖMESIO:** Atliekant valymo bei remonto darbus visada atjunkite akumuliatorių nuo prietaiso ir išimkite įkrautuvo kištuką iš elektros lizdo.

Įkroviklį valykite tik sausu skudurėliu.

Reguliariai valykite ventiliacines angas, naudojant tam sausą šepetėlį arba žemo slėgio suslėgtą orą.

Prietaiso korpusą reguliariai valykite drėgnu skudurėliu su muilu. Draudžiama naudoti valymo priemonės arba tirpiklius, nes gali jie pažeisti prietaiso dalis pagamintas iš sintetinių medžiagų. Į prietaiso vidų negali patekti vanduo. Po valymo palaukite kol sutuvas bus visiškai sausas.

### TRANSPORTAS:

Elektros prietaisą transportuokite ir laikykite specialiai tam skirtoje dėžėje, saugančioje nuo drėgmės, dulkių ir smulkių objektų įsiskverbimo, ypač saugokite ventiliacines angas. Smulkūs elementai, patenkantys į korpusą gali pažeisti variklį.

### GAMINTOJAS:

PROFIX Sp. z o.o.;

Marywilska 34,

03-228 Varšuva, Lenkija

Šis prietaisas atitinka šalies bei Europos reikalavimus bei visus saugos reikalavimus.

Prietaiso remontą gali atlikti tik kvalifikuotas personalas, naudojant tik originalias atsargines dalis.

### APLINKOS APSAUGA:



**DĖMESIO:** Pateiktas simbolis reiškia, kad panaudotas prietaisas draudžiama išmesti kartu su kitomis atliekomis (už pažeidimą gresia piniginė bauda). Panaudoti elektros prietaisai bei elektroninės dalys ir komponentai turi neigiamą poveikį aplinkai ir žmonių sveikatai.

Namų ūkis turėtų prisidėti prie panaudotos įrangos utilizavimo bei pakartotino medžiagų panaudojimo (perdirbimo). Lenkijoje ir Europoje yra kuriama arba jau veikia panaudotos įrangos surinkimo sistema. Todėl visi paminėtos įrangos pardavimo taškai yra įpareigoti priimti panaudotą įrangą. Be to yra specialūs panaudotos įrangos priėmimo taškai.

### PIKTOGRAMAI:

Paveikslėlių esančių prietaiso firminėje lentelėje ir informaciniuose lipdukuose paaiškinimas.



– «Prieš įjungdami perskaitykite naudojimo instrukciją!»



– «Visada dėvėkite apsauginius akinius!»



– «Naudokite klausos apsaugos priemones!»

### TIPIŠKI GEDIMAI IR JŲ ŠALINIMAS:

PROBLEMA	SPĖJAMA PRIEŽASTIS	PROBLEMOS SPRENDIMAS
Gręžtuvas-sutuvas neveikia.	Elektros maitinimo stoka, gedo variklis arba paleidimo jungiklis.	Patikrinti baterijos būklę bei jeigu reikia, pakeisti ją. Jeigu elektros prietaisas toliau neveikia, nuvežkite jį į techninio aptarnavimo servisą (adresas nurodytas garantiniame lape).
Variklis blogai veikia.	Išsikrovę baterija.	Įkrauti bateriją.
	Anglies šepetėliai susidėvėję.	Pakeisti anglies šepetėlius serviso punkte.



PROFIX įmonė siekia tobulinti savo produktus, todėl gali keistis produktų specifikacijos. Apie žiūs pasikeitimus įmonė nėra įpareigota nepranešti. Paveikslėliai esantis aptarnavimo instrukcijoje tai tik pavyzdžiai bei gali skirtis nuo nusipirkto prietaiso.

Ši instrukcija yra apsaugojama autoriaus teise. Kopijavimas/plėtojimas be PROFIX Sp. z o.o. leidimo raštu draudžiamas.

DT-C2/d\_zg/0265/06.2016

Łomna Las: 2016-06-28

(GB) EC/EU DECLARATION OF CONFORMITY  
(PL) DEKLARACJA ZGODNOŚCI WE/UE  
(RO) DECLARAȚIE DE CONFORMITATE CE/UE

(LV) EK/ES ATBILSTĪBAS DEKLARĀCIJA  
(LT) EB/ES ATITIKTIES DEKLARACIJA  
(CZ) ES/EU PROHLÁŠENÍ O SHODĚ

(HU) EK/EU-MEGFELELŐSÉGI NYILATKOZATA

(GB) MANUFACTURER (PL) PRODUCENT (RO) PRODUCĂTOR (LV) RAŽOTĀJS (LT) GAMINTOJAS (CZ) VÝROBCE (HU) GYÁRTÓ

**PROFIX Sp. z o.o. ul. Marywińska 34, 03-228 Warszawa**

(GB) Person who was authorized to develop technical documentation:  
(PL) Osoba upoważniona do przygotowania dokumentacji technicznej:  
(RO) Persoana împuternicită pentru pregătirea documentației tehnice:  
(LV) Persona atbildīga par tehniskās dokumentācijas sagatavošanu:

(LT) Asmuo įgaliojotas parengti techninę dokumentaciją:  
(CZ) Osoba oprávněna připravit technickou dokumentaci:  
(HU) Műszaki dokumentáció elkészítésére meghatalmazott személy:

**Mariusz Rotuski, Centrum Dystrybucyjno-Handlowe PROFIX, ul. Dobra 3, Łomna Las, 05-152 Czosnów**

(GB) Cordless Drill/Screwdriver (PL) Wiertarko - wkrętarka akumulatorowa (RO) Mașină de găurit și înșurubat cu acumulator (LV) Akumulatora urbmašina - skrūvgrēzijs (LT) Akumulatorinis gręžtuvas-suktuvas (CZ) Akumulátorový vrtací šroubovák (HU) Akkumulátoros fűrés- és csavarozógép

**TRYTON TFV12**

ML-CD92-120

12 V d.c.; n<sub>r</sub>: 0-700 /min; ø10

**TRYTON TFV18**

ML-CD92-180

18 V d.c.; n<sub>r</sub>: 0-700 /min; ø10

**TRYTON TFV18B2**

ML-CD92-180S

18 V d.c.; n<sub>r</sub>: 0-400/0-1500 /min; ø10

S1604 .....-S1739

(GB) The object of the declaration described above is in conformity with the relevant Union harmonisation legislation, meet essential requirement included into the following Directives of the European Parliament and the Council: (PL) Wymieniony powyżej przedmiot niniejszej deklaracji jest zgodny z odnośnymi wymaganiami unijnego prawodawstwa harmonizacyjnego, spełnia wymagania określone w dyrektywach Parlamentu Europejskiego i Rady: (RO) Obiectul declarației descris mai sus este în conformitate cu legislația relevantă de armonizare a Uniunii, îndeplinește cerințele definite de directivele Parlamentului European și a Consiliului Europei: (LV) Iepriekš aprakstītais deklarācijas priekšmets atbilst attiecīgajam Savienības saskaņošanas tiesību aktam (LT) Pirmiau aprašytas deklaracijos objektas atitinka susijusius derinamosius Sąjungos teisės aktus, atitinka Europos Parlamento bei Europos Tarybos direktyvų reikalavimus: (CZ) Výše popsaný předmět prohlášení je ve shodě s příslušnými harmonizačními právními předpisy Unie, splňuje požadavky uváděné ve směrnících Evropského parlamentu a Rady: (HU) A fent ismertetett nyilatkozat tárgya megfelel a vonatkozó uniós harmonizációs jogszabálynak, megfelel az Európai Parlament és Tanács irányelveiben meghatározott követelményeknek:

(GB) 2006/42/EC; 2014/30/EU; 2011/65/EU of the European Parliament and of the Council of 8 June 2011 on the restriction of the use of certain hazardous substances in electrical and electronic equipment;

(PL) 2006/42/WE; 2014/30/UE; 2011/65/UE z dnia 8 czerwca 2011 r. w sprawie ograniczenia stosowania niektórych niebezpiecznych substancji w sprzęcie elektrycznym i elektronicznym;

(RO) 2006/42/CE; 2014/30/UE; 2011/65/UE a Parlamentului European și a Consiliului din 8 iunie 2011 privind restricțiile de utilizare a anumitor substanțe periculoase în echipamentele electrice și electronice;

(LV) 2006/42/EK; 2014/30/ES; 2011/65/ES (2011. gada 8. jūnijs) par dažu bīstamu vielu izmantošanas ierobežošanu elektriskās un elektroniskās iekārtās;

(LT) 2006/42/EB; 2014/30/ES; 2011/65/ES 2011 m. birželio 8 d. dėl tam tikrų pavojingų medžiagų naudojimo elektros ir elektroninėje įrangoje apribojimo;

(CZ) 2006/42/ES; 2014/30/EU; 2011/65/EU ze dne 8. června 2011 o omezení používání některých nebezpečných látek v elektrických a elektronických zařízeních;

(HU) 2006/42/EK; 2014/30/EU; 2011/65/EK irányelve (2011. június 8.) egyes veszélyes anyagok elektromos és elektronikus berendezésekben való alkalmazásának korlátozásáról;

(GB) and have been manufactured in accordance with the standards:

(PL) oraz zostały(y) wyprodukowane(y) zgodnie z normą(ami):

(RO) și au fost produse conform normelor:

(LV) un tika izgatavoti atbilstoši normām:

(LT) bei yra pagamintas pagal normas:

(CZ) a byla(y) vyrobená(y) podle normy(em):

(HU) és gyártása(uk) az alábbi szabvány(ok)nak megfelelően történt:

EN 60745-1:2009+A11:2010 EN 60745-2-1:2010 EN 60745-2-2:2010 EN 55014-1:2006+A1:2009+A2:2011 EN 55014-2:1997+A1:2001+A2:2008  
IEC 62321:2008

**Mariusz Rotuski**

*Pelnomoćnik Zarządu ds. Certyfikacji*

(GB) This declaration of conformity is issued under the sole responsibility of the manufacturer. (PL) Niniejsza deklaracja zgodności wydana zostaje na wyłączną odpowiedzialność producenta. (RO) Prezenta declarație de conformitate este emisă pe răspunderea exclusivă a producătorului. (LV) Šī atbilstības deklarācija ir izdota vienīgi uz šāda ražotāja atbildību. (LT) Ši atitikties deklaracija išduota tik gamintojo atsakomybe. (CZ) Toto prohlášení o shodě vydal na vlastní odpovědnost výrobce. (HU) E megfelelősegi nyilatkozat a gyártó kizárólagos felelősségére kerül kibocsátásra.





**NOTES:**

A series of horizontal lines for writing, starting from the line immediately following the 'NOTES:' header and extending down to the bottom of the page.

